



US00D754780S

(12) **United States Design Patent**
Esarey et al.

(10) **Patent No.:** **US D754,780 S**
(45) **Date of Patent:** **** Apr. 26, 2016**

(54) **MOUNTING DEVICE**

- (71) Applicant: **Industrial Revolution, Inc.**, Tukwila, WA (US)
- (72) Inventors: **Graeme Esarey**, Seattle, WA (US); **Stephen Padden**, Ventura, CA (US); **Lee Rawls**, Woodinville, WA (US)
- (73) Assignee: **Industrial Revolution, Inc.**, Tukwila, WA (US)
- (**) Term: **14 Years**
- (21) Appl. No.: **29/478,399**
- (22) Filed: **Jan. 3, 2014**
- (51) **LOC (10) Cl.** **16-05**
- (52) **U.S. Cl.**
USPC **D16/244**; D16/242
- (58) **Field of Classification Search**
USPC D16/219, 237, 239, 240–244;
D14/203.4, 250–253, 345, 440, 449
CPC G03B 15/041–15/0436; G03B
17/561–17/568; G03B 21/20–21/2066
See application file for complete search history.

(56) **References Cited**

U.S. PATENT DOCUMENTS

D267,252 S	*	12/1982	Quinn	D16/240
D357,267 S	*	4/1995	Yotsuya	D16/244
D357,493 S	*	4/1995	Yotsuya	D16/244
D383,475 S	*	9/1997	Yamauchi et al.	D16/202
D445,123 S	*	7/2001	Shen	D16/244
D532,436 S	*	11/2006	Kruse et al.	D16/244
D664,182 S	*	7/2012	Braunstein et al.	D16/244
D714,775 S	*	10/2014	Yoo et al.	D14/253
D717,360 S	*	11/2014	Chun	D16/244
D718,365 S	*	11/2014	Kim et al.	D16/244
D719,604 S	*	12/2014	Palmer	D16/244
D723,091 S	*	2/2015	Hale	D16/244

OTHER PUBLICATIONS

UltraPod GO. [online] Retrieved May 18, 2015 from URL: <http://www.industrialrev.com/ultrapod-go.html>.*

* cited by examiner

Primary Examiner — Susan Bennett Hattan

Assistant Examiner — Vy N Koenig

(74) *Attorney, Agent, or Firm* — David Chen; DWC Law Firm, P.S.

(57) **CLAIM**

The ornamental design for a mounting device, as shown and described.

DESCRIPTION

FIG. 1 is a perspective view of a mounting device of the claimed invention, showing the legs of the tripod being folded inward within the trough of the mounting device.

FIG. 2 is a top plan view of the mounting device of FIG. 1.

FIG. 3 is a bottom plan view of the mounting device of FIG. 1.

FIG. 4 is a right side elevation view of the mounting device of FIG. 1.

FIG. 5 is a left side elevation view of the mounting device of FIG. 1.

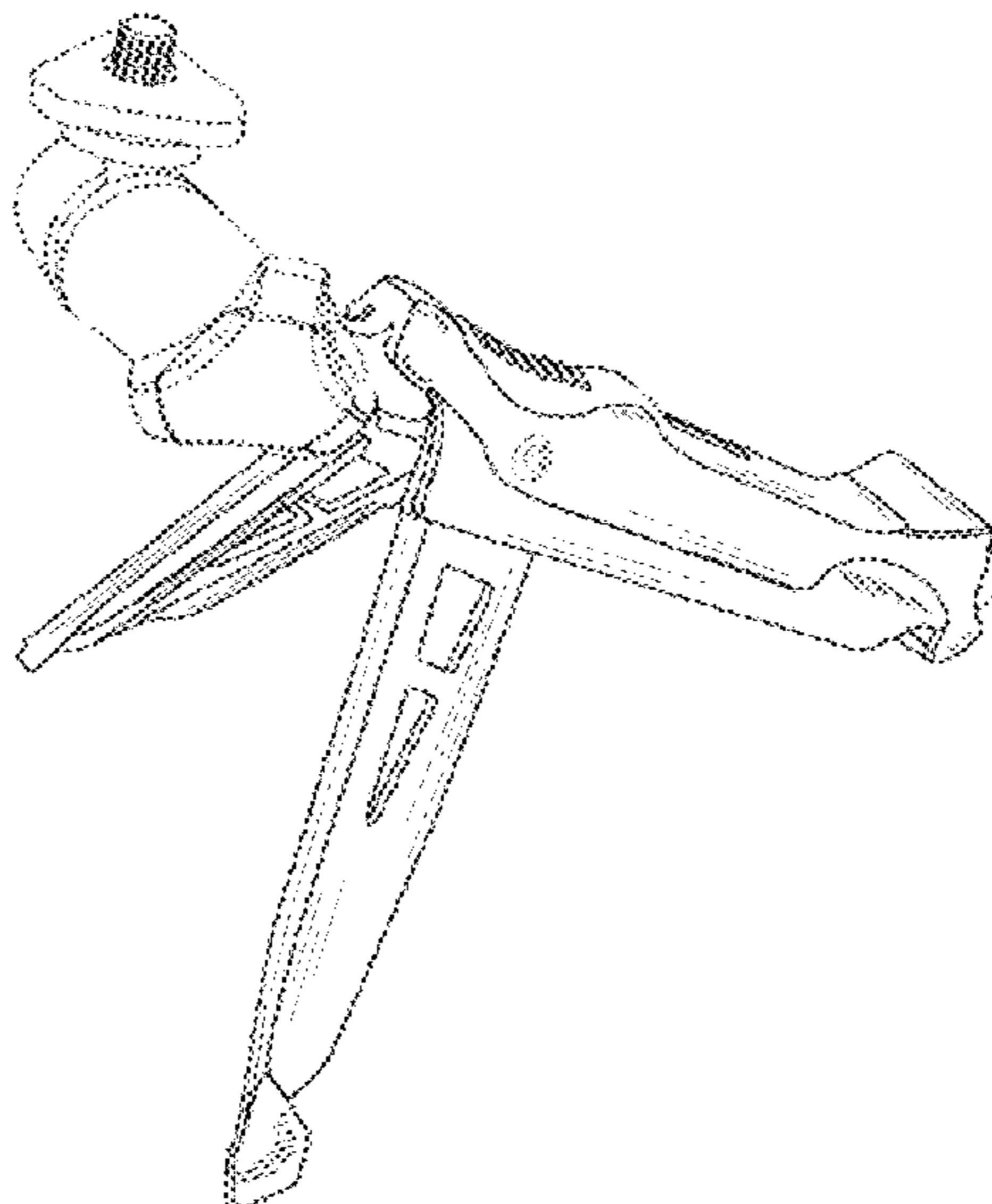
FIG. 6 is a front side elevation view of the mounting device of FIG. 1.

FIG. 7 is a back side elevation view of the mounting device of FIG. 1; and,

FIG. 8 is a perspective view of a mounting device of the claimed invention, showing the legs of the tripod extended.

The broken lines are for illustrative purposes only and form no part of the claimed design.

1 Claim, 8 Drawing Sheets



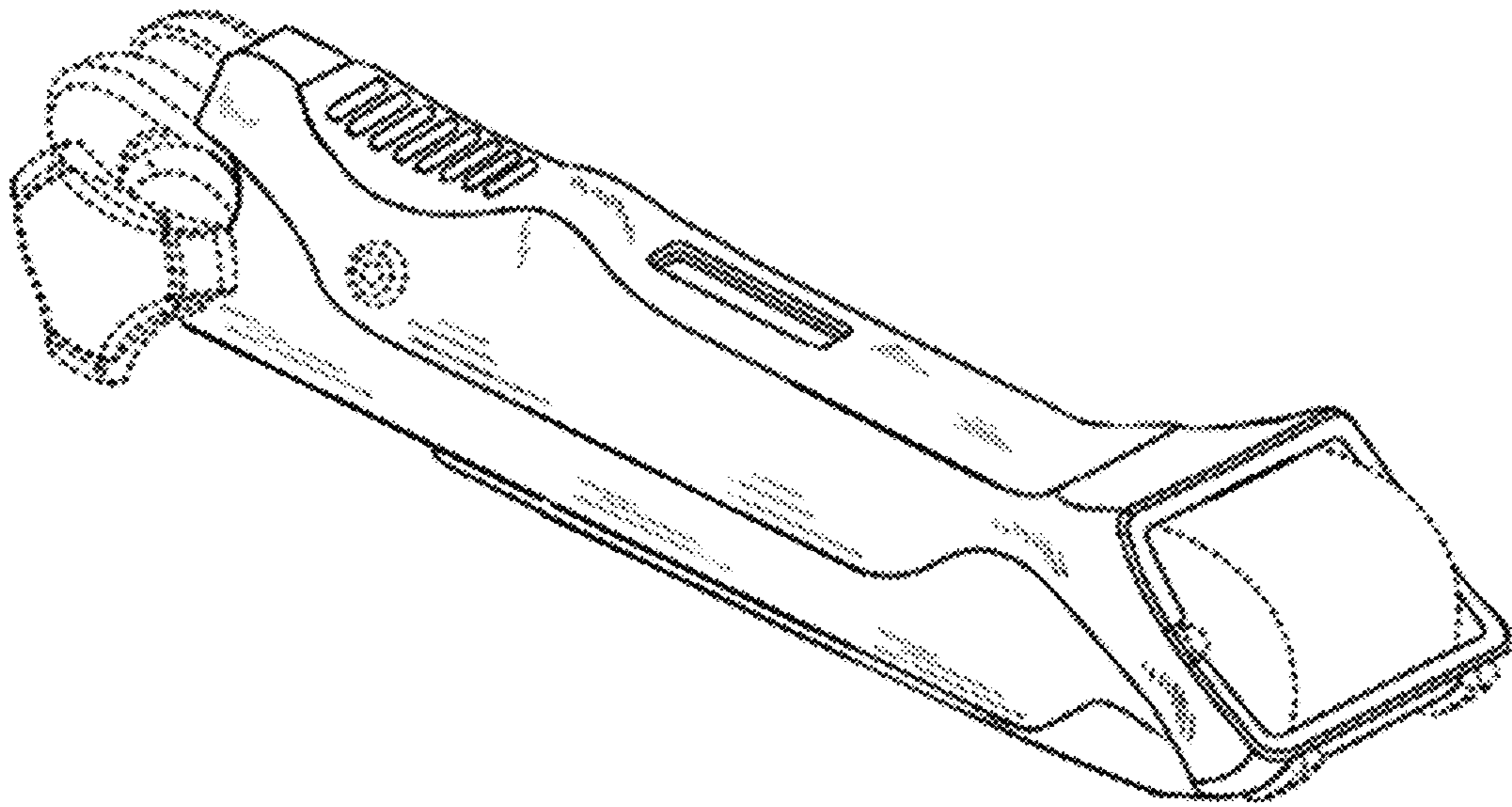


FIG. 1

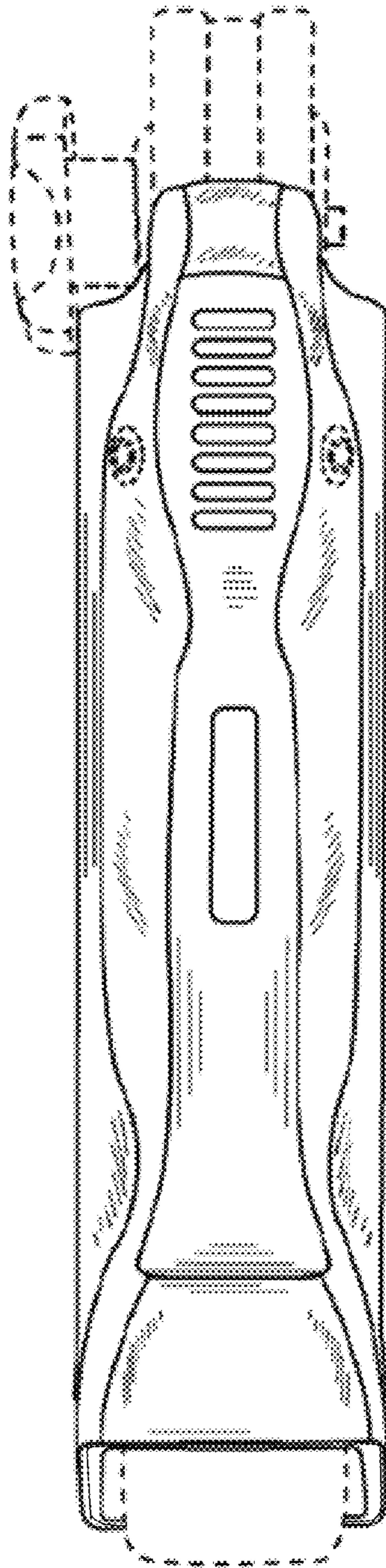


FIG. 2

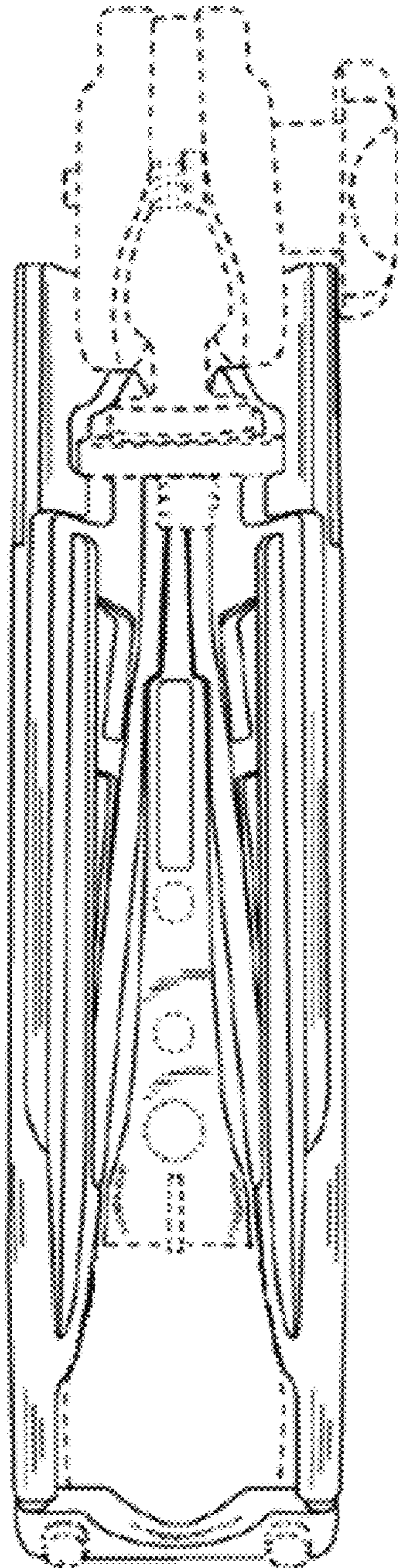


FIG. 3

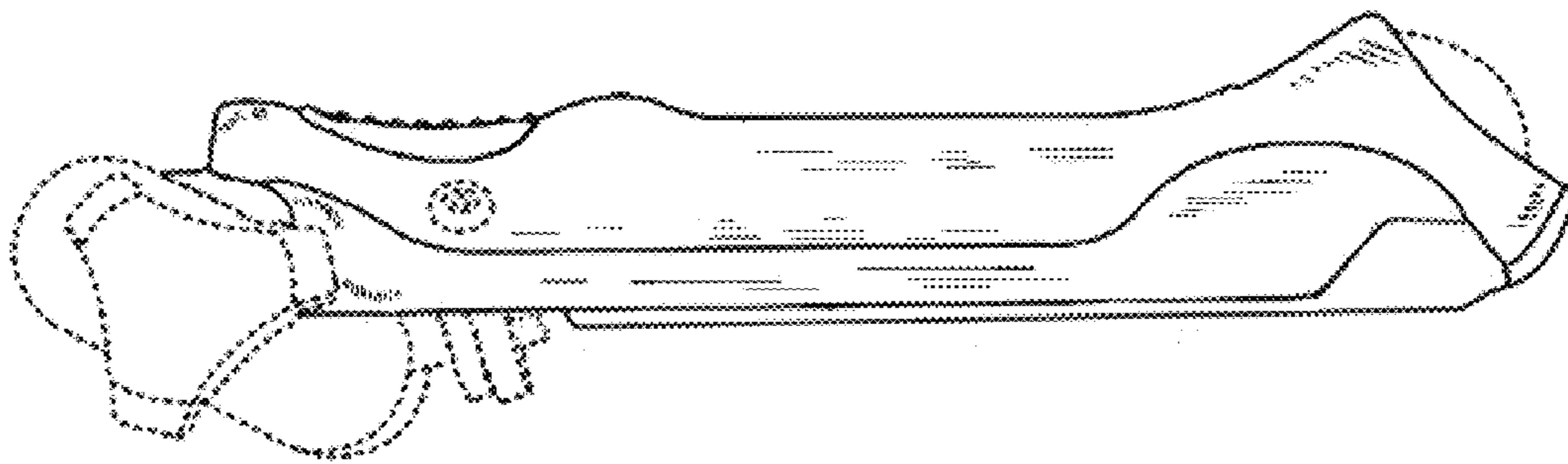


FIG. 4

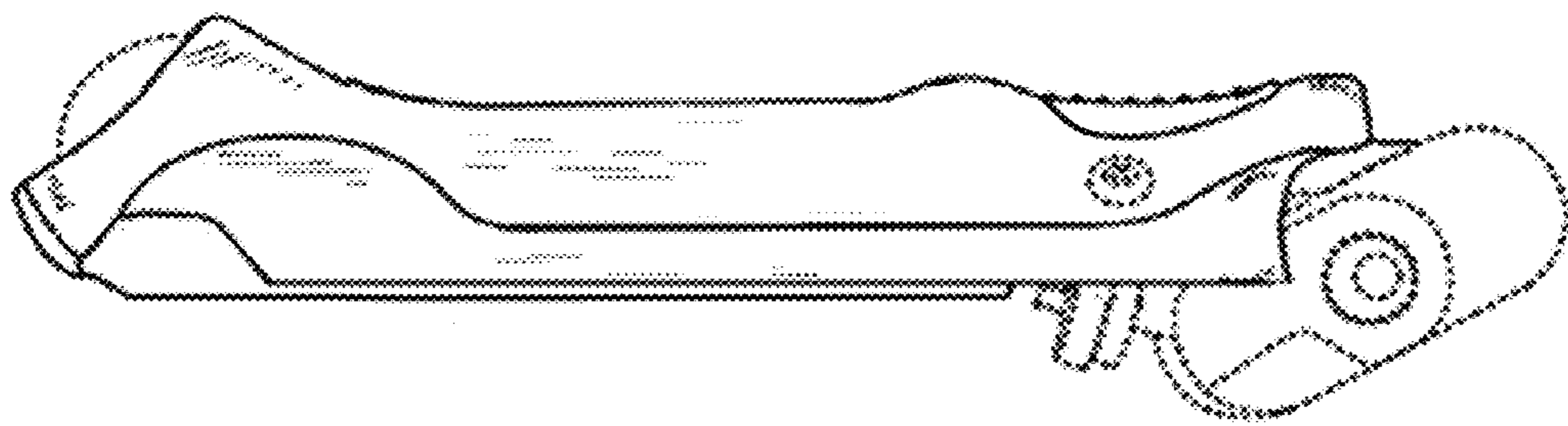


FIG. 5

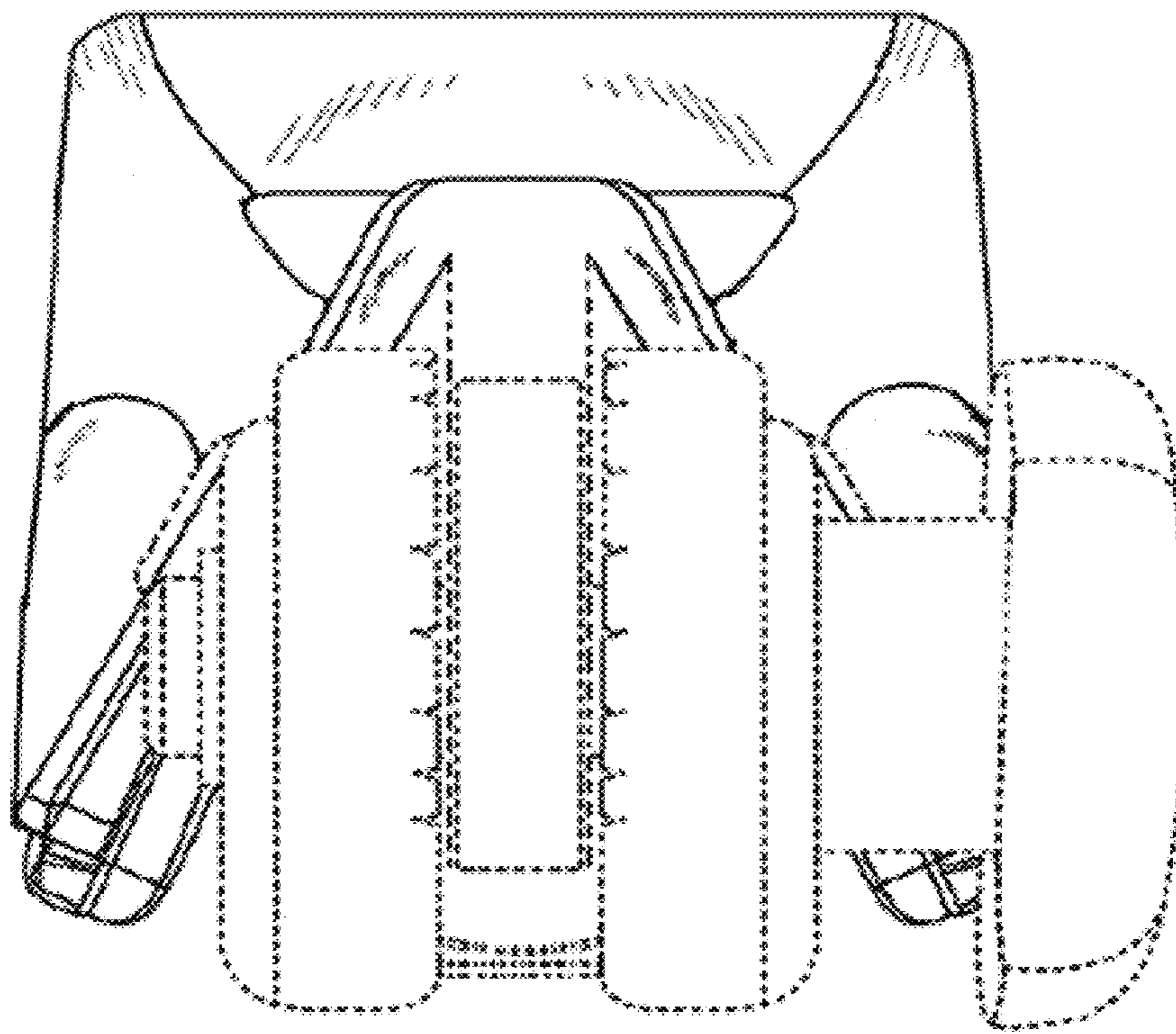


FIG. 6

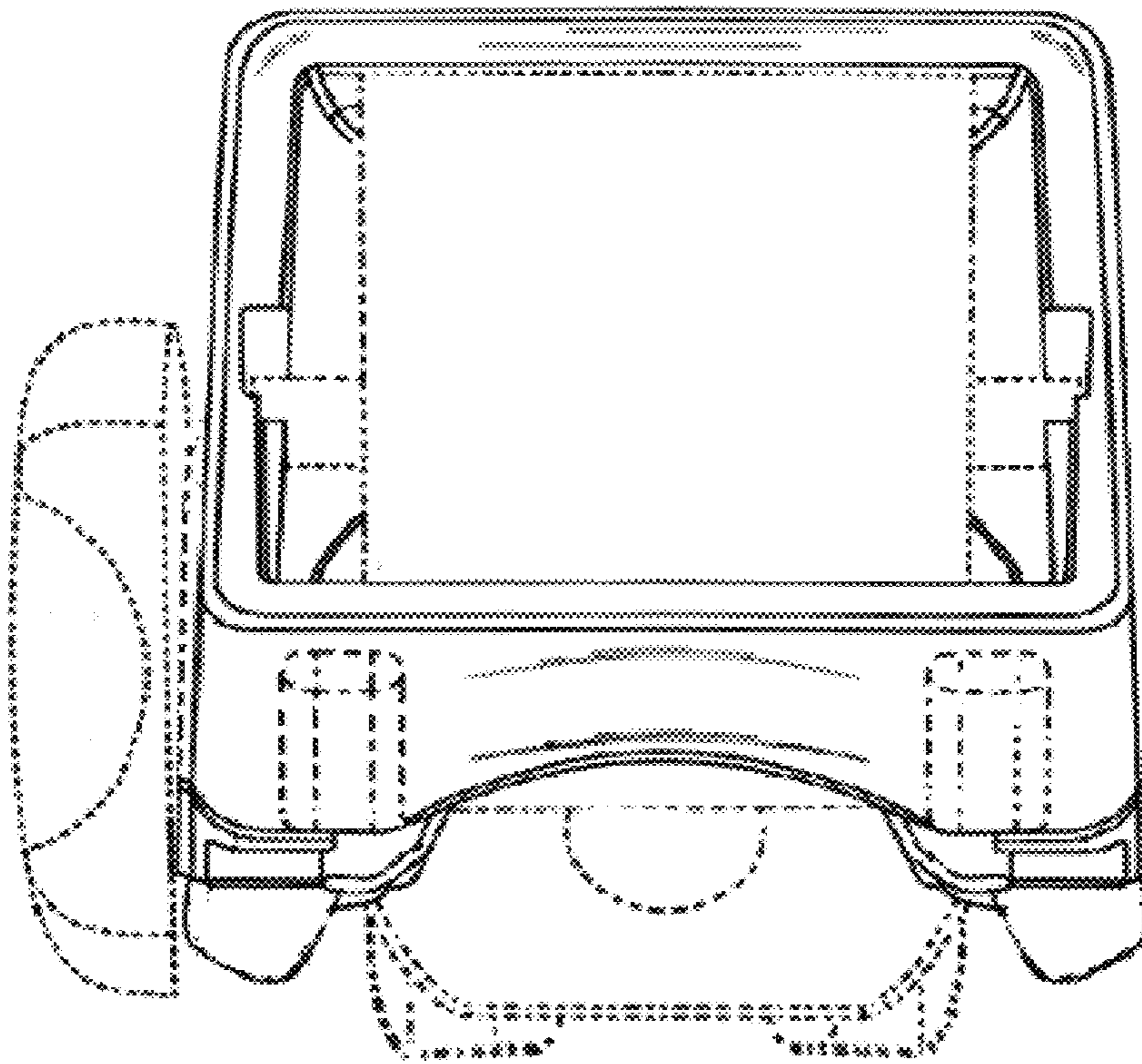


FIG. 7

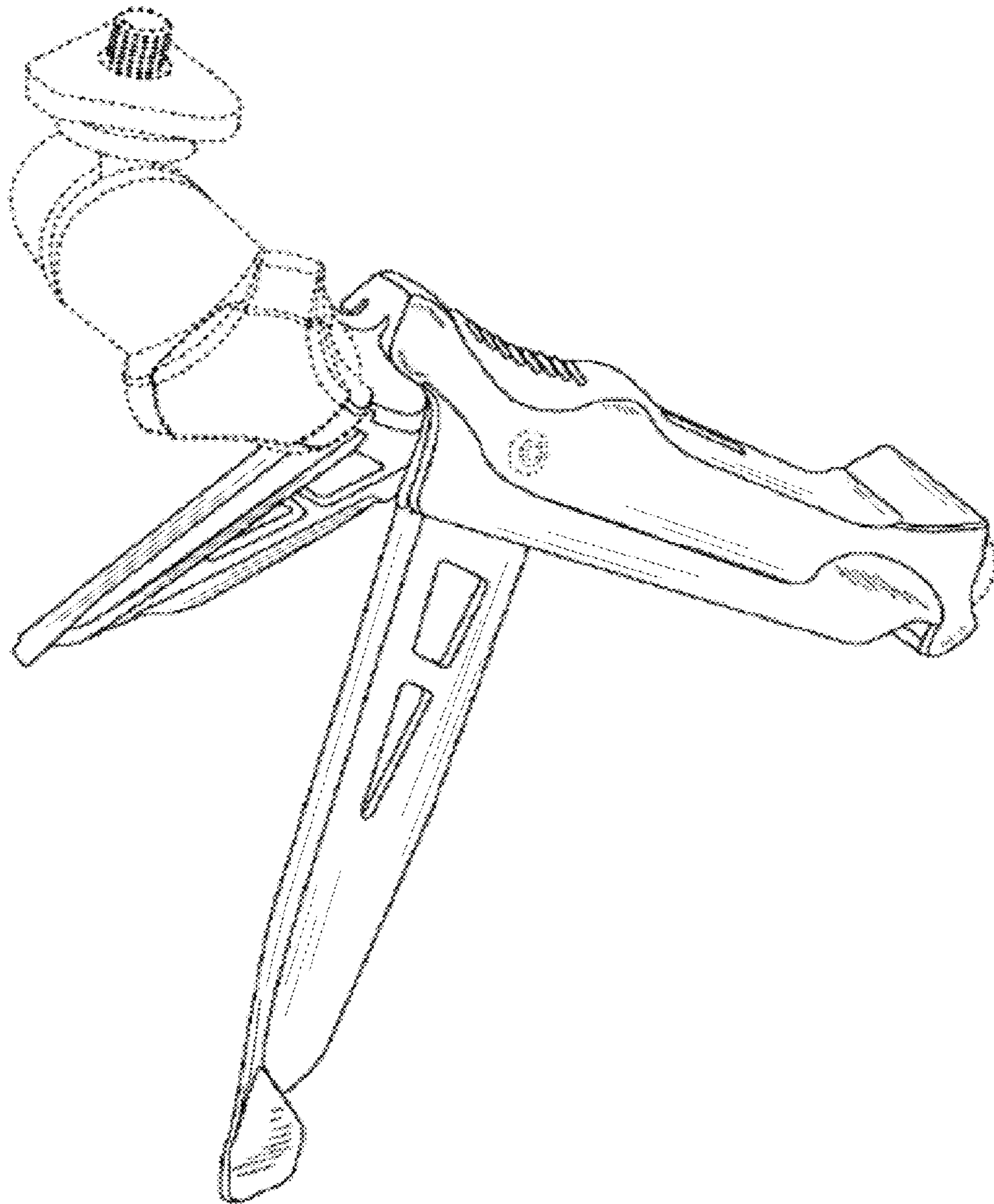


FIG. 8