



US00D754776S

(12) **United States Design Patent**  
**Bellows et al.**

(10) **Patent No.:** **US D754,776 S**  
(45) **Date of Patent:** **\*\* Apr. 26, 2016**

(54) **MOUNTING ADAPTER PLATE**

(71) Applicant: **SYMBOL TECHNOLOGIES, INC.**,  
Schaumburg, IL (US)

(72) Inventors: **David E. Bellows**, Wantagh, NY (US);  
**Kang Pin Tee**, Brooklyn, NY (US)

(73) Assignee: **Symbol Technologies, LLC**, Holtsville,  
NY (US)

(\*\*) Term: **14 Years**

(21) Appl. No.: **29/498,218**

(22) Filed: **Aug. 1, 2014**

(51) **LOC (10) Cl.** ..... **16-05**

(52) **U.S. Cl.**  
USPC ..... **D16/242**

(58) **Field of Classification Search**  
USPC ..... D16/242, 219, 235, 237, 245; D8/349,  
D8/354, 394  
CPC .... G03B 17/561; G03B 17/00; G03B 17/568;  
G03B 17/02; G03B 17/48; G03B 17/56;  
G03B 17/563; G03B 17/566; G03B 21/132;  
G03B 21/14; G03B 21/145; G03B 2217/002;  
G03B 17/08; G03B 37/02; G03B 15/00;  
G03B 15/006; G03B 15/03; G03B 17/12;  
G03B 11/00

See application file for complete search history.

(56) **References Cited**

U.S. PATENT DOCUMENTS

D560,669 S \* 1/2008 Muday et al. .... D14/451  
D624,578 S \* 9/2010 Smith ..... D16/235  
D649,998 S \* 12/2011 Huang ..... D16/235  
D653,523 S \* 2/2012 Wackwitz et al. .... D8/354

OTHER PUBLICATIONS

Notice of Grant of Patent Right for Design mailed Jun. 29, 2015 in  
counterpart China application 201530024050.9.

\* cited by examiner

*Primary Examiner* — Ian Simmons  
*Assistant Examiner* — Khawaja Anwar

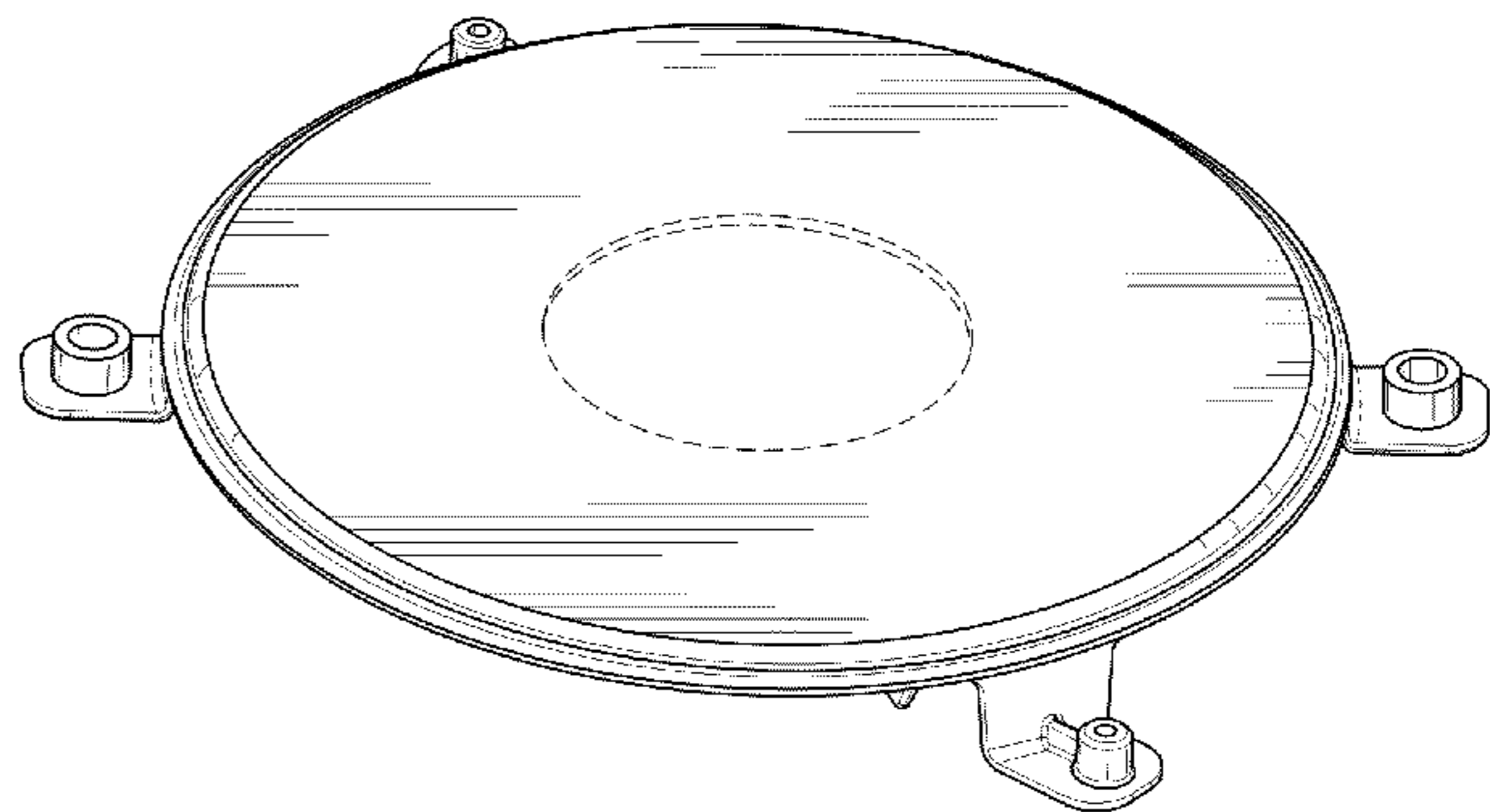
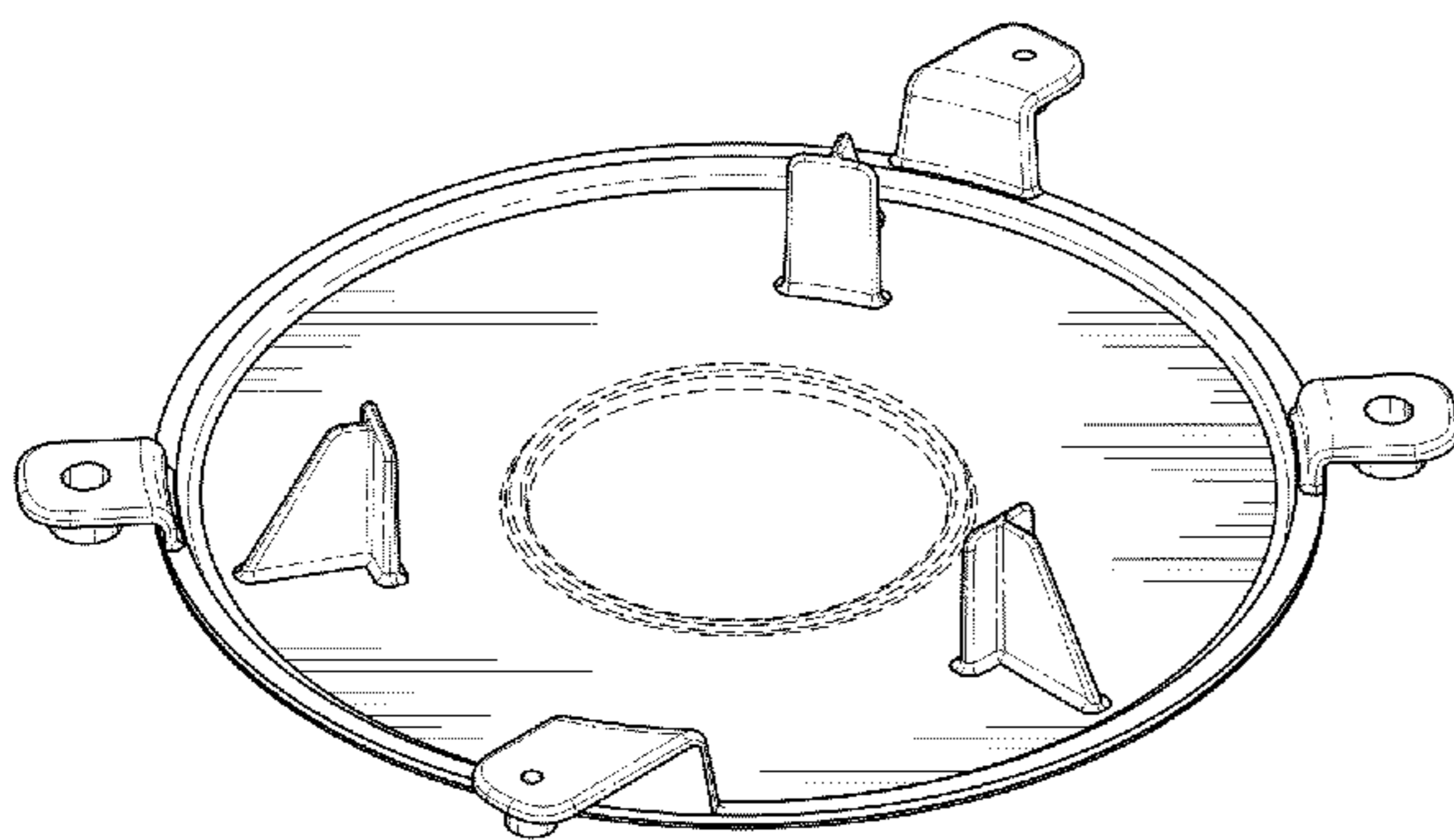
(57) **CLAIM**

The ornamental design for a mounting adapter plate, as  
shown and described.

**DESCRIPTION**

FIG. 1 is a top perspective view of a mounting adapter plate,  
showing our new design;  
FIG. 2 is a bottom perspective view thereof;  
FIG. 3 is a top view thereof;  
FIG. 4 is a bottom view thereof;  
FIG. 5 is a first side view thereof;  
FIG. 6 is a second side view thereof;  
FIG. 7 is a third side view thereof; and,  
FIG. 8 is a fourth side view thereof.  
The broken line in the figure drawings represents unclaimed  
environment only and forms no part of the claimed design.

**1 Claim, 3 Drawing Sheets**



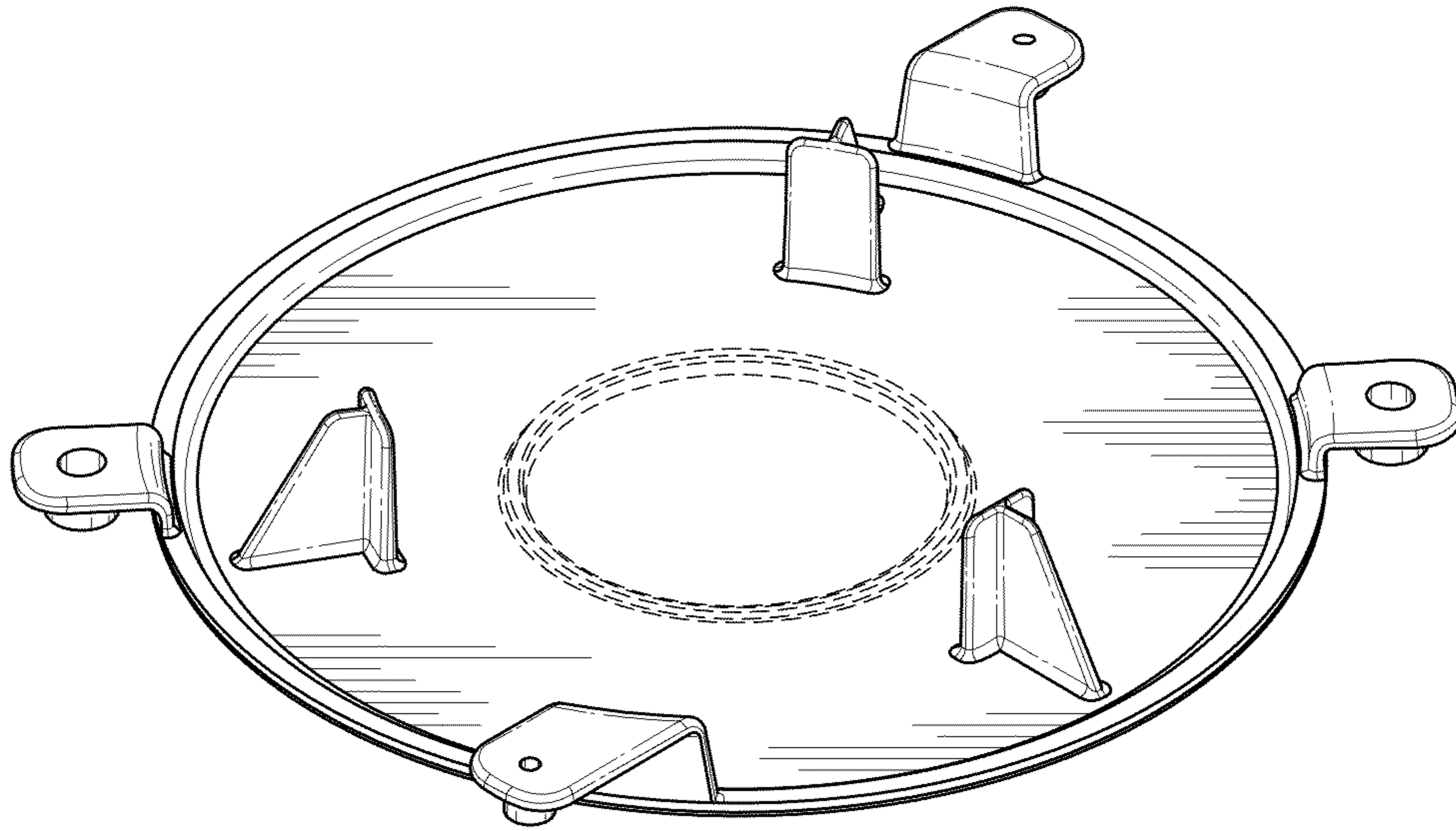


FIG. 1

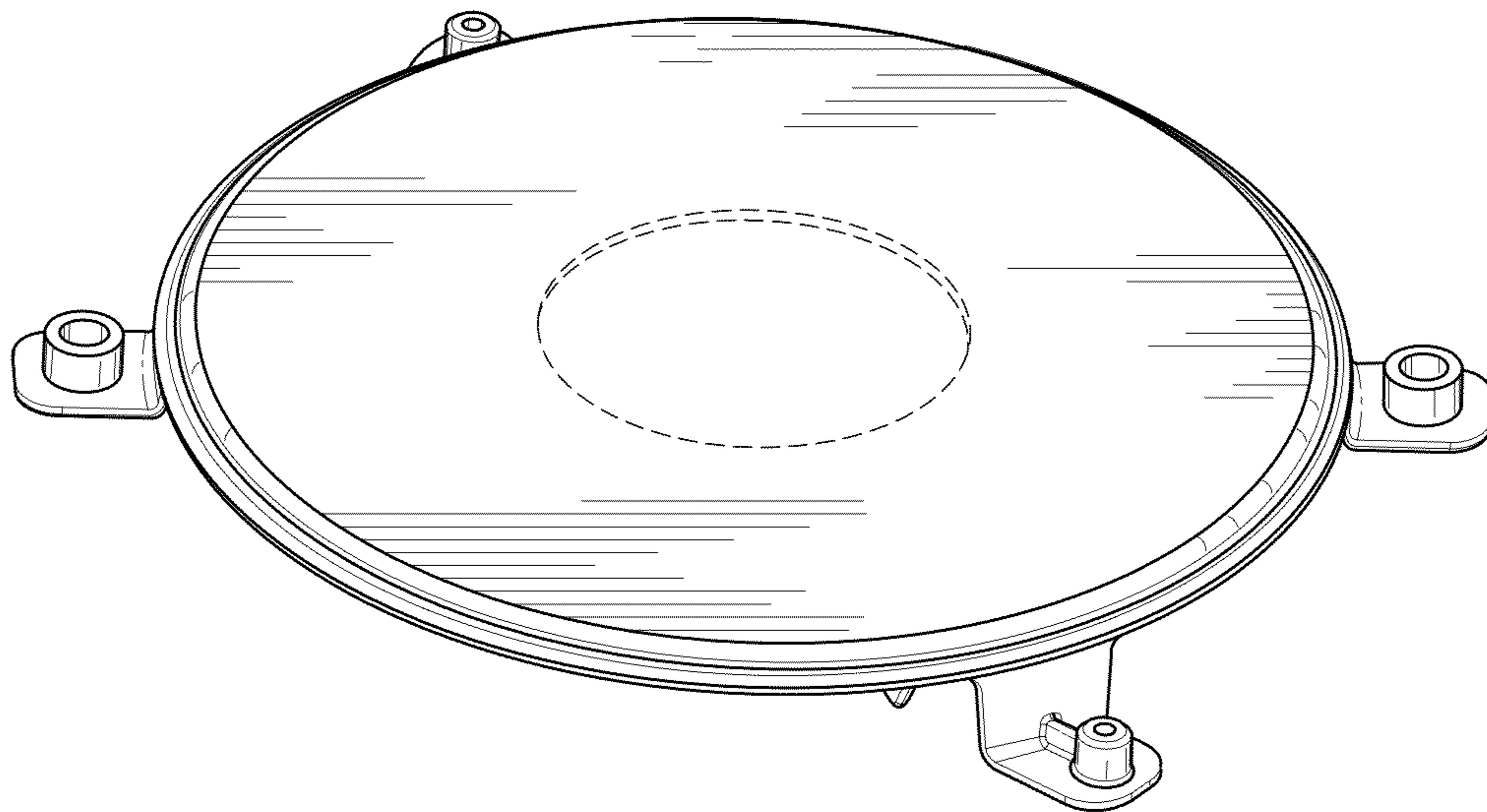


FIG. 2

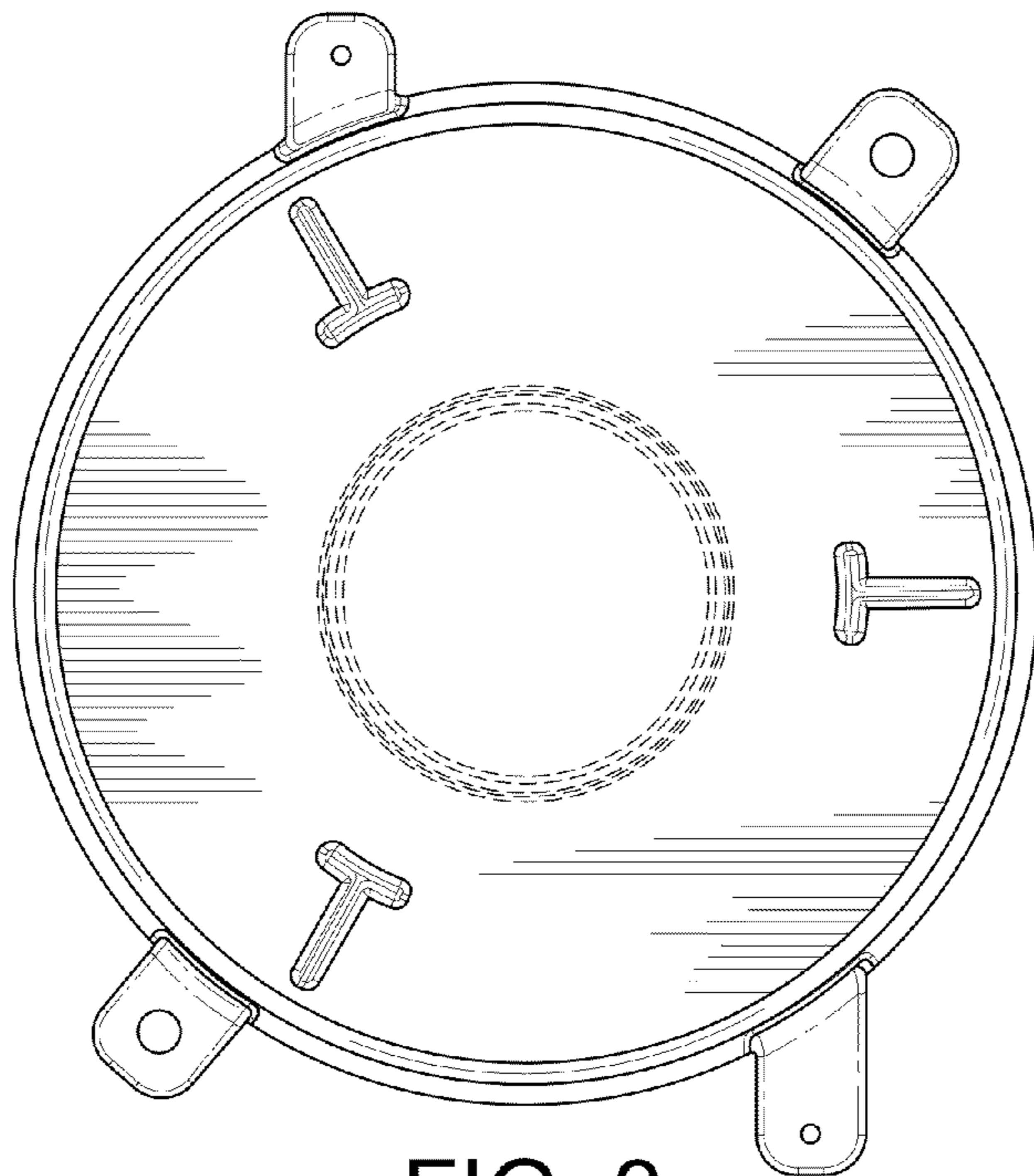


FIG. 3

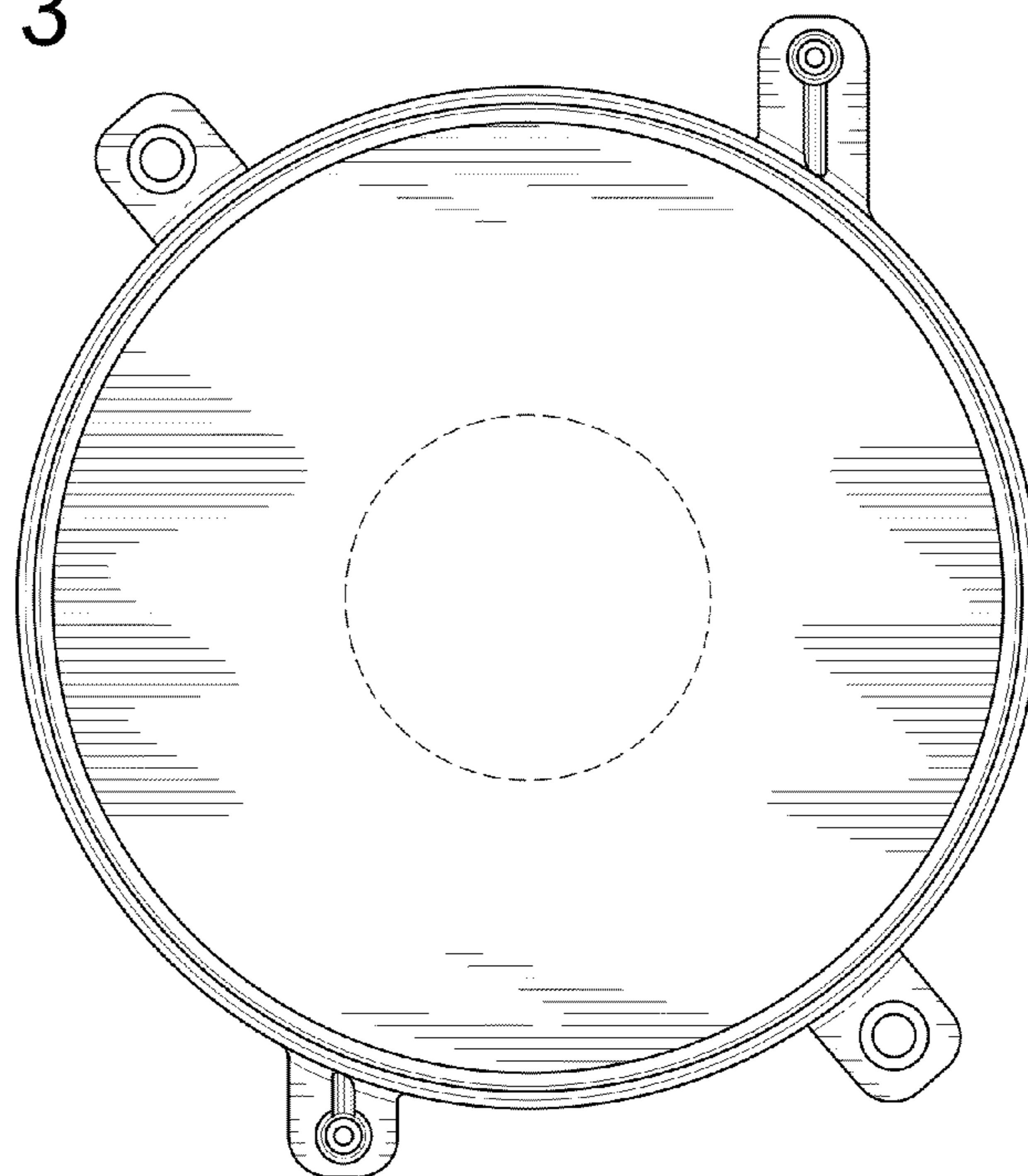


FIG. 4



FIG. 5

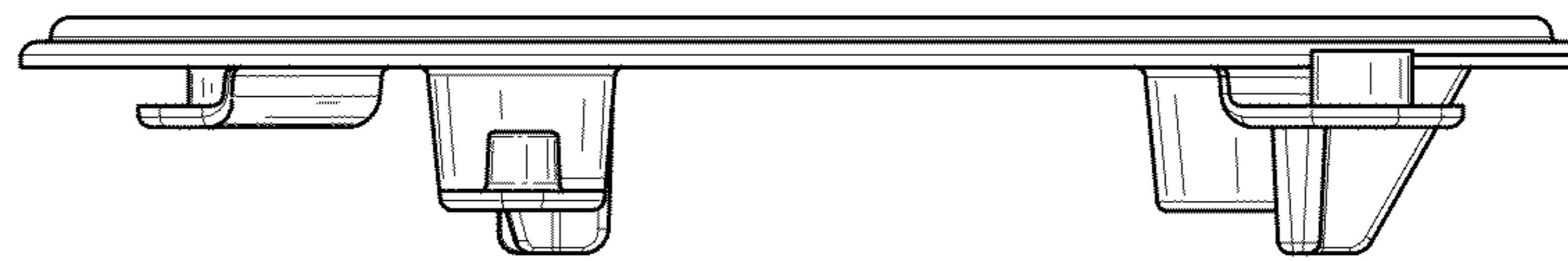


FIG. 6

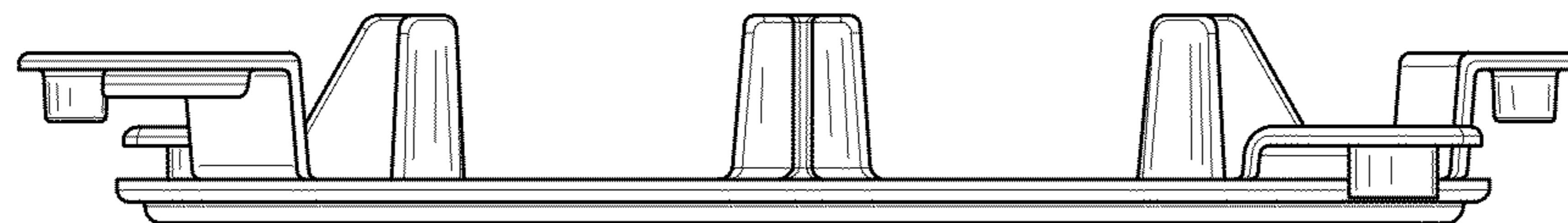


FIG. 7

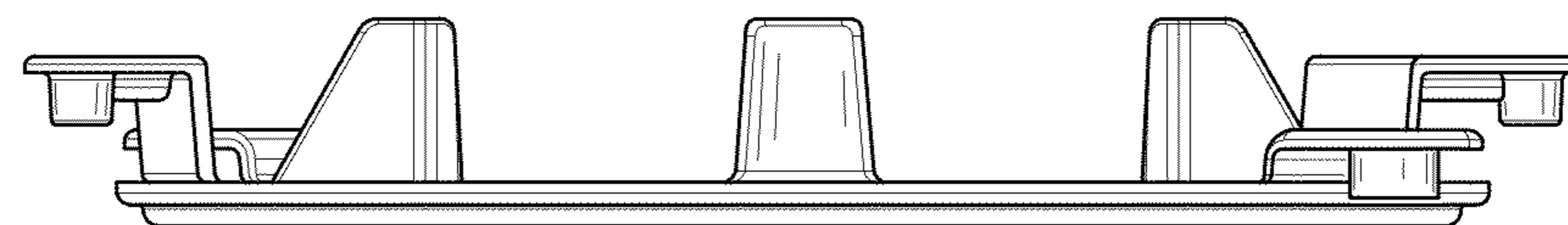


FIG. 8