



US00D754775S

(12) **United States Design Patent**
Hayes

(10) **Patent No.:** **US D754,775 S**
(45) **Date of Patent:** **** Apr. 26, 2016**

- (54) **PORTABLE MOUNTING ASSEMBLY**
- (71) Applicant: **John W. Hayes**, Cohasset, MN (US)
- (72) Inventor: **John W. Hayes**, Cohasset, MN (US)
- (**) Term: **14 Years**
- (21) Appl. No.: **29/493,353**
- (22) Filed: **Jun. 9, 2014**

D131,341 S	2/1942	Benson et al.
D150,051 S	6/1948	Bensen
2,916,243 A	12/1959	Johnston
3,150,890 A	9/1964	Sego et al.
3,762,616 A *	10/1973	Brunstetter 224/625
3,989,210 A	11/1976	Berkman et al.
4,221,352 A	9/1980	Caveney
4,319,420 A	3/1982	Clinton
4,443,837 A	4/1984	Migliori et al.
4,593,877 A	6/1986	van der Wyk
4,635,886 A	1/1987	Santucci et al.
4,762,296 A	8/1988	Kraus et al.
4,929,260 A	5/1990	Bauerle

Related U.S. Application Data

- (62) Division of application No. 13/045,262, filed on Mar. 10, 2011, now abandoned.
- (51) **LOC (10) Cl.** **16-05**
- (52) **U.S. Cl.**
USPC **D16/242**
- (58) **Field of Classification Search**
USPC D16/200–206, 208, 218, 219, 237, 242,
D16/244, 245; D8/354, 355; 248/160, 171,
248/176.1, 187.1; 352/243; 396/419, 421,
396/422, 425, 428, 539–541
CPC G03B 15/03; G03B 17/02; G03B 17/04;
G03B 17/56; G03B 19/04; H04N 5/2251;
H04N 5/2252; H04N 5/2253; H04N 5/2254;
H04N 2101/00

See application file for complete search history.

(56) **References Cited**

U.S. PATENT DOCUMENTS

254,397 A	2/1882	Smith
518,825 A	4/1894	Pelton
672,241 A	4/1901	Stroop
704,666 A	7/1902	Stephens
1,062,373 A	5/1913	Swan
1,170,344 A	2/1916	Ryan
1,472,955 A	11/1923	Behringer
1,702,676 A	2/1929	Vocisano
1,861,532 A	6/1932	Hough
1,950,250 A	3/1934	Kinney
2,052,600 A	9/1936	Boss

(Continued)

OTHER PUBLICATIONS

U.S. Appl. No. 13/045,262, filed Mar. 10, 2011, Published as US2011/0220768 A1, Sep. 15, 2011.

Primary Examiner — Susan E Krakower

Assistant Examiner — Ramzi Almatrahi

(74) *Attorney, Agent, or Firm* — Patterson Thunte Pedersen, P.A.

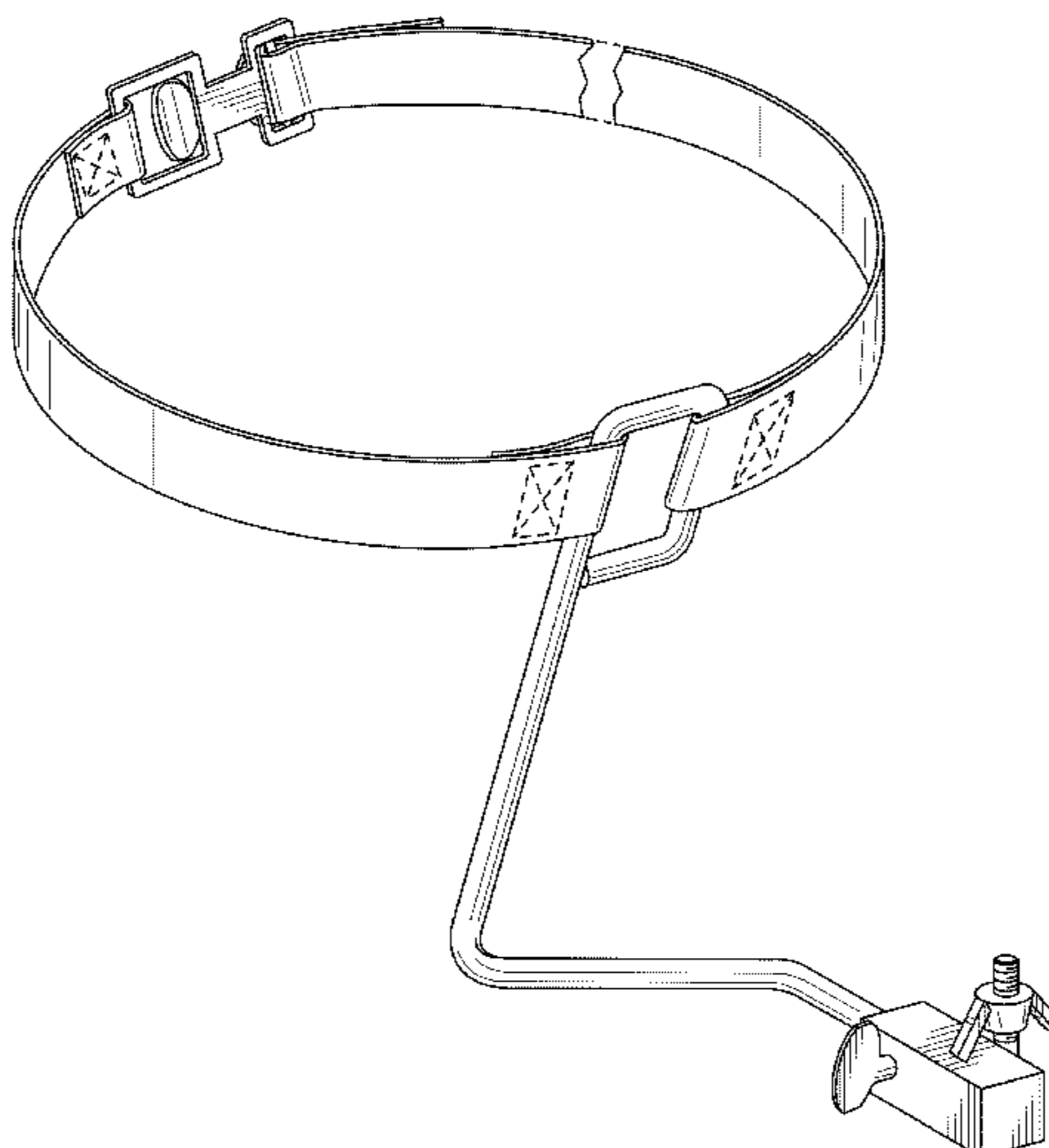
(57) **CLAIM**

The ornamental design for a portable mounting assembly, as shown and described.

DESCRIPTION

FIG. 1 is a front perspective view of a portable mounting assembly showing my new design.
 FIG. 2 is a right side elevation view thereof;
 FIG. 3 is a left side elevation view thereof;
 FIG. 4 is a front elevation view thereof;
 FIG. 5 is a rear elevation view thereof;
 FIG. 6 is a top plan view thereof; and,
 FIG. 7 is a bottom plan view thereof.
 The broken lines depict portions of a portable mounting assembly in which the design is embodied and form no part of the claimed design. Any portion on the article between the break lines forms no part of the claimed design.

1 Claim, 7 Drawing Sheets



(56)

References Cited

U.S. PATENT DOCUMENTS

4,929,973 A 5/1990 Nakatani
 D348,215 S * 6/1994 Melhorn D8/380
 5,365,293 A 11/1994 Nakatani
 5,383,636 A 1/1995 Karl
 D358,688 S 5/1995 Frasier
 D363,945 S * 11/1995 LaBree D16/242
 D367,758 S * 3/1996 Pernela D3/267
 D376,611 S * 12/1996 Field D16/242
 D385,484 S 10/1997 Zito
 5,724,772 A 3/1998 McGill
 5,740,994 A 4/1998 Laughlin
 5,755,412 A 5/1998 Guibert et al.
 6,007,284 A 12/1999 Taneichi
 6,068,557 A 5/2000 Zeilinger
 6,467,738 B1 10/2002 Hedrick et al.
 6,517,032 B1 2/2003 Gretz
 6,565,048 B1 5/2003 Meyer
 6,581,884 B1 6/2003 Gretz

6,629,676 B1 10/2003 Gretz
 D488,092 S 4/2004 Bruckler
 D498,251 S * 11/2004 Invencio D16/242
 D527,756 S * 9/2006 Parker et al. D16/242
 D591,324 S * 4/2009 Sukhov D16/242
 D605,685 S * 12/2009 Scott D16/242
 D611,085 S * 3/2010 Rix D16/242
 7,926,774 B1 4/2011 Wilson
 D644,681 S * 9/2011 Rix D16/242
 D666,236 S * 8/2012 Rix D16/242
 D687,878 S * 8/2013 Greenthal D16/242
 D691,651 S * 10/2013 Kim D16/242
 D729,302 S * 5/2015 Reese D16/242
 2003/0102412 A1 6/2003 Miescher
 2004/0113024 A1 6/2004 Caveney et al.
 2005/0211853 A1 9/2005 Whorton
 2006/0197001 A1 * 9/2006 Parker et al. 248/230.8
 2006/0226300 A1 10/2006 Shibuya
 2008/0001057 A1 1/2008 Holmberg
 2009/0129769 A1 5/2009 Broberg
 2011/0220768 A1 9/2011 Hayes

* cited by examiner

Fig. 1

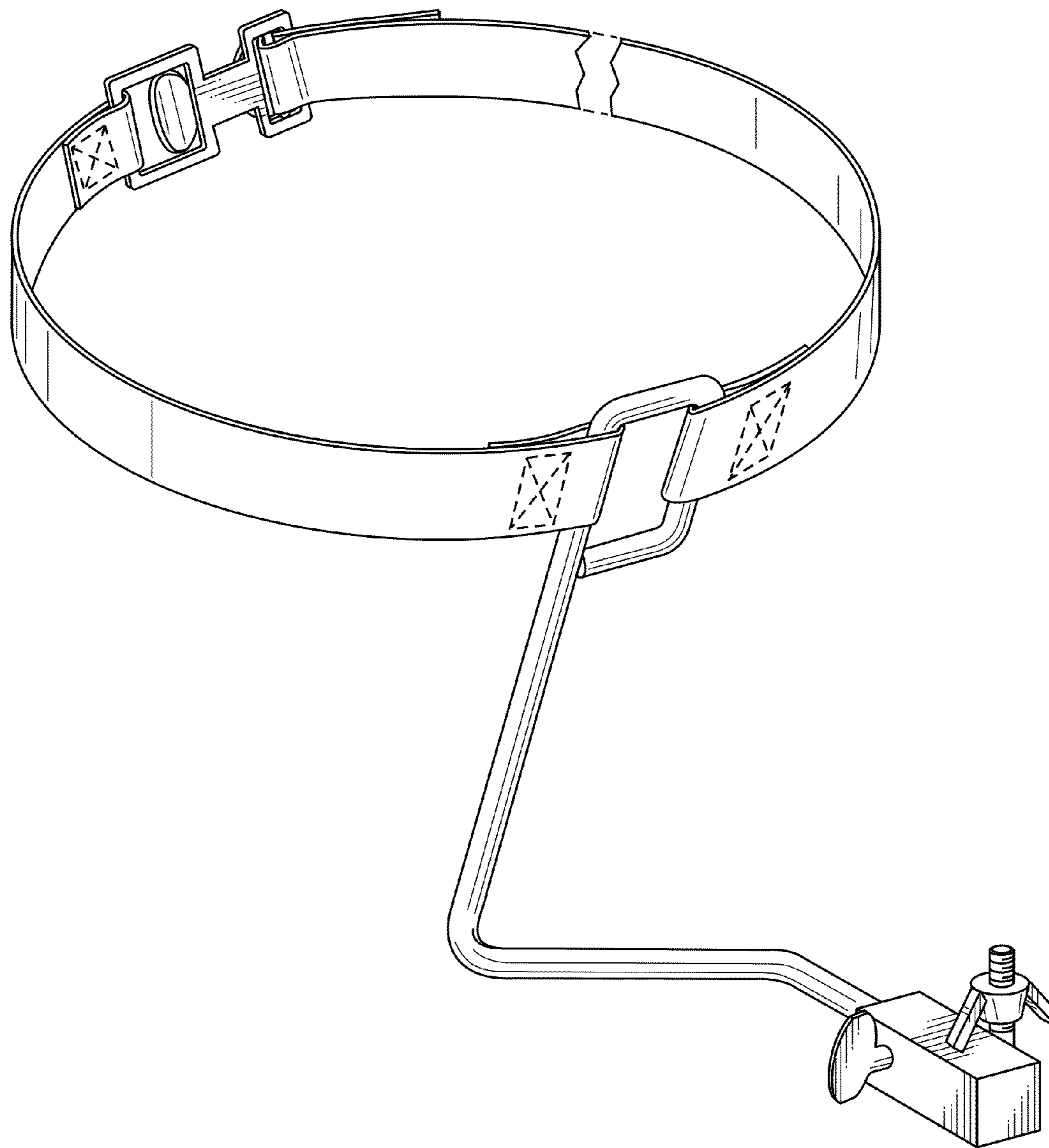


Fig. 2

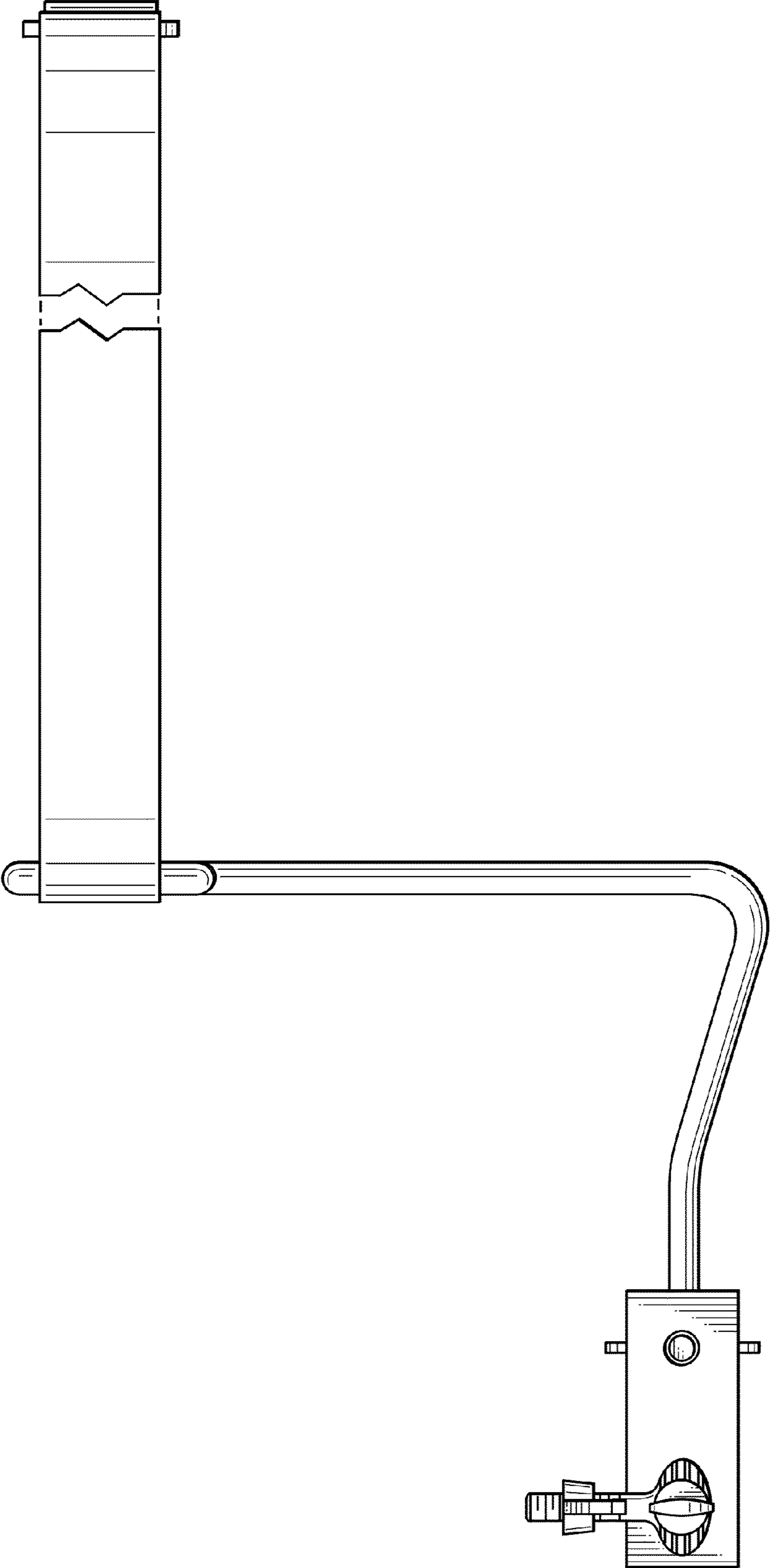


Fig. 3

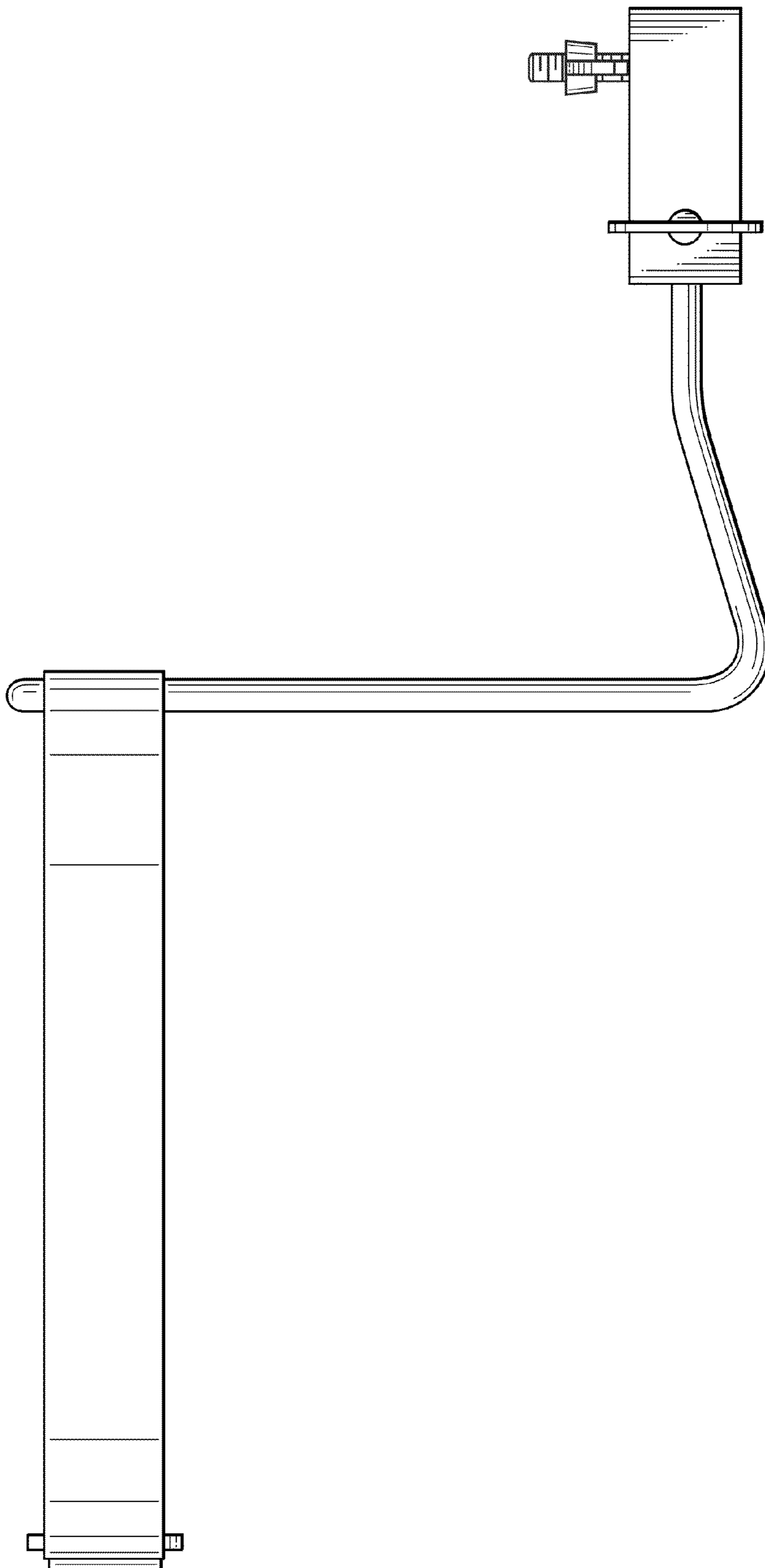


Fig. 4

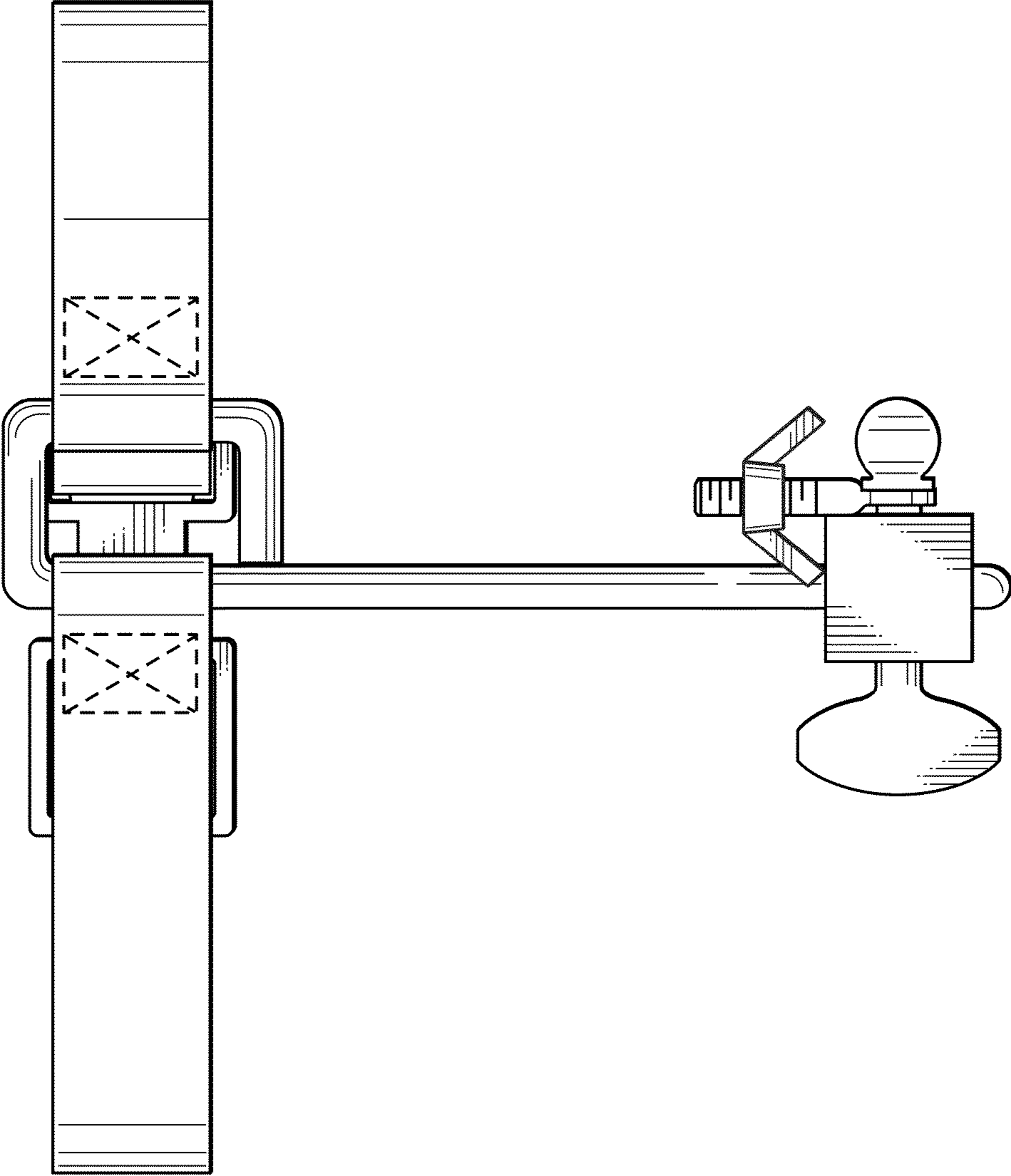


Fig. 5

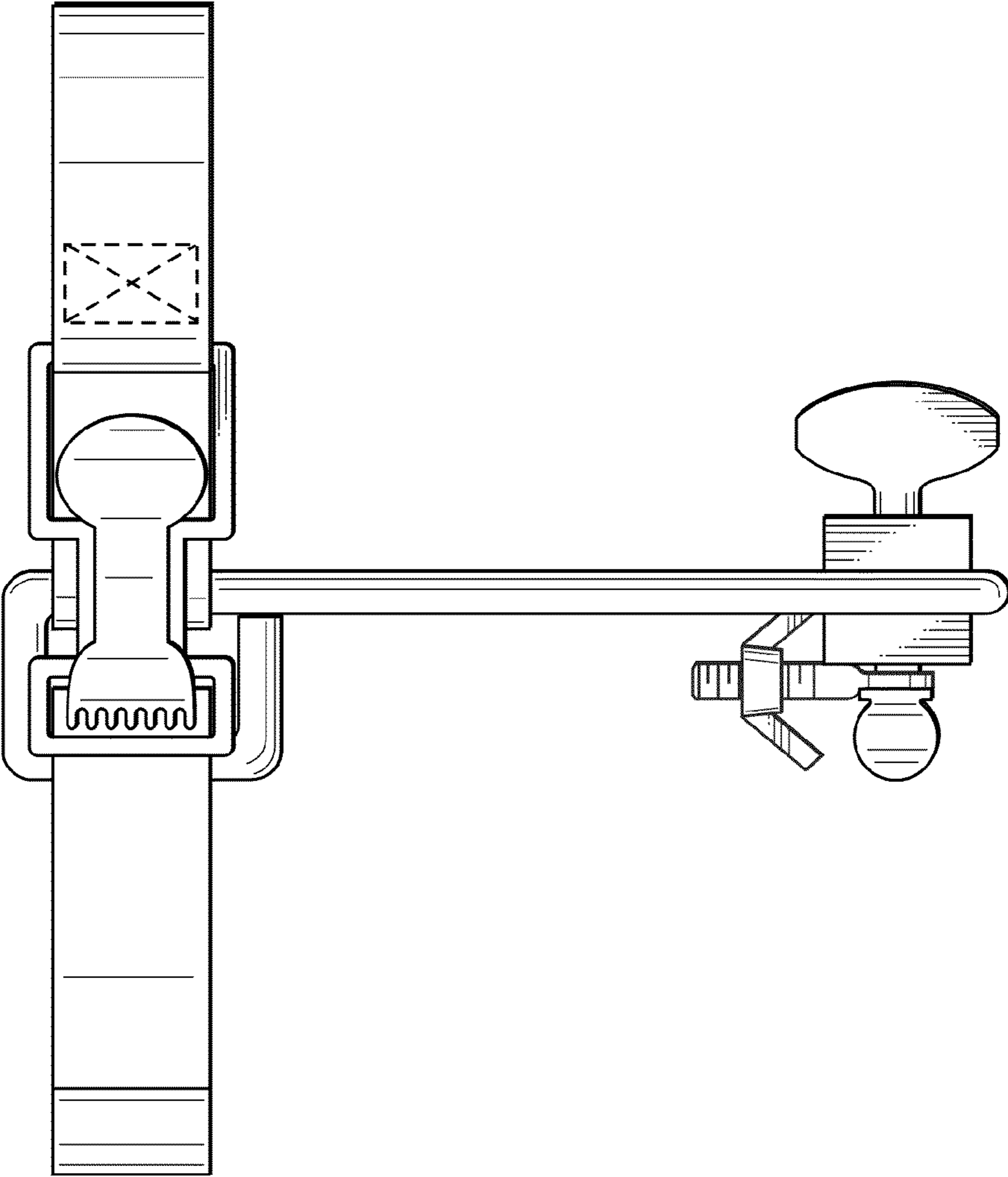


Fig. 6

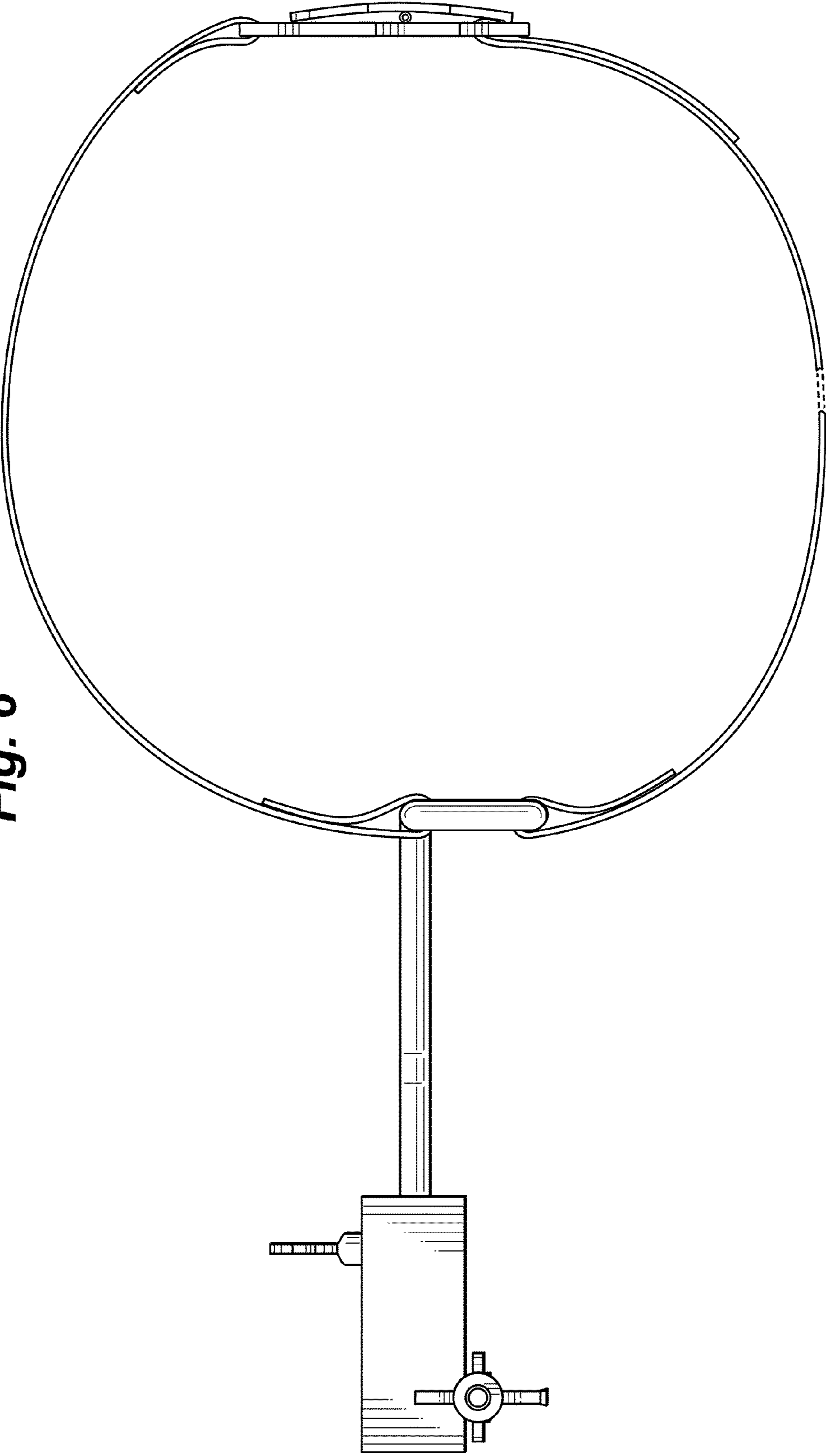


Fig. 7

