

US00D754774S

(12) **United States Design Patent**
Chang et al.

(10) **Patent No.:** **US D754,774 S**

(45) **Date of Patent:** **** Apr. 26, 2016**

(54) **PORTABLE ON-CAMERA BROADCAST LIGHT WITH STAND MOUNT AND ADJUSTABLE YOKE**

(71) Applicants: **Shu-Hui Chang**, Kaohsiung (TW);
Sung-Ching Wu, Kaohsiung (TW);
Jui-Hung Cheng, Kaohsiung (TW);
Brent John Siebenaler, Redondo Beach, CA (US)

(72) Inventors: **Shu-Hui Chang**, Kaohsiung (TW);
Sung-Ching Wu, Kaohsiung (TW);
Jui-Hung Cheng, Kaohsiung (TW);
Brent John Siebenaler, Redondo Beach, CA (US)

(73) Assignee: **DiCon Fiberoptics, Inc.**, Richmond, CA (US)

(**) Term: **14 Years**

(21) Appl. No.: **29/473,260**

(22) Filed: **Nov. 20, 2013**

(51) **LOC (10) Cl.** **16-05**

(52) **U.S. Cl.**
USPC **D16/239**

(58) **Field of Classification Search**
USPC D16/134, 136, 213–219, 235, 237–245;
D26/37, 38, 63
CPC G03B 17/02–17/04; G03B 17/14;
G03B 17/56; G03B 17/561–17/568; G03B
21/20–21/2066; G03B 15/041–15/0436;
G02B 7/02–7/04; G02B 7/14; H04N
5/2251–5/2554

See application file for complete search history.

(56) **References Cited**

U.S. PATENT DOCUMENTS

D425,232 S *	5/2000	Chang	D26/63
D426,335 S *	6/2000	Kulterer et al.	D26/63
D486,259 S *	2/2004	Crawford et al.	D26/51
D554,171 S *	10/2007	Deng	D16/203
D587,833 S *	3/2009	Bina et al.	D26/63
D634,871 S *	3/2011	Wooh	D26/63
D667,582 S *	9/2012	Toft	D26/63
D694,927 S *	12/2013	Toft	D26/63
D699,382 S *	2/2014	Moller et al.	D26/63
D700,385 S *	2/2014	Quadri	D26/63
D702,386 S *	4/2014	Valeri et al.	D26/63
D728,840 S *	5/2015	Eustace	D26/63

* cited by examiner

Primary Examiner — Susan Bennett Hattan

Assistant Examiner — Vy Koenig

(57) **CLAIM**

The ornamental design for a portable on-camera broadcast light with stand mount and adjustable yoke, as shown and described.

DESCRIPTION

FIG. 1 is a front perspective view of the portable on-camera broadcast light with stand mount and adjustable yoke.

FIG. 2 is another front perspective view thereof.

FIG. 3 is a rear perspective view thereof. The broken oval line in FIG. 3 illustrates unclaimed structure.

FIG. 4 is a front view thereof.

FIG. 5 is a rear view thereof. The broken circular line in FIG. 5 illustrates unclaimed structure.

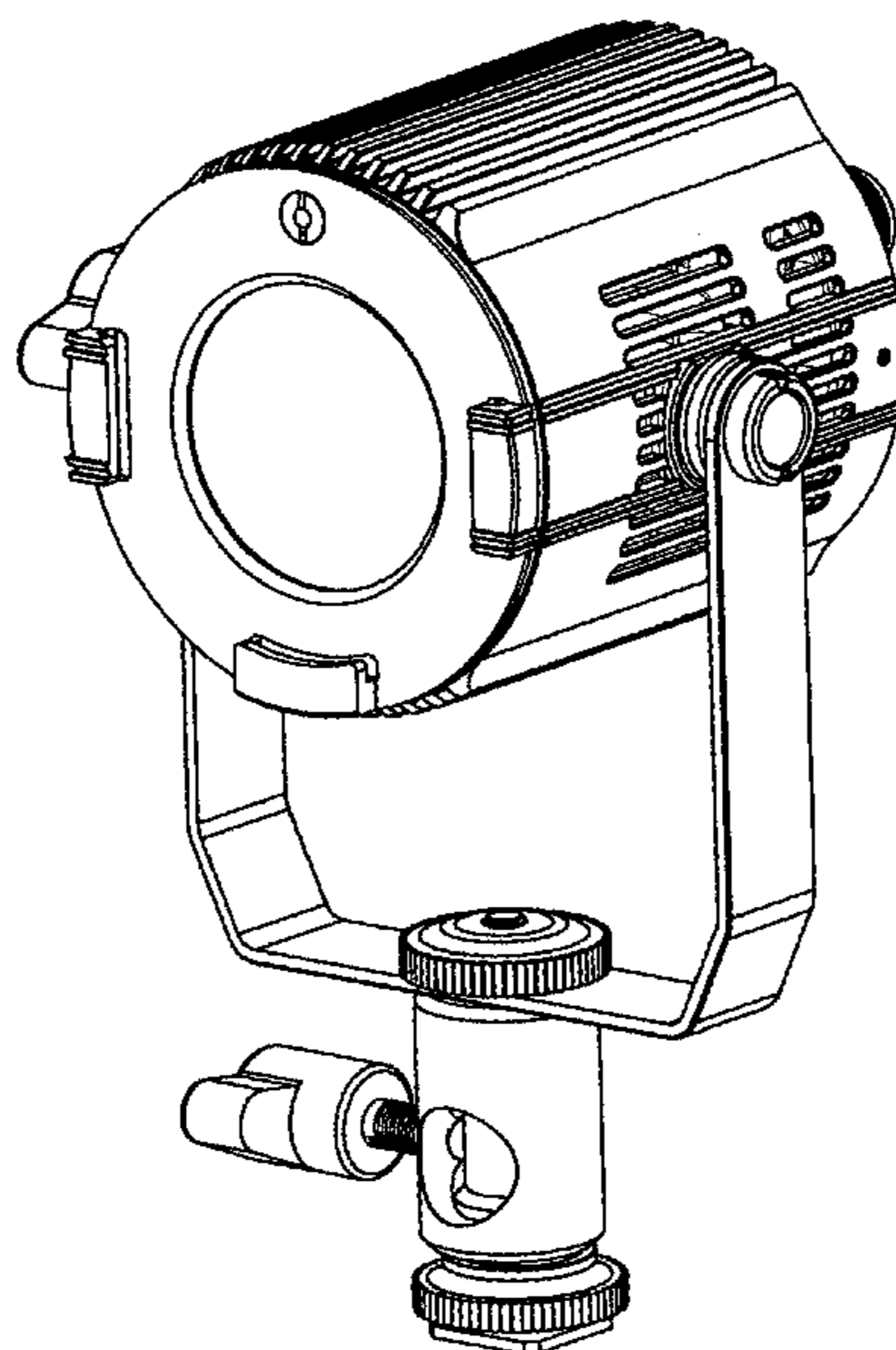
FIGS. 6 and 7 are side views thereof.

FIG. 8 is a top view thereof; and,

FIG. 9 is a bottom view thereof.

The internal features shown in faint lines inside the ventilating slots form no part of the claimed design.

1 Claim, 8 Drawing Sheets



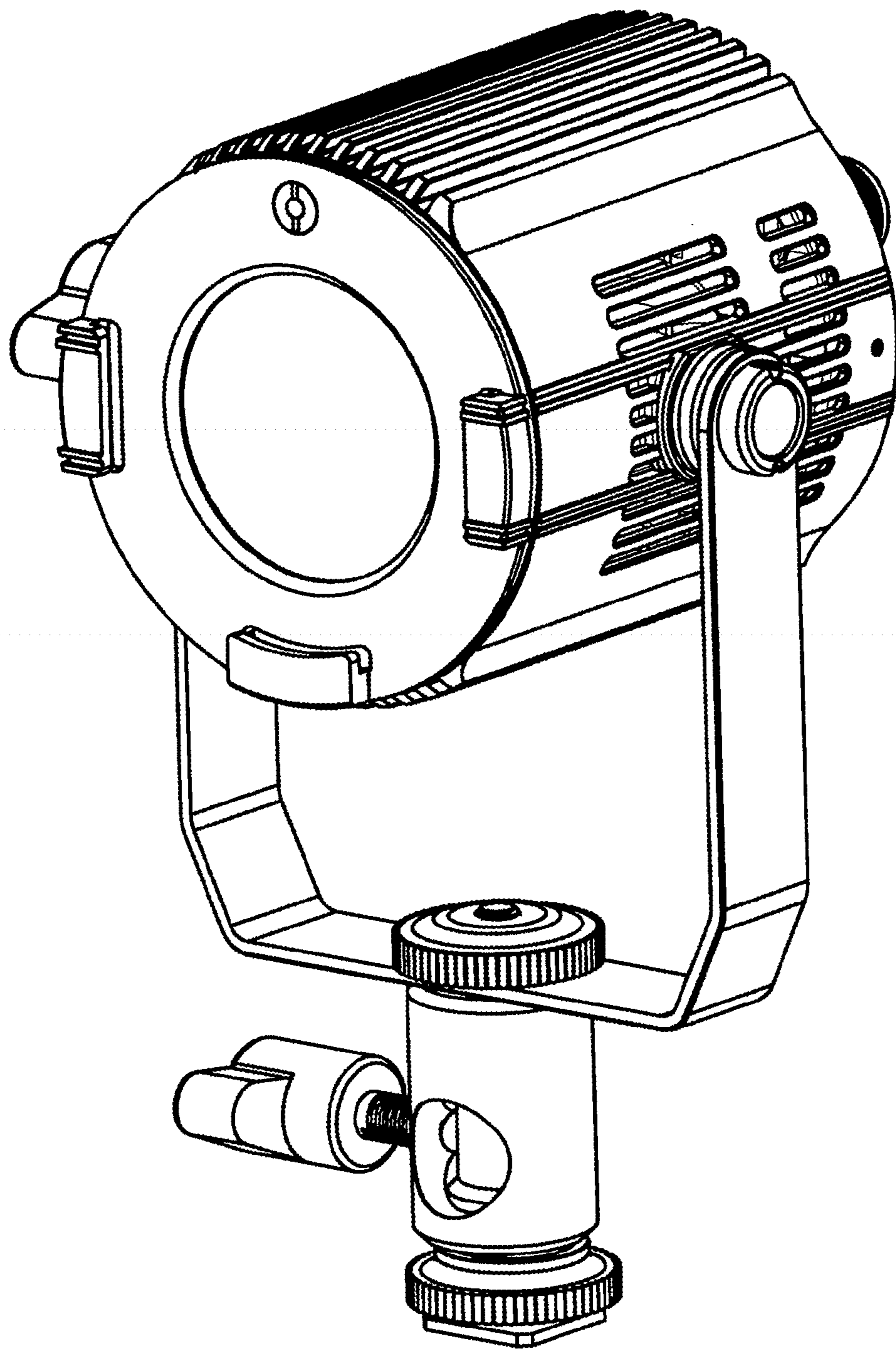


FIG. 1

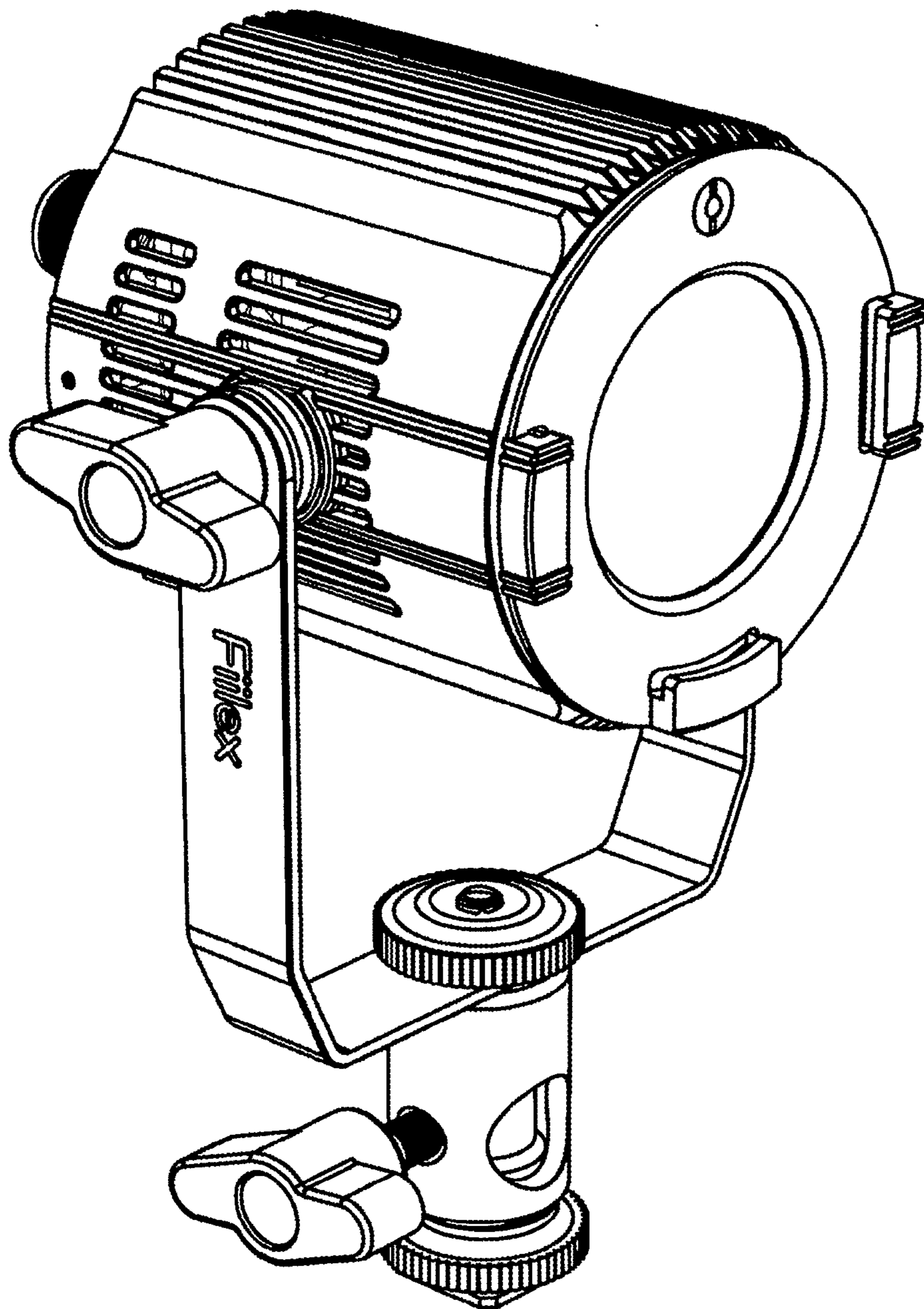


FIG. 2

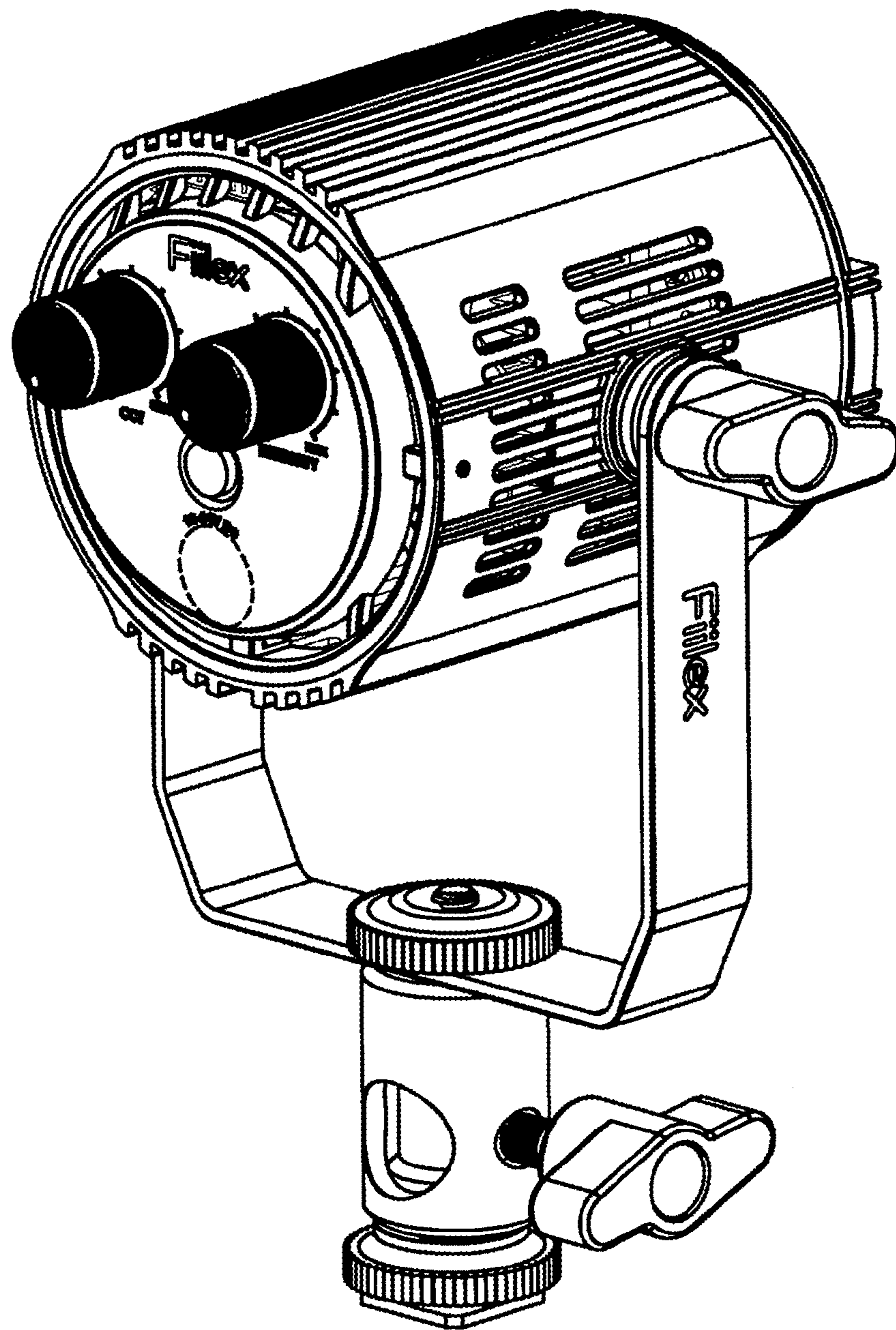


FIG. 3

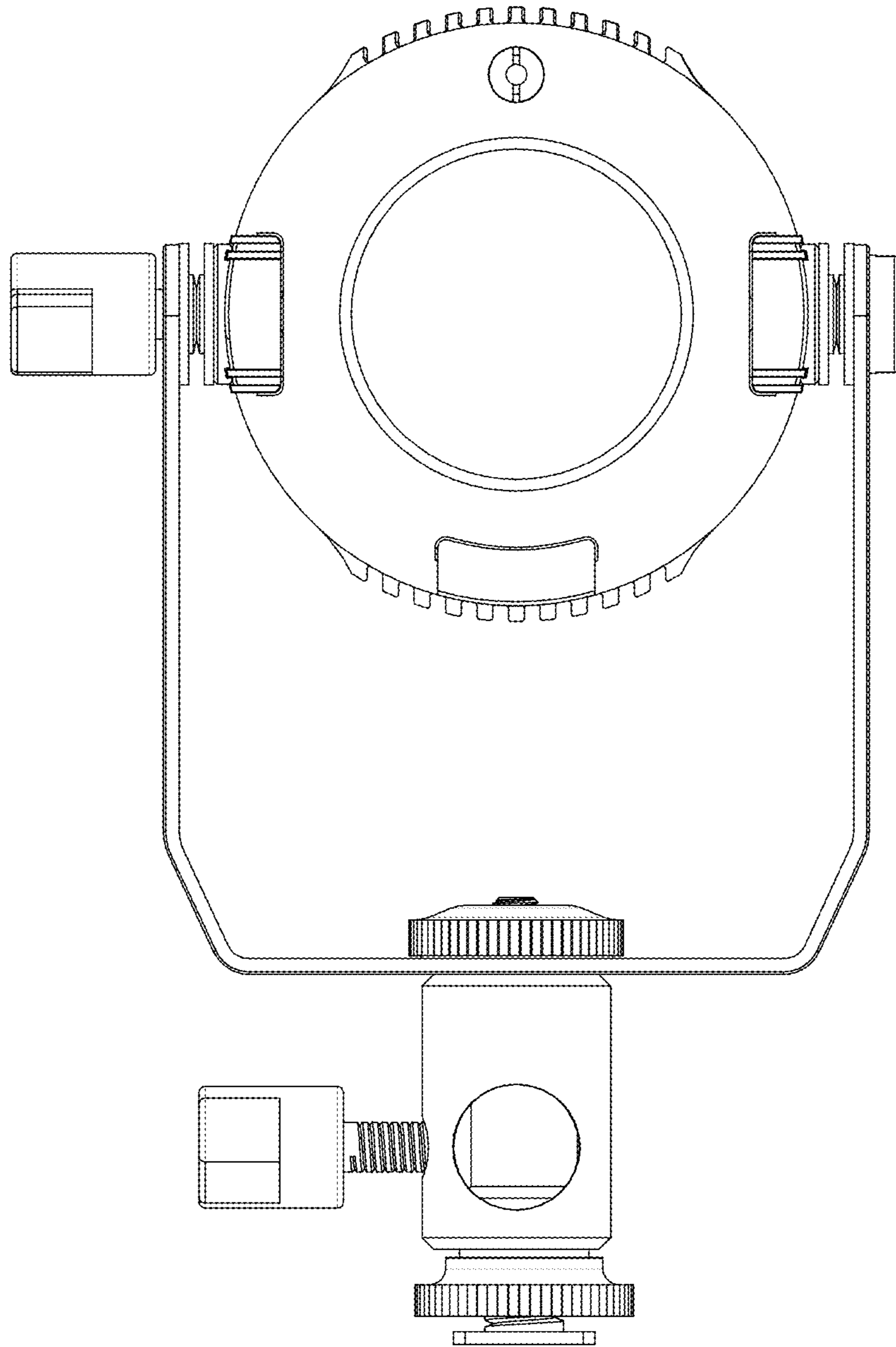


FIG. 4

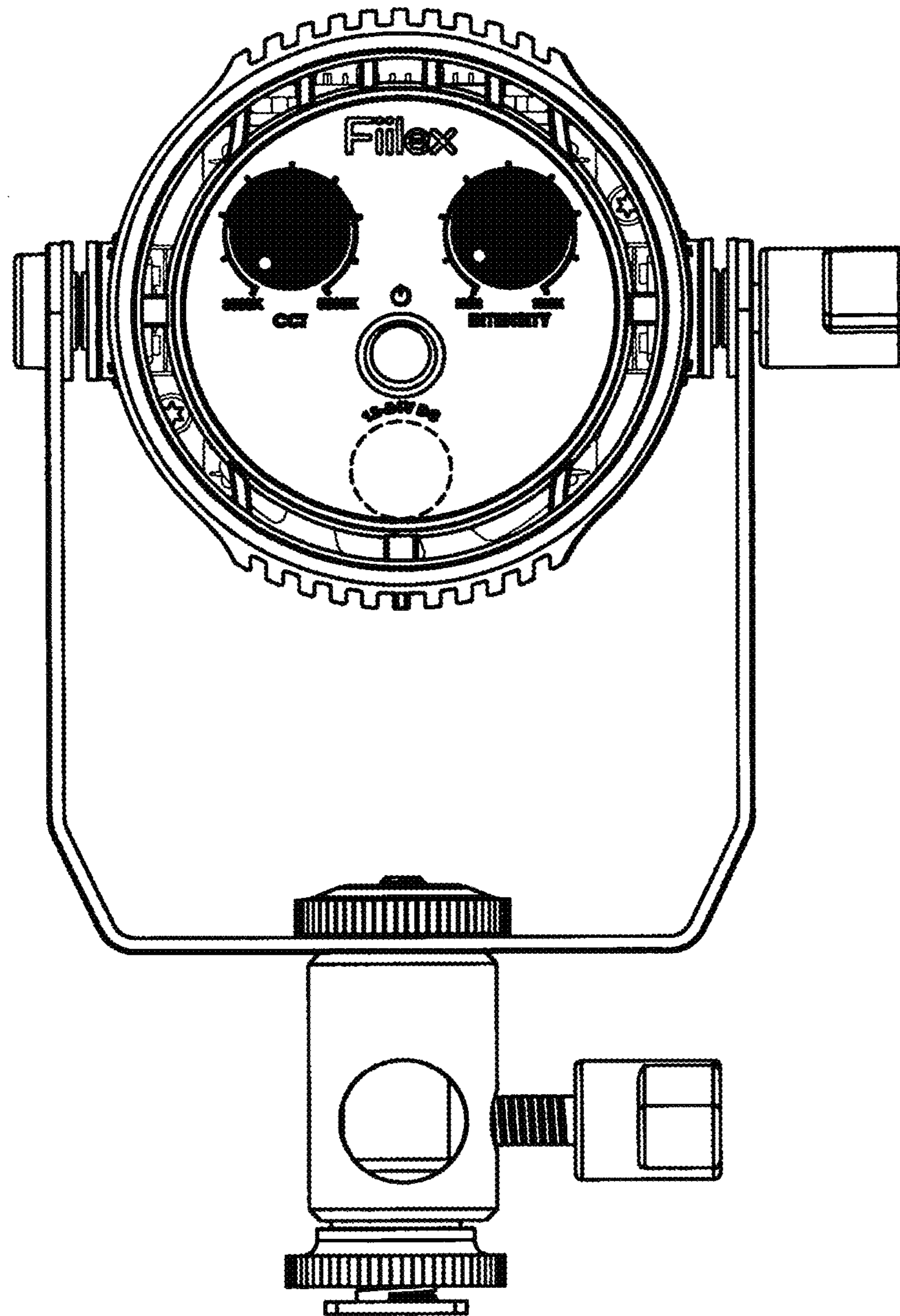


FIG. 5

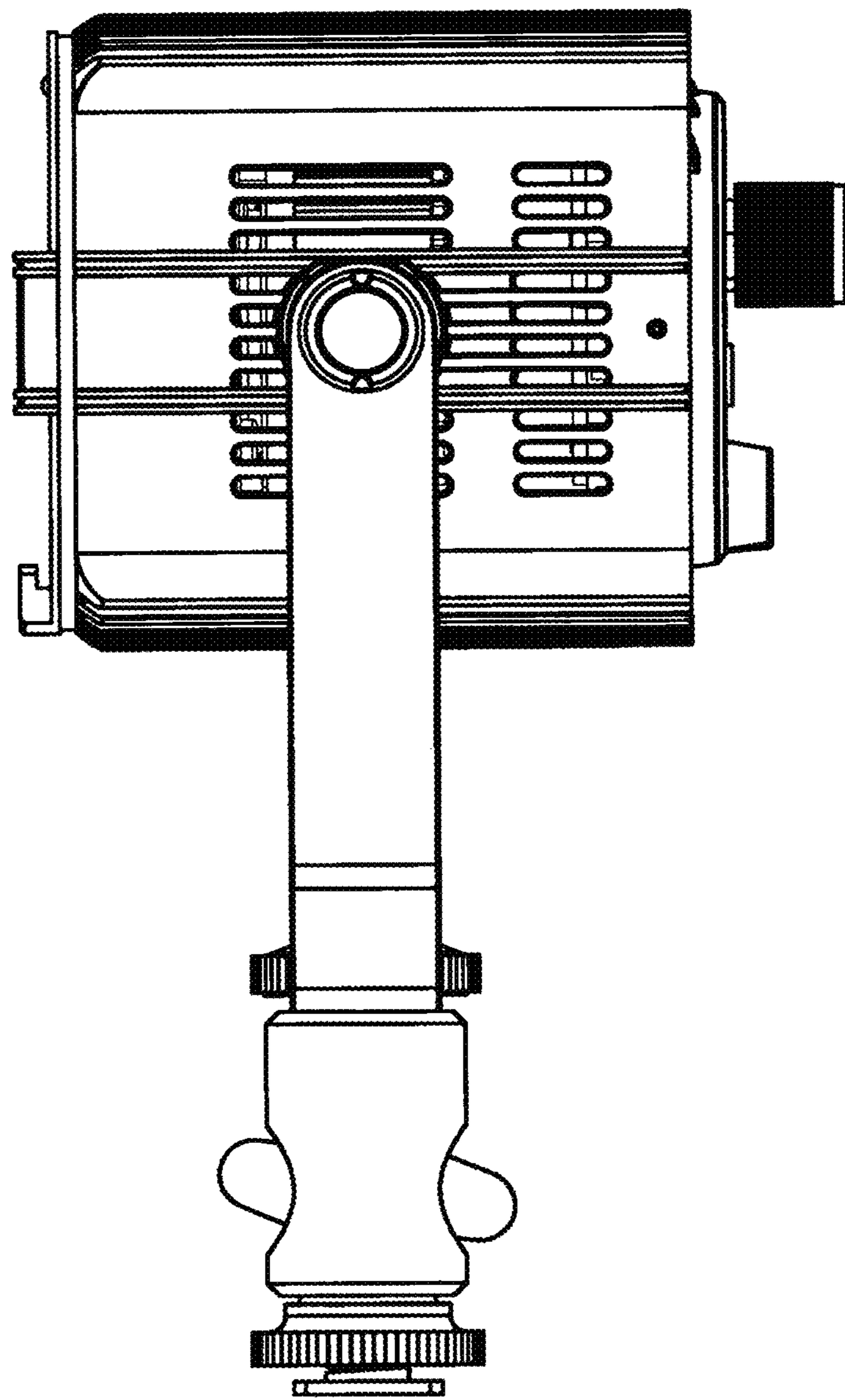


FIG. 6

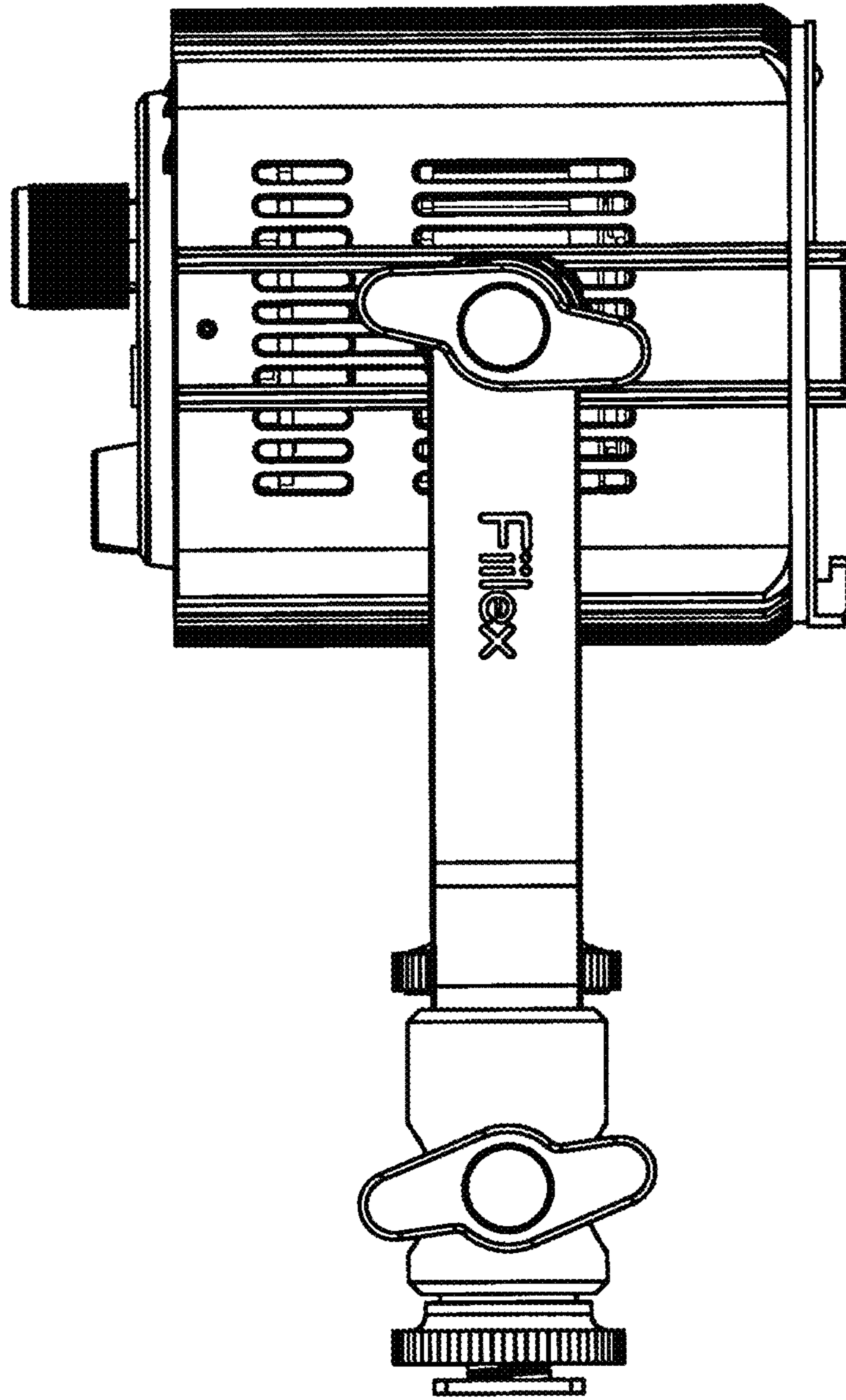


FIG. 7

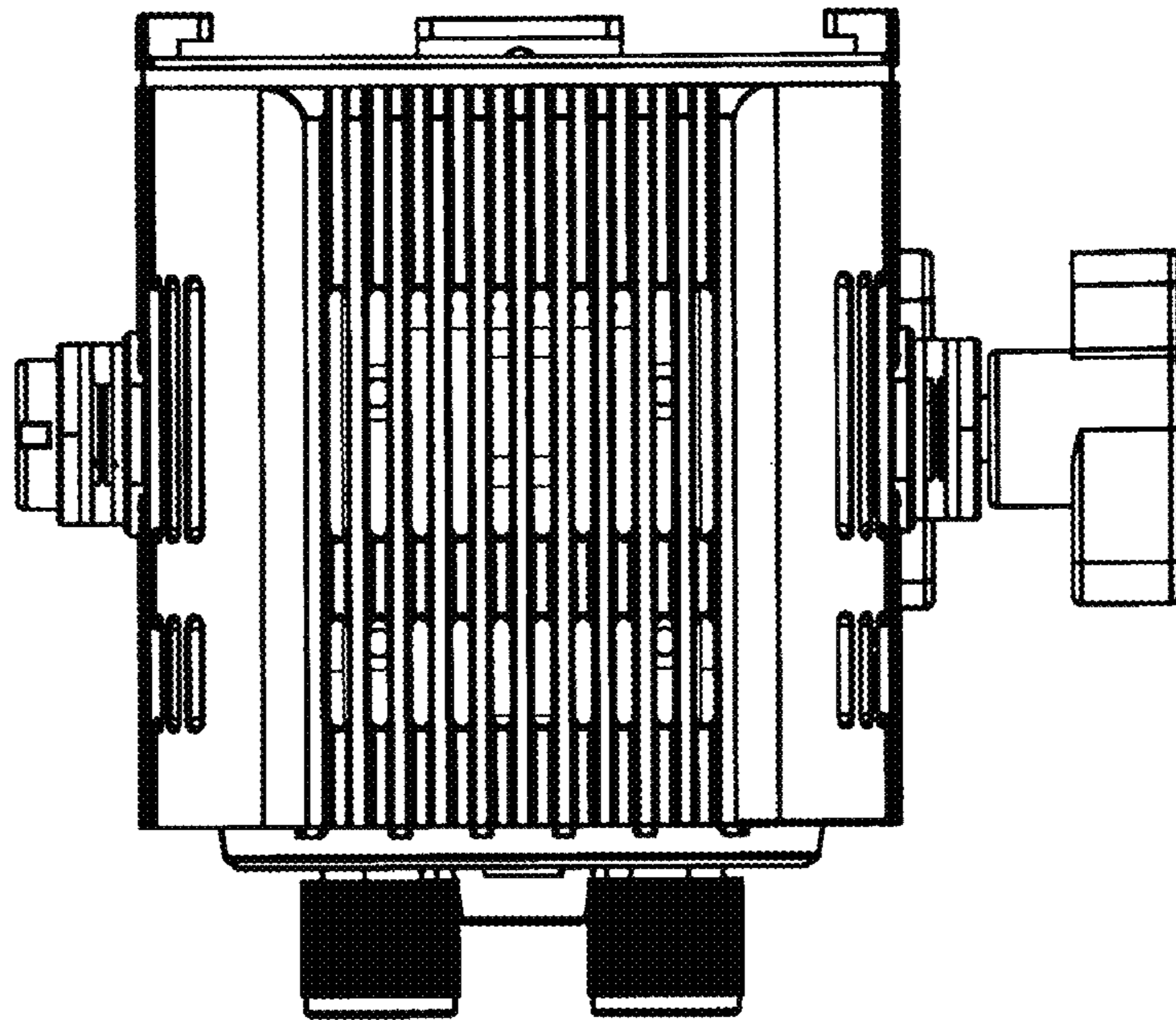


FIG. 8

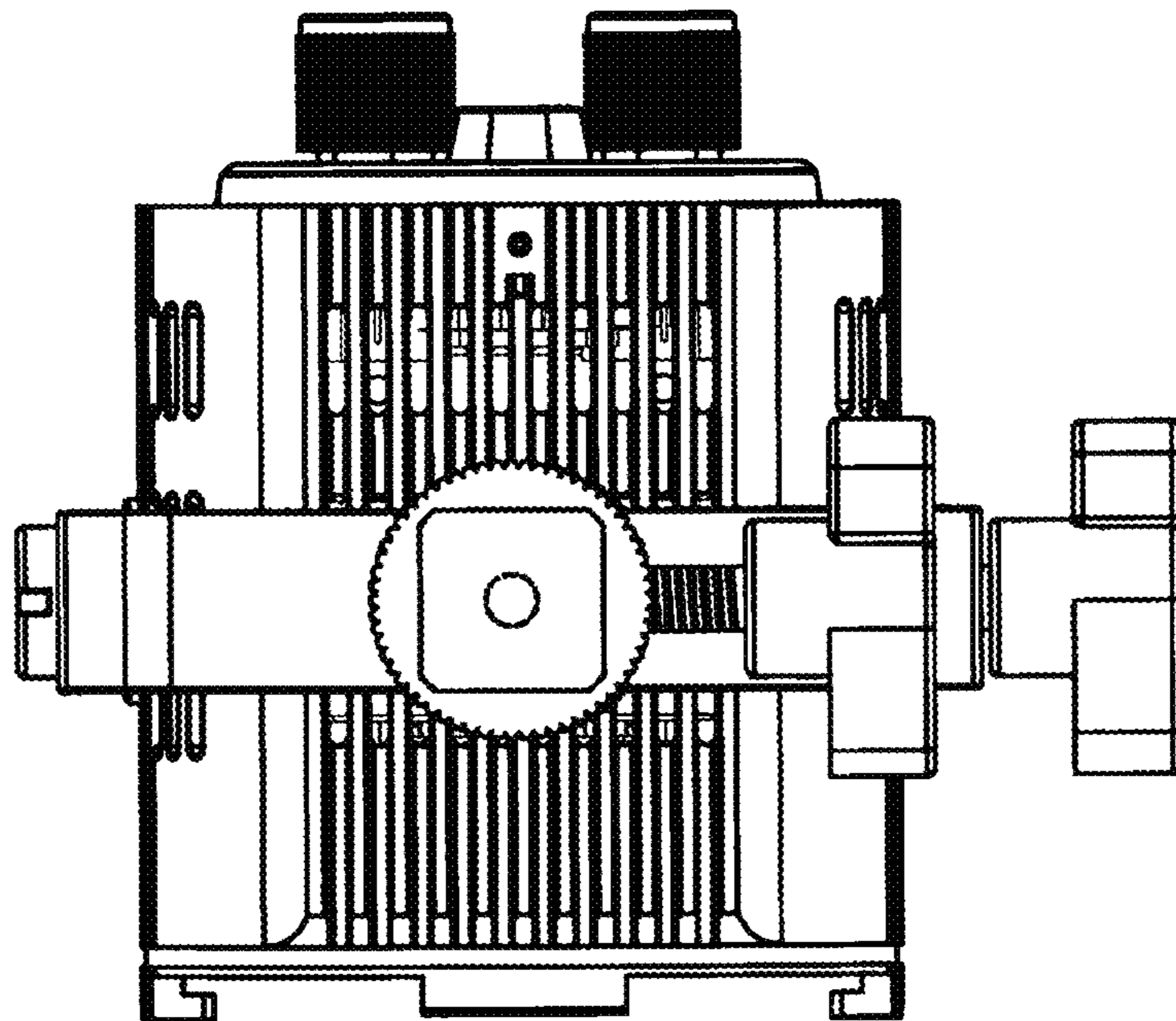


FIG. 9