



US00D754773S

(12) **United States Design Patent**  
**Zhou**

(10) **Patent No.:** **US D754,773 S**

(45) **Date of Patent:** **\*\* Apr. 26, 2016**

(54) **MINIATURE PROJECTION EQUIPMENT**

(71) Applicant: **ZTE Corporation**, Shenzhen,  
Guangdong (CN)

(72) Inventor: **You Zhou**, Shenzhen (CN)

(73) Assignee: **ZTE Corporation**, Shenzhen,  
Guangdong (CN)

(\*\*) Term: **14 Years**

(21) Appl. No.: **29/524,479**

(22) Filed: **Apr. 21, 2015**

(30) **Foreign Application Priority Data**

Oct. 21, 2014 (CN) ..... 2014 3 0398526

(51) **LOC (10) Cl.** ..... **16-02**

(52) **U.S. Cl.**  
USPC ..... **D16/230**

(58) **Field of Classification Search**  
USPC ..... D16/221, 225, 230-231, 234; D21/514  
CPC ..... G03B 21/10; G03B 21/14; G03B 21/00;  
G03B 21/001; G03B 21/003; G03B 21/145  
See application file for complete search history.

(56) **References Cited**

**U.S. PATENT DOCUMENTS**

3,100,427 A \* 8/1963 Lehmann ..... G03G 15/221  
D16/225  
5,630,659 A \* 5/1997 Ronzani ..... G03B 21/14  
348/E5.122

D433,048 S \* 10/2000 Ikenaga ..... D16/225  
D680,572 S \* 4/2013 Morohoshi ..... D16/230  
8,727,540 B2 \* 5/2014 Ehara ..... G03B 21/145  
345/11  
D708,250 S \* 7/2014 Park ..... D16/230  
8,955,990 B2 \* 2/2015 Morohoshi ..... G03B 21/145  
353/119  
9,052,580 B2 \* 6/2015 Fujioka ..... G03B 21/145  
2013/0329198 A1 \* 12/2013 Matsuyama ..... G03B 21/14  
353/97

\* cited by examiner

*Primary Examiner* — Wan Laymon

(74) *Attorney, Agent, or Firm* — Oppedahl Patent Law Firm  
LLC

(57) **CLAIM**

The ornamental design for a miniature projection equipment,  
as shown and described.

**DESCRIPTION**

FIG. 1 is a top front perspective view of a miniature projection  
equipment.

FIG. 2 is a bottom rear perspective view.

FIG. 3 is a right side view.

FIG. 4 is a rear view.

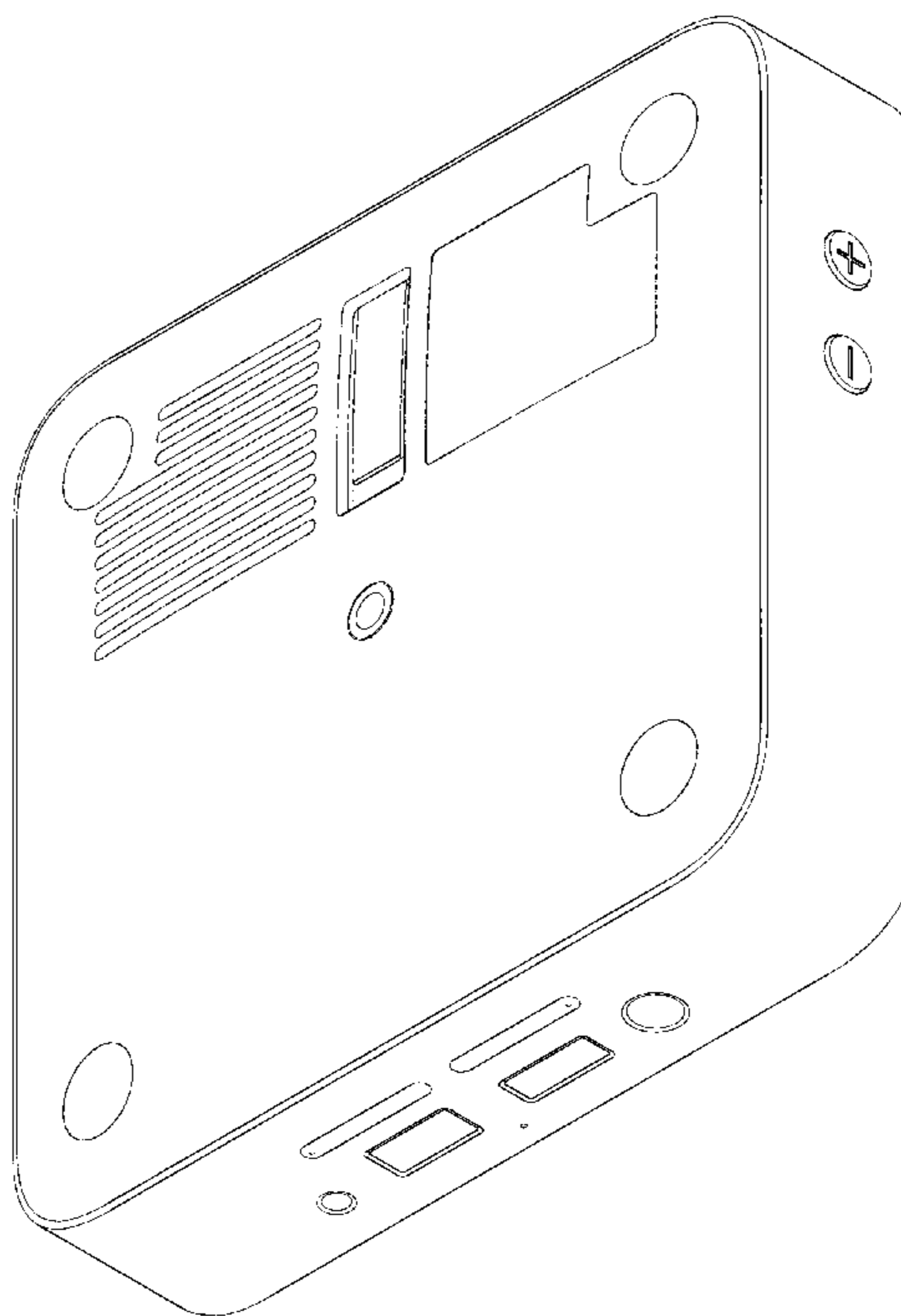
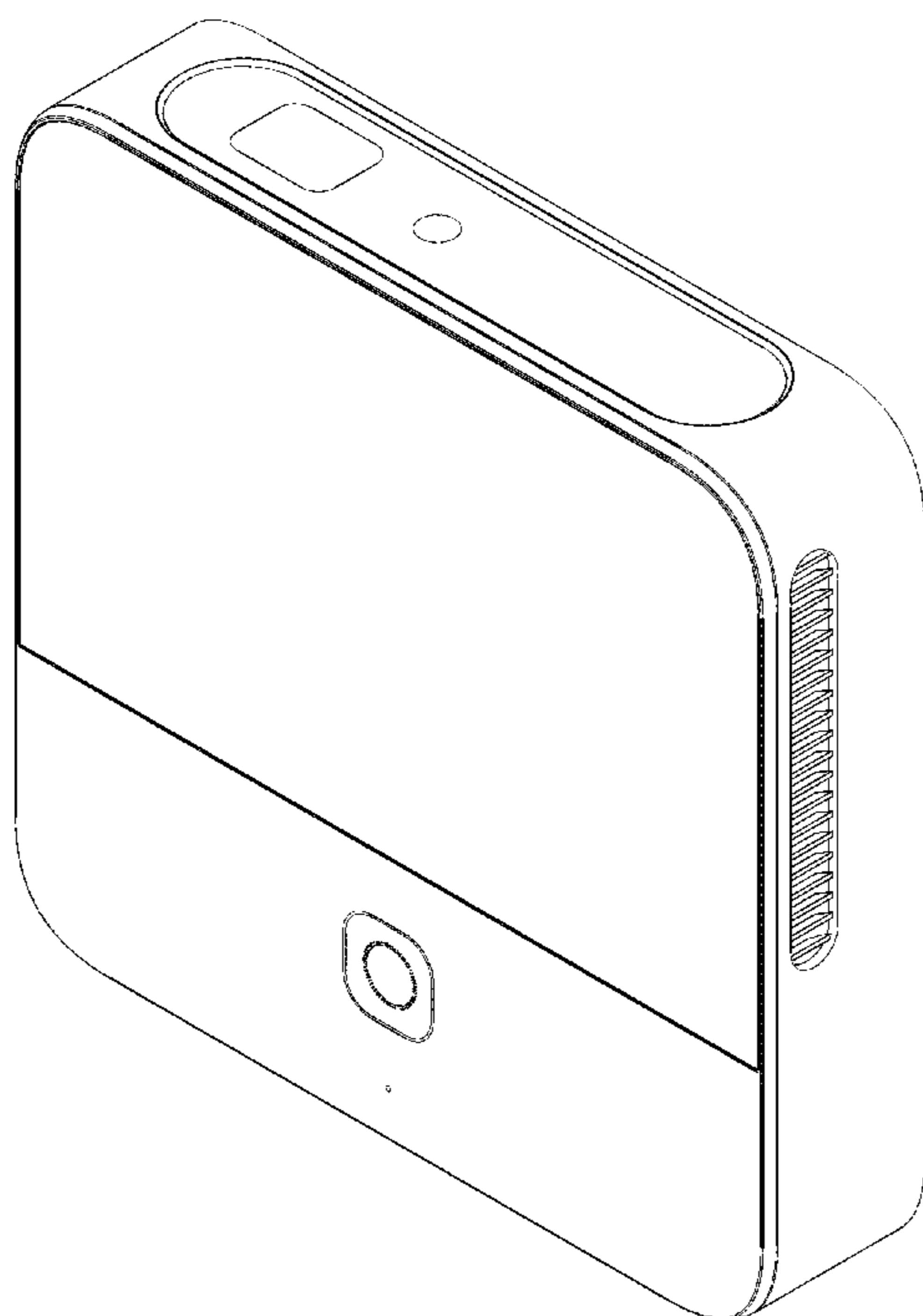
FIG. 5 is a left side view.

FIG. 6 is a front view.

FIG. 7 is a top view; and,

FIG. 8 is a bottom view.

**1 Claim, 8 Drawing Sheets**



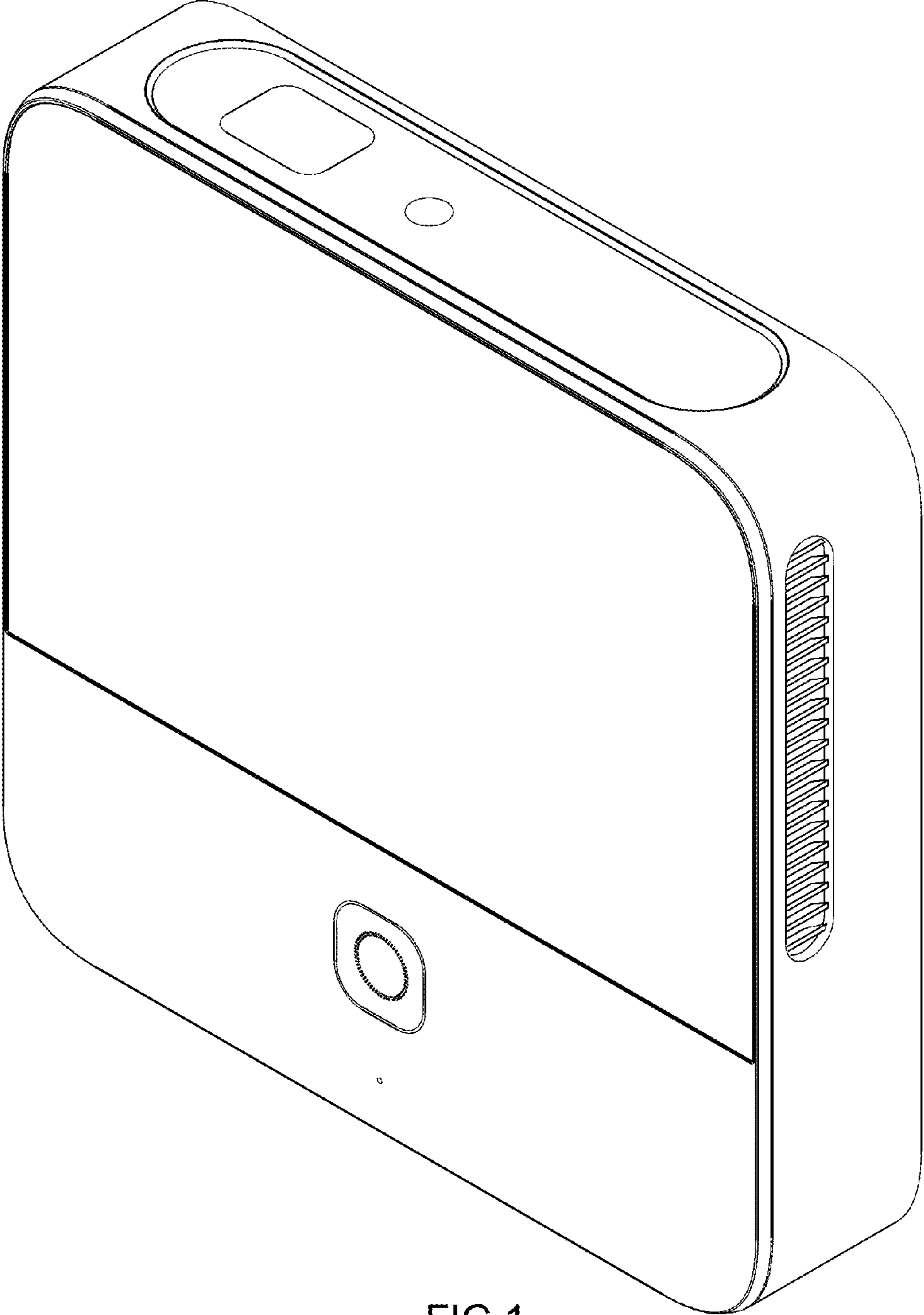


FIG.1

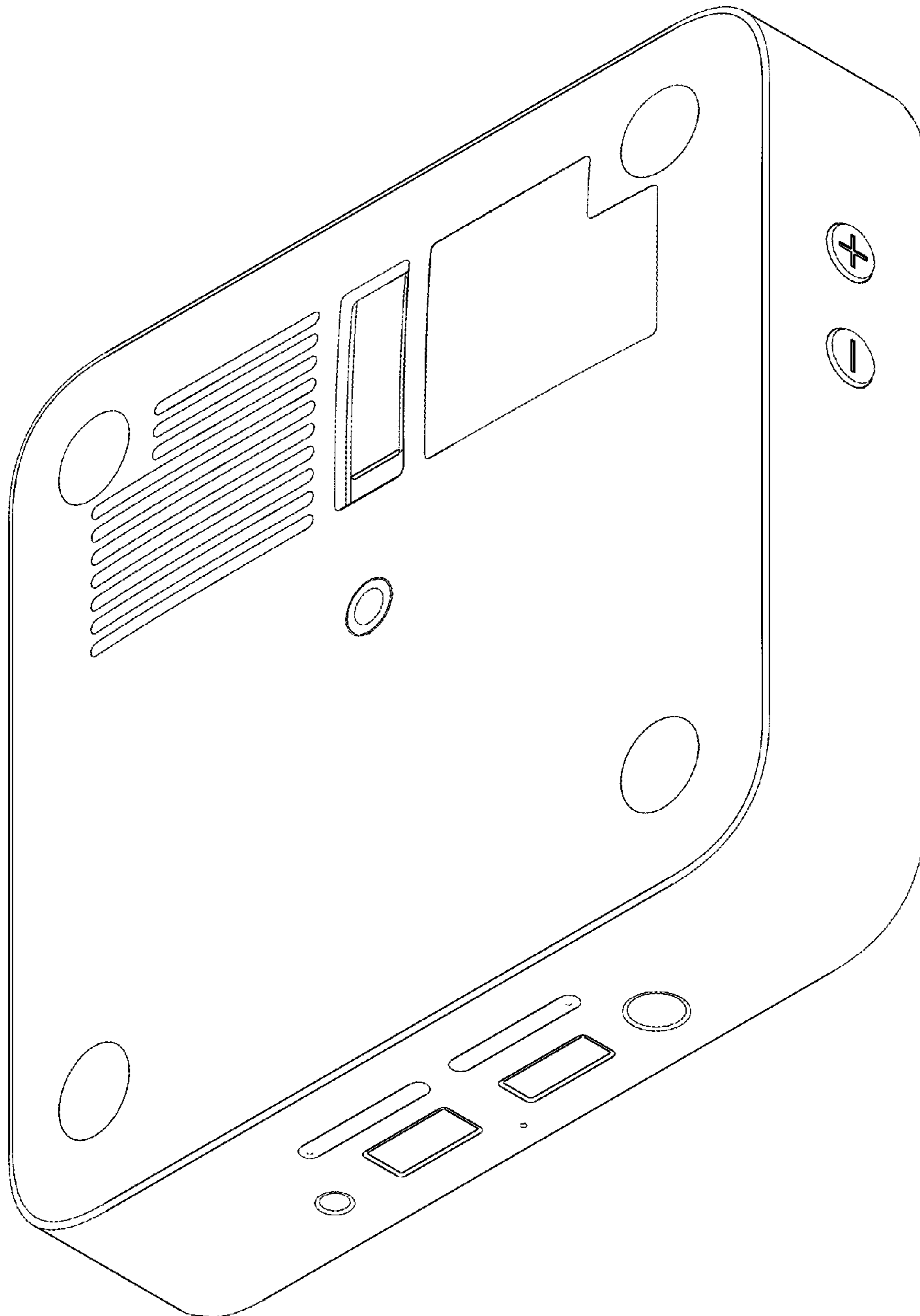


FIG.2

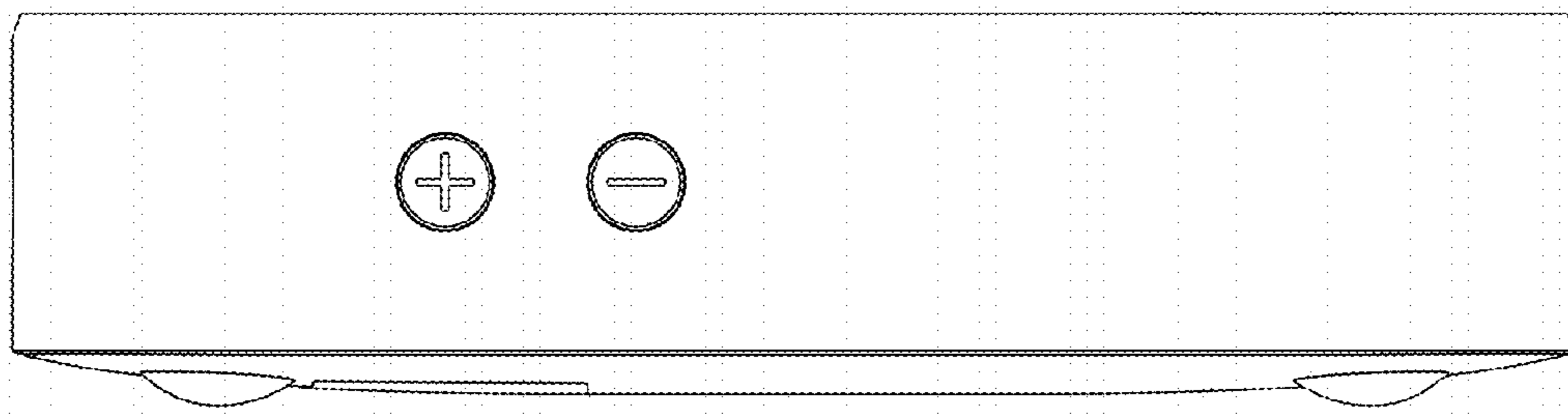


FIG.3

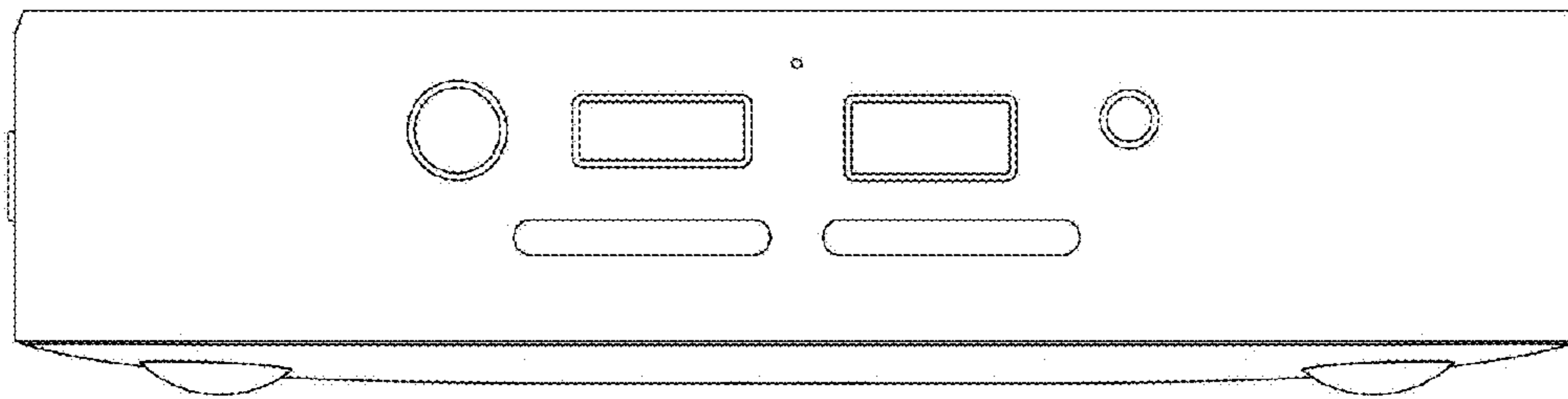


FIG.4

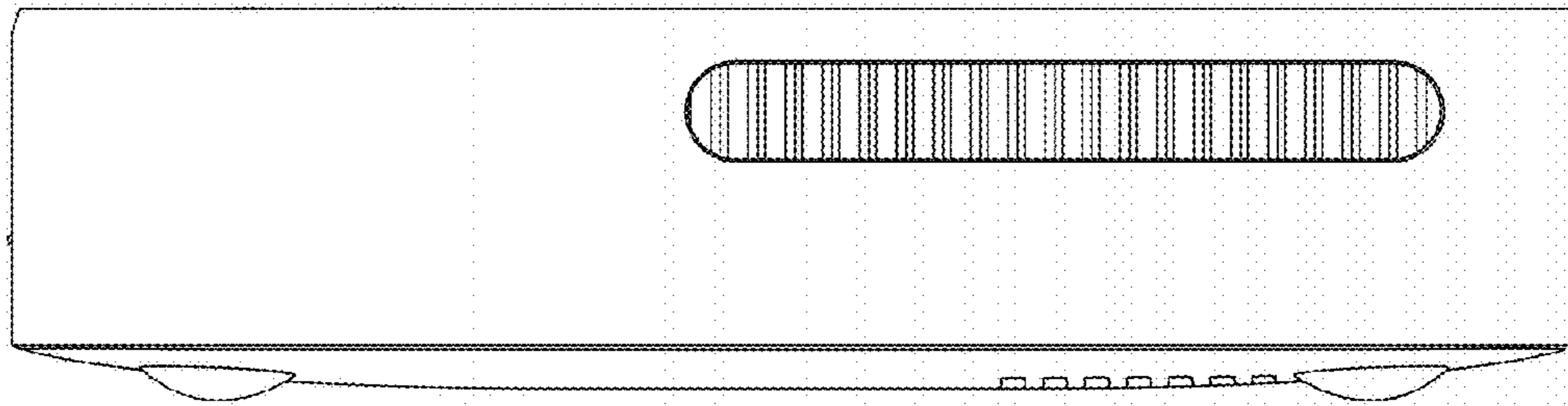


FIG.5

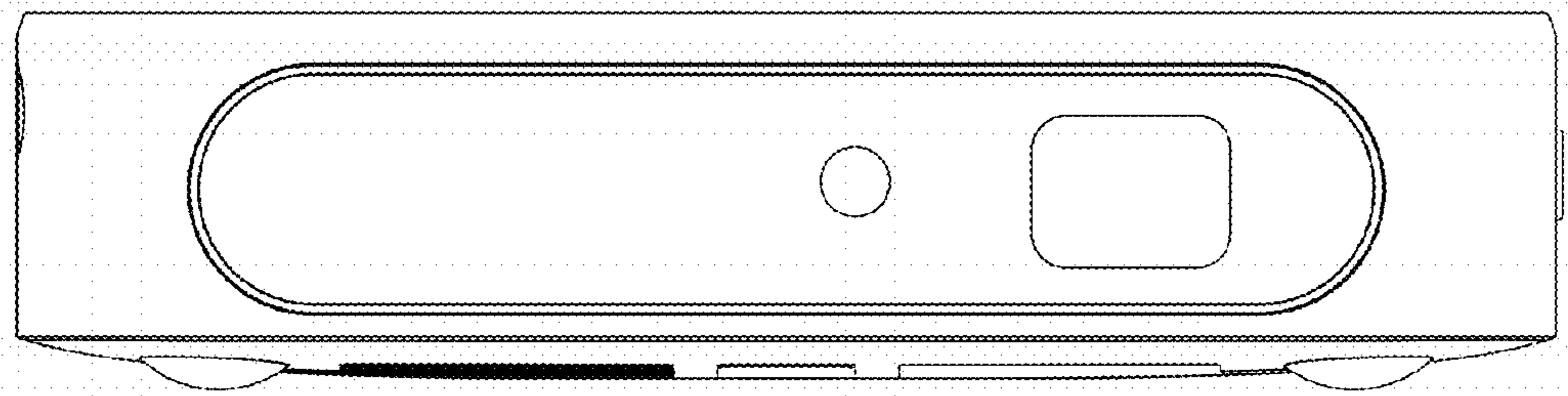


FIG. 6



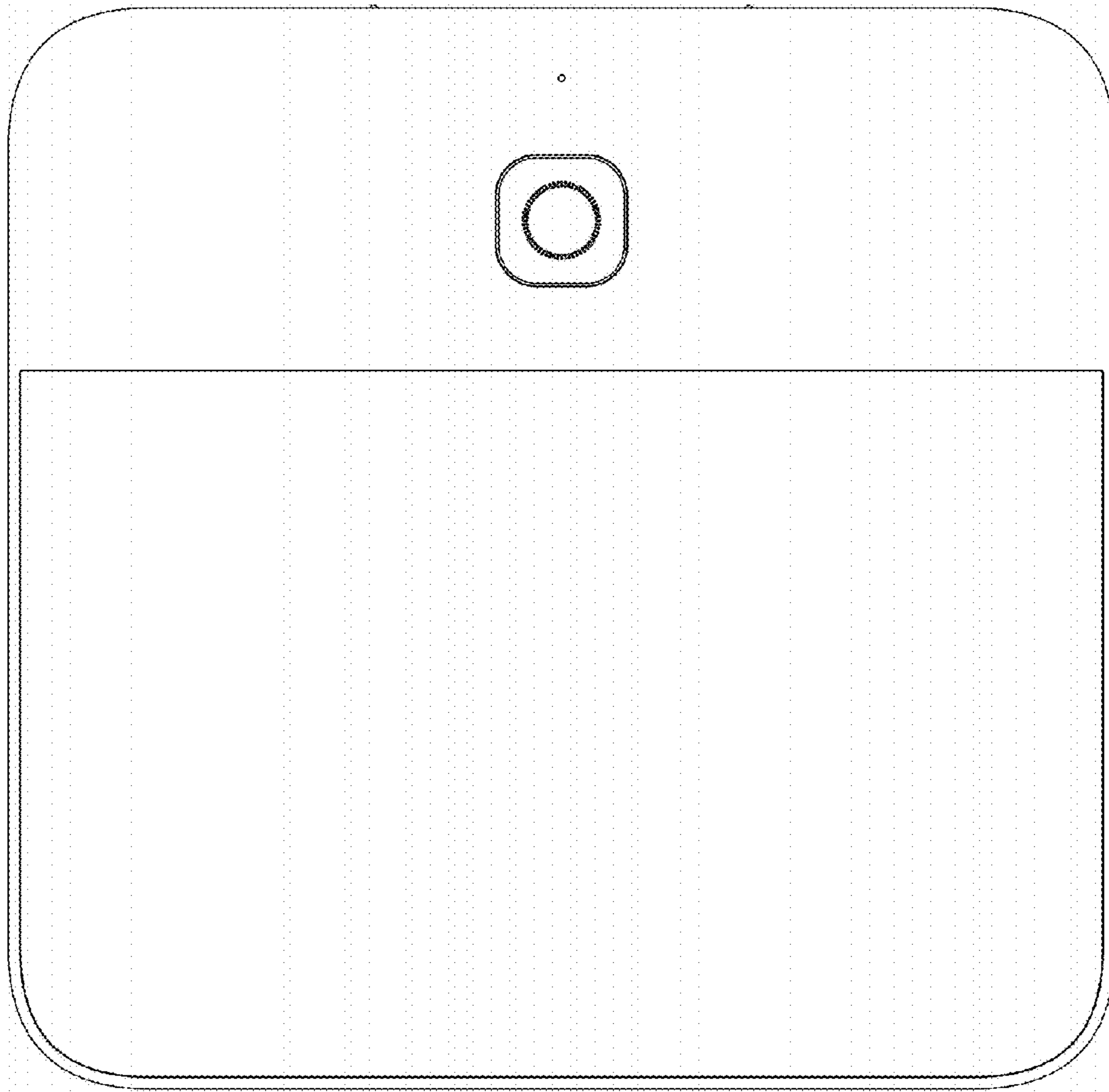


FIG.7



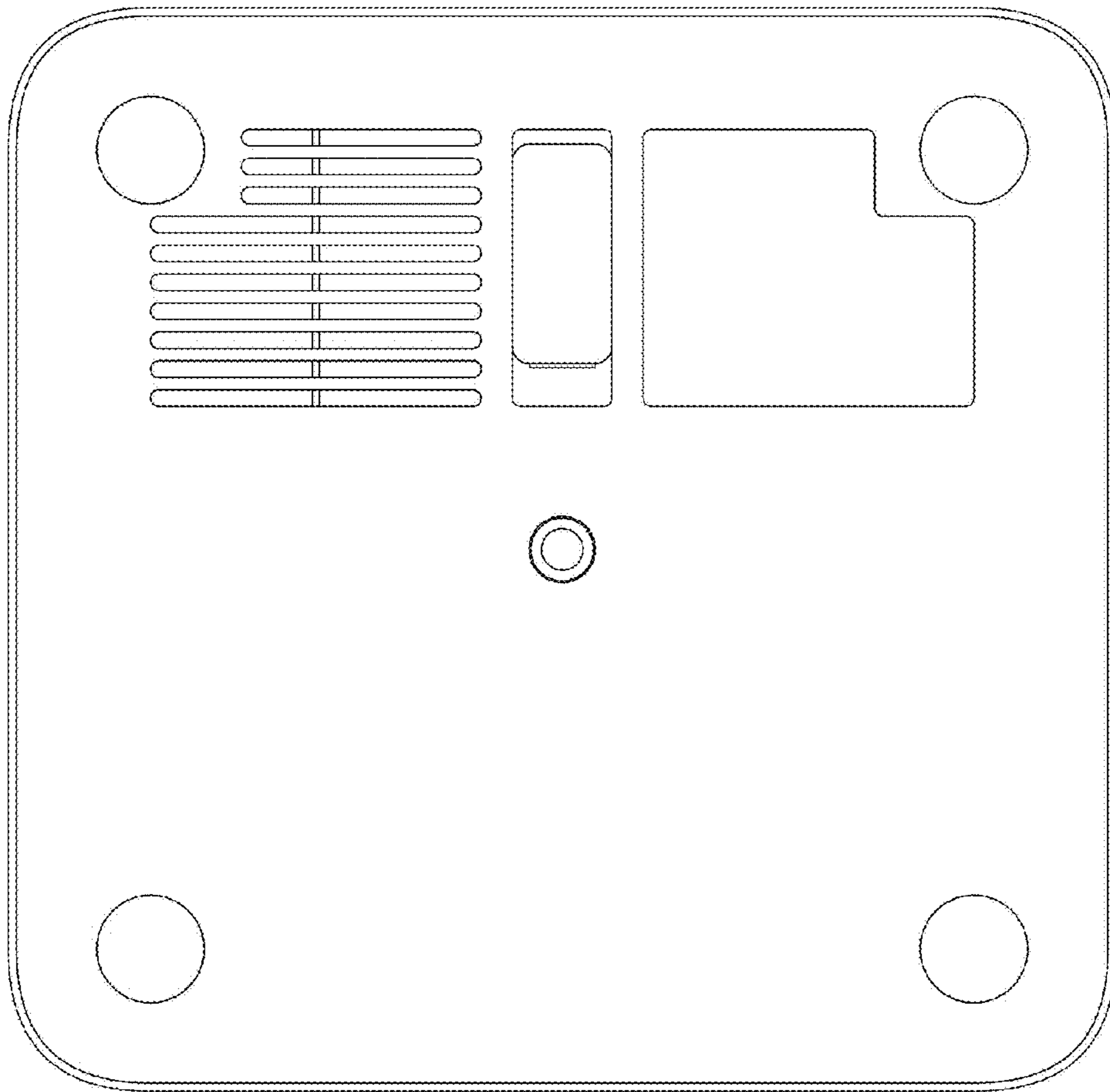


FIG. 8