



US00D754772S

(12) **United States Design Patent**
Nohara

(10) **Patent No.:** **US D754,772 S**
(45) **Date of Patent:** **** Apr. 26, 2016**

(54) **DIGITAL CAMERA BODY OF LENS REPLACING TYPE**

(71) Applicant: **OLYMPUS CORPORATION**,
Shibuya-ku, Tokyo (JP)

(72) Inventor: **Takeshi Nohara**, Hachioji (JP)

(73) Assignee: **OLYMPUS CORPORATION**, Tokyo
(JP)

(**) Term: **14 Years**

(21) Appl. No.: **29/518,616**

(22) Filed: **Feb. 25, 2015**

(30) **Foreign Application Priority Data**

Nov. 26, 2014 (JP) 2014-026382

(51) **LOC (10) Cl.** **16-05**

(52) **U.S. Cl.**
USPC **D16/219**

(58) **Field of Classification Search**

USPC D16/200, 202–206, 208, 217–219, 242,
D16/243; 348/373–376; 396/176–178, 420,
396/535, 539–541; 248/176.1, 187.1
CPC G03B 15/03; G03B 17/02; G03B 17/04;
G03B 17/56; G03B 19/04; H04N 5/2251;
H04N 5/2252; H04N 5/2253; H04N 5/2254;
H04N 2101/00

See application file for complete search history.

(56) **References Cited**

U.S. PATENT DOCUMENTS

5,852,752 A * 12/1998 Nakanishi G03B 15/05
396/176
D502,483 S * 3/2005 Takahashi D16/202

7,182,529 B2 * 2/2007 Kurosawa G03B 19/12
348/374
D542,321 S * 5/2007 Takahashi D16/202
D561,806 S * 2/2008 Funakoshi D16/202
D564,560 S * 3/2008 Funakoshi D16/200
D564,561 S * 3/2008 Takahashi D16/200
D581,440 S * 11/2008 Nakamura D16/202
D681,090 S * 4/2013 Tainaka D16/200
D716,359 S * 10/2014 Nohara D16/202
D720,787 S * 1/2015 Tainaka D16/202
D732,099 S * 6/2015 Nagaoka D16/202
D738,418 S * 9/2015 Imai D16/202

* cited by examiner

Primary Examiner — Adir Aronovich

Assistant Examiner — Ramzi Almatrahi

(74) *Attorney, Agent, or Firm* — Holtz, Holtz & Volek PC

(57) **CLAIM**

The ornamental design for a digital camera body of lens replacing type, as shown and described.

DESCRIPTION

FIG. 1 is a front, top and right side perspective view of a digital camera body of lens replacing type showing my new design;

FIG. 2 is a front elevational view thereof;

FIG. 3 is a rear elevational view thereof;

FIG. 4 is a top plan view thereof;

FIG. 5 is a bottom plan view thereof;

FIG. 6 is a right side elevational view thereof; and,

FIG. 7 is a left side elevational view thereof.

The broken lines depict portions of a digital camera body of lens replacing type in which the design is embodied and form no part of the claimed design.

1 Claim, 6 Drawing Sheets

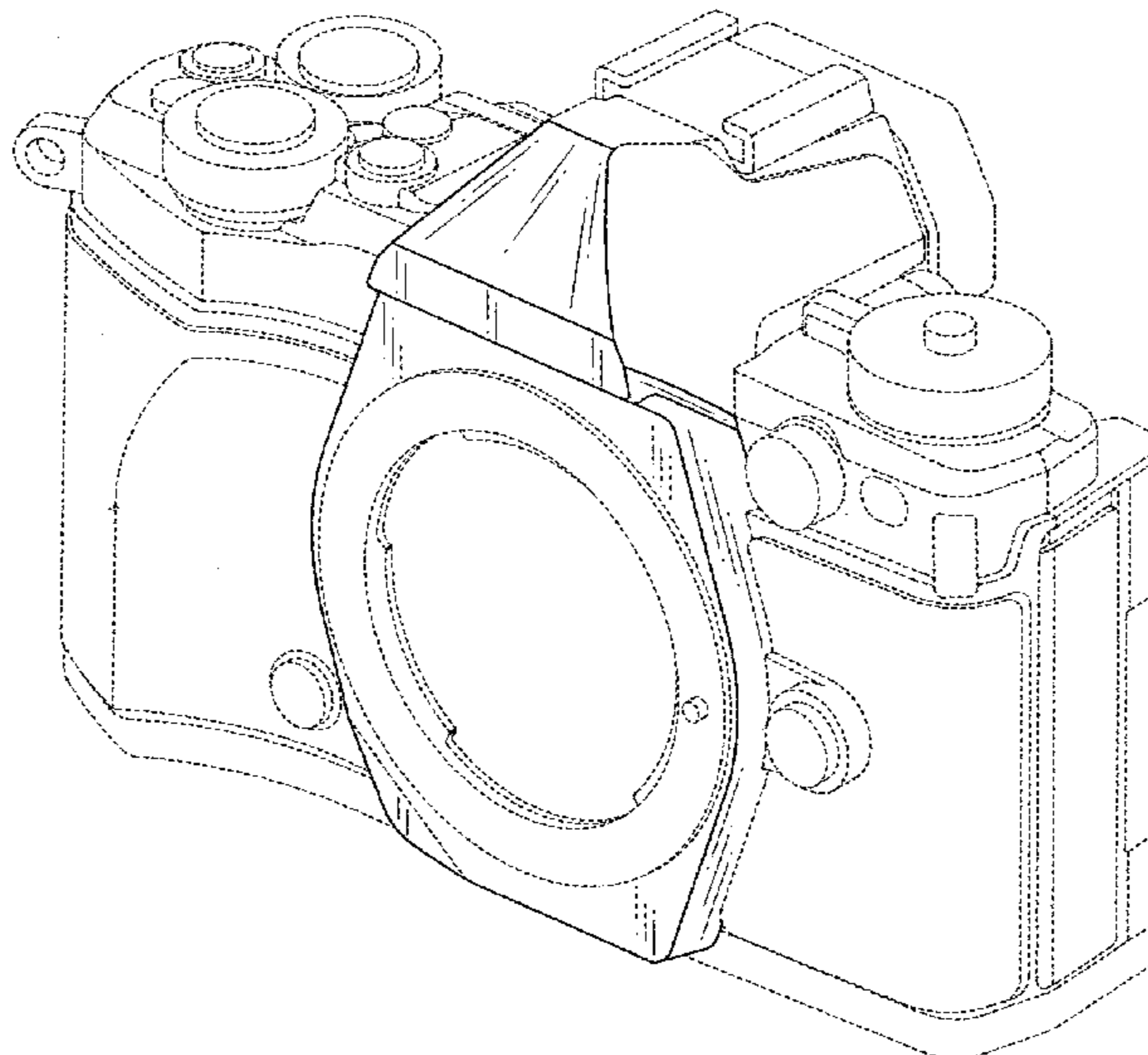


FIG.1

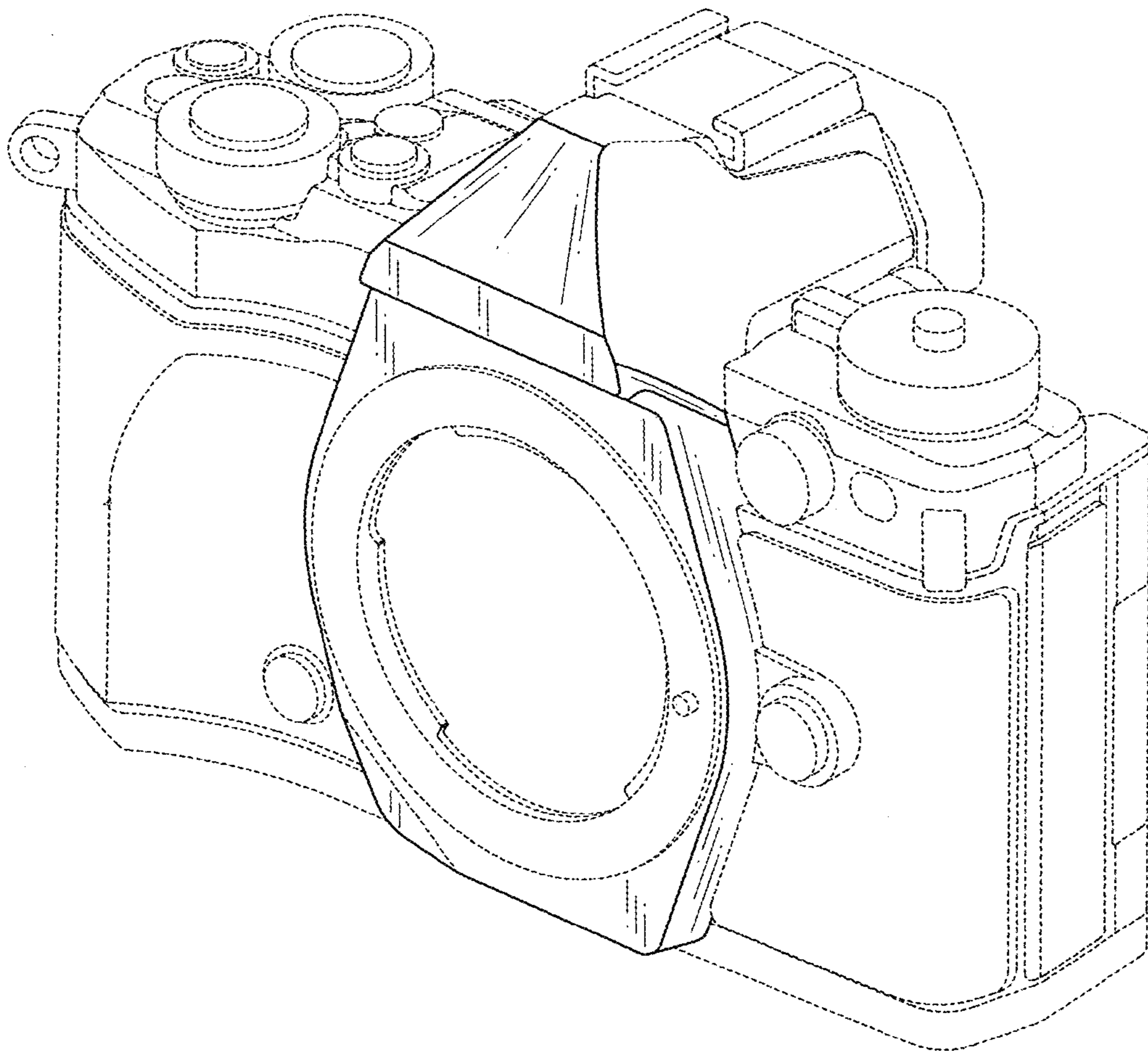


FIG.2

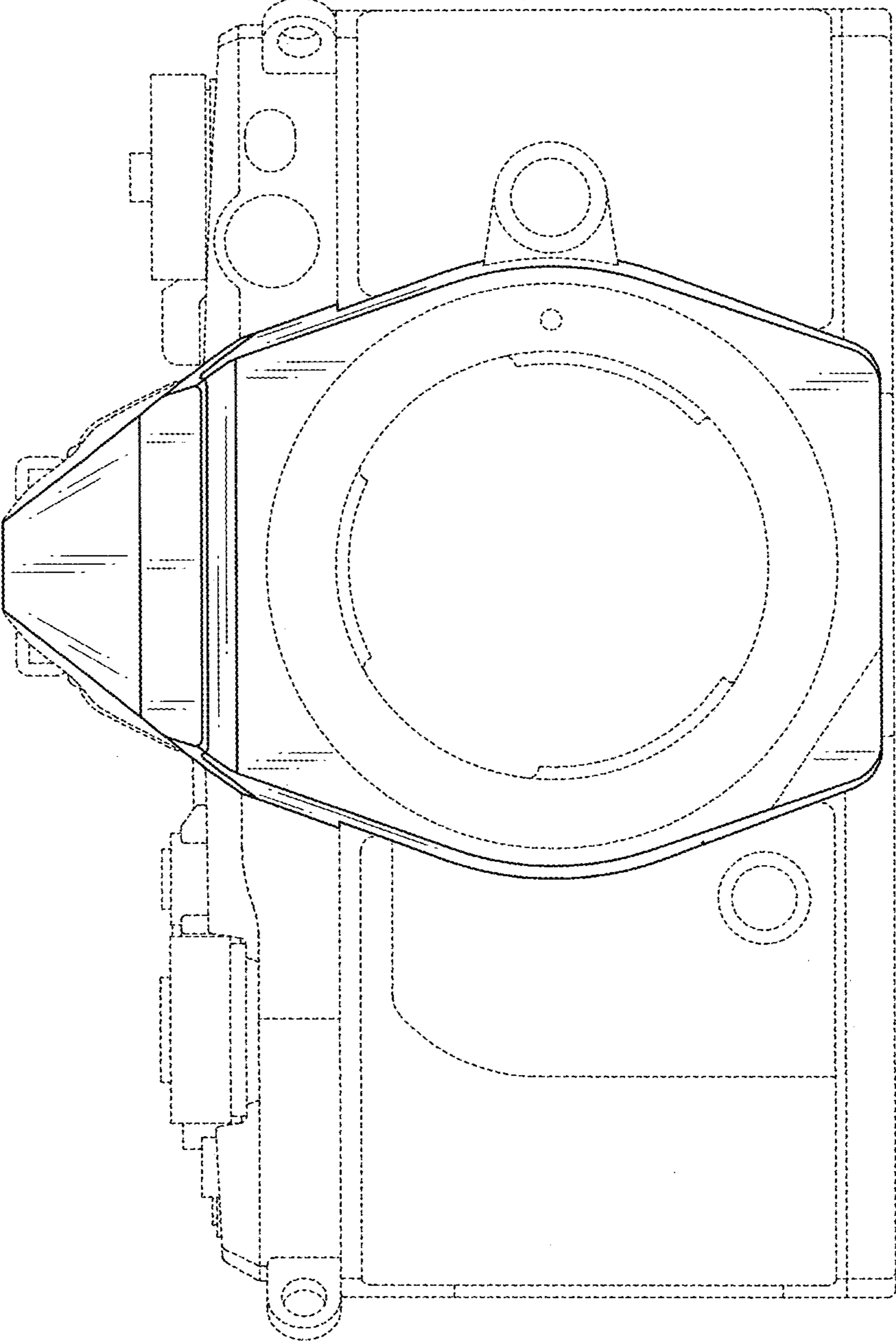


FIG.3

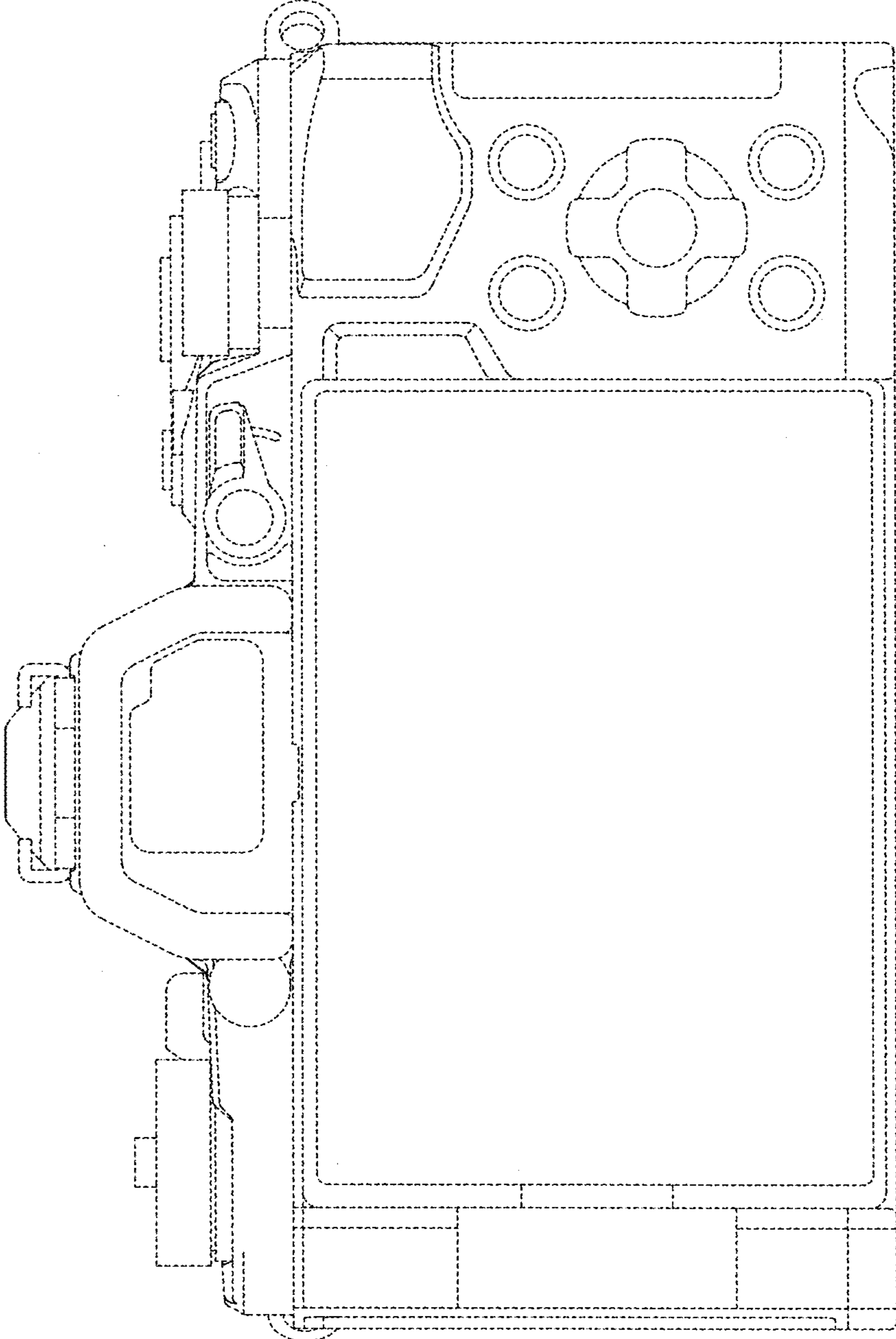


FIG.4

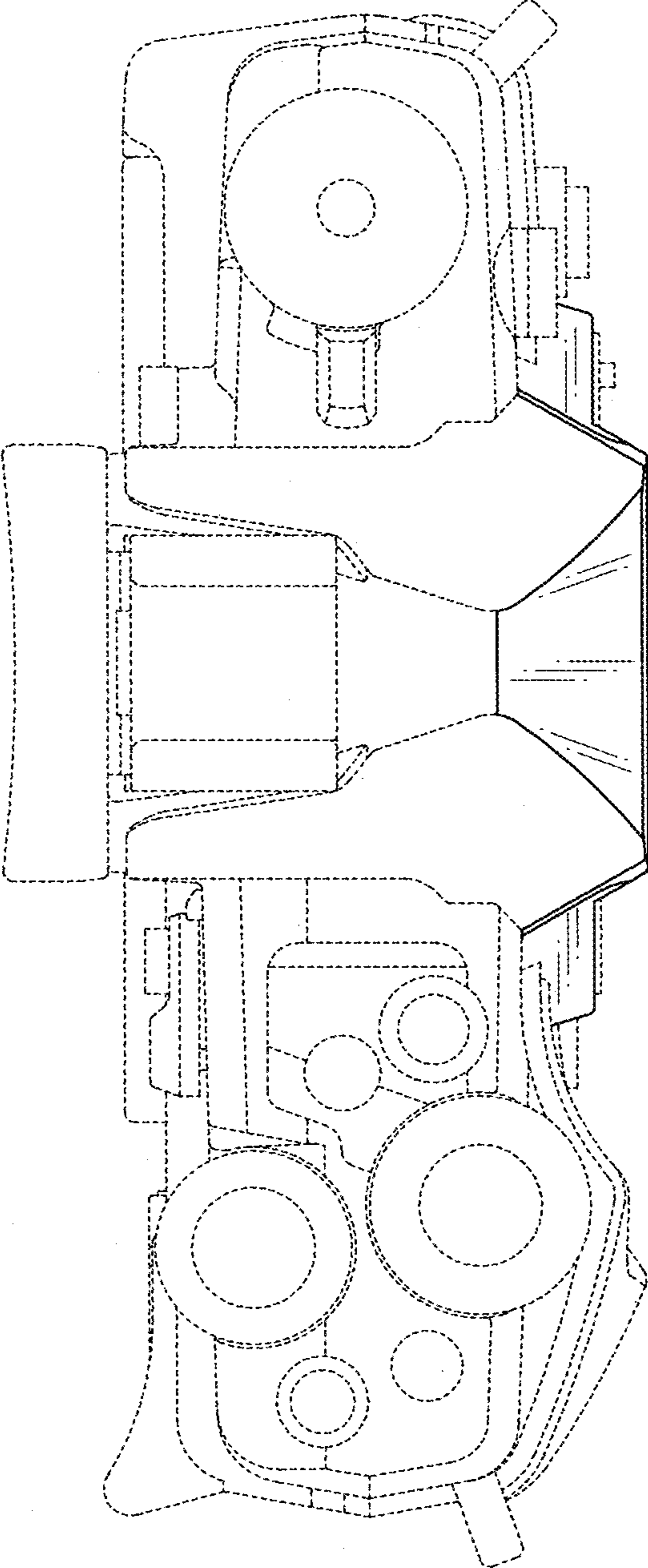


FIG. 5

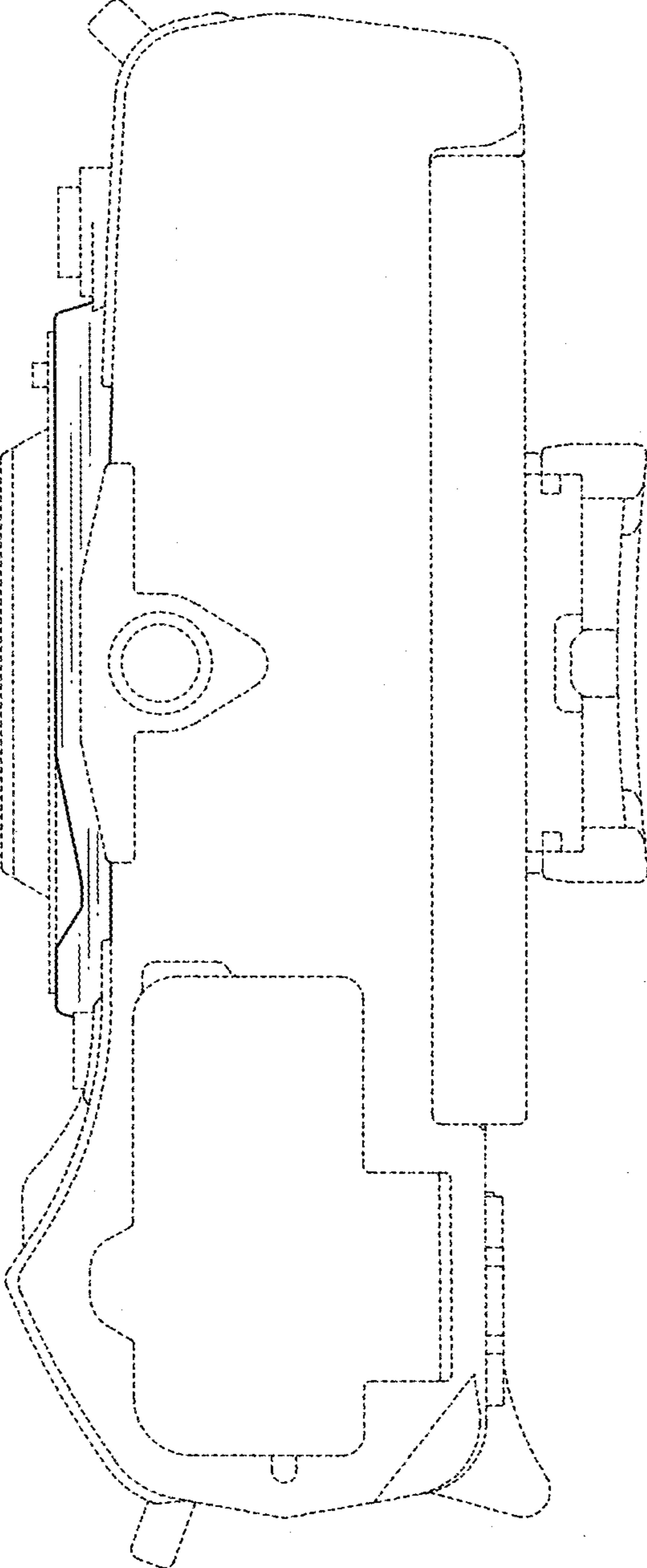


FIG.6

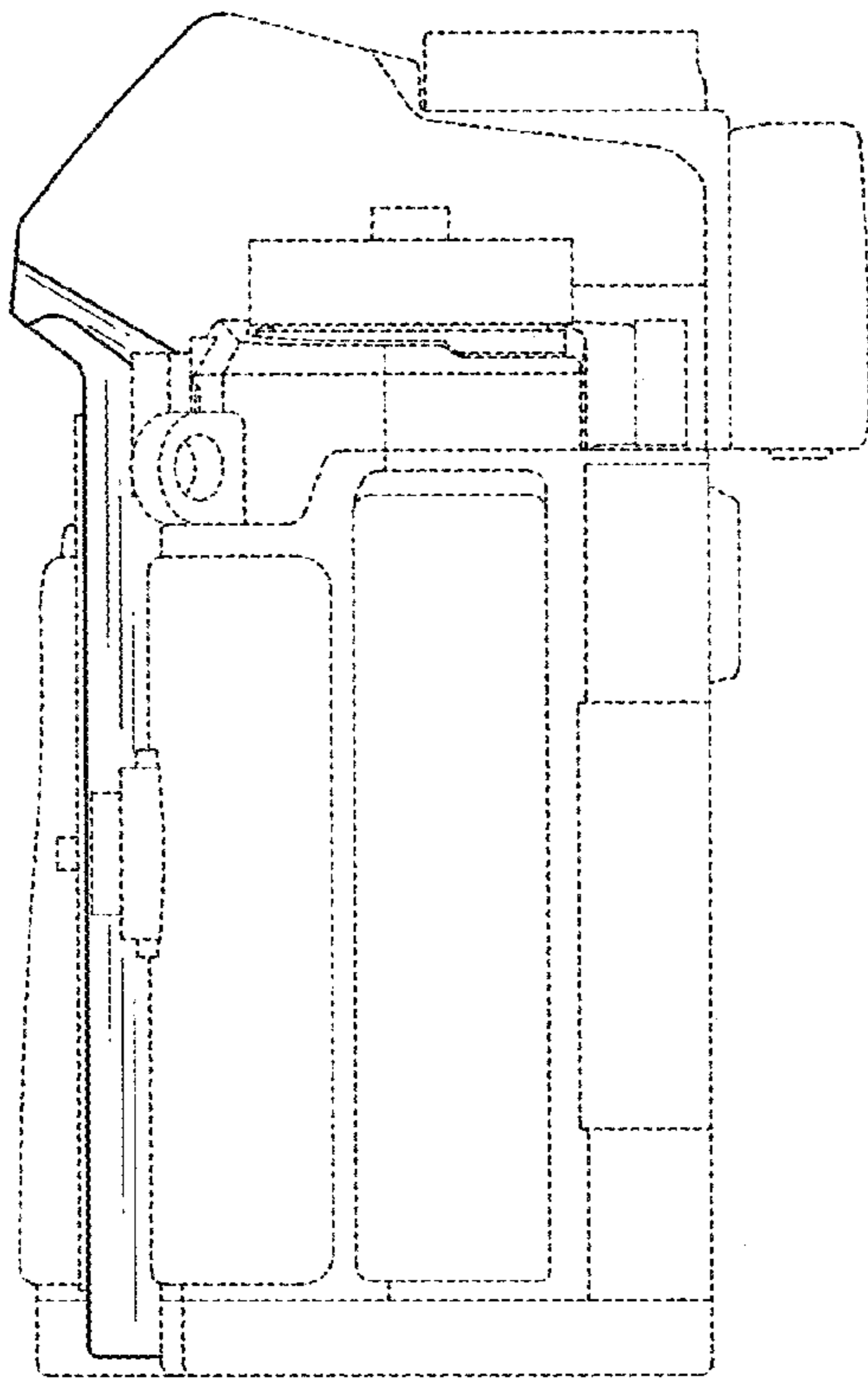


FIG.7

