



US00D754771S

(12) **United States Design Patent**  
**Nohara**

(10) **Patent No.:** **US D754,771 S**  
(45) **Date of Patent:** **\*\* Apr. 26, 2016**

(54) **DIGITAL CAMERA BODY OF LENS REPLACING TYPE**

(71) Applicant: **OLYMPUS CORPORATION**,  
Shibuya-ku, Tokyo (JP)

(72) Inventor: **Takeshi Nohara**, Hachioji (JP)

(73) Assignee: **OLYMPUS CORPORATION**, Tokyo  
(JP)

(\*\*) Term: **14 Years**

(21) Appl. No.: **29/518,612**

(22) Filed: **Feb. 25, 2015**

(30) **Foreign Application Priority Data**

Nov. 26, 2014 (JP) ..... 2014-026383

(51) **LOC (10) Cl.** ..... **16-05**

(52) **U.S. Cl.**  
USPC ..... **D16/219**

(58) **Field of Classification Search**

USPC ..... D16/200, 202–206, 208, 217–219, 242,  
D16/243; 348/373–376; 396/176–178, 420,  
396/535, 539–541; 248/176.1, 187.1  
CPC ..... G03B 15/03; G03B 17/02; G03B 17/04;  
G03B 17/56; G03B 19/04; H04N 5/2251;  
H04N 5/2252; H04N 5/2253; H04N 5/2254;  
H04N 2101/00

See application file for complete search history.

(56) **References Cited**

**U.S. PATENT DOCUMENTS**

D253,475 S \* 11/1979 Kramer ..... D16/217  
5,852,752 A \* 12/1998 Nakanishi ..... G03B 15/05  
396/176

6,351,609 B1 \* 2/2002 Hosokawa ..... G03B 15/03  
396/177  
D523,051 S \* 6/2006 Takahashi ..... D16/202  
D564,561 S \* 3/2008 Takahashi ..... D16/200  
D681,090 S \* 4/2013 Tainaka ..... D16/200  
D683,382 S \* 5/2013 Tainaka ..... D16/200  
D701,257 S \* 3/2014 Ogawa ..... D16/202  
D701,550 S \* 3/2014 Umehara ..... D16/202  
D719,993 S \* 12/2014 Soejima ..... D16/202  
D720,787 S \* 1/2015 Tainaka ..... D16/202  
D732,099 S \* 6/2015 Nagaoka ..... D16/202  
D738,418 S \* 9/2015 Imai ..... D16/202

\* cited by examiner

*Primary Examiner* — Adir Aronovich

*Assistant Examiner* — Ramzi Almatrahi

(74) *Attorney, Agent, or Firm* — Holtz, Holtz & Volek PC

(57) **CLAIM**

The ornamental design for a digital camera body of lens replacing type, as shown and described.

**DESCRIPTION**

FIG. 1 is a front, top and right side perspective view of a digital camera body of lens replacing type showing my new design;

FIG. 2 is a front elevational view thereof;

FIG. 3 is a rear elevational view thereof;

FIG. 4 is a top plan view thereof;

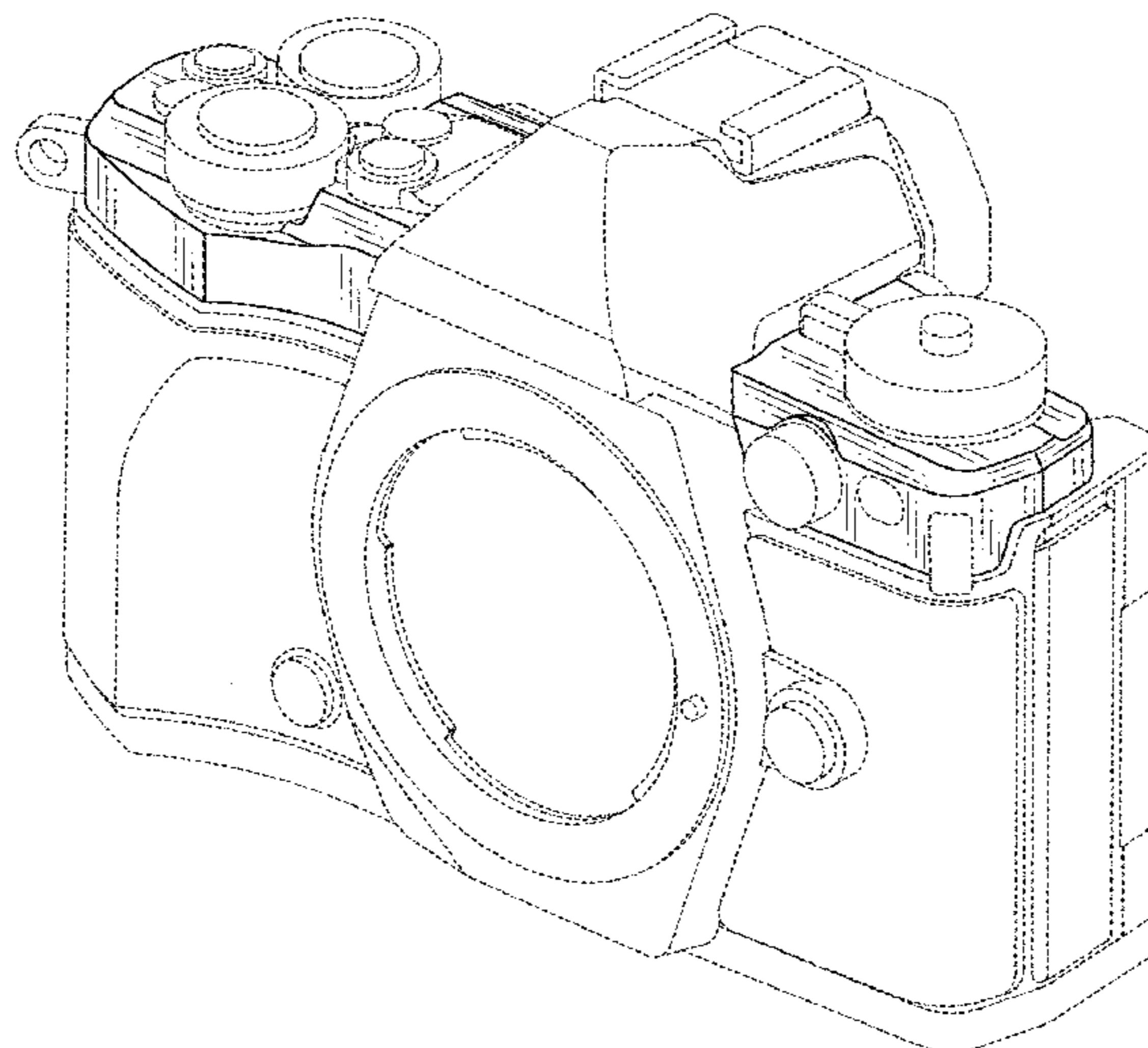
FIG. 5 is a bottom plan view thereof;

FIG. 6 is a right side elevational view thereof; and,

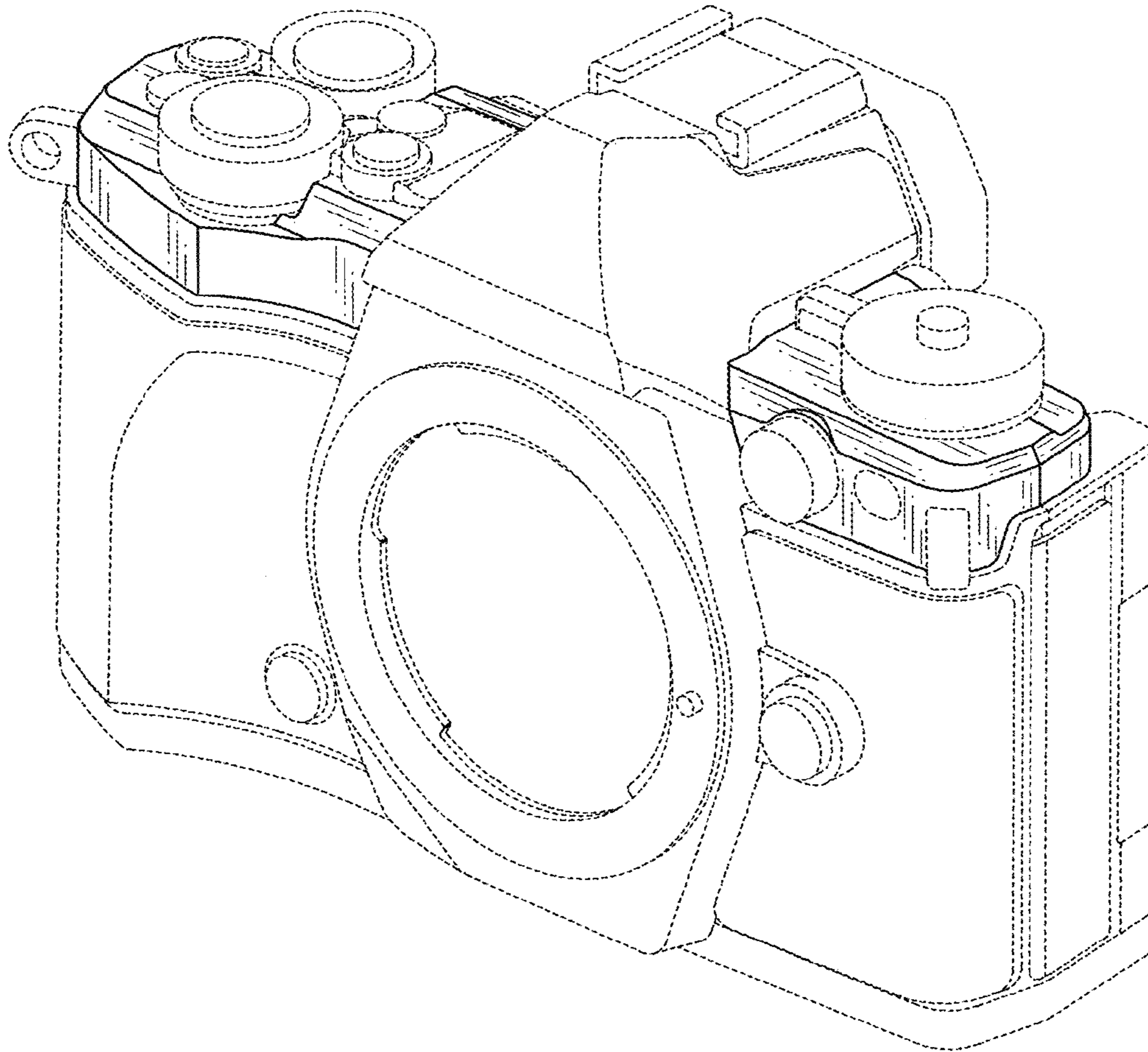
FIG. 7 is a left side elevational view thereof.

The broken lines depict portions of a digital camera body of lens replacing type in which the design is embodied and form no part of the claimed design.

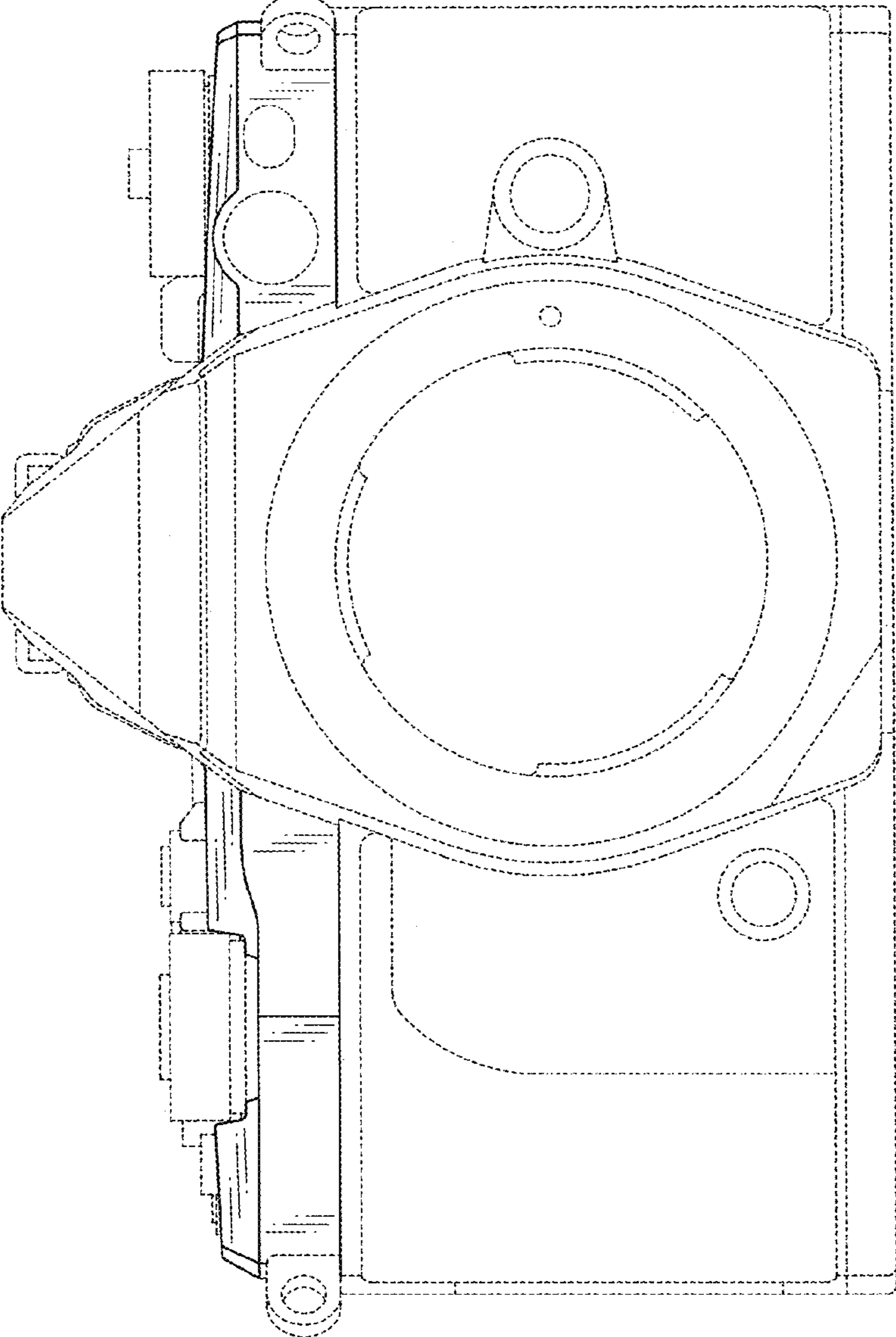
**1 Claim, 6 Drawing Sheets**



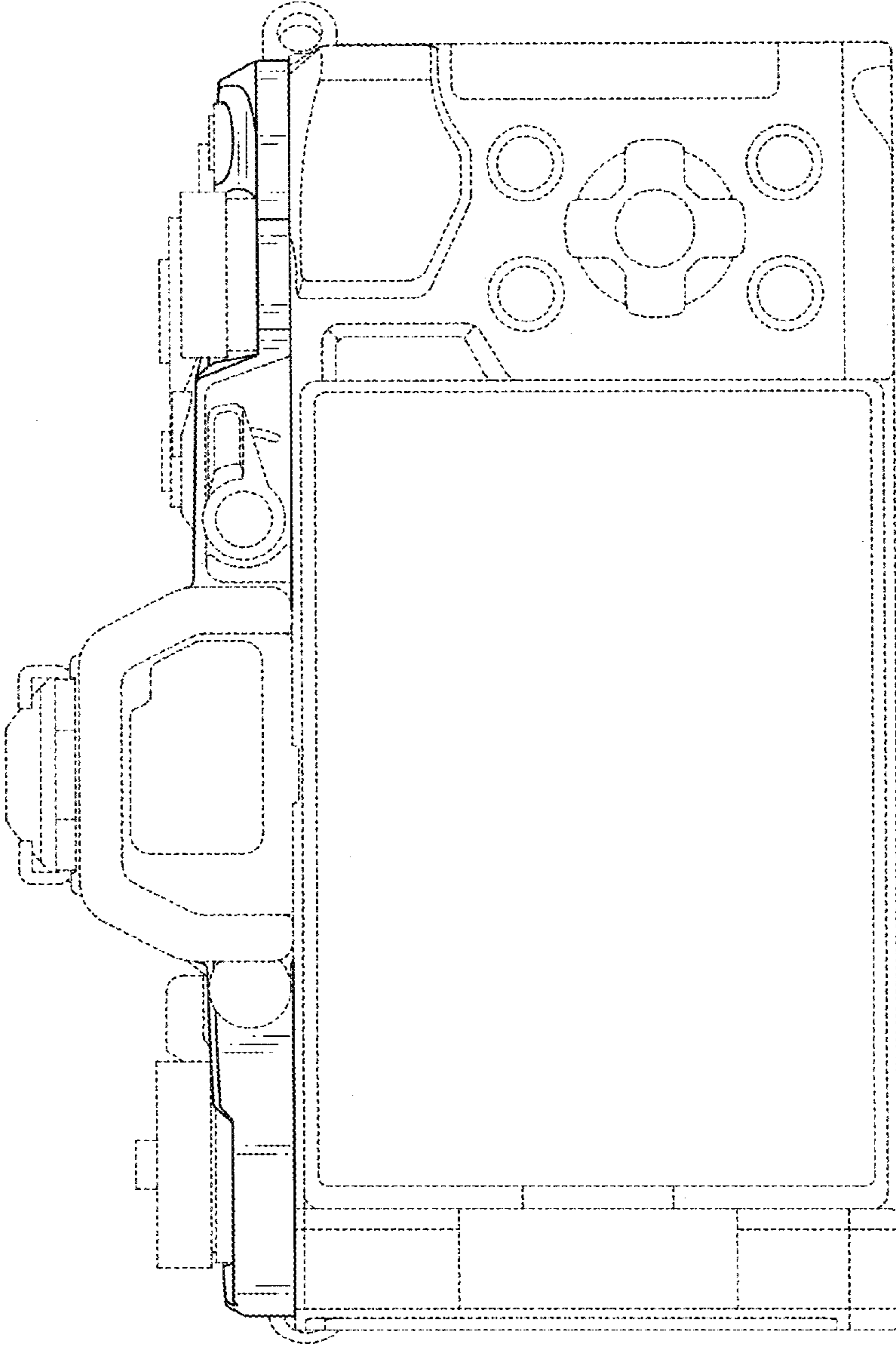
**FIG. 1**



**FIG. 2**

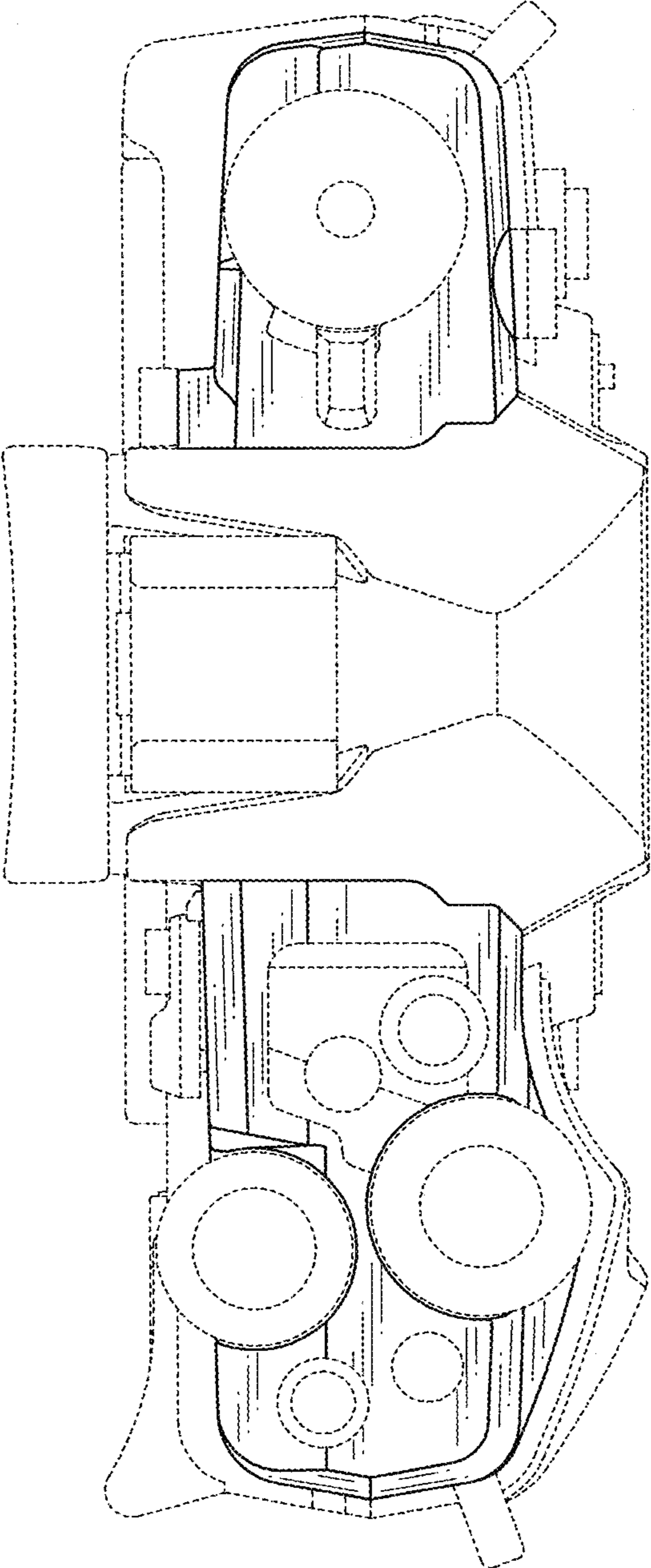


**FIG. 3**

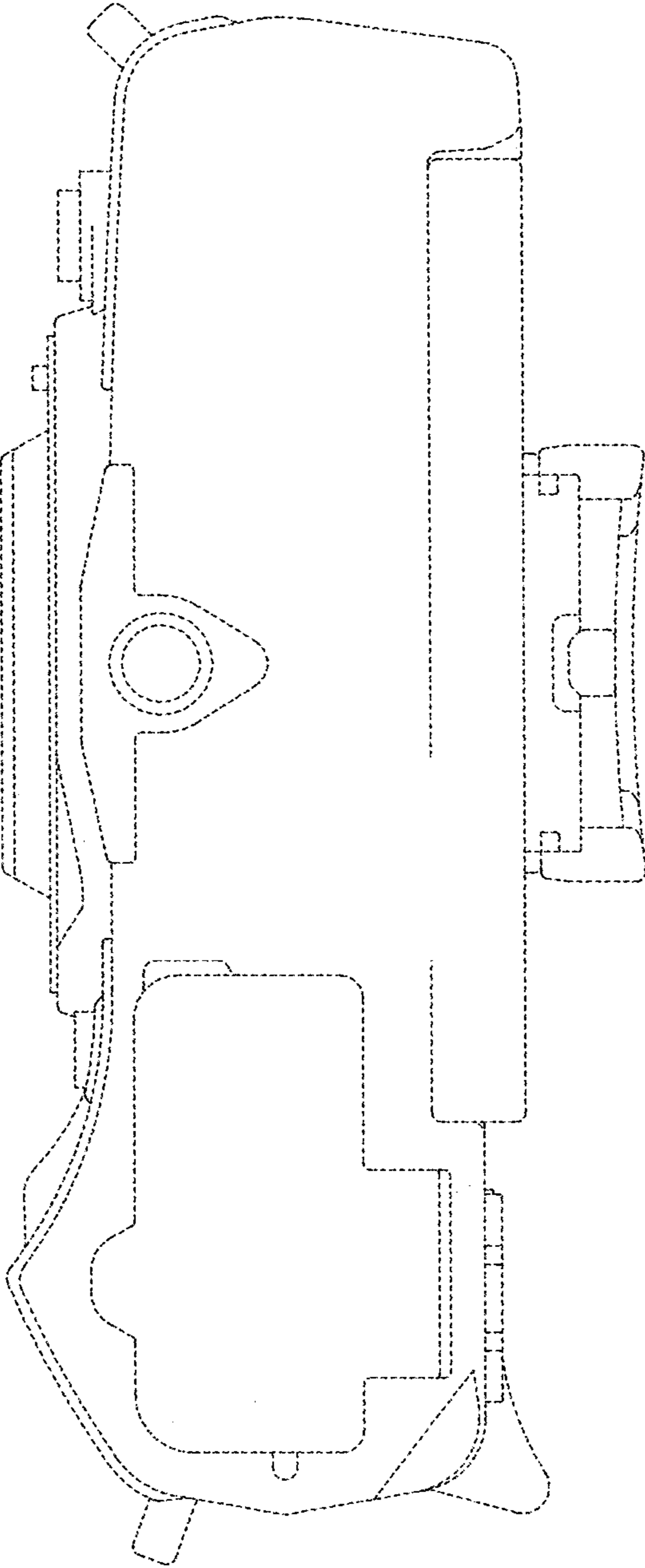




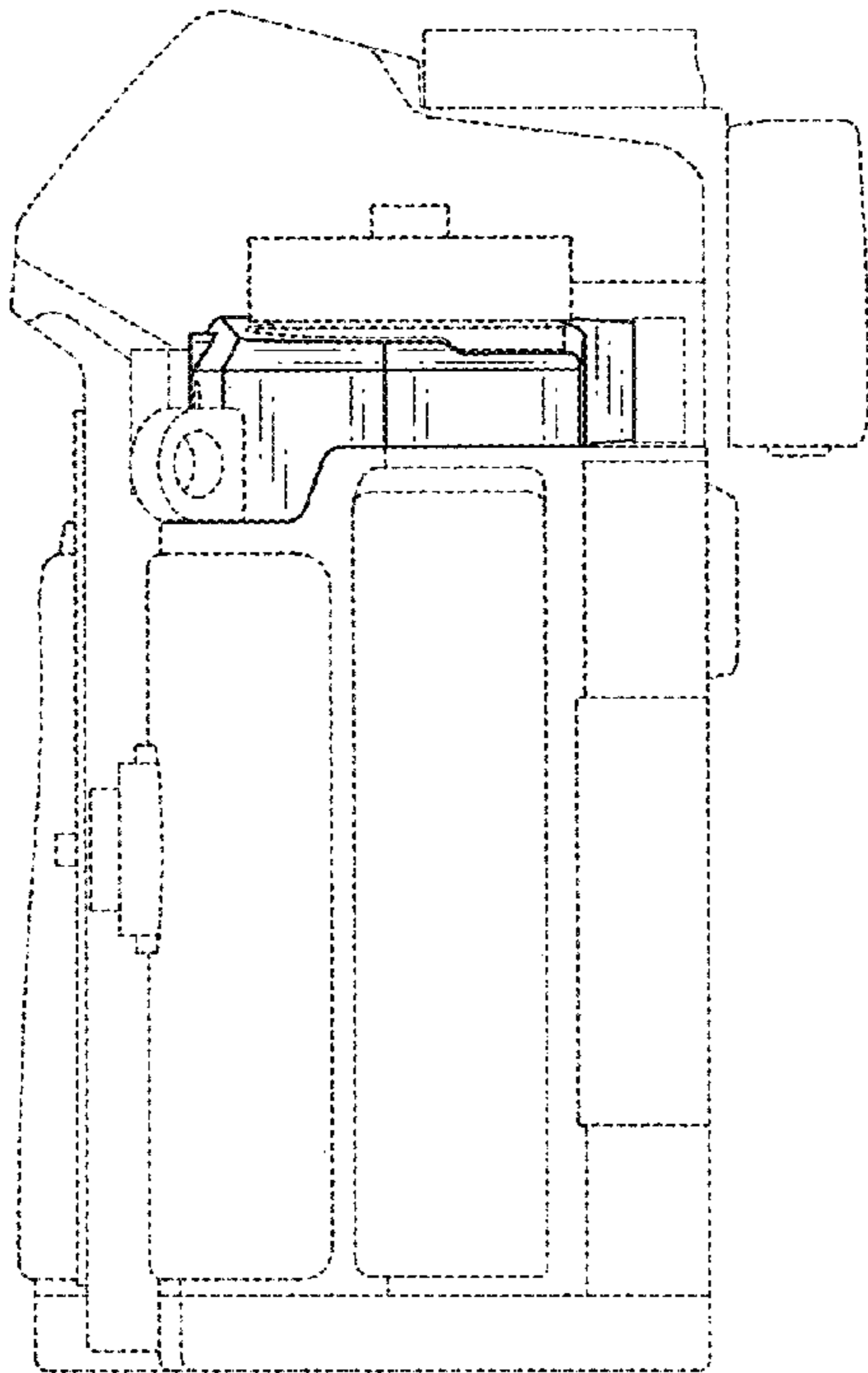
**FIG.4**



**FIG. 5**



**FIG.6**



**FIG.7**

