



US00D754770S

(12) **United States Design Patent**
Schmidt et al.

(10) **Patent No.:** **US D754,770 S**
(45) **Date of Patent:** **** Apr. 26, 2016**

(54) **CAMERA**

(71) Applicant: **LYVE MINDS, INC.**, Cupertino, CA (US)
(72) Inventors: **Peter O. Schmidt**, San Jose, CA (US); **Mihnea Calin Pacurariu**, Los Gatos, CA (US); **David Hoenig**, Cupertino, CA (US); **Andreas von Sneidern**, San Jose, CA (US); **Jeanette Marie Numbers**, Providence, RI (US); **Gregor Mittersinker**, Warwick, RI (US)
(73) Assignee: **LYVE MINDS, INC.**, Cupertino, CA (US)

(**) Term: **14 Years**

(21) Appl. No.: **29/478,375**

(22) Filed: **Jan. 3, 2014**

(51) **LOC (10) Cl.** **16-01**

(52) **U.S. Cl.**
USPC **D16/218**

(58) **Field of Classification Search**
USPC D16/200, 202–208, 210, 218, 219;
348/143, 148, 151, 373–376; 396/419,
396/427, 535–541
CPC G03B 15/03; G03B 17/02; G03B 17/04;
G03B 17/56; G03B 19/04; H04N 5/2251;
H04N 5/2252; H04N 5/2253; H04N 5/2254;
H04N 2101/00

See application file for complete search history.

(56) **References Cited**

U.S. PATENT DOCUMENTS

6,637,952	B2 *	10/2003	Arbuckle et al.	396/427
D484,159	S *	12/2003	Cheng	D16/203
D528,576	S *	9/2006	Chung et al.	D16/202
D529,528	S *	10/2006	Ross et al.	D16/200
D551,275	S *	9/2007	Kim	D16/203
D556,234	S *	11/2007	Pena Angarita	D16/203
D582,460	S *	12/2008	Yoo et al.	D16/203
D611,979	S *	3/2010	Frank et al.	D16/202
D621,435	S *	8/2010	Green et al.	D16/219
D629,435	S *	12/2010	Barley et al.	D16/202
D631,495	S *	1/2011	Lee et al.	D16/202
D638,870	S *	5/2011	Kim et al.	D16/202
D640,721	S *	6/2011	Satine	D16/204
D687,875	S *	8/2013	Sasaki	D16/202
D694,797	S *	12/2013	Parker	D16/203
D709,118	S *	7/2014	Yu	D16/204
2007/0223915	A1 *	9/2007	Yi	396/535

* cited by examiner

Primary Examiner — Adir Aronovich
Assistant Examiner — Ramzi Almatrahi
(74) *Attorney, Agent, or Firm* — Maschoff Brennan

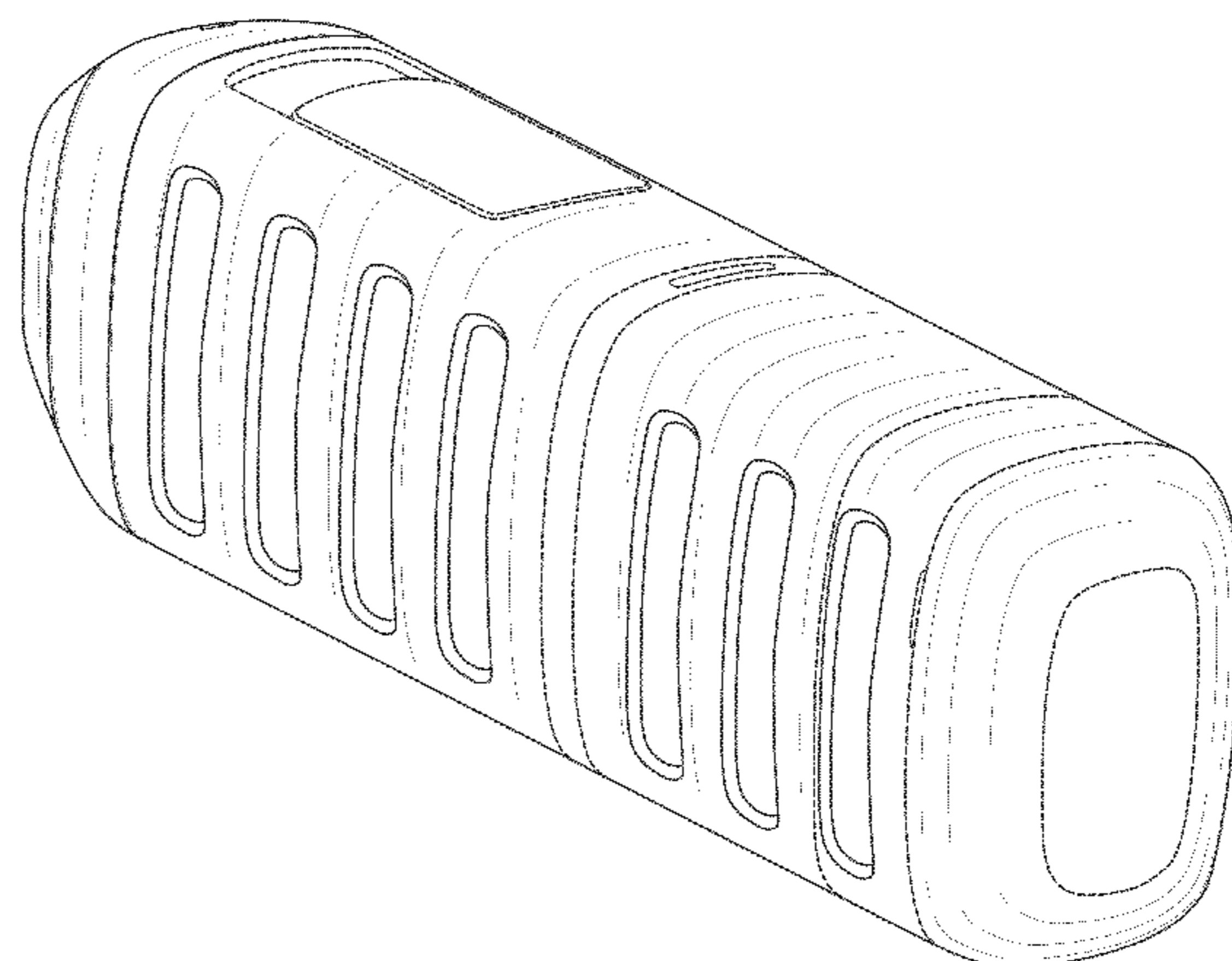
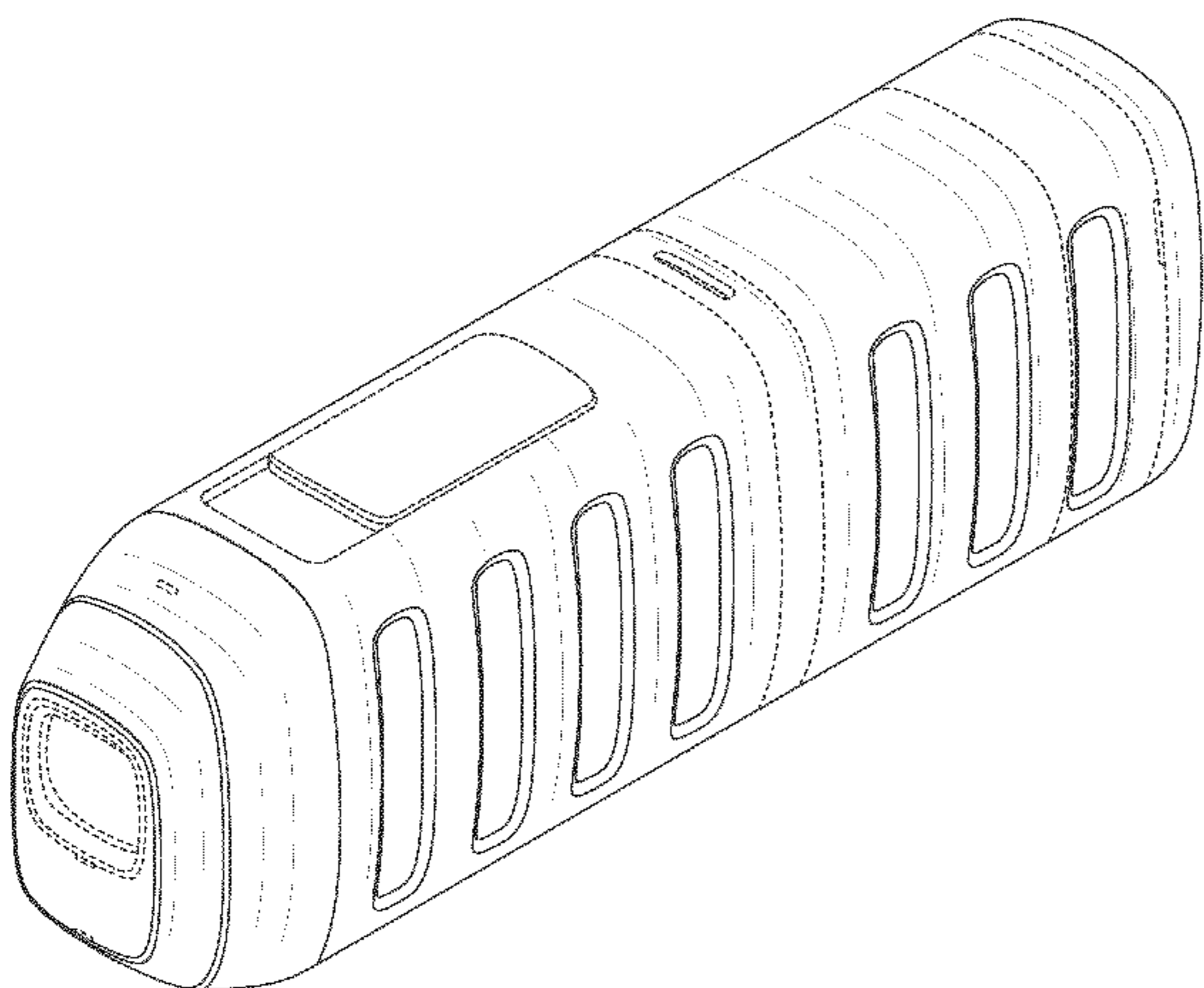
(57) **CLAIM**

The ornamental design for a camera, as shown and described.

DESCRIPTION

FIG. 1 is a front perspective view of a camera showing our new design;
FIG. 2 is a rear perspective view thereof;
FIG. 3 is a left side elevation view thereof;
FIG. 4 is a front elevation view thereof;
FIG. 5 is a right side elevation view thereof;
FIG. 6 is a rear elevation view thereof;
FIG. 7 is a top plan view thereof; and,
FIG. 8 is a bottom plan view thereof.
The broken lines depict portion of a camera in which the design is embodied and form no part of the claimed design.

1 Claim, 5 Drawing Sheets



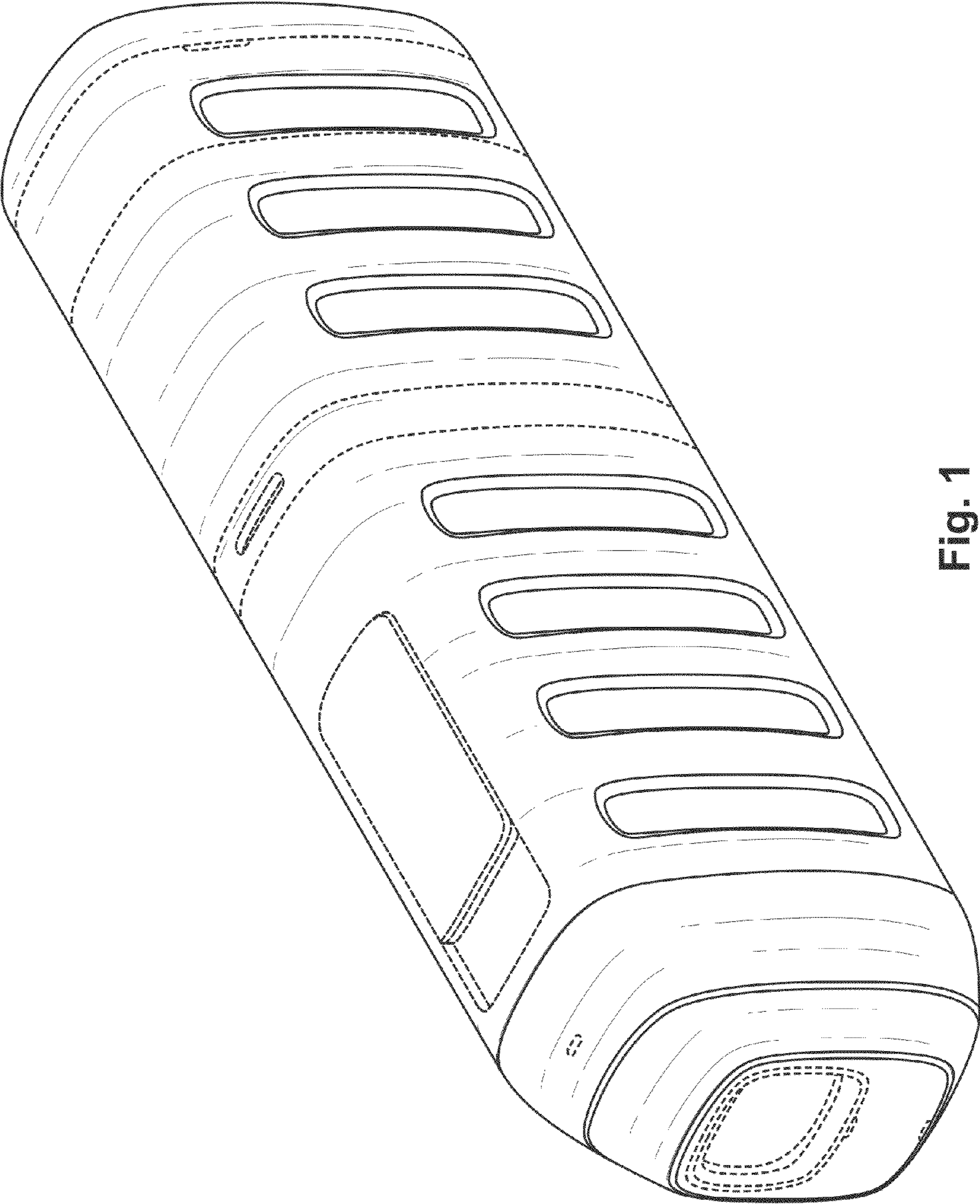


Fig. 1

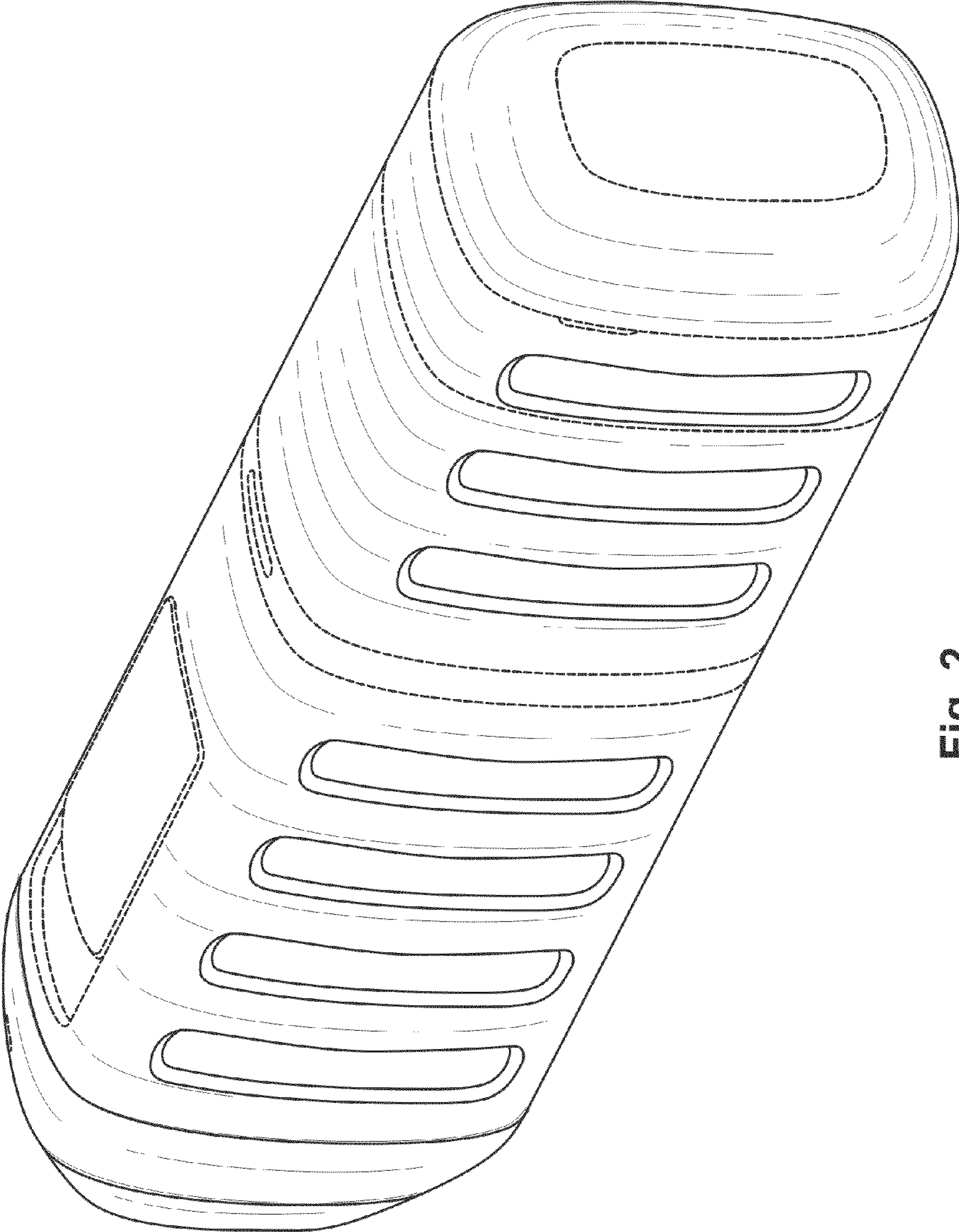


Fig. 2

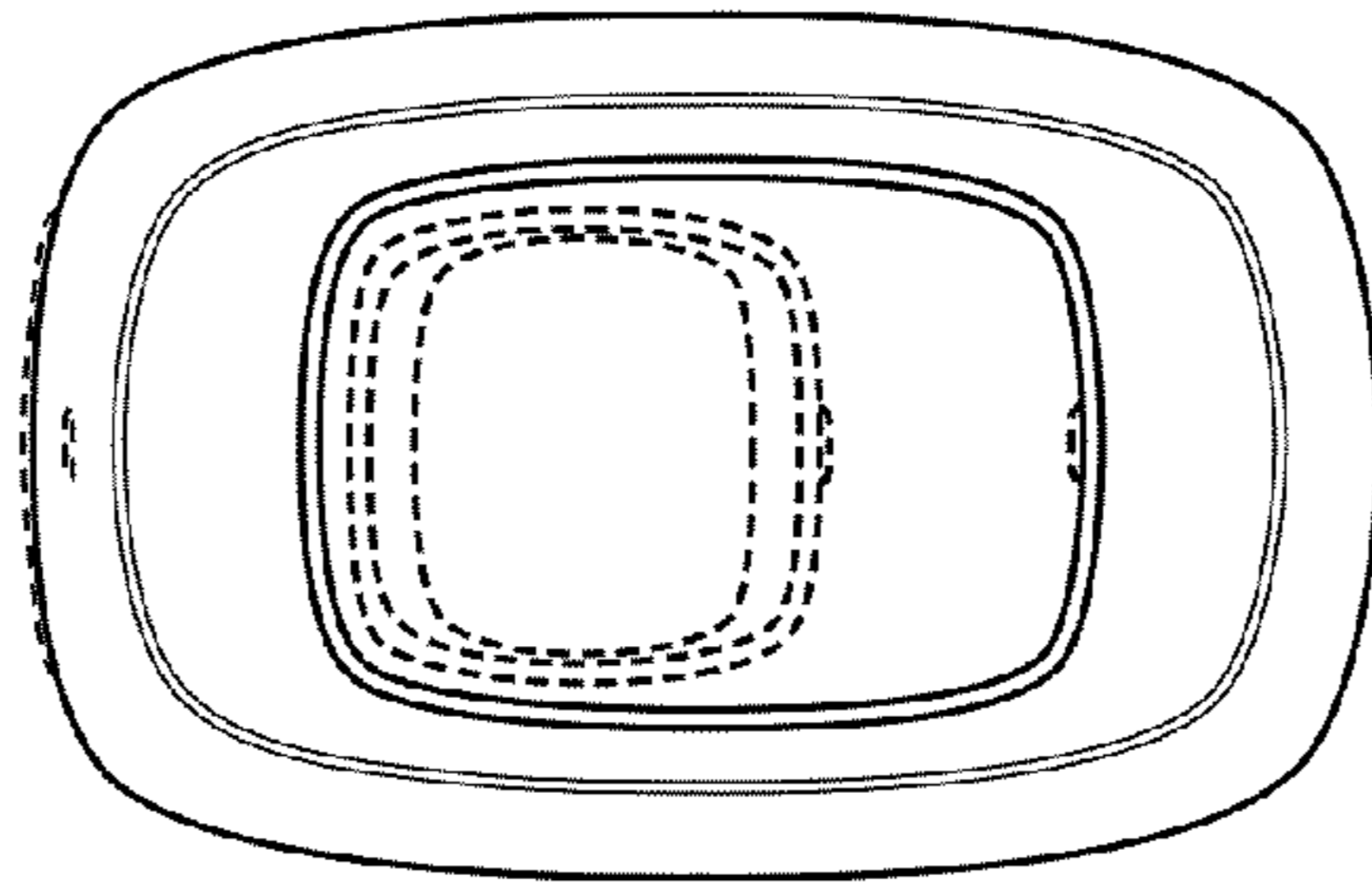


Fig. 4

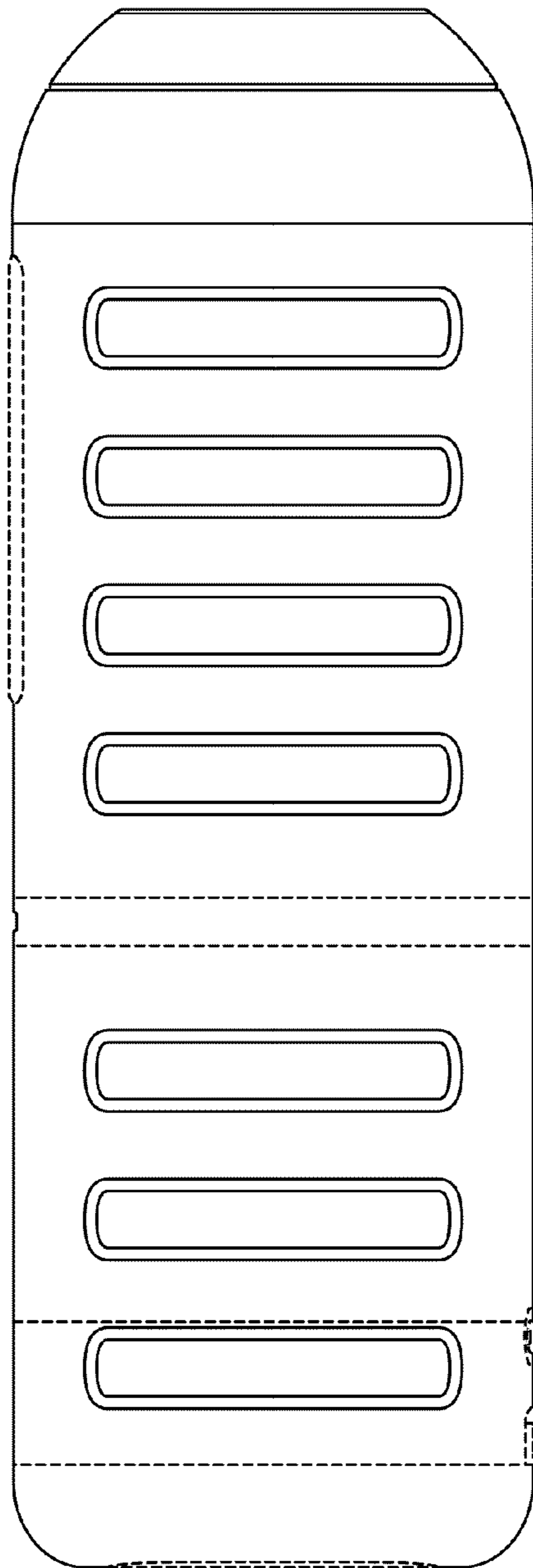


Fig. 3

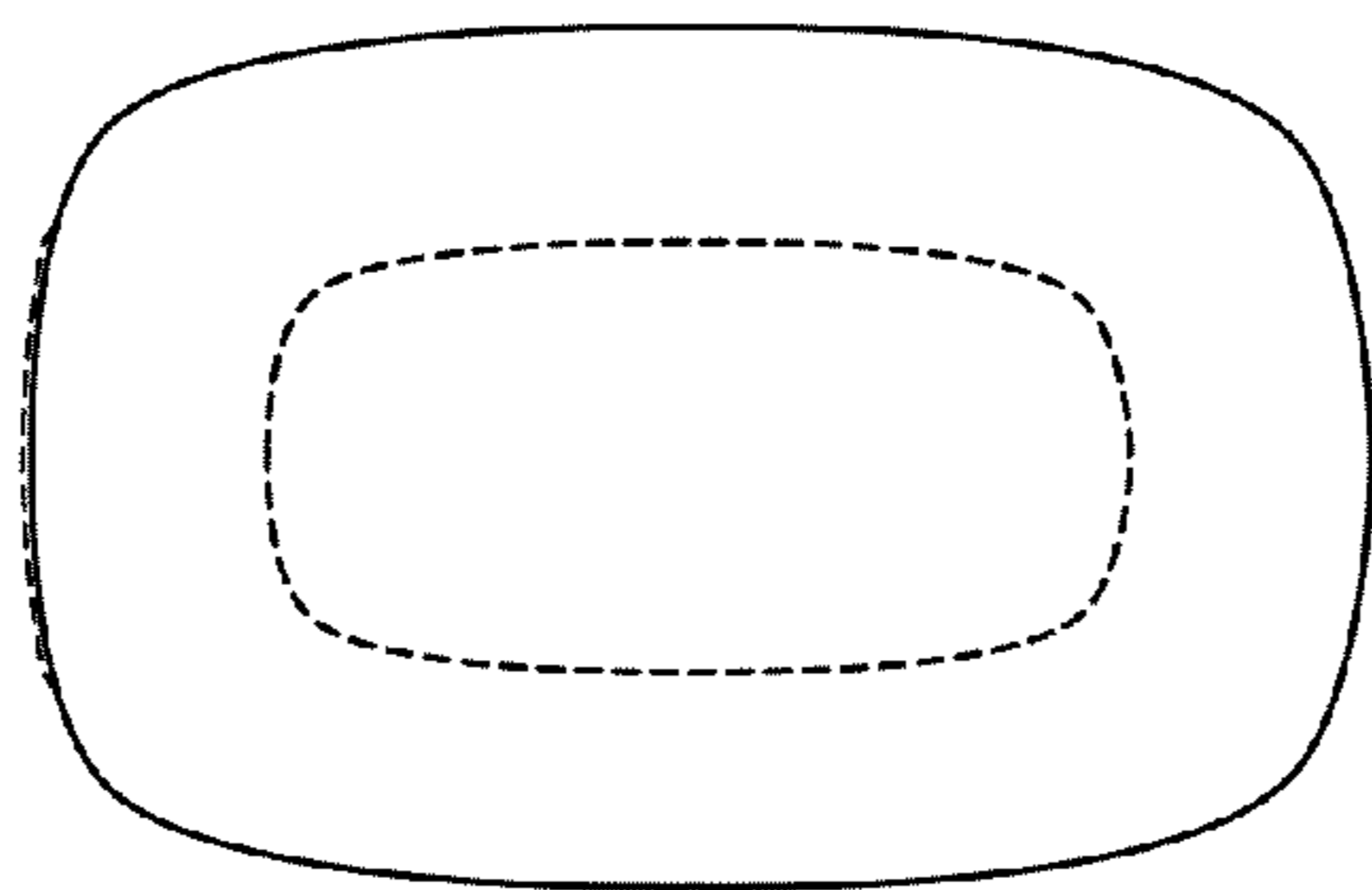


Fig. 6

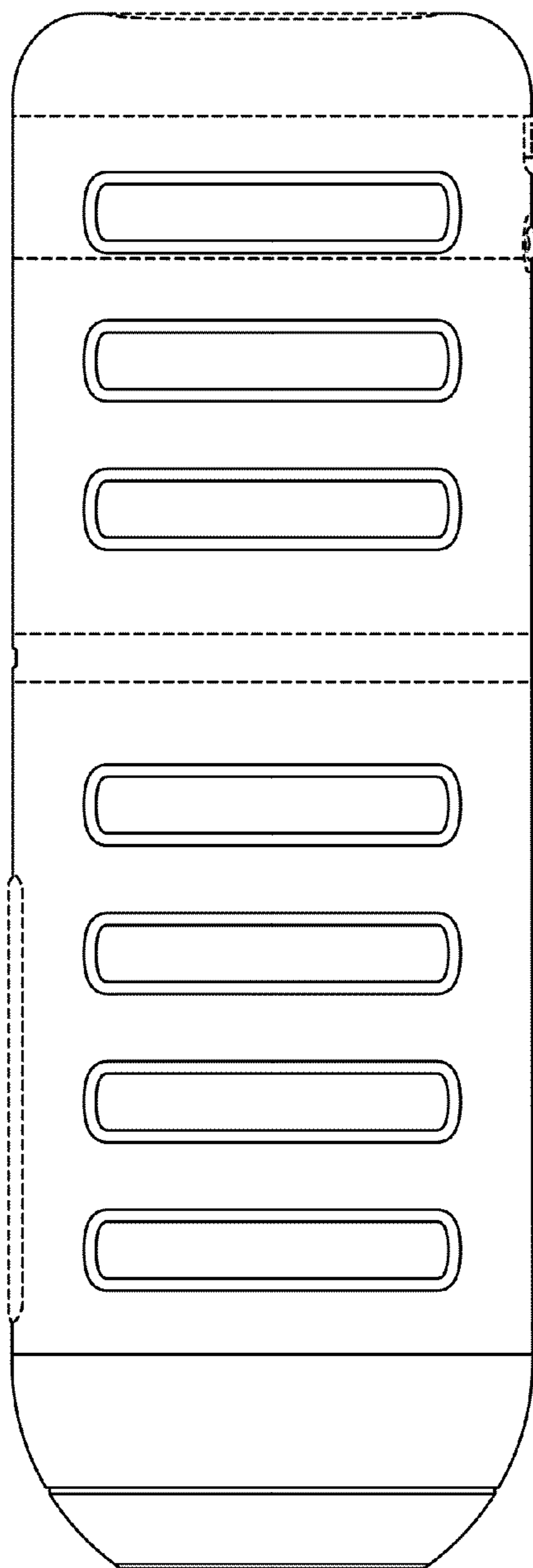


Fig. 5

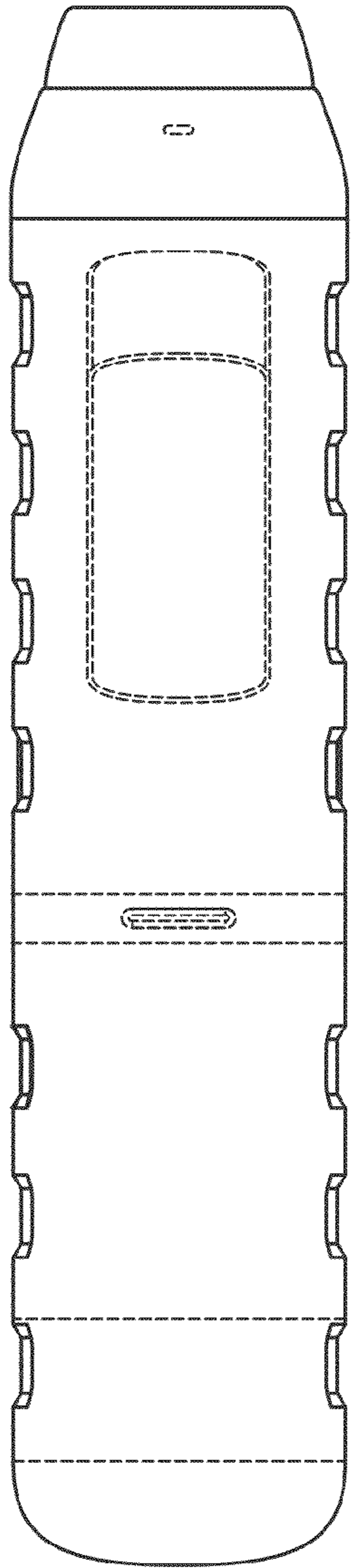


Fig. 7

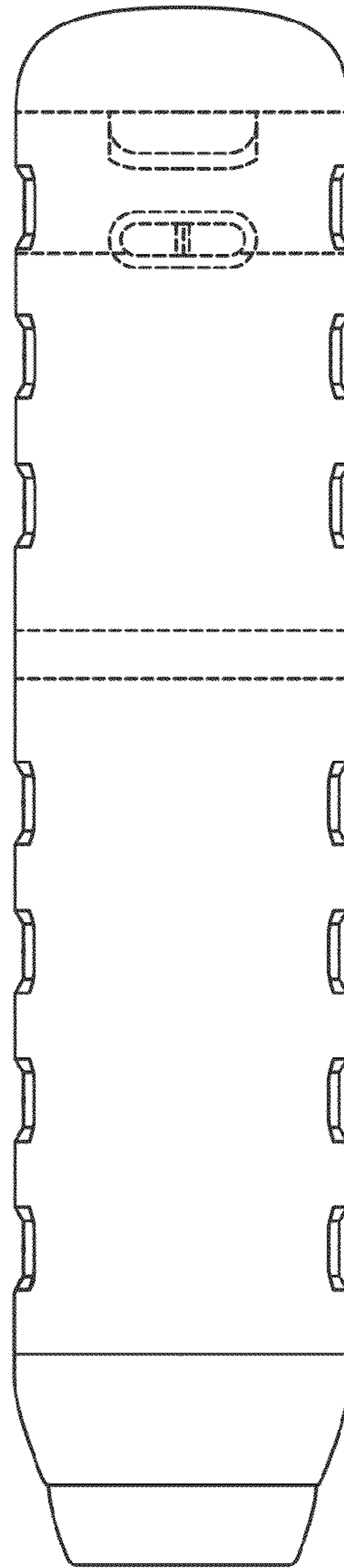


Fig. 8