



US00D754768S

(12) **United States Design Patent**  
**Patulski et al.**

(10) **Patent No.:** **US D754,768 S**

(45) **Date of Patent:** **\*\* Apr. 26, 2016**

(54) **BODY CAMERA**

(71) Applicant: **TASER International, Inc.**, Scottsdale, AZ (US)

(72) Inventors: **Nathan A. Patulski**, Scottsdale, AZ (US); **William J. Soper**, Bristol (GB); **John W. Wilson**, Phoenix, AZ (US)

(73) Assignee: **TASER International, Inc.**, Scottsdale, AZ (US)

(\*\*) Term: **15 Years**

(21) Appl. No.: **29/531,018**

(22) Filed: **Jun. 23, 2015**

(51) **LOC (10) Cl.** ..... **16-01**

(52) **U.S. Cl.**

USPC ..... **D16/202**

(58) **Field of Classification Search**

USPC ..... D16/200, 202–206, 208, 218, 219;  
348/373–376; 396/535, 539–541

CPC ..... G03B 15/03; G03B 17/02; G03B 17/04;  
G03B 17/56; G03B 19/04; H04N 5/2251;  
H04N 5/2252; H04N 5/2253; H04N 5/2254;  
H04N 2101/00

See application file for complete search history.

(56) **References Cited**

**U.S. PATENT DOCUMENTS**

D460,472 S *	7/2002	Wang	.....	D16/202
D474,221 S *	5/2003	Cheng	.....	D16/218
D480,741 S *	10/2003	Berger	.....	D16/202
6,718,129 B1 *	4/2004	Cornell	.....	G03B 17/02 396/176
D496,674 S *	9/2004	Hayashi	.....	D16/202
D504,904 S *	5/2005	Nagai	.....	D16/203

D564,562 S *	3/2008	Honma	.....	D16/200
D594,047 S *	6/2009	Lee	.....	D16/202
D692,939 S *	11/2013	Huang	.....	D16/218
D725,691 S *	3/2015	De Rosa	.....	D16/202
D743,472 S *	11/2015	Tanifuji	.....	D16/203
D744,572 S *	12/2015	Tabuchi	.....	D16/218
2014/0160349 A1 *	6/2014	Huang	.....	H04N 5/2252 348/375

\* cited by examiner

*Primary Examiner* — Adir Aronovich

*Assistant Examiner* — Ramzi Almatrahi

(74) *Attorney, Agent, or Firm* — Lawrence Letham

(57) **CLAIM**

The ornamental design for a body camera, as shown and described.

**DESCRIPTION**

FIG. 1 is a top, front and left side isometric view of a body camera according to our new design;

FIG. 2 is a bottom, rear and right side isometric view of the body camera shown in FIG. 1;

FIG. 3 is a front elevation view of the body camera shown in FIG. 1;

FIG. 4 is a rear elevation view of the body camera shown in FIG. 1;

FIG. 5 is a top plan view of the body camera shown in FIG. 1;

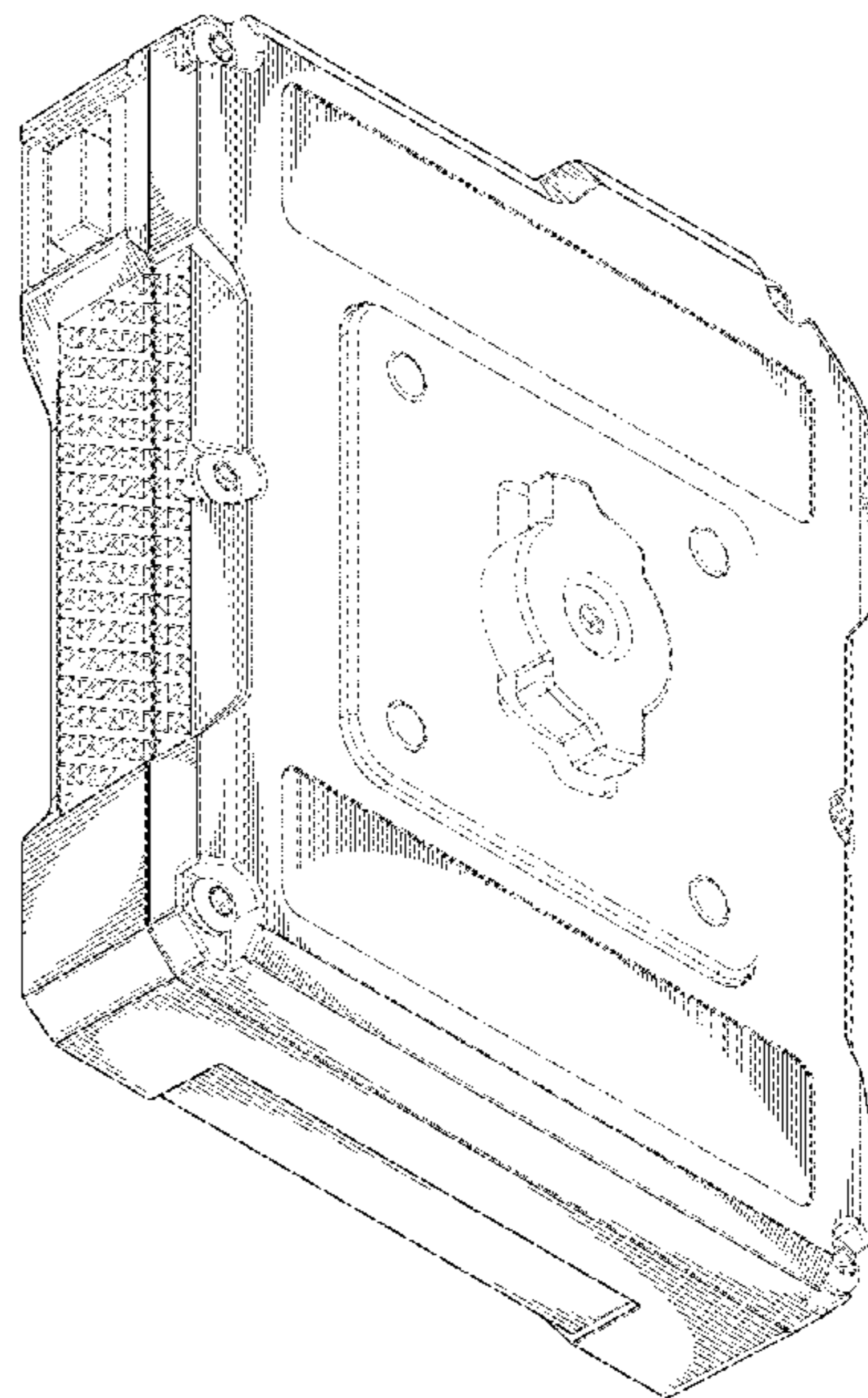
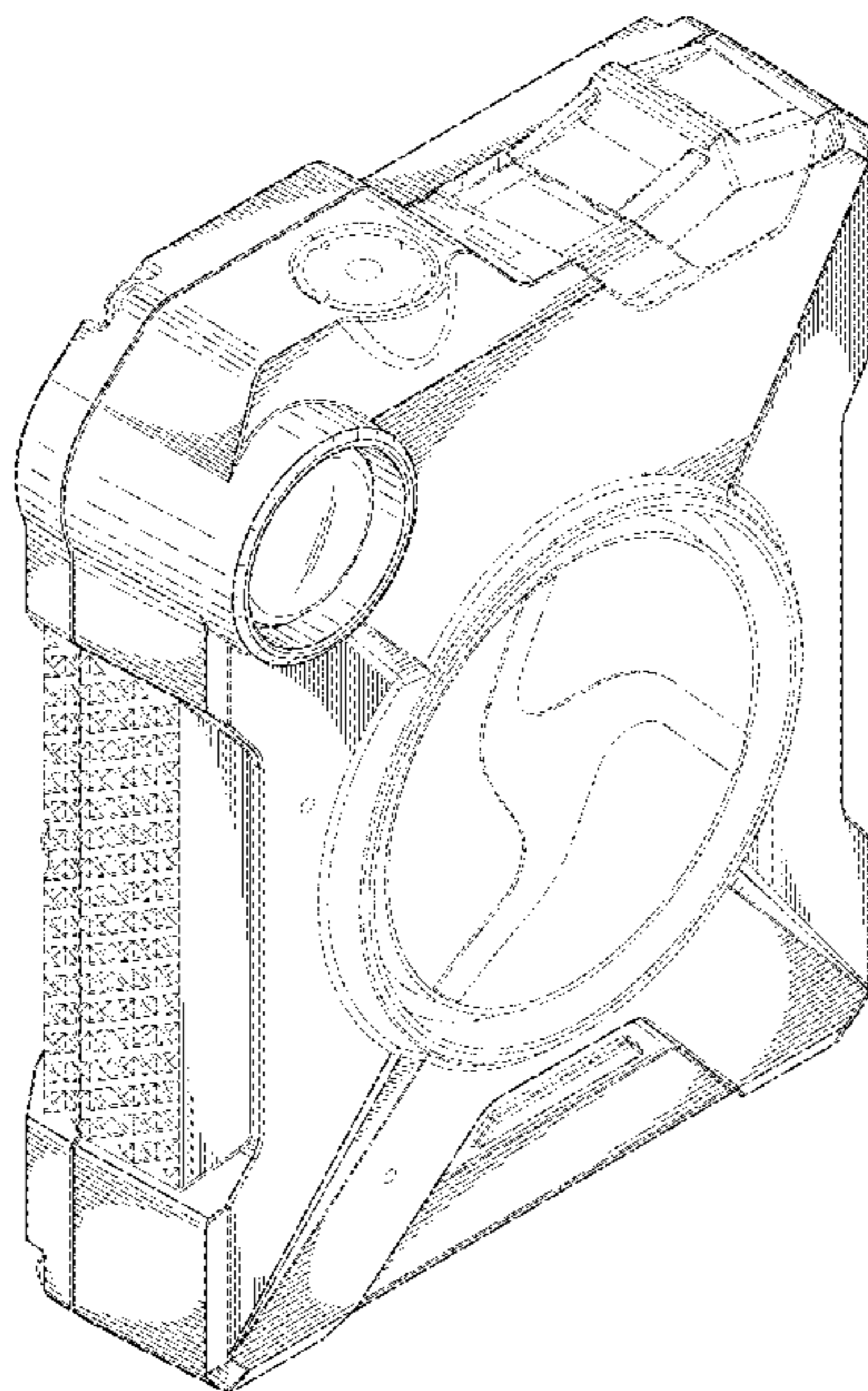
FIG. 6 is a bottom plan view of the body camera shown in FIG. 1;

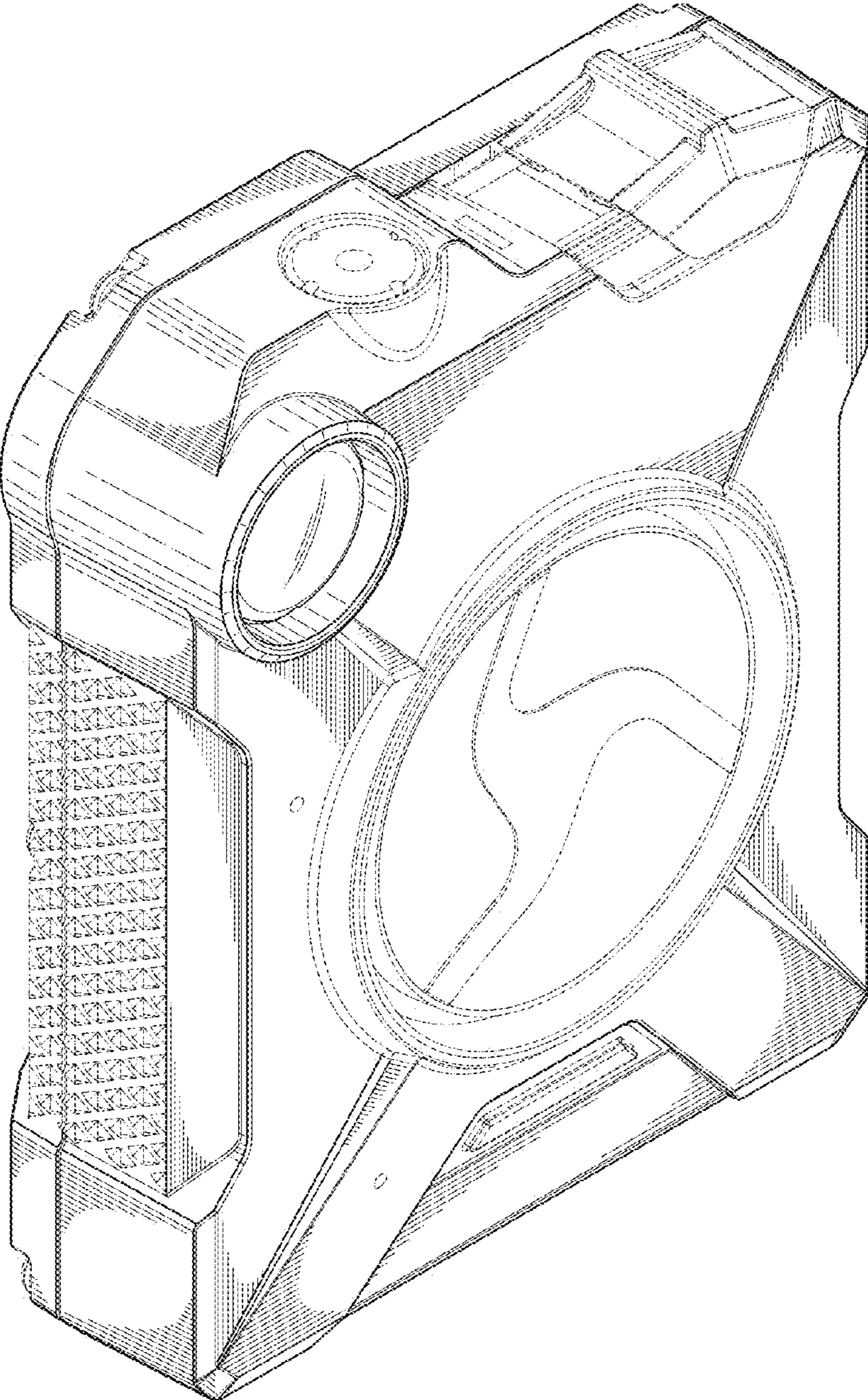
FIG. 7 is a left side elevation view of the body camera shown in FIG. 1; and,

FIG. 8 is a right side elevation view of the body camera shown in FIG. 1.

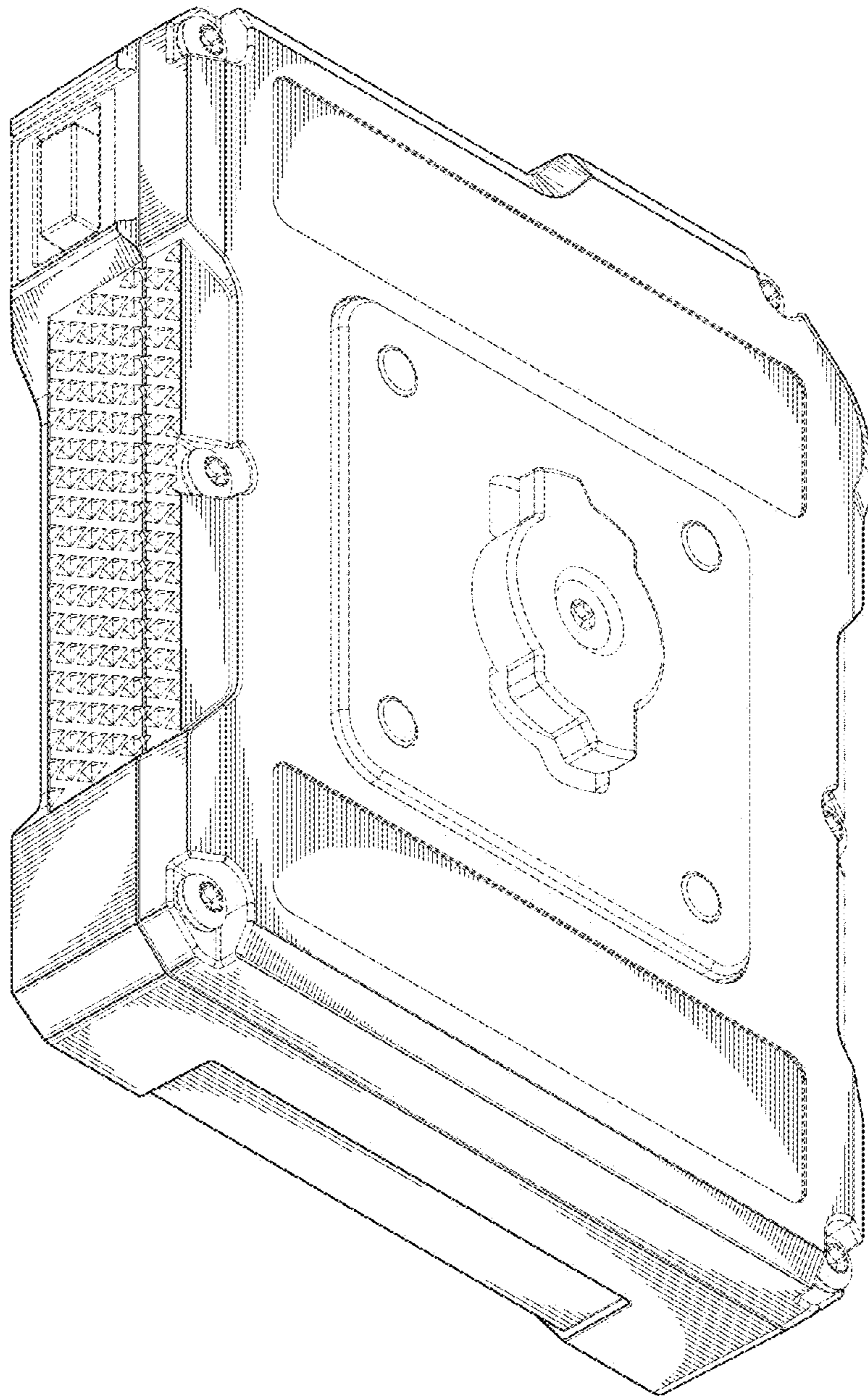
The broken lines show portions of the body camera that form no part of the claimed design.

**1 Claim, 6 Drawing Sheets**

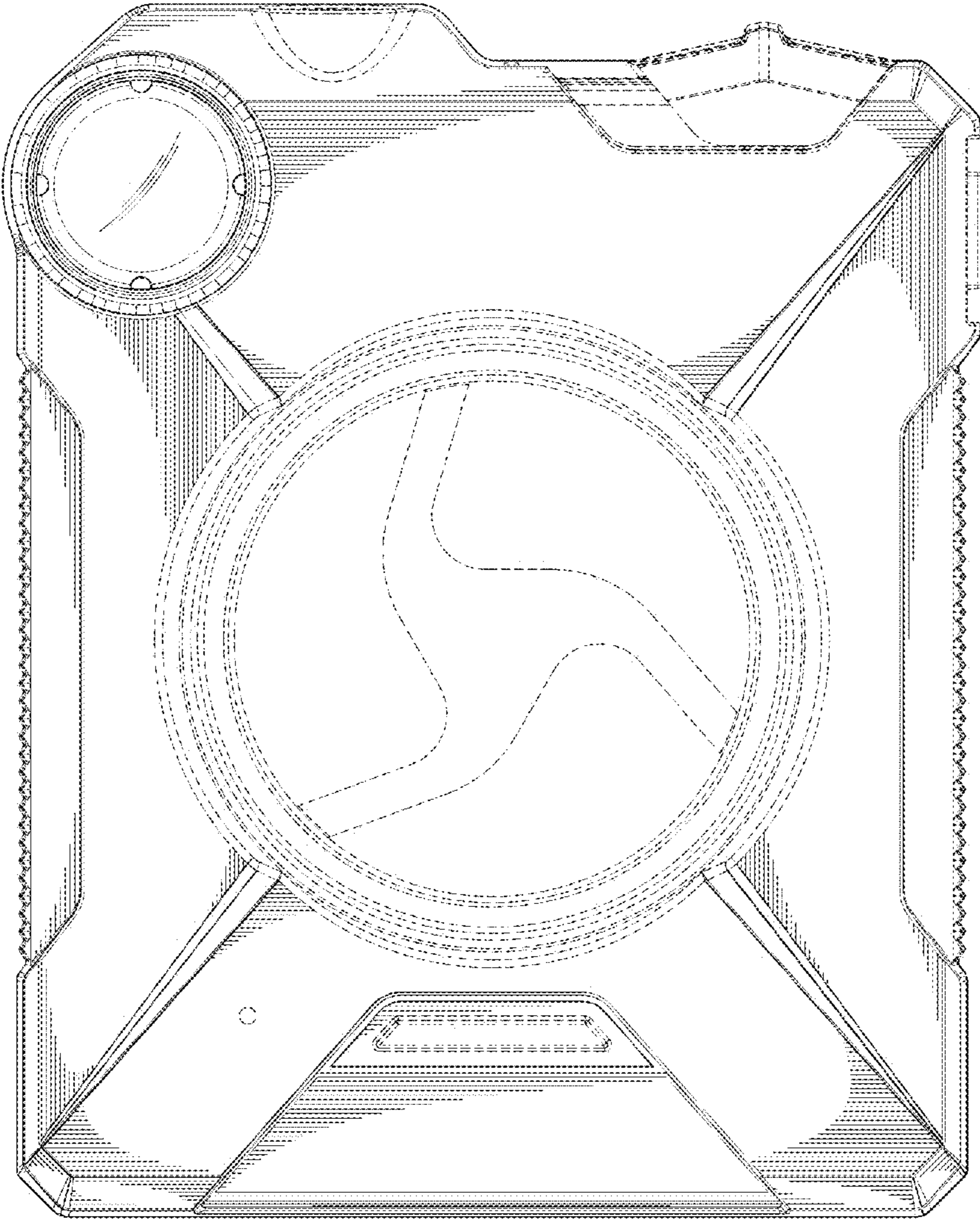




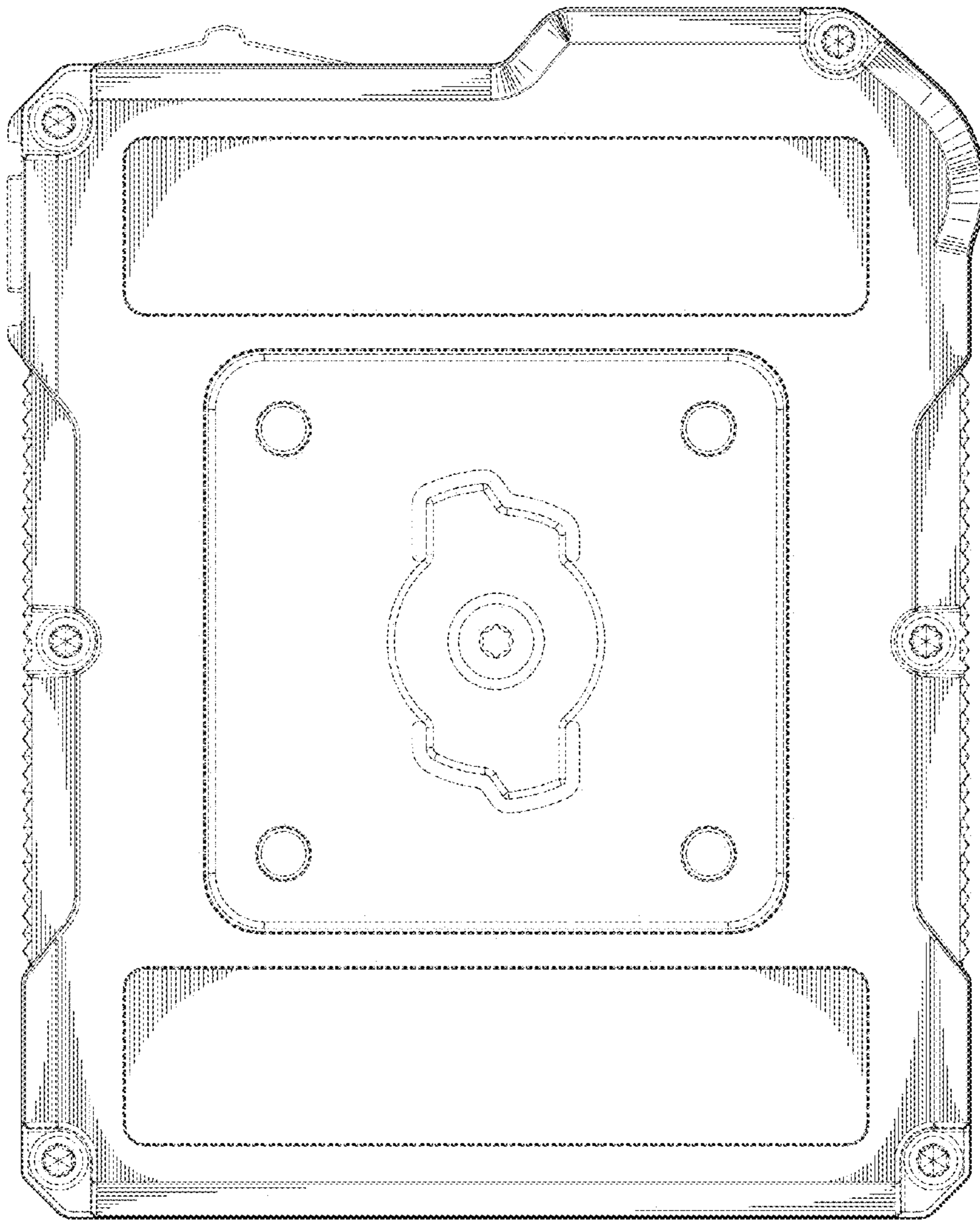
*Fig. 1.*



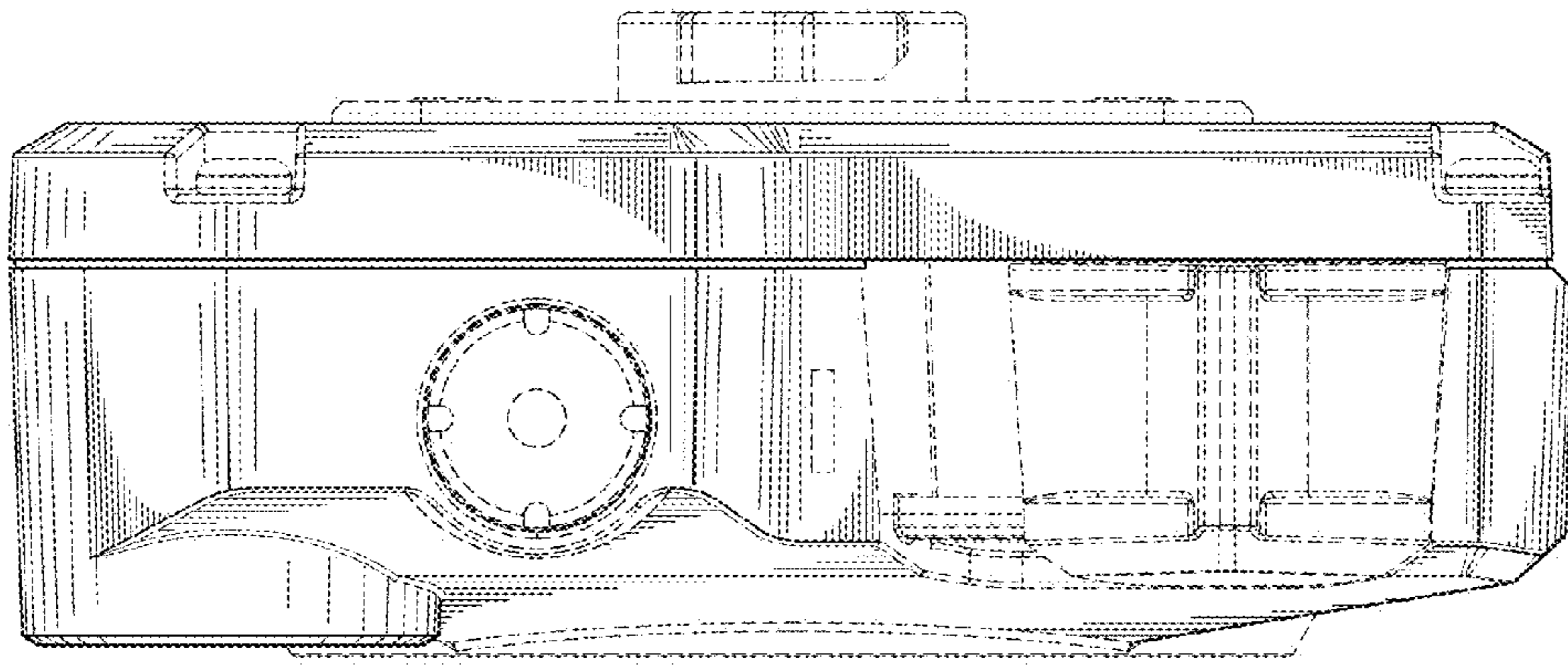
*Fig. 2.*



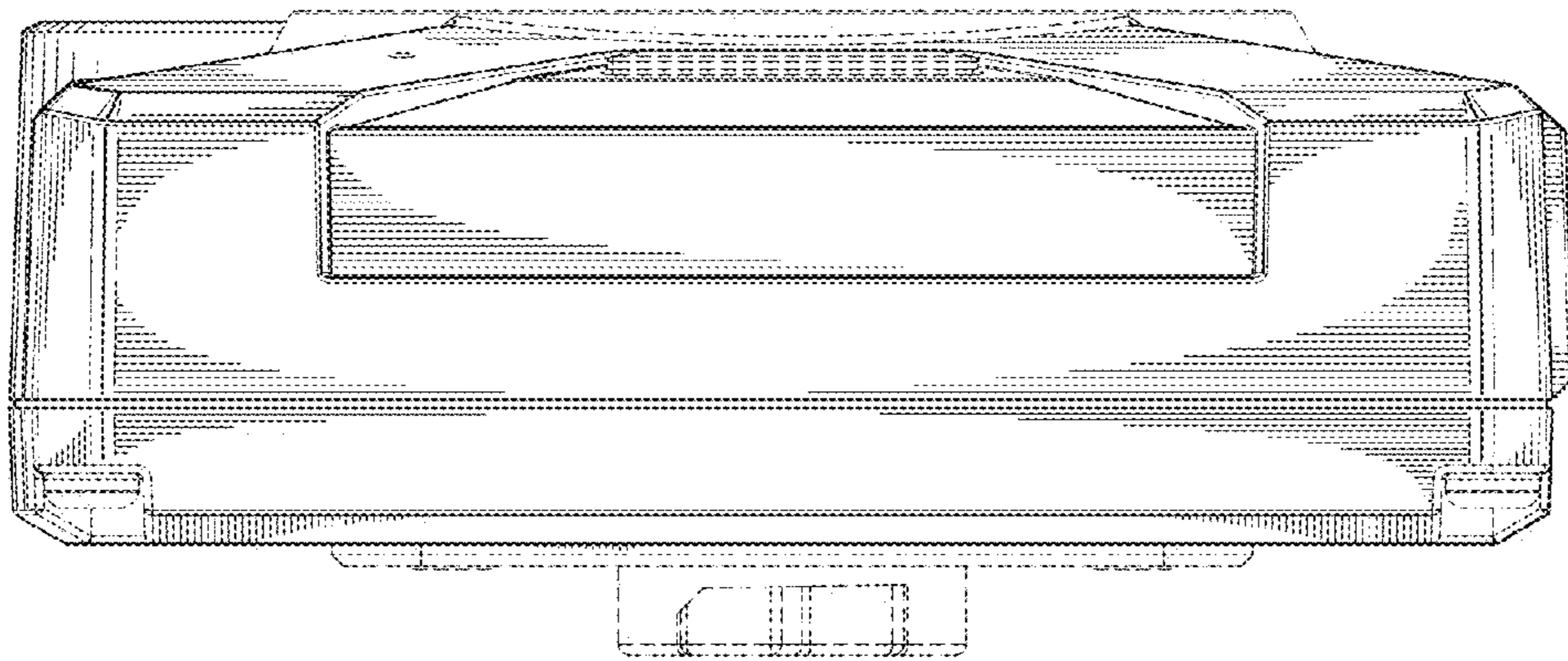
*Fig. 3.*



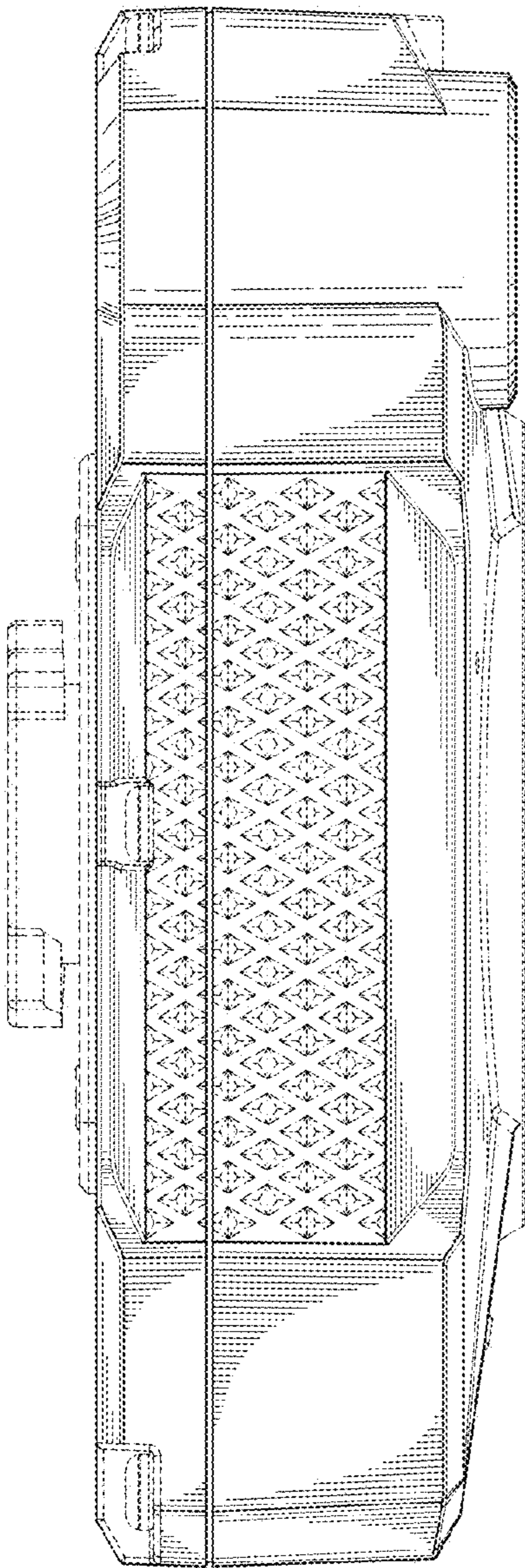
*Fig. 4.*



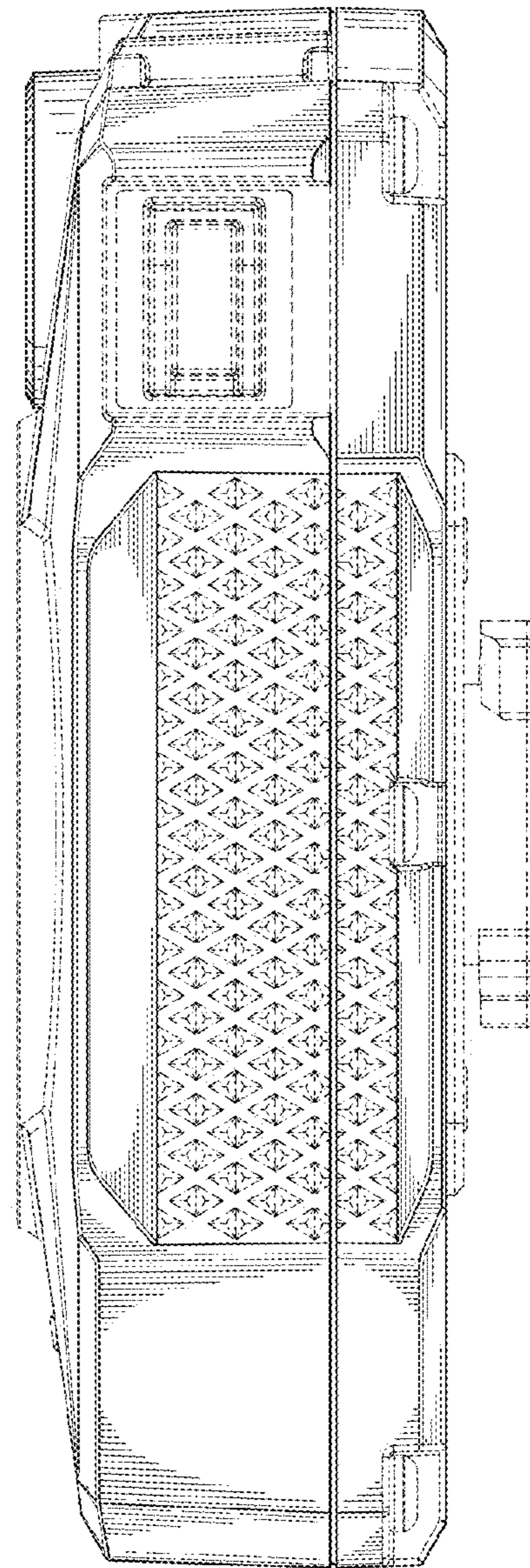
*Fig. 5.*



*Fig. 6.*



*Fig. 7.*



*Fig. 8.*