



US00D754763S

(12) **United States Design Patent**  
**Kraibühler et al.**

(10) **Patent No.:** **US D754,763 S**  
(45) **Date of Patent:** **\*\* Apr. 26, 2016**

(54) **DEVICE FOR PRODUCING  
THREE-DIMENSIONAL ARTICLES**

(71) Applicant: **Arburg GmbH + Co. KG**, Lossburg  
(DE)

(72) Inventors: **Herbert Kraibühler**, Lossburg (DE);  
**Eberhard Duffner**, Starzach (DE)

(73) Assignee: **Arburg GmbH + Co. KG** (DE)

(\*\*) Term: **15 Years**

(21) Appl. No.: **29/531,350**

(22) Filed: **Jun. 25, 2015**

**Related U.S. Application Data**

(63) Continuation-in-part of application No. 29/449,471,  
filed on Mar. 15, 2013, now Pat. No. Des. 742,439.

(51) **LOC (10) Cl.** ..... **15-09**

(52) **U.S. Cl.**  
USPC ..... **D15/122**

(58) **Field of Classification Search**  
USPC ..... D14/420–425, 462–470; D15/122;  
D18/14, 19, 36–38, 50, 53, 54, 54.1,  
D18/55, 59; 347/47, 82; 400/613,  
400/613.1–613.4, 690.1–690.4, 691–694  
See application file for complete search history.

(56) **References Cited**

**U.S. PATENT DOCUMENTS**

D207,059 S *	2/1967	Regal	.....	D14/469
D298,943 S *	12/1988	Haager	.....	D14/311
D325,927 S *	5/1992	Fushiya	.....	D18/54
D362,673 S *	9/1995	Yamamoto	.....	D18/19
D363,734 S *	10/1995	Bianco	.....	D18/50
5,885,511 A *	3/1999	Heller	.....	B29C 41/36 264/308
5,939,008 A *	8/1999	Comb	.....	B29C 67/0062 264/308
D420,371 S *	2/2000	Strong	.....	D15/135
D432,160 S *	10/2000	Kabumoto	.....	D18/37

6,126,343 A	10/2000	Sugiyama et al.	
D450,757 S *	11/2001	Okamura	..... D18/55
6,792,398 B1 *	9/2004	Handley	..... G06F 3/016 345/419
D501,502 S	2/2005	Scully et al.	
D506,465 S *	6/2005	Geeng	..... D14/308
D565,648 S *	4/2008	Egami	..... D18/50
D598,906 S *	8/2009	Chiba	..... D14/240
D602,019 S *	10/2009	Wang	..... D14/356
7,686,995 B2 *	3/2010	Davidson	..... B29C 41/12 264/113
7,819,055 B2 *	10/2010	Tezuka	..... B41J 3/4073 101/35
D677,723 S	3/2013	Buel et al.	
D688,741 S	8/2013	Joyce	
D711,463 S *	8/2014	Costabeber	..... D14/300
D722,108 S *	2/2015	Reches	..... D18/50
D729,309 S *	5/2015	Jun	..... D18/50
D732,586 S *	6/2015	Chen	..... D15/122
D732,587 S *	6/2015	Hsu	..... D15/122
D732,588 S *	6/2015	Lin	..... D15/122
D733,196 S *	6/2015	Wolf	..... D15/122
D736,838 S *	8/2015	Costabeber	..... D15/122
2014/0043630 A1 *	2/2014	Buser	..... H04N 13/02 358/1.13

\* cited by examiner

*Primary Examiner* — Patricia Palasik

(74) *Attorney, Agent, or Firm* — Cantor Colburn LLP

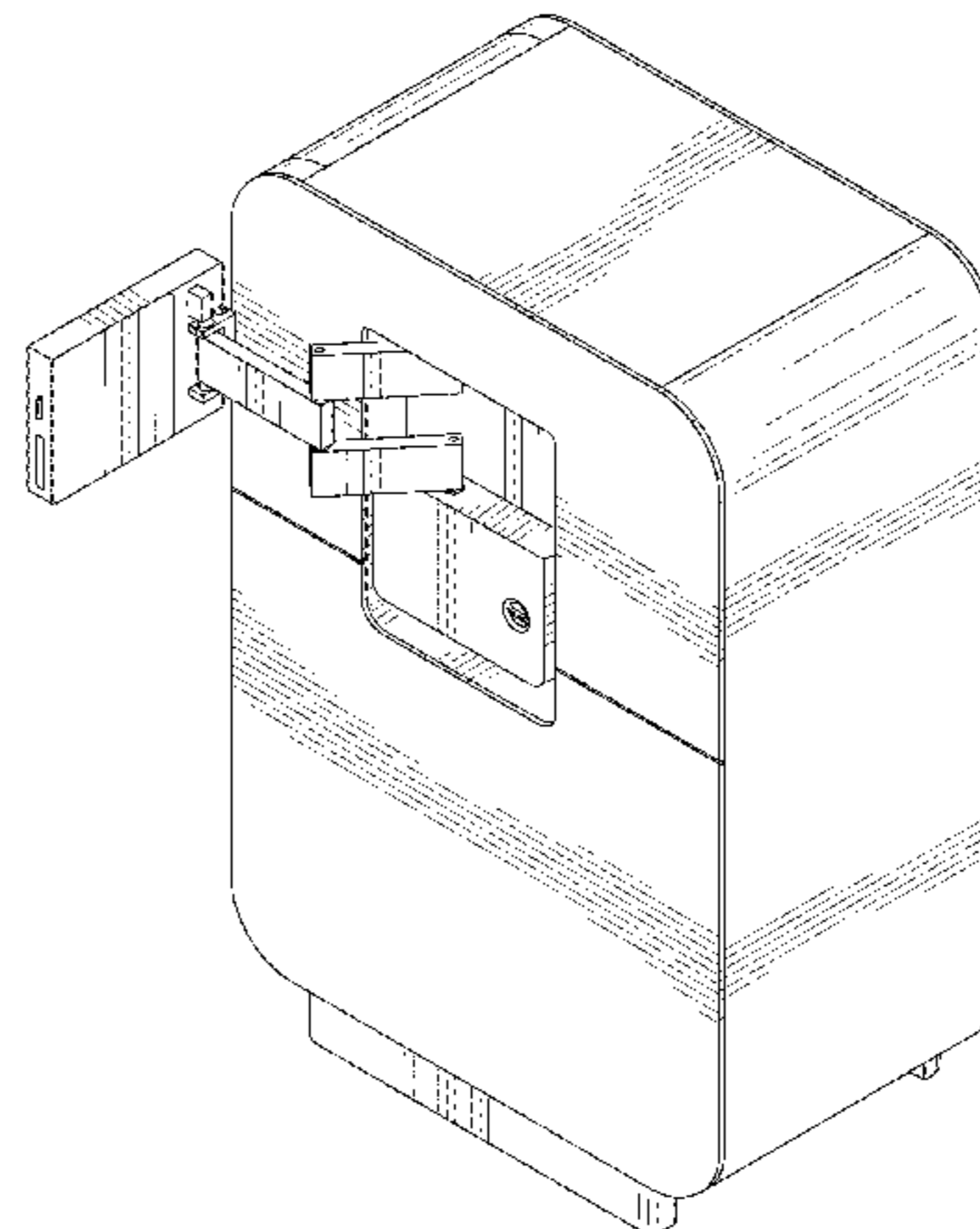
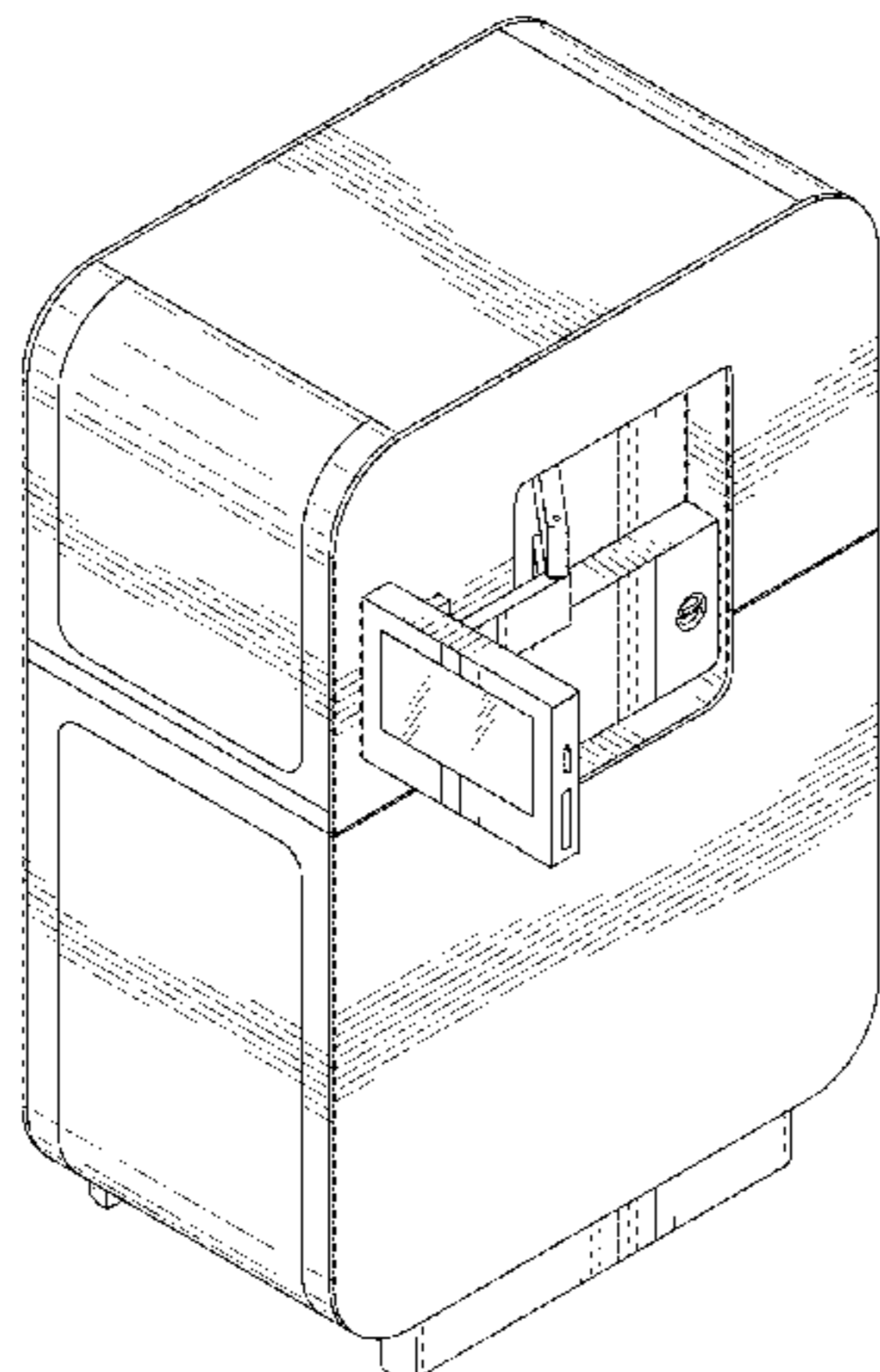
(57) **CLAIM**

We claim, the ornamental design for a device for producing three-dimensional objects, as shown and described.

**DESCRIPTION**

FIG. 1 is a front perspective view of a device for producing three-dimensional objects, showing our new design; FIG. 2 is another front perspective view thereof; FIG. 3 is a rear perspective view thereof; FIG. 4 is another rear perspective view thereof; FIG. 5 is a front perspective view thereof with a monitor in a protracted position; and, FIG. 6 is a front elevation view thereof with the monitor in the protracted position.

**1 Claim, 6 Drawing Sheets**



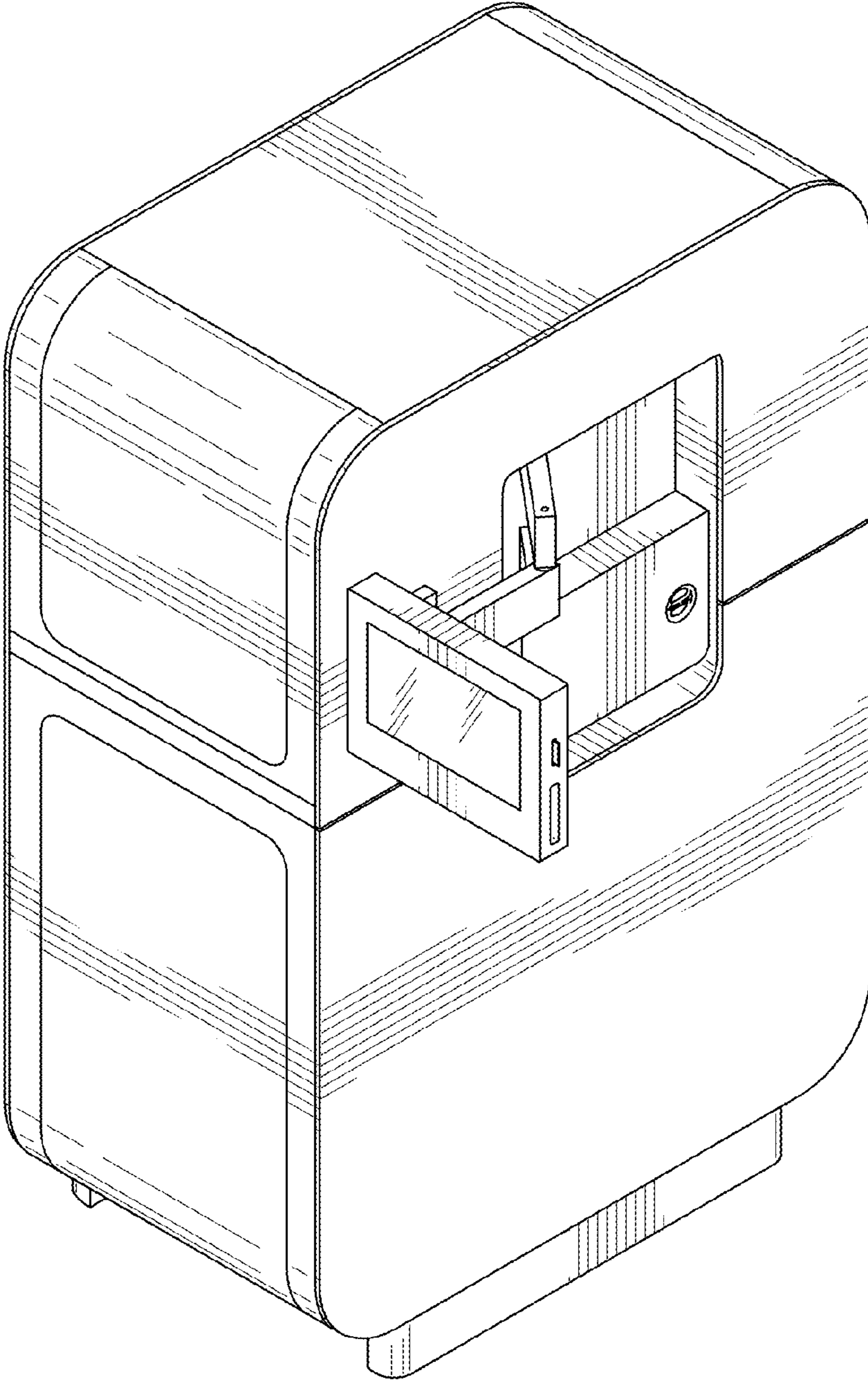


FIG. 1

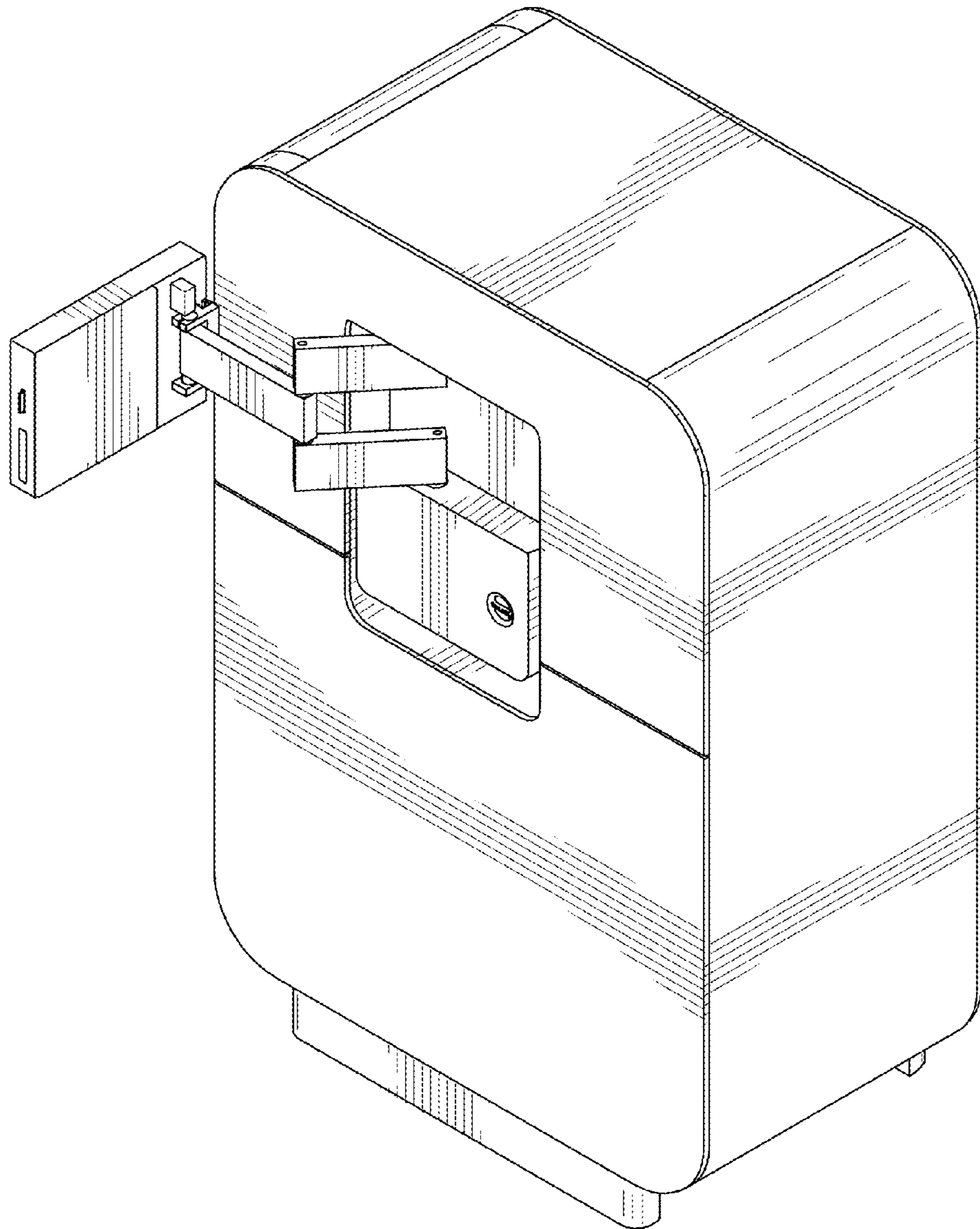
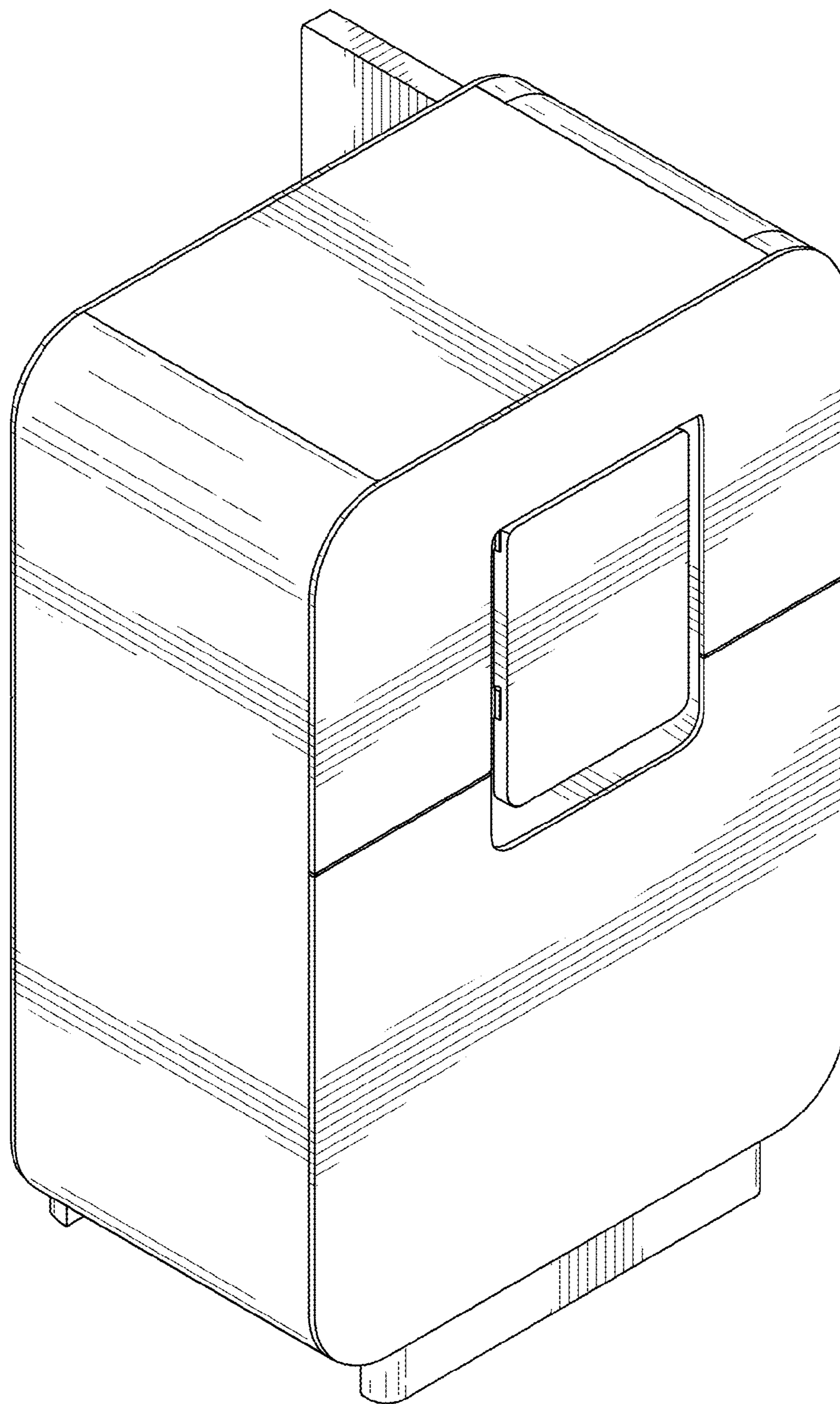


FIG. 2



**FIG. 3**

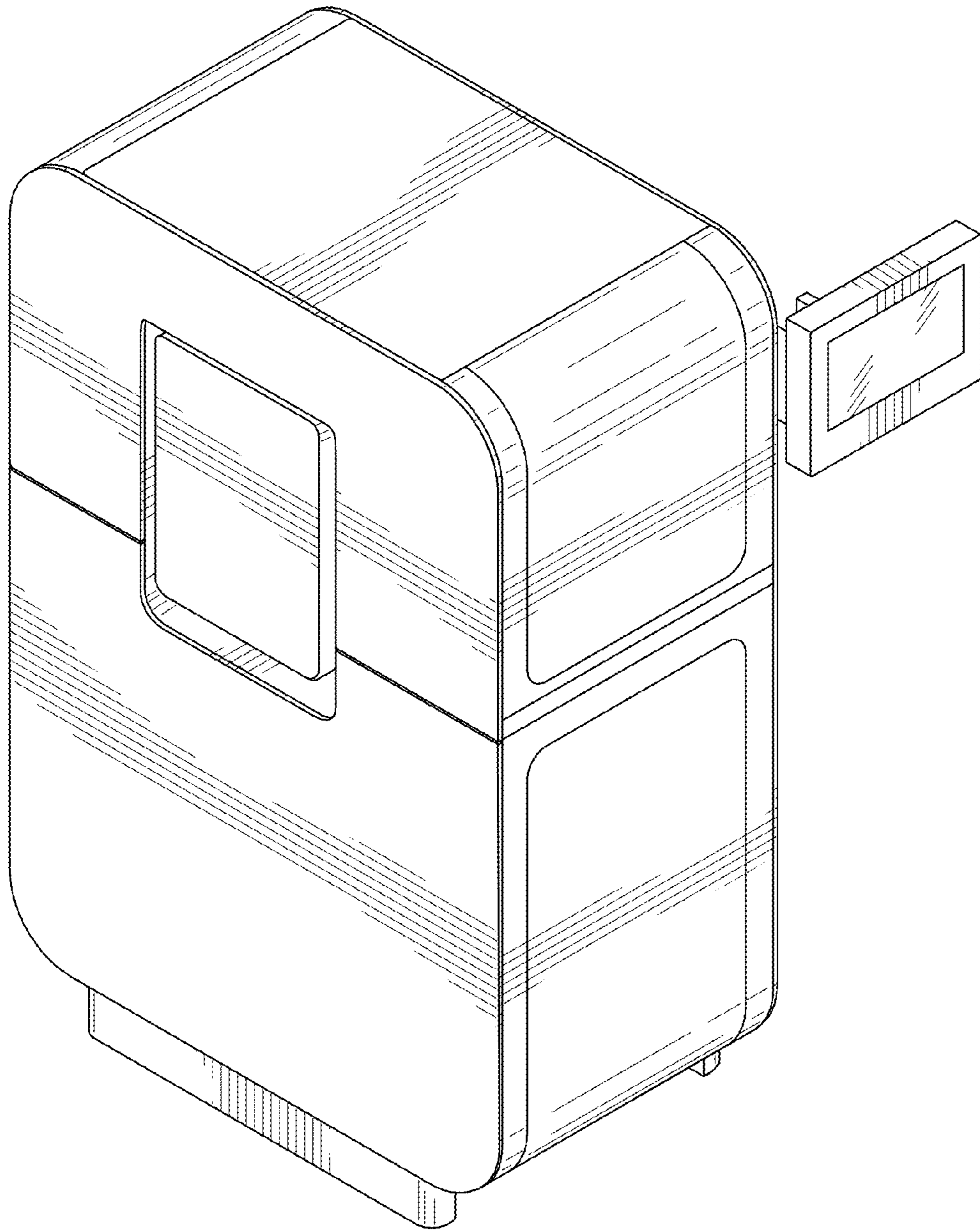
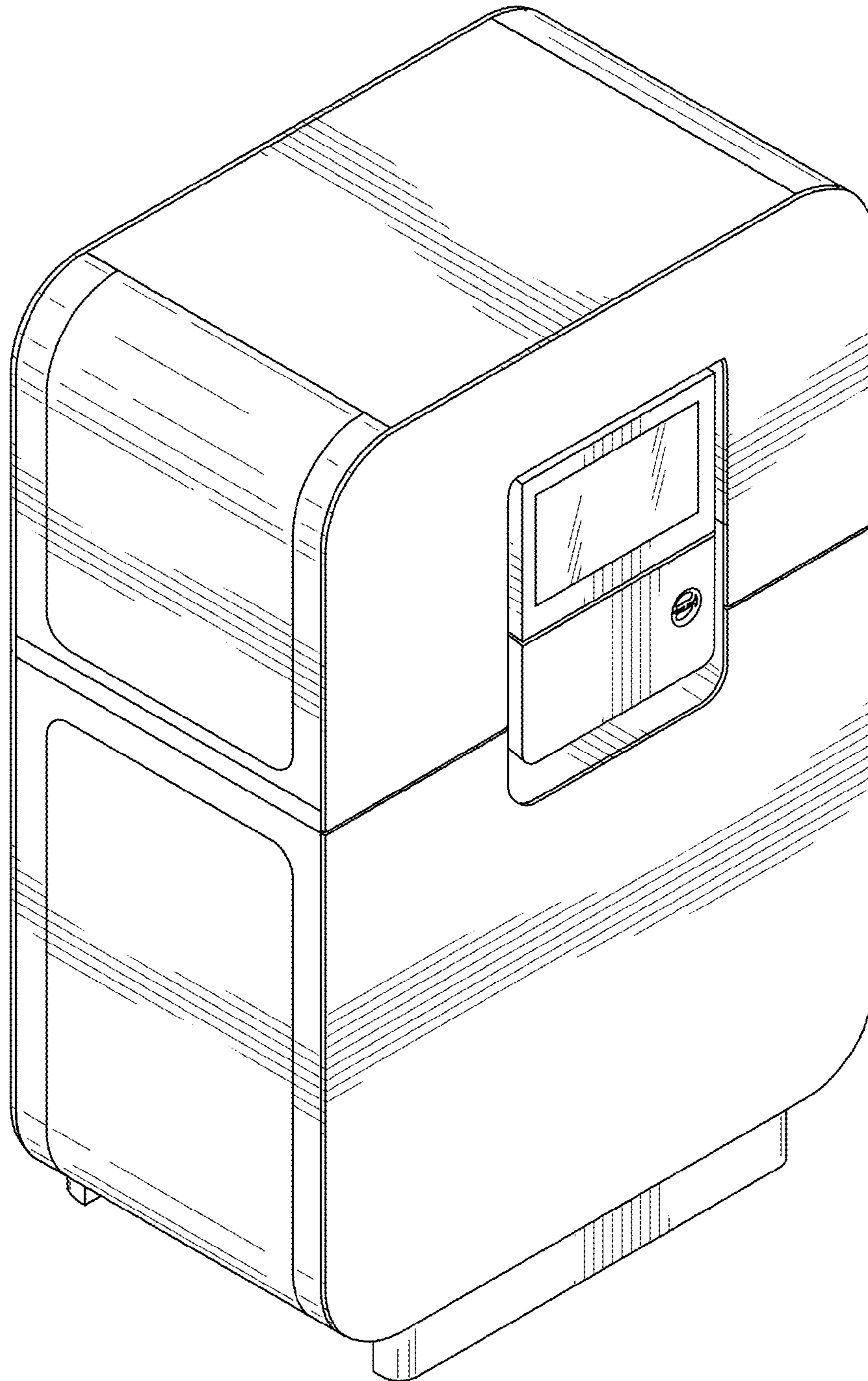


FIG. 4



**FIG. 5**

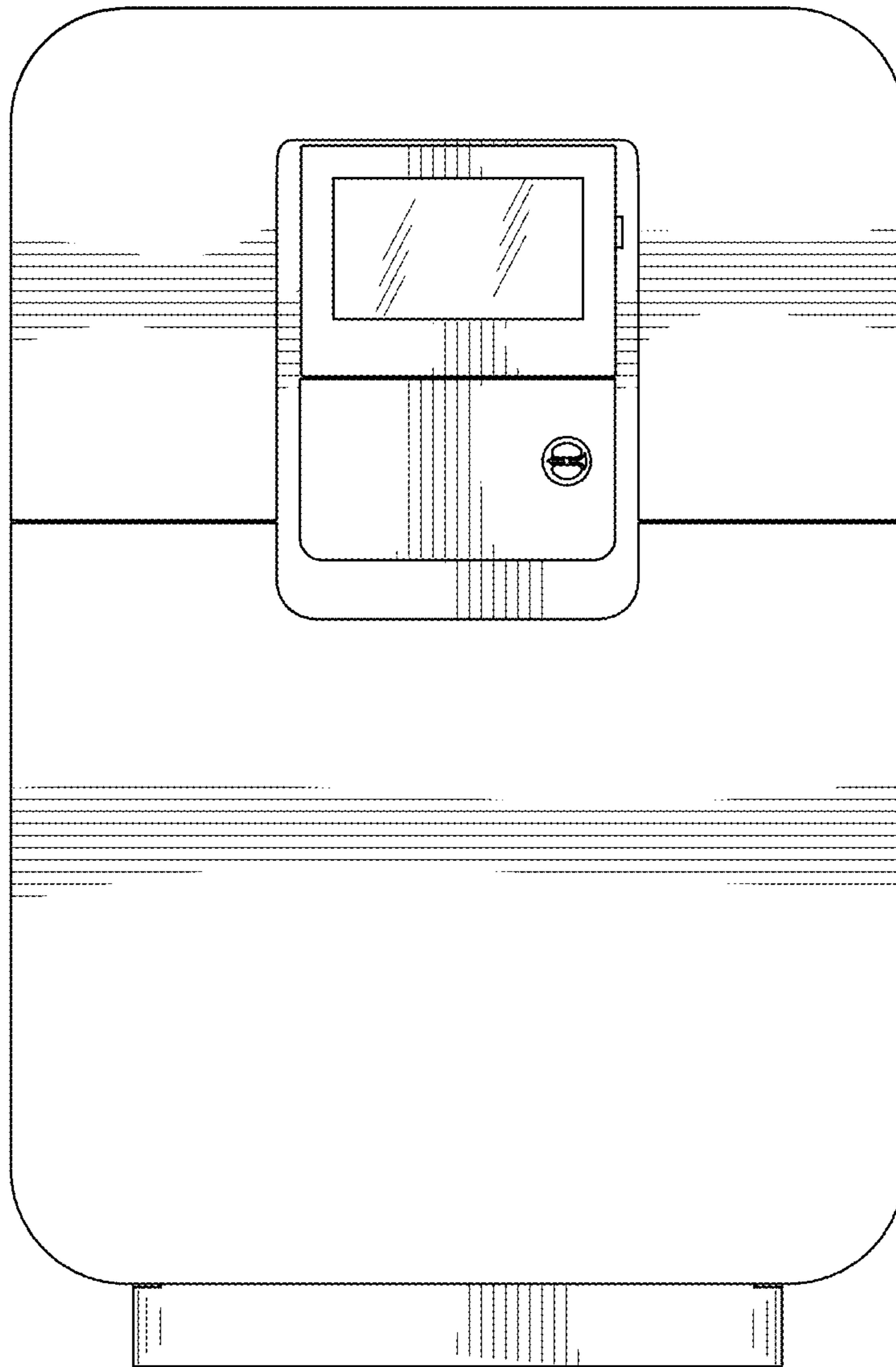


FIG. 6