

US00D754759S

(12) **United States Design Patent**  
**McConnell et al.**

(10) **Patent No.:** **US D754,759 S**  
(45) **Date of Patent:** **\*\* Apr. 26, 2016**

(54) **CRISPER DRAWER**

(71) Applicant: **Whirlpool Corporation**, Benton Harbor, MI (US)

(72) Inventors: **Jessica R McConnell**, St. Joseph, MI (US); **Daniel Henry Quinlan**, Stevensville, MI (US); **Kelly E. Roche**, St. Joseph, MI (US); **Michael S. Seeley**, South Haven, MI (US)

(73) Assignee: **Whirlpool Corporation**, Benton Harbor, MI (US)

(\*\*) Term: **14 Years**

(21) Appl. No.: **29/485,382**

(22) Filed: **Mar. 18, 2014**

(51) **LOC (10) Cl.** ..... **15-07**

(52) **U.S. Cl.**  
USPC ..... **D15/89**

(58) **Field of Classification Search**  
USPC ..... D15/79-91  
CPC ..... F25D 23/028; F25D 23/02; F25D 25/025; F25D 23/00; F25D 2323/021; F25D 11/00; F25D 2323/024; F25D 23/04; F25D 29/00; F25D 25/02; F25D 25/024; F25D 27/005; F25D 23/12; F25D 29/005; F25D 17/042; F25D 2325/021

See application file for complete search history.

(56) **References Cited**

U.S. PATENT DOCUMENTS

D669,506 S \* 10/2012 Czach et al. .... D15/89  
D694,288 S \* 11/2013 Hottmann et al. .... D15/89  
D709,928 S \* 7/2014 Park et al. .... D15/89  
D710,406 S \* 8/2014 Seo et al. .... D15/89

\* cited by examiner

*Primary Examiner* — Daniel Bui

*Assistant Examiner* — Khawaja Anwar

(57) **CLAIM**

The ornamental design for a crisper drawer, as shown and described.

**DESCRIPTION**

FIG. 1 is a perspective view of a crisper drawer showing our new design;

FIG. 2 is a front elevation view thereof;

FIG. 3 is a right side elevation view thereof;

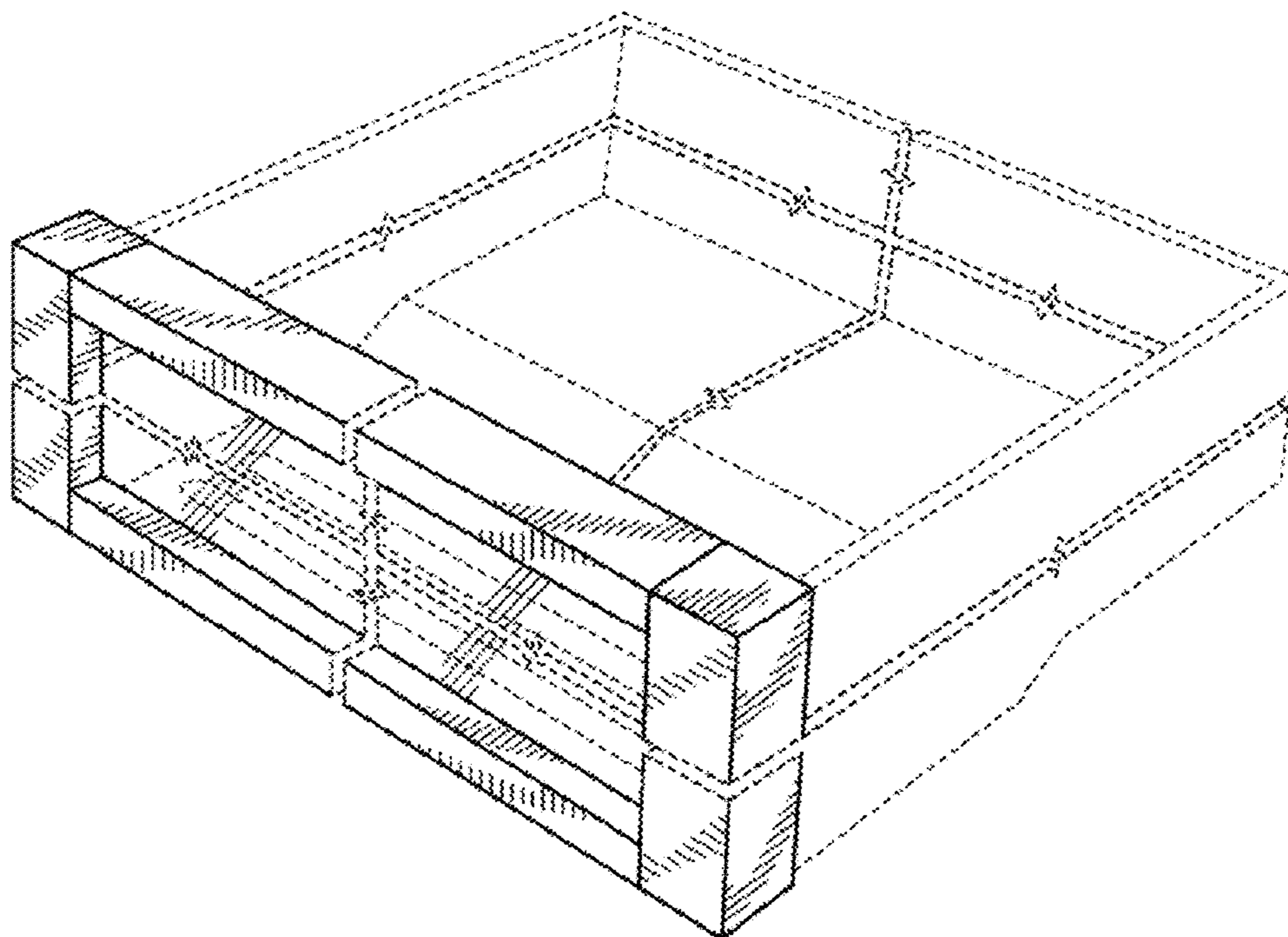
FIG. 4 is a left side elevation view thereof;

FIG. 5 is a top plan view thereof; and,

FIG. 6 is a bottom plan view thereof.

The broken line in the figure drawings represents unclaimed environment only and forms no part of the claimed design; The break lines that separate the parts of the crisper drawer and the portion within these break lines represent indeterminate length and form no part of the claimed design.

**1 Claim, 5 Drawing Sheets**



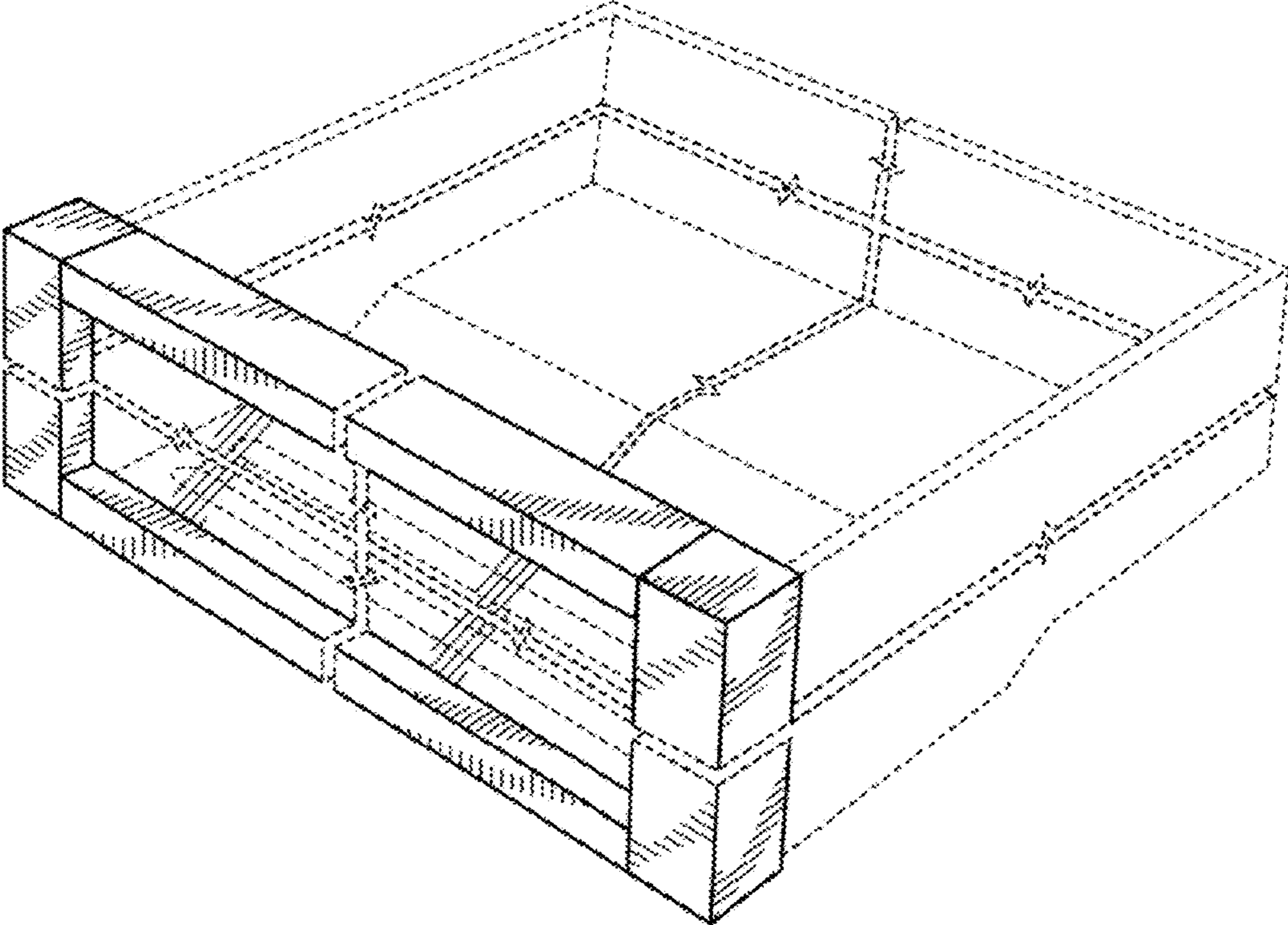


FIG. 1

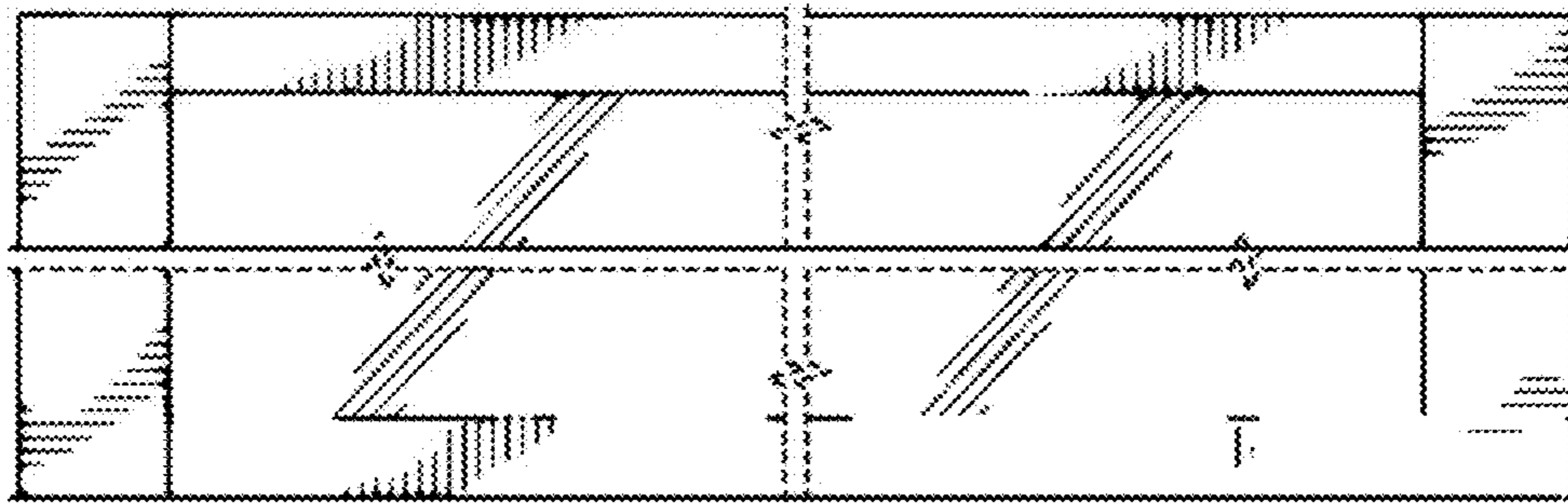


FIG. 2

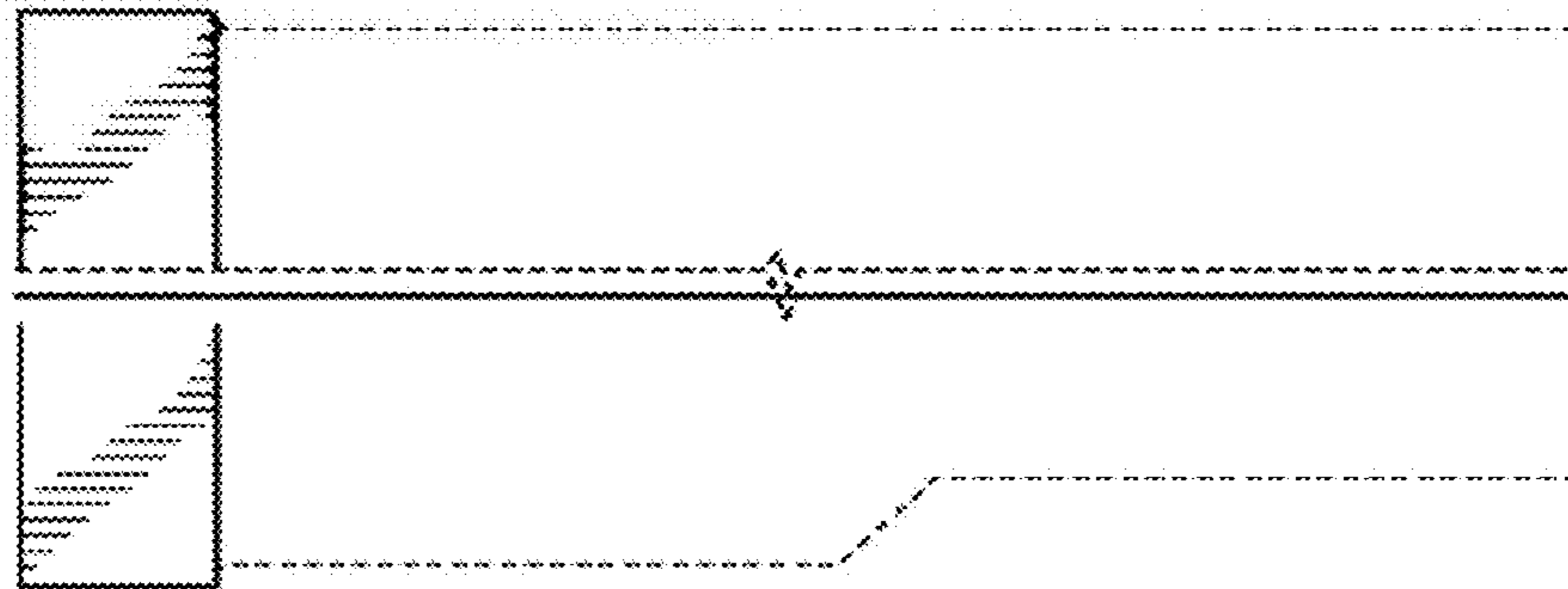


FIG. 3

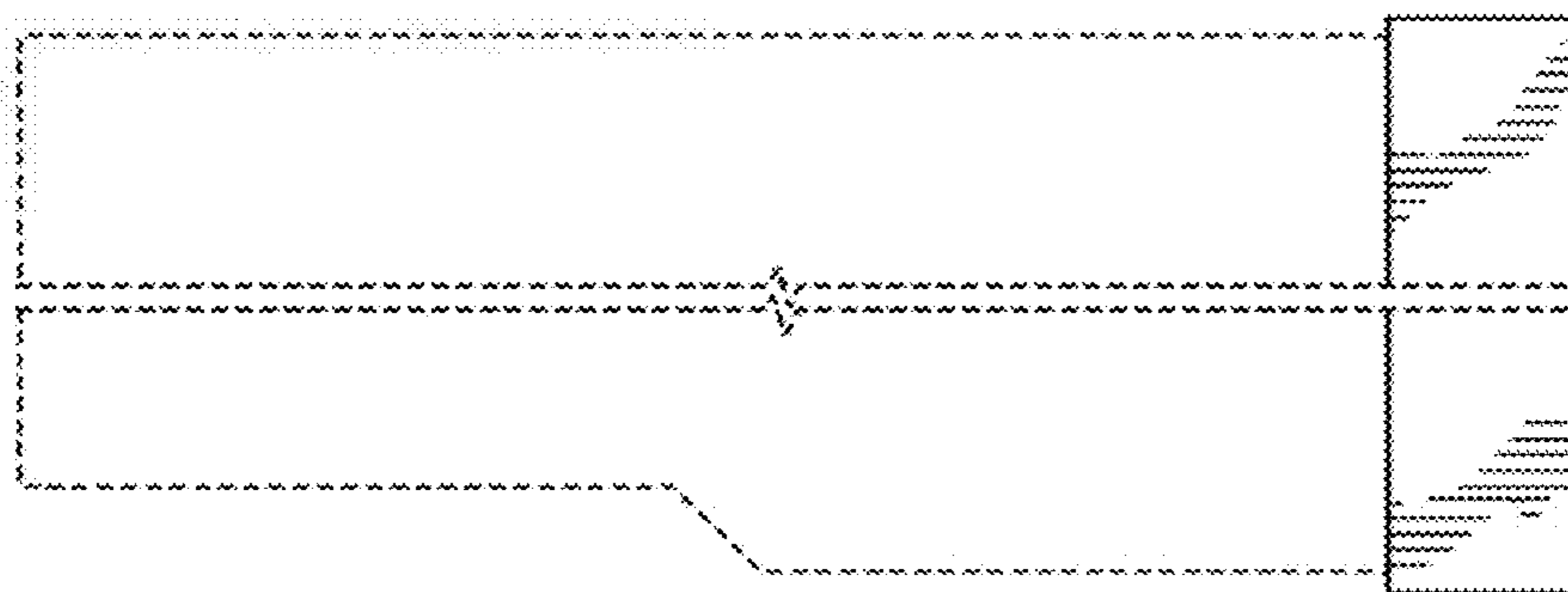


FIG. 4

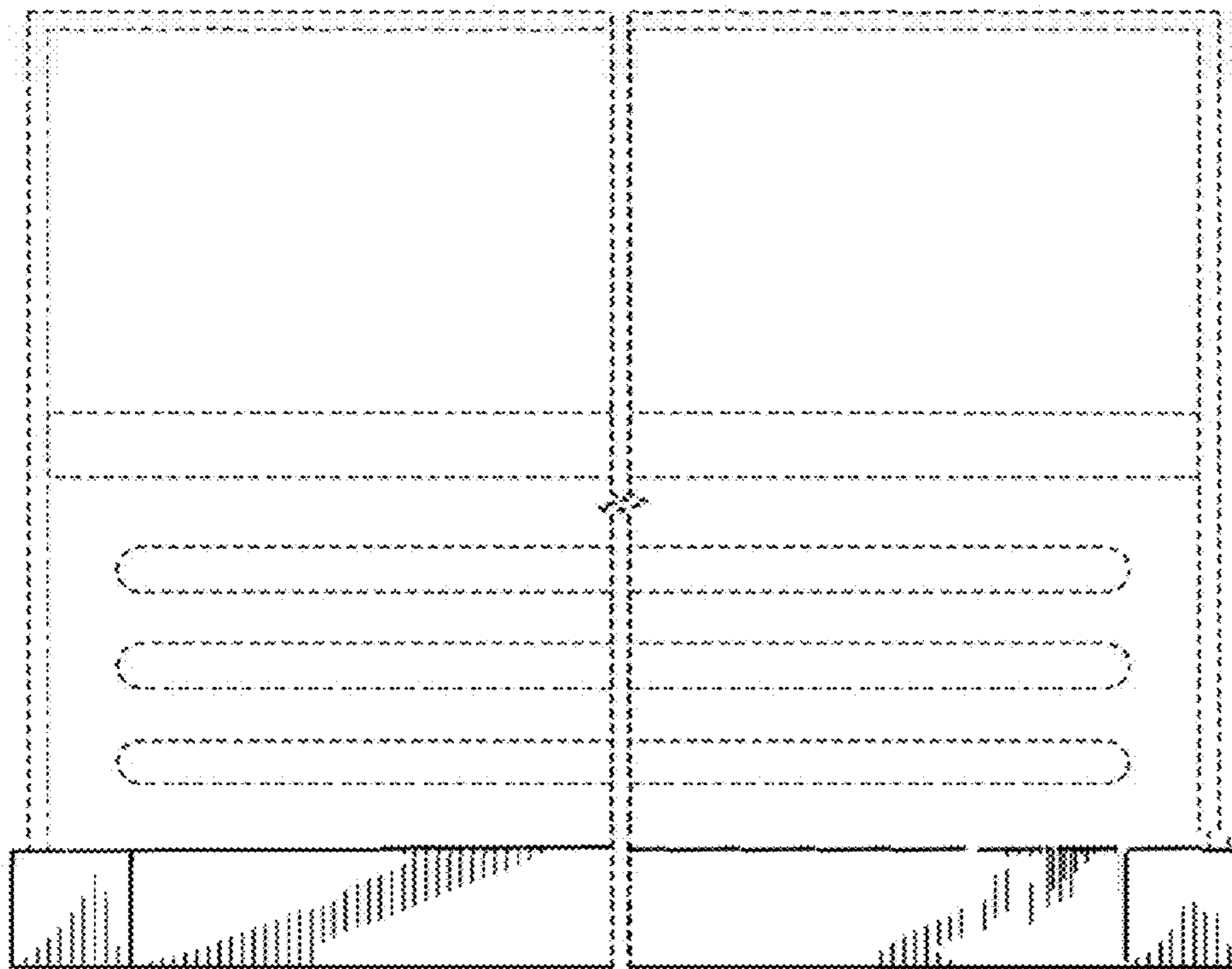


FIG. 5

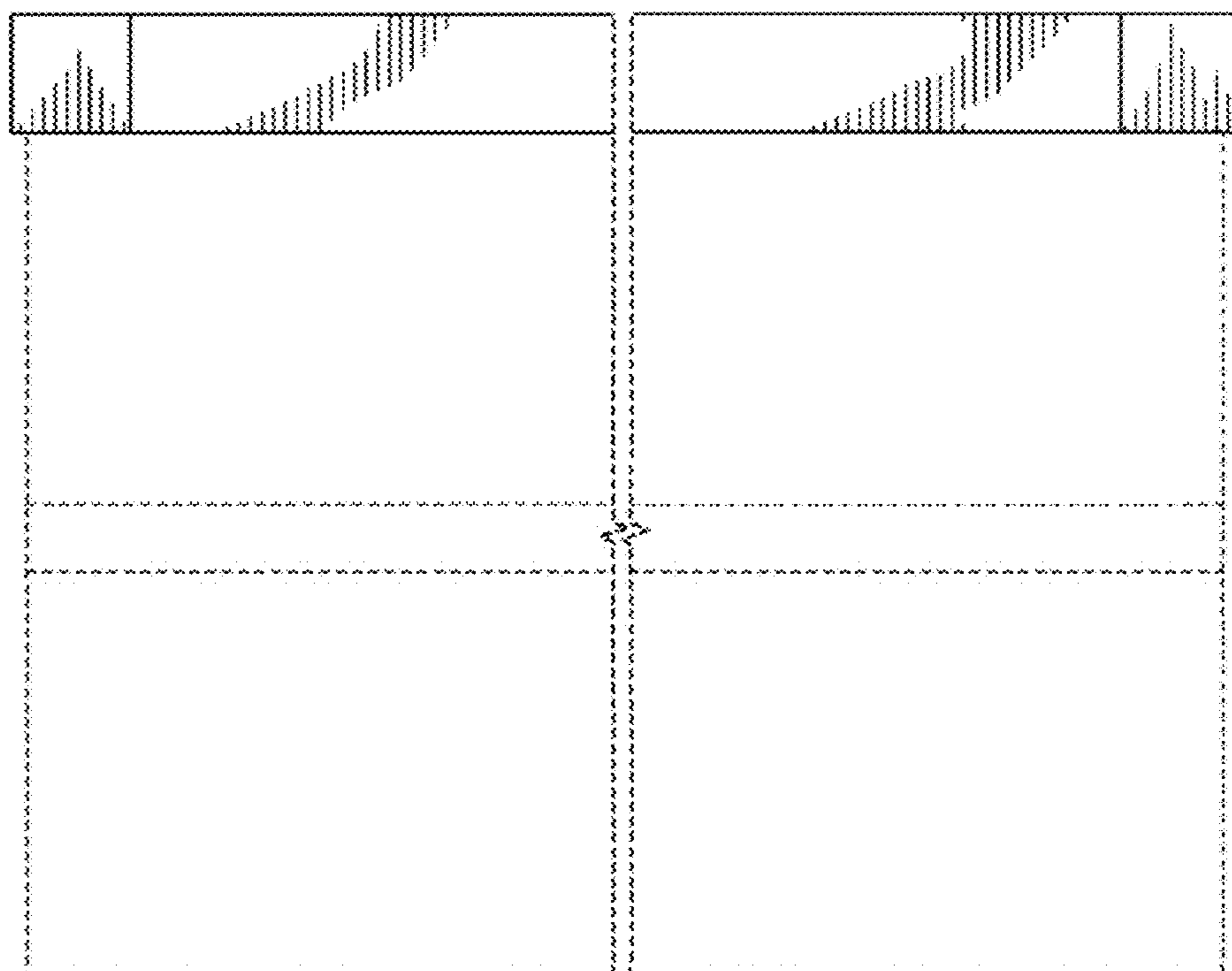


FIG. 6