



US00D754756S

(12) **United States Design Patent**
Jones et al.

(10) **Patent No.:** **US D754,756 S**
(45) **Date of Patent:** **** Apr. 26, 2016**

- (54) **COUPLER**
- (71) Applicants: **Donald W Jones**, Belton, TX (US);
Robert L. Frost, Sherman, TX (US)
- (72) Inventors: **Donald W Jones**, Belton, TX (US);
Robert L. Frost, Sherman, TX (US)
- (73) Assignee: **Belltec Industries, Inc.**, Belton, TX (US)
- (**) Term: **15 Years**
- (21) Appl. No.: **29/533,407**
- (22) Filed: **Jul. 16, 2015**

Related U.S. Application Data

- (62) Division of application No. 29/424,874, filed on Jun. 15, 2012, now Pat. No. Des. 743,446.
- (51) **LOC (10) Cl.** **15-03**
- (52) **U.S. Cl.**
USPC **D15/21**
- (58) **Field of Classification Search**
USPC D15/21, 28; 37/446, 455, 456, 459;
70/14, 51, 52, 57, 262, 431
CPC Y10T 403/7013; Y10T 403/7018;
Y10T 403/587; Y10T 403/553; E02F 9/2825;
E02F 9/2841
See application file for complete search history.

(56) **References Cited**

U.S. PATENT DOCUMENTS

- 3,526,435 A * 9/1970 Krekeler E21C 35/19
299/109
- D271,375 S * 11/1983 Baroody D8/382
- D271,376 S * 11/1983 Baroody D8/382
- 5,617,655 A * 4/1997 Launder E02F 9/2841
37/455
- D413,126 S * 8/1999 Warren D15/139
- 5,937,550 A * 8/1999 Emrich E02F 9/2825
37/456

- 5,992,063 A * 11/1999 Mack E02F 9/2825
172/753
- 6,439,796 B1 * 8/2002 Ruvang E02F 9/2841
37/455
- 7,162,818 B2 * 1/2007 Ruvang E02F 9/2825
37/452
- 7,313,877 B2 * 1/2008 Clendenning E02F 9/2833
37/456
- D583,224 S * 12/2008 Holdsworth D8/382
- D585,916 S * 2/2009 Greenleaf D15/128
- D588,445 S * 3/2009 Holdsworth D8/382
- D594,317 S * 6/2009 Anthony D8/382
- D614,476 S * 4/2010 Buhse D8/330
- D634,605 S * 3/2011 Guimaraes D15/28
- D644,249 S * 8/2011 Tapper D15/5
- D672,794 S * 12/2012 Frazier D15/139
- D703,031 S * 4/2014 Thach D8/382
- D743,446 S * 11/2015 Jones D15/21
- 2006/0037219 A1 * 2/2006 Robinson E02F 9/2833
37/456
- 2006/0236567 A1 * 10/2006 Adamic E02F 9/2833
37/452
- 2008/0209772 A1 * 9/2008 Cui E02F 9/2841
37/456
- 2010/0162595 A1 * 7/2010 Leslie E02F 9/2841
37/456
- 2010/0170119 A1 * 7/2010 Lopez Almedros E02F 9/2825
37/452
- 2010/0229433 A1 * 9/2010 Leslie E02F 9/2841
37/456

* cited by examiner

Primary Examiner — Mark Goodwin

(74) *Attorney, Agent, or Firm* — Anthony V. S. England

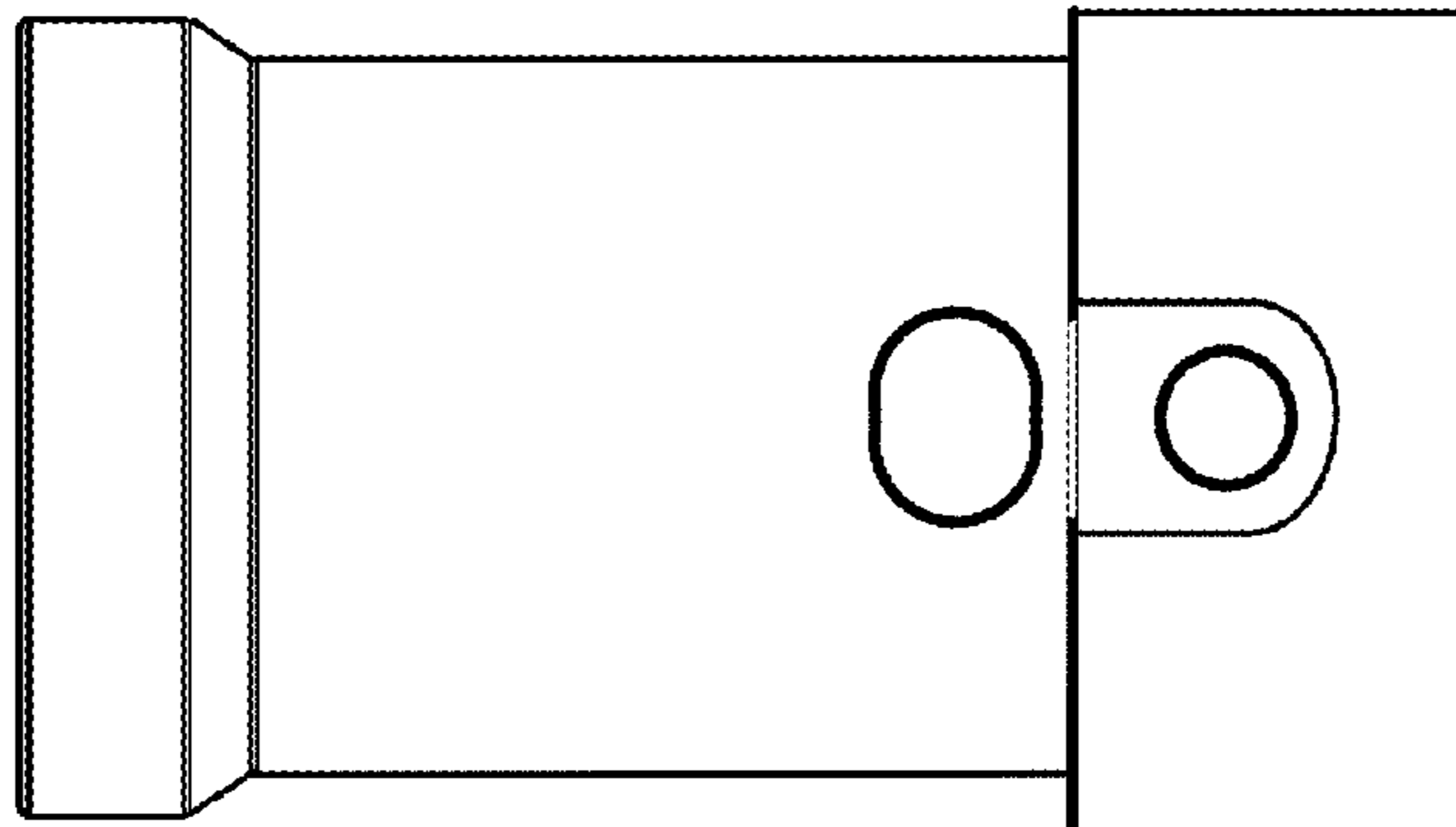
(57) **CLAIM**

The ornamental design for a coupler, as shown and described.

DESCRIPTION

FIG. 1 is an end view of a coupler showing our new design; FIG. 2 is a side view thereof; and, FIG. 3 is an isometric view thereof. The opposite end and opposite side views form no part of the claimed design.

1 Claim, 1 Drawing Sheet



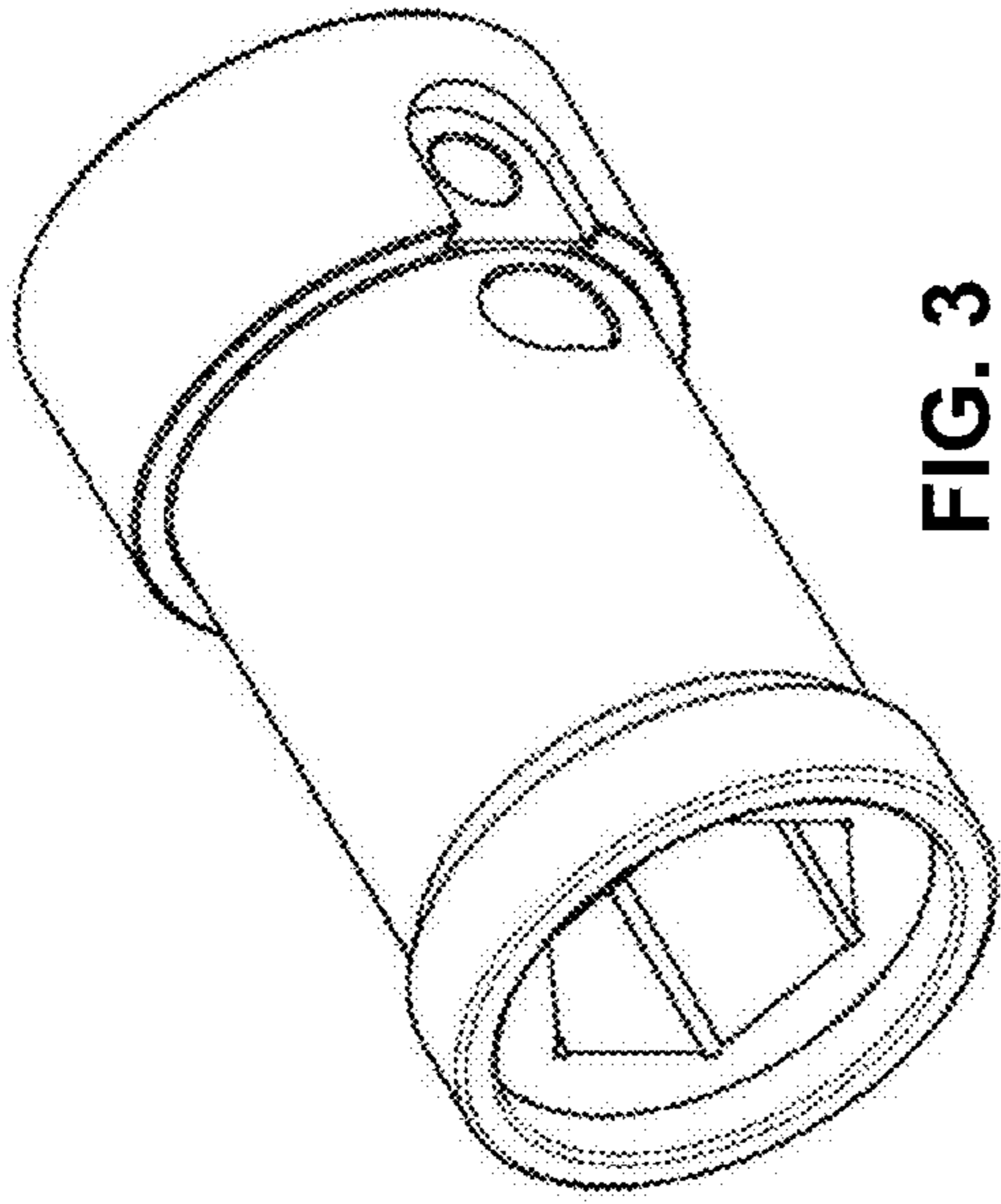


FIG. 3

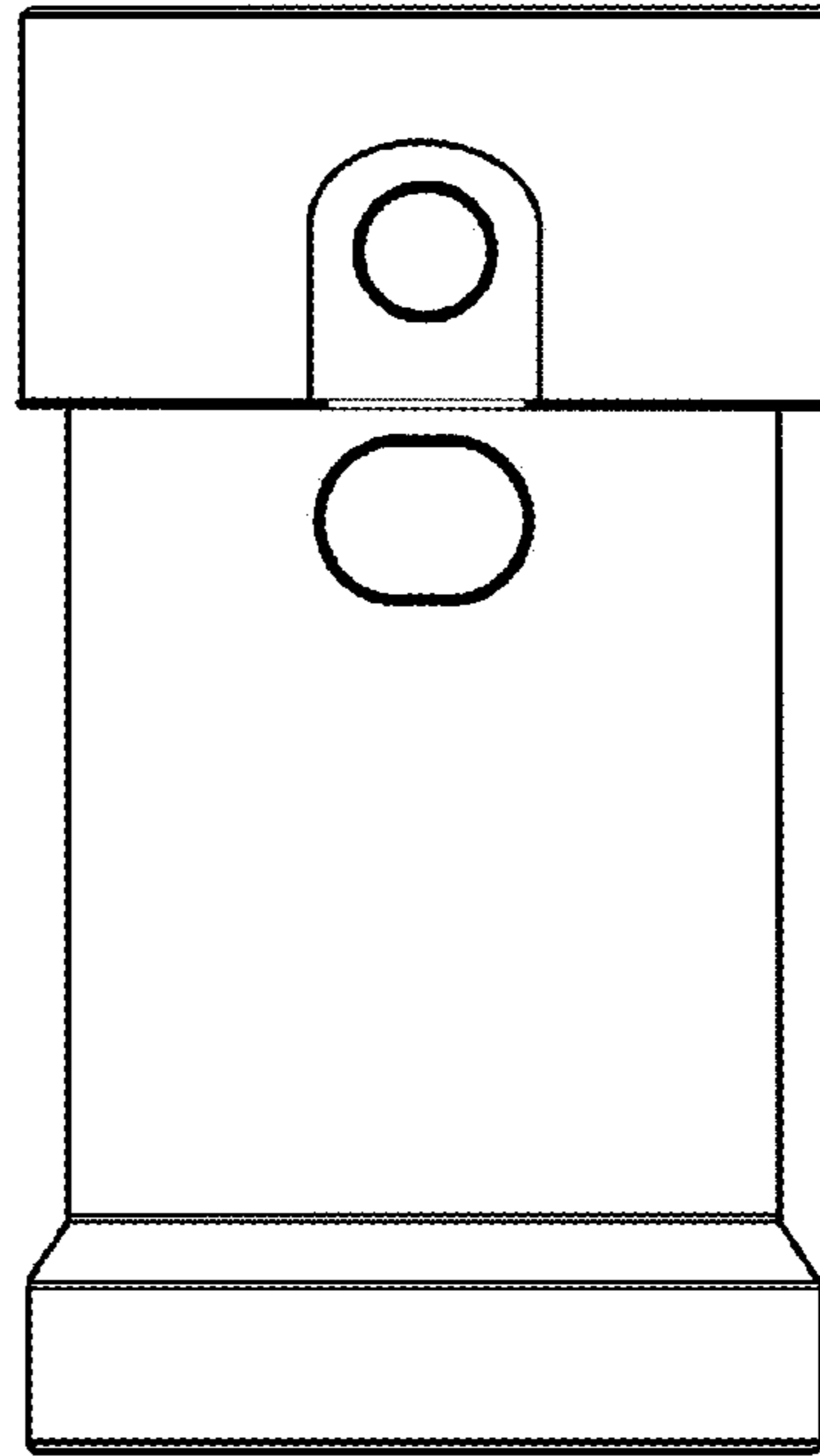


FIG. 2

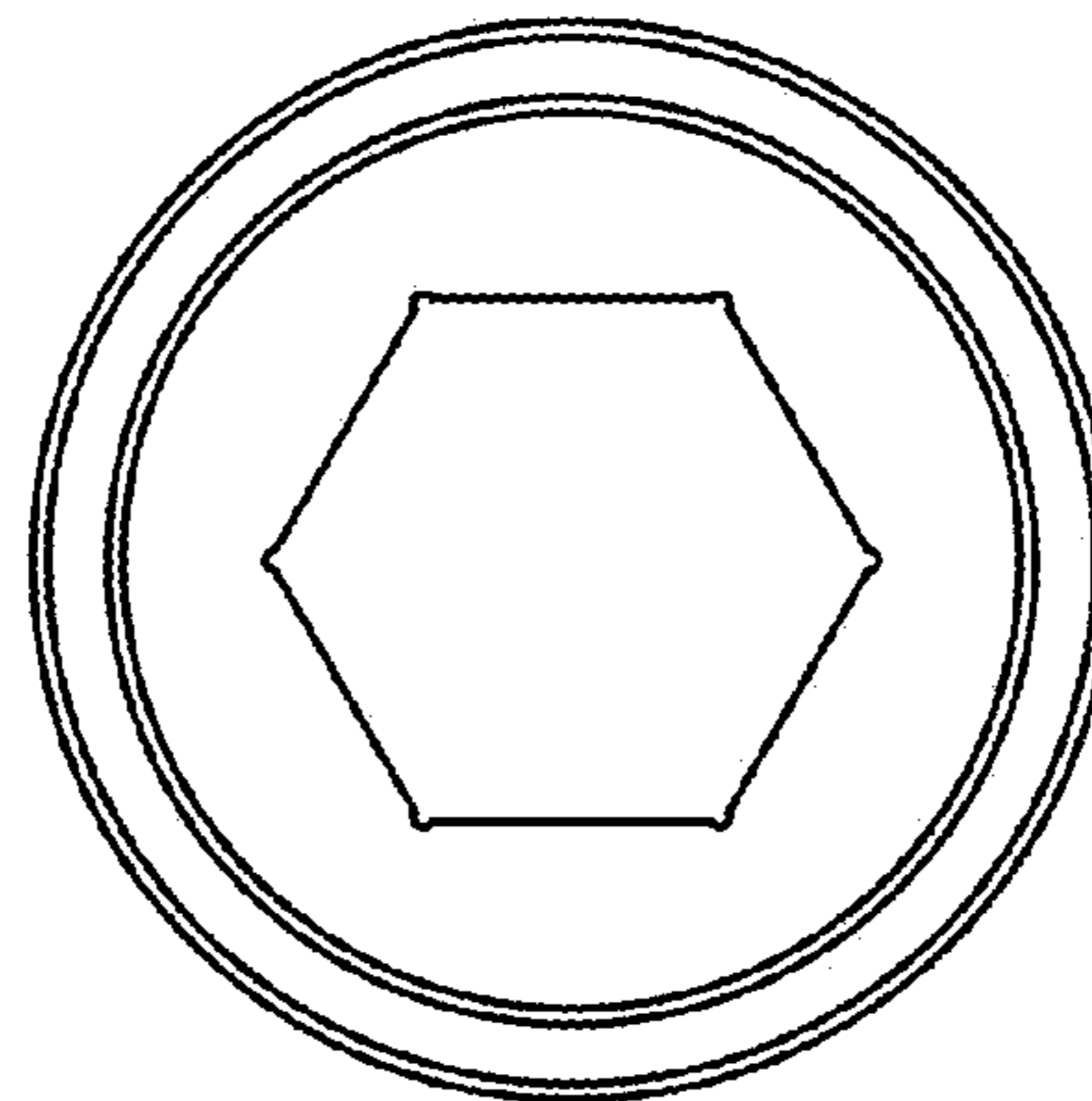


FIG. 1