

US00D754755S

(12) **United States Design Patent**
Suthmann

(10) **Patent No.:** **US D754,755 S**

(45) **Date of Patent:** **** Apr. 26, 2016**

(54) **PORTABLE COMPRESSOR**

(71) Applicant: **KAESER KOMPRESSOREN SE,**
Coburg (DE)

(72) Inventor: **Michael Suthmann,** Kranzberg (DE)

(73) Assignee: **KAESER KOMPRESSOREN SE,**
Coburg (DE)

(**) Term: **14 Years**

(21) Appl. No.: **29/519,650**

(22) Filed: **Mar. 6, 2015**

(30) **Foreign Application Priority Data**

Sep. 9, 2014 (EM) 002533976-0001

Sep. 9, 2014 (EM) 002533976-0002

(51) **LOC (10) Cl.** **15-02**

(52) **U.S. Cl.**
USPC **D15/9**

(58) **Field of Classification Search**

USPC D15/7-9; D23/231, 232, 225; 417/60,
417/235, 265, 321, 355, 358, 363, 359,
417/410.1, 415-416, 405, 900; 60/408,
60/412; 184/26-37; 415/140-147;
123/495, 509; 137/565.34

CPC F02M 37/04; F02M 37/14

See application file for complete search history.

(56) **References Cited**

U.S. PATENT DOCUMENTS

D516,091 S *	2/2006	Leasure	D15/9
D517,092 S *	3/2006	Leasure	D15/9
D578,551 S *	10/2008	Bonzer	D15/9
D585,460 S *	1/2009	Plunk	D15/9
D620,500 S *	7/2010	Brandt	D15/9
D644,250 S *	8/2011	Barber	D15/7
D649,163 S *	11/2011	Moormann	D15/7
D700,626 S *	3/2014	Zhangyan	D15/7
D718,790 S *	12/2014	Yang	D15/9

* cited by examiner

Primary Examiner — Ralf Seifert

(74) *Attorney, Agent, or Firm* — Panitch Schwarze Belisario
& Nadel LLP

(57) **CLAIM**

The ornamental design for a portable compressor, as shown
and described.

DESCRIPTION

FIG. 1 is a front and top perspective view of a portable
compressor in accordance with a preferred embodiment of
my new design;

FIG. 2 is a front elevational view thereof;

FIG. 3 is a left side elevational view thereof;

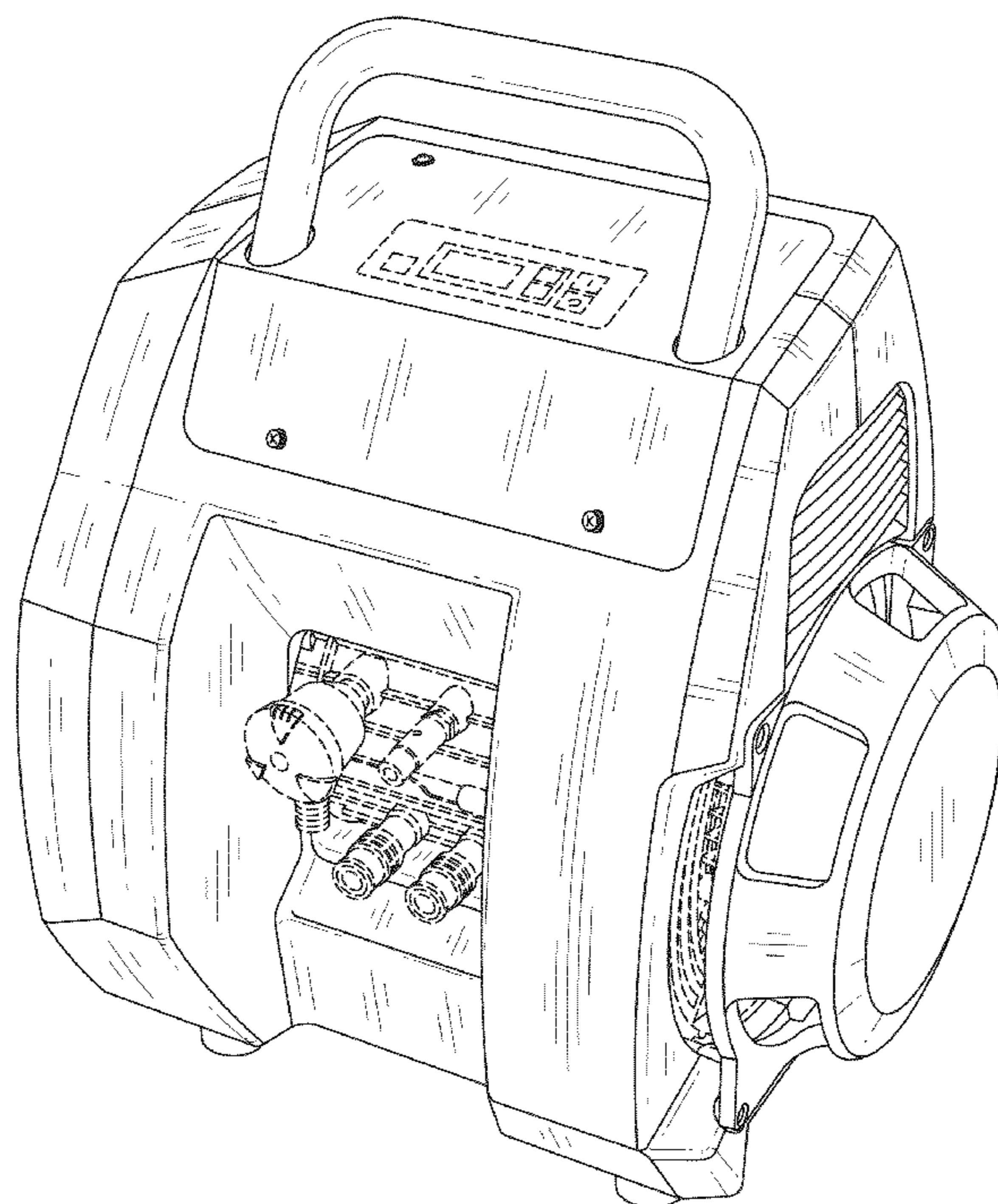
FIG. 4 is a right side elevational view thereof;

FIG. 5 is a rear elevational view thereof; and,

FIG. 6 is a top plan view thereof.

The broken lines in the figures are for illustrating environ-
mental structure only and form no part of the claimed design.
The bottom view of the portable compressor is not shown in
the drawings or described in the specification, and therefore,
forms no part of the claimed design.

1 Claim, 6 Drawing Sheets



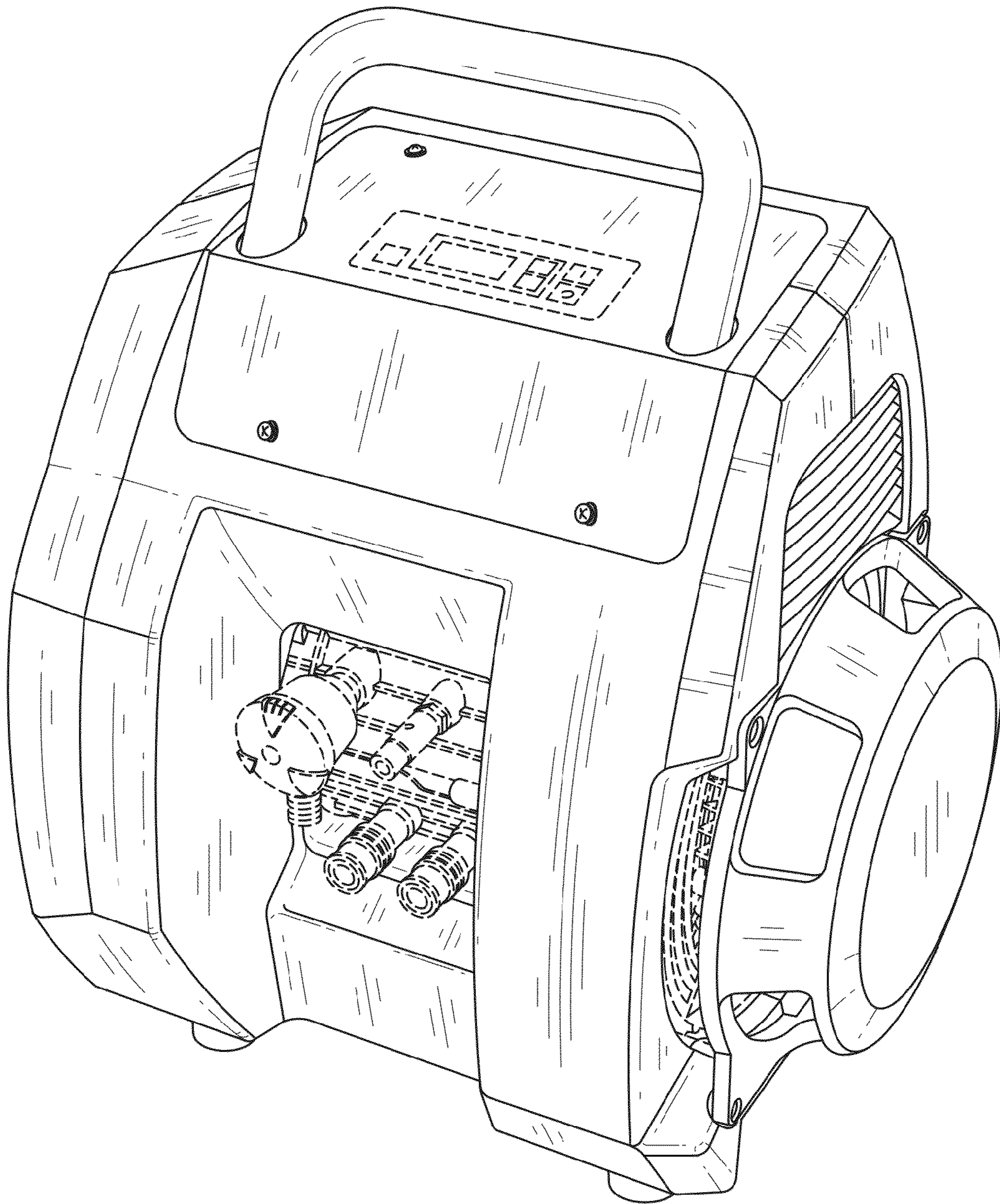


Fig. 1

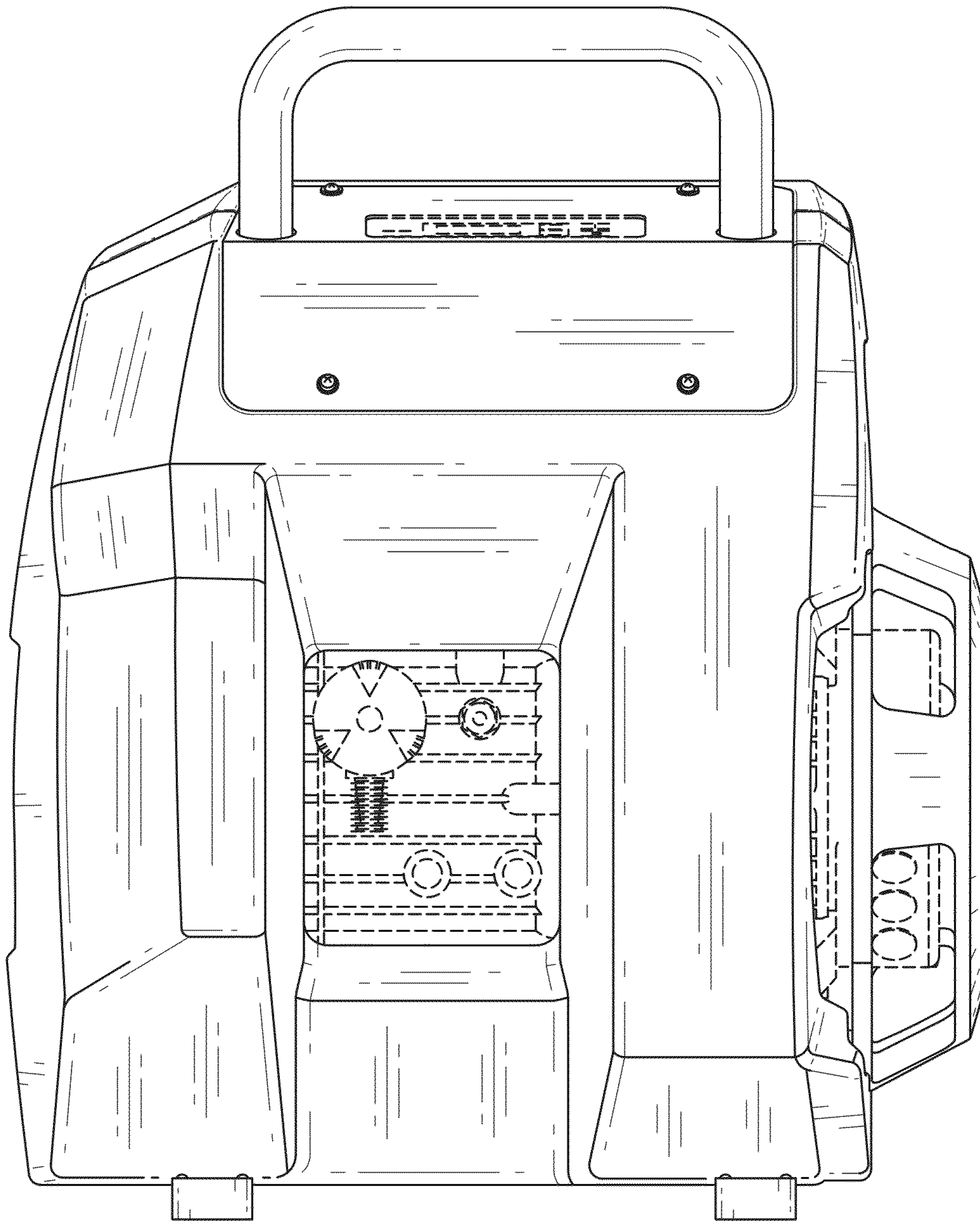


Fig. 2

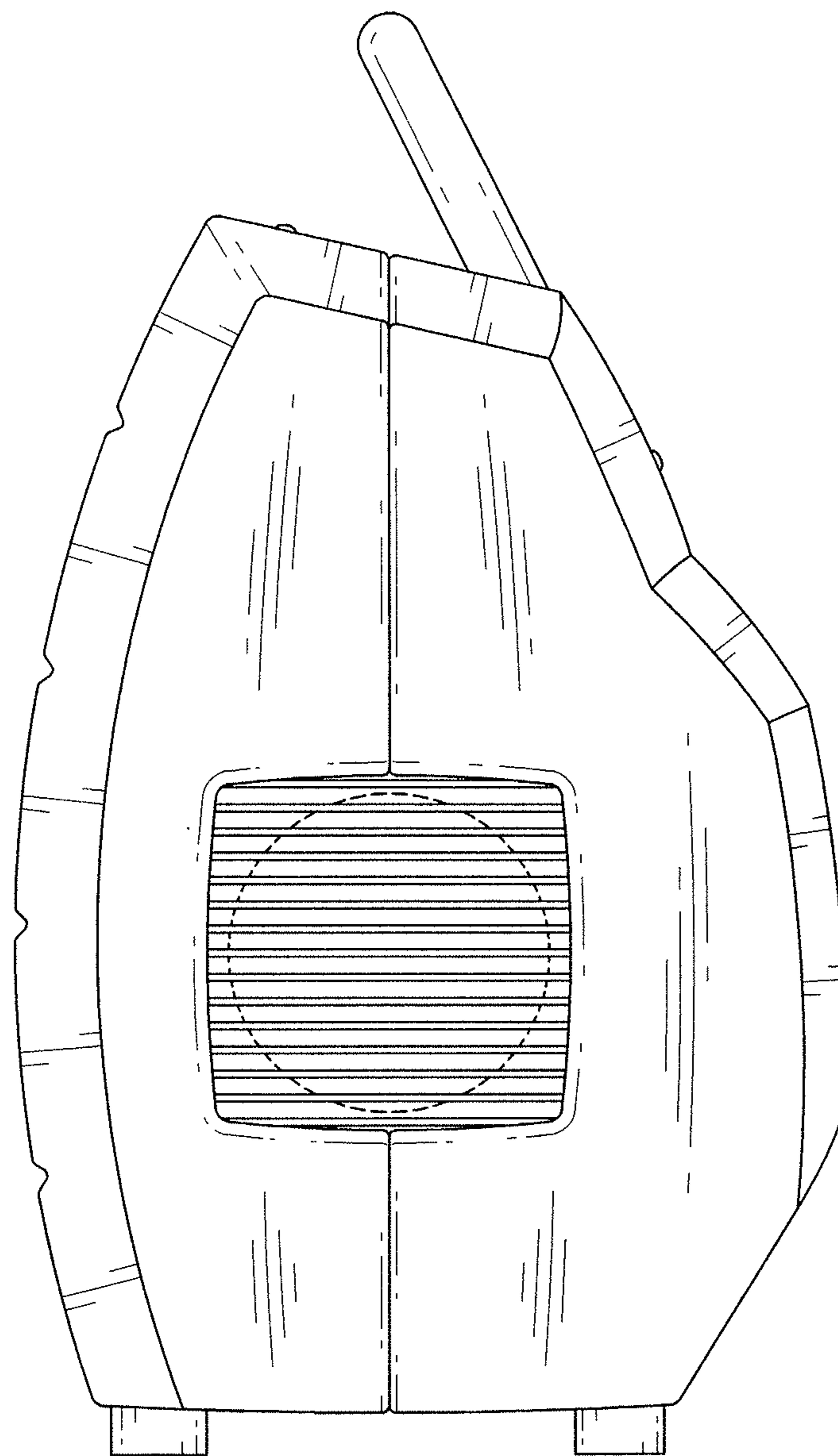


Fig. 3

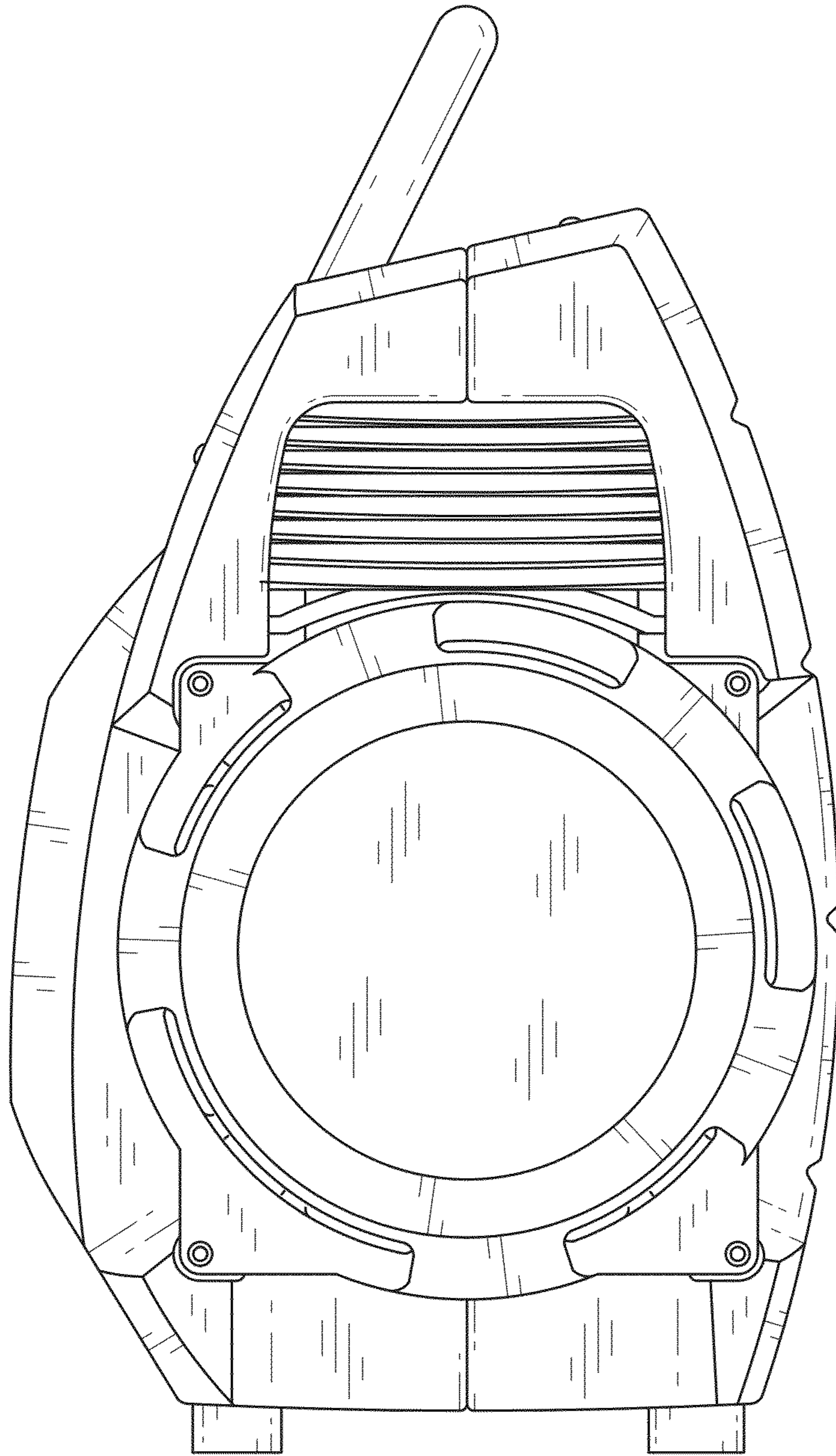


Fig. 4

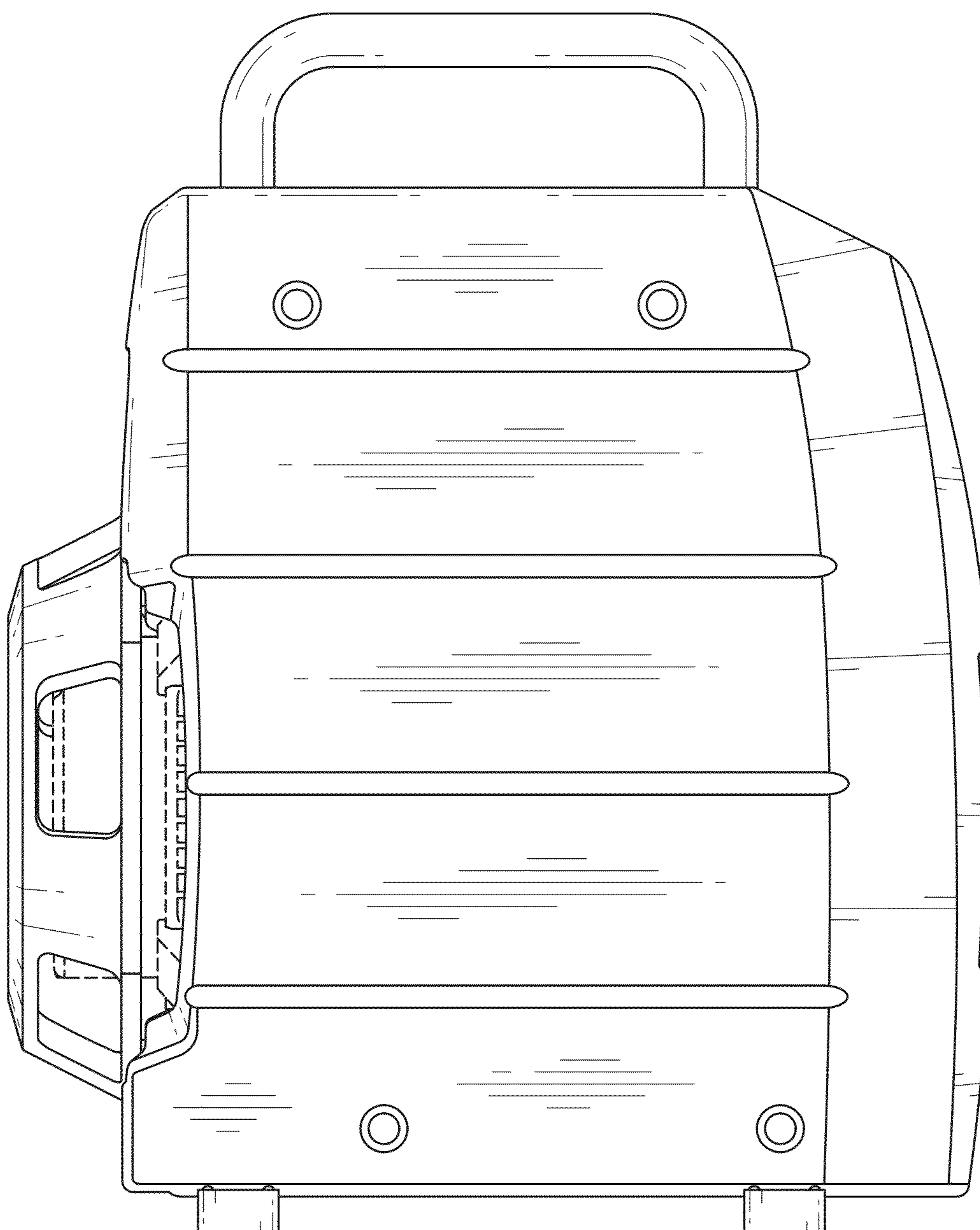


Fig. 5

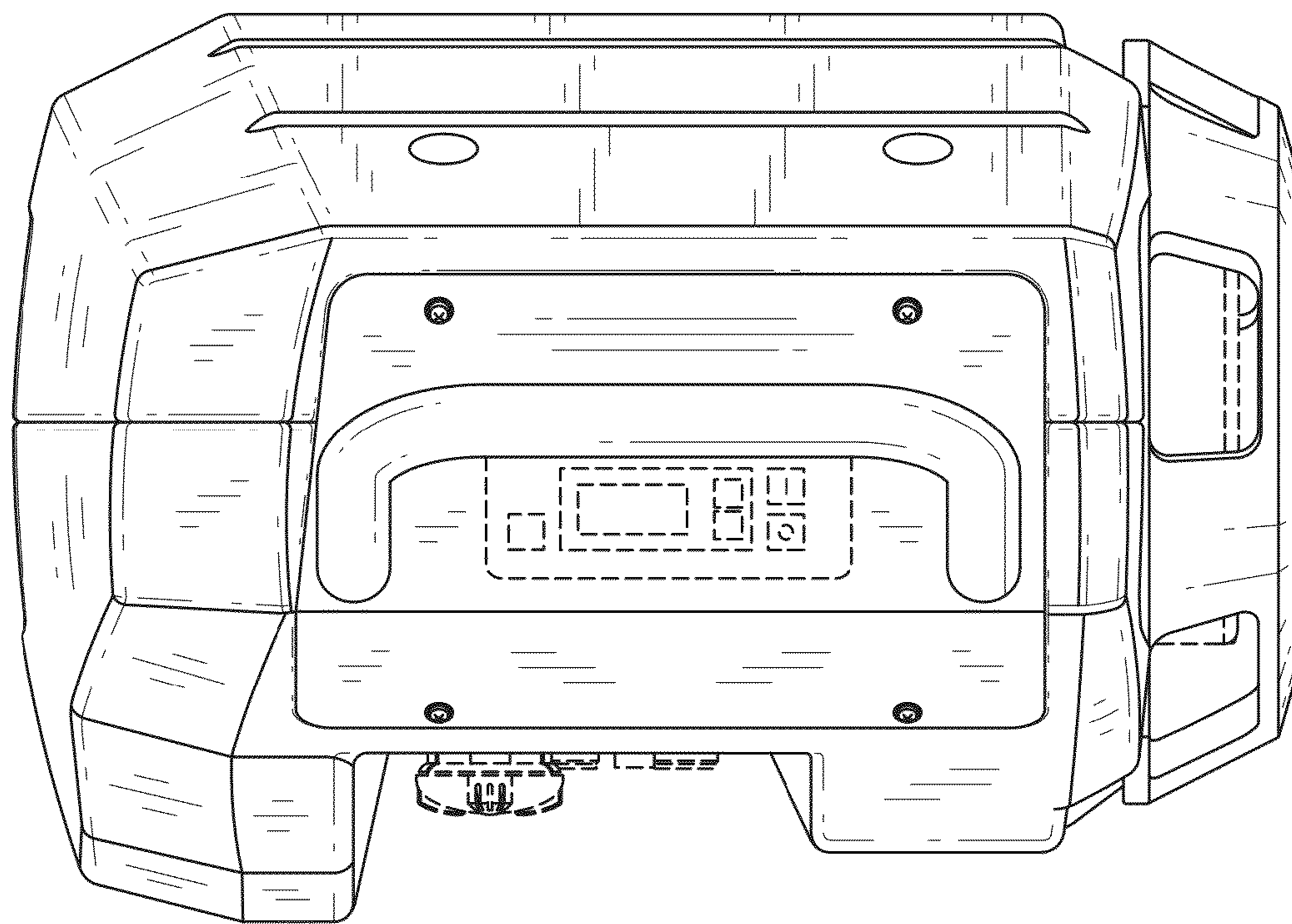


Fig. 6