



US00D754751S

(12) **United States Design Patent**
Kusano et al.

(10) **Patent No.:** **US D754,751 S**

(45) **Date of Patent:** **** Apr. 26, 2016**

(54) **PLAYBACK DEVICE**

(71) Applicant: **Sonos, Inc**, Santa Barbara, CA (US)

(72) Inventors: **Mieko Kusano**, Santa Barbara, CA (US); **Ernesto Figueira**, Santa Barbara, CA (US); **Roland Bird**, Santa Barbara, CA (US); **Niels Van Hoof**, Santa Barbara, CA (US)

(73) Assignee: **Sonos, Inc.**, Santa Barbara, CA (US)

(**) Term: **14 Years**

(21) Appl. No.: **29/499,300**

(22) Filed: **Aug. 13, 2014**

(51) **LOC (10) Cl.** **14-02**

(52) **U.S. Cl.**
USPC **D14/496; D14/203.3**

(58) **Field of Classification Search**
USPC D14/496, 356, 358, 314, 240, 242, 363, D14/365, 434, 167, 168, 156, 125, 203.3, D14/203.1; D13/110, 168, 184; D21/332; 455/557; 361/679.31, 679.32, 679.33; 312/223.1

CPC G06F 1/16
See application file for complete search history.

(56) **References Cited**

U.S. PATENT DOCUMENTS

D286,633 S	*	11/1986	Pauser	D14/299
D416,004 S	*	11/1999	Tanimura	D14/368
D416,896 S	*	11/1999	Ogasawara	D14/507
D513,617 S	*	1/2006	Tierney	D14/496
D513,750 S	*	1/2006	Ko et al.	D14/365
D519,101 S	*	4/2006	Alwicker et al.	D14/188
D530,315 S	*	10/2006	Liu	D14/240
D532,785 S	*	11/2006	Lo et al.	D14/363

D533,177 S	*	12/2006	Andre et al.	D14/314
D535,281 S	*	1/2007	Yang	D14/203.3
D537,817 S	*	3/2007	Andre et al.	D14/314
D542,288 S	*	5/2007	Andre et al.	D14/314
D574,360 S	*	8/2008	Matsuoka	D14/168
D583,796 S	*	12/2008	Tanaka	D14/155
D585,733 S	*	2/2009	Feibelman	D9/423
D594,874 S	*	6/2009	Sheba et al.	D14/496
D594,875 S	*	6/2009	Sheba et al.	D14/496
D596,626 S	*	7/2009	Andre et al.	D14/240
D599,753 S	*	9/2009	Cho et al.	D14/125
D601,583 S	*	10/2009	Andre et al.	D14/496
D609,701 S	*	2/2010	Hou	D14/240

(Continued)

OTHER PUBLICATIONS

“Apple TV 4! Will You Get One?”, Dtathemes, Sep. 8, 2015, retrieved from <http://www.dtathemes.com/apple-tv-4-will-you-get-one/> on Mar. 2, 2016.

(Continued)

Primary Examiner — Paula Greene

(74) *Attorney, Agent, or Firm* — KPPB LLP

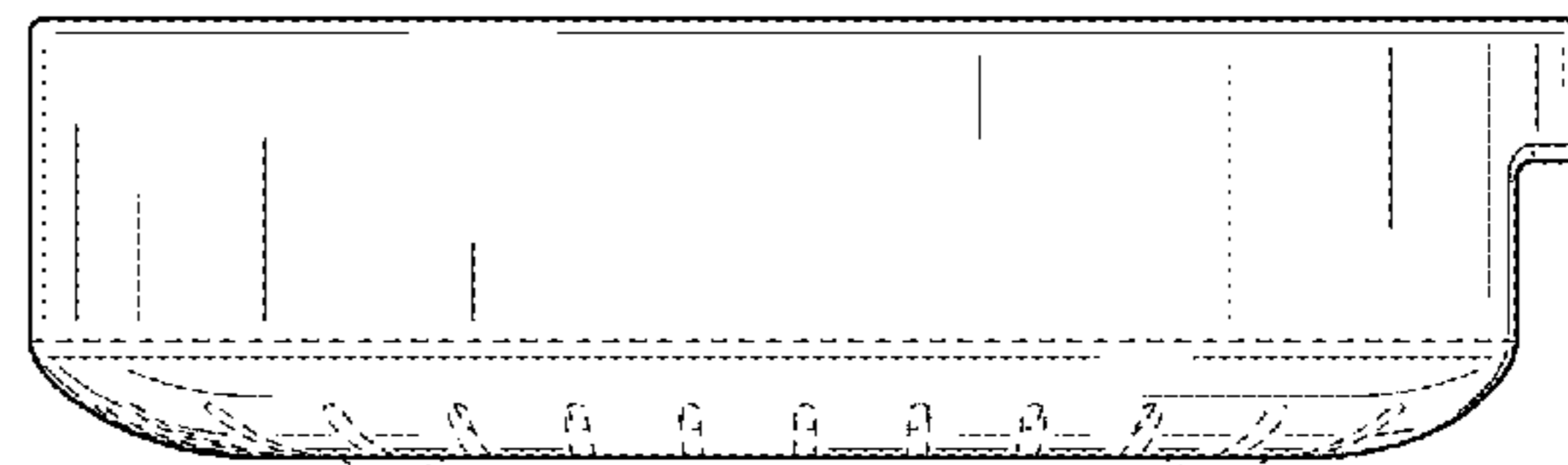
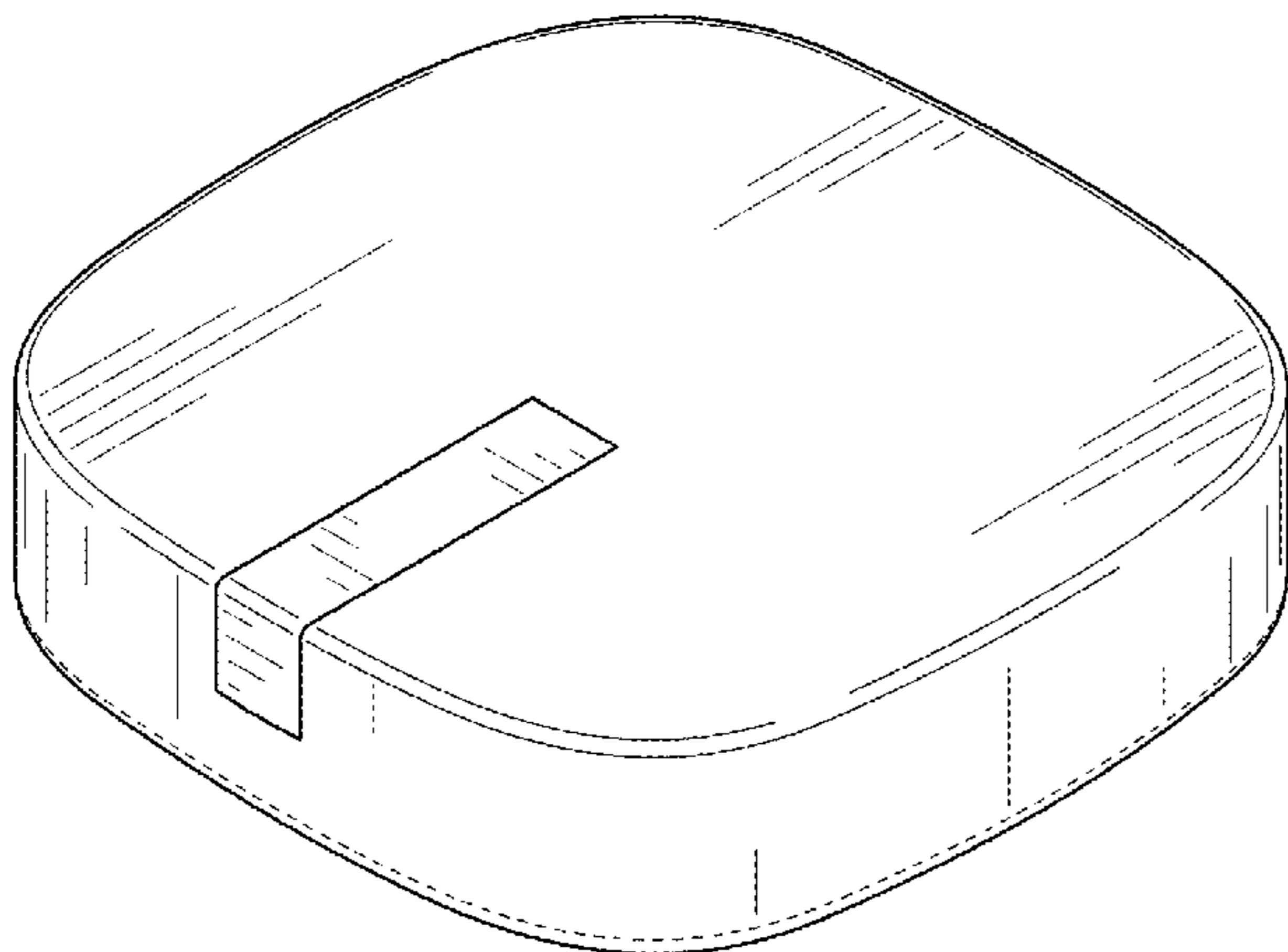
(57) **CLAIM**

The ornamental design for a playback device, as shown and described.

DESCRIPTION

FIG. 1 is an isometric view of a playback device.
FIG. 2 is a front view of the playback device of FIG. 1.
FIG. 3 is a rear view of the playback device of FIG. 1.
FIG. 4 is a side view of the playback device of FIG. 1.
FIG. 5 is another side view of the playback device of FIG. 1.
FIG. 6 is a top view of the playback device of FIG. 1; and,
FIG. 7 is a bottom view of the playback device of FIG. 1.
The features shown in broken lines are for illustrative purposes only and do not form part of the claimed design.

1 Claim, 3 Drawing Sheets



(56)

References Cited

U.S. PATENT DOCUMENTS

D620,953	S *	8/2010	Andre et al.	D14/496
D638,426	S *	5/2011	Ikedo et al.	D14/358
D641,327	S *	7/2011	Falakfarsa et al.	D14/125
D641,364	S *	7/2011	McParland	D14/356
D651,994	S *	1/2012	Lundbom et al.	D14/125
D657,784	S *	4/2012	Akana et al.	D14/314
D660,809	S *	5/2012	Kern Koskela et al.	D13/168
D664,130	S *	7/2012	Lee	D14/240
D676,005	S *	2/2013	Wood et al.	D14/125
8,411,434	B2 *	4/2013	Goh et al.	361/679.6
D686,201	S *	7/2013	Lee	D14/314
D689,860	S *	9/2013	Chong et al.	D14/368
D693,808	S *	11/2013	Kim et al.	D14/365
D719,153	S *	12/2014	Lim et al.	D14/365
D719,561	S *	12/2014	Akana et al.	D14/314
D719,928	S *	12/2014	Birger	D14/203.3
D723,479	S *	3/2015	Lee et al.	D14/125
D727,360	S *	4/2015	Peng et al.	D14/496
2008/0040735	A1 *	2/2008	Saitou et al.	720/622
2009/0228654	A1 *	9/2009	Lakowicz	711/115

OTHER PUBLICATIONS

“Apple TV 4th Generation—Initial Thoughts”, UofMTiger Tech, Oct. 31, 2015, Retrieved from <http://www.uofmtiger.com/blog/apple-tv-4th-generation-initial-thoughts> on Mar. 2, 2016.

Brown, Ken, “Western Digital WD TV Play Media Player Review”, Legit Reviews, Feb. 20, 2013, Retrieved from http://www.legitreviews.com/western-digital-wd-tv-play-media-player-review_2140 on Mar. 2, 2016.

Coles, Olin, “WD TV Live Digital MultiMedia Player”, BenchmarkReviews, Jul. 9, 2012, Retrieved from http://archive.benchmarkreviews.com/index.php?option=com_content&task=view&id=950&Itemid=66&limitstart=1 on Mar. 2, 2016.

Sze, Kelvin, “Netgear NeoTV NTV300, NeoTV PRO NTV300S and NeoTV MAX NTV300SL Streaming Players”, ITech News Net, Sep. 20, 2012, Retrieved from <http://www.itechnews.net/2012/09/20/netgear-neotv-ntv300-neotv-pro-ntv300s-and-neotv-max-ntv300sl-streaming-players/> on Mar. 2, 2016.

* cited by examiner

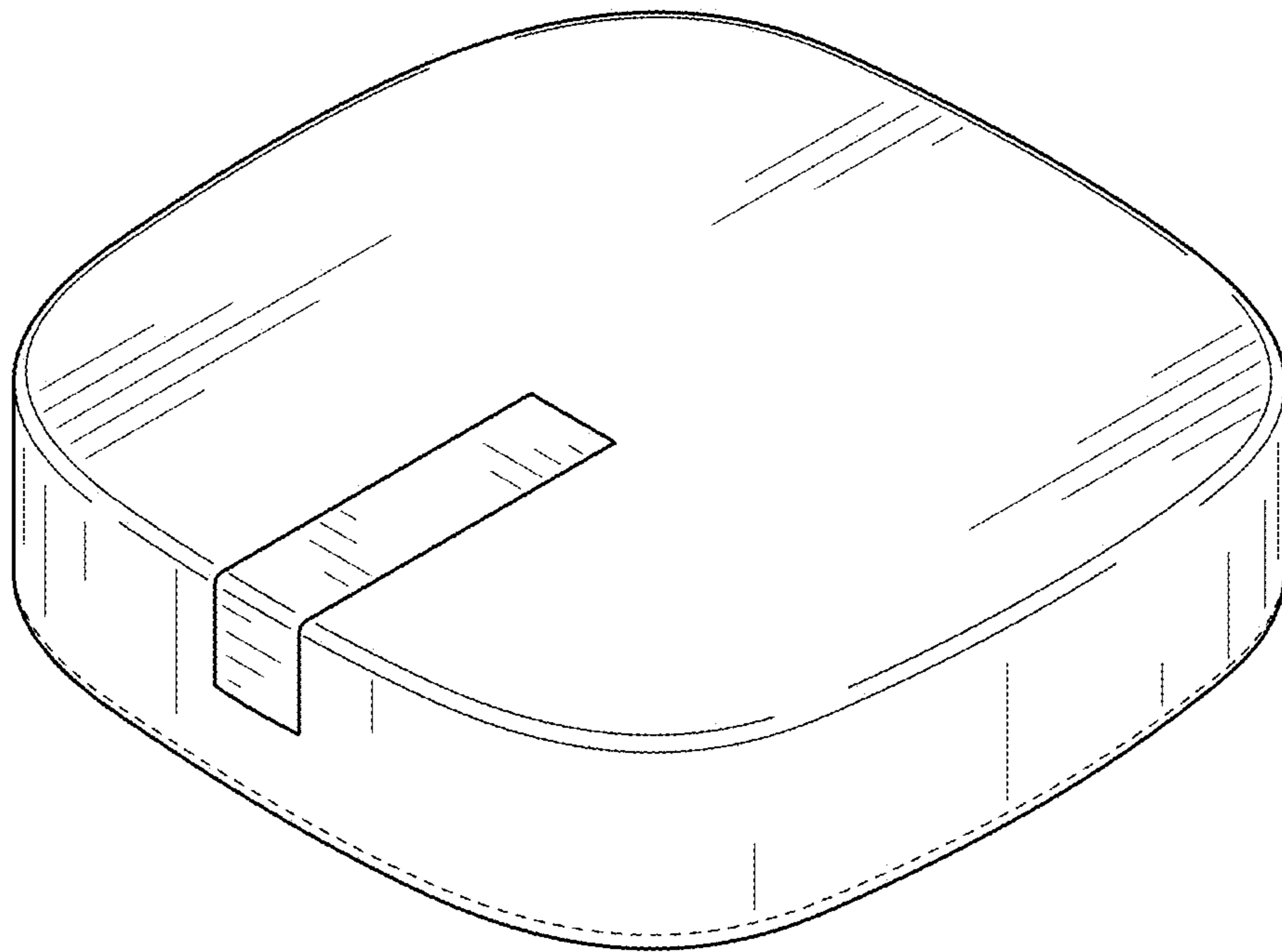


FIG. 1

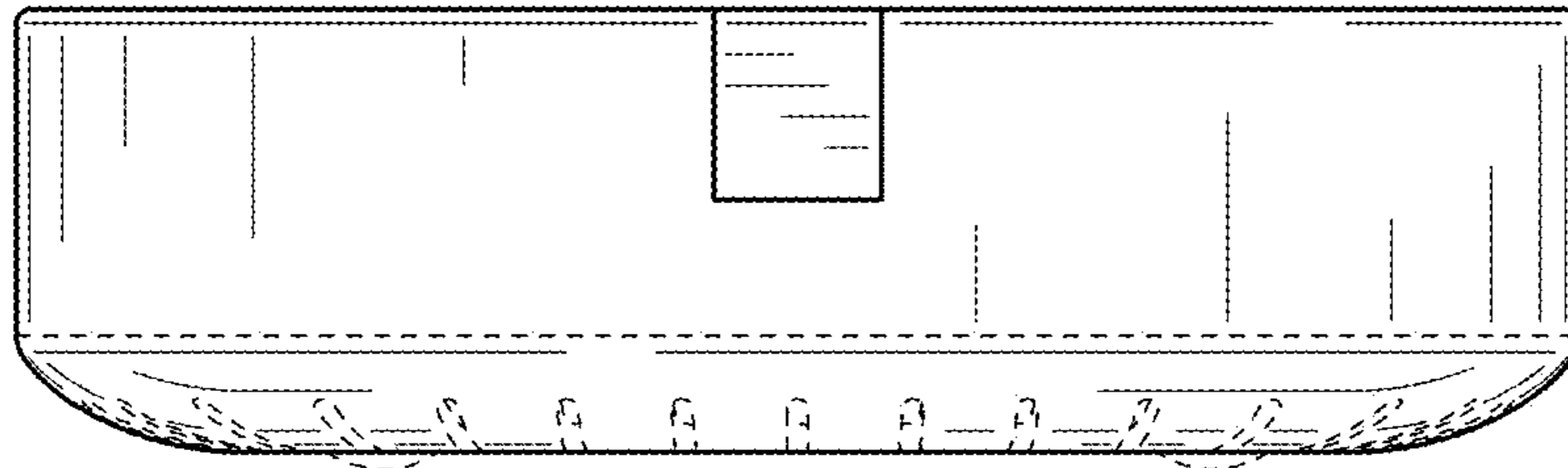


FIG. 2

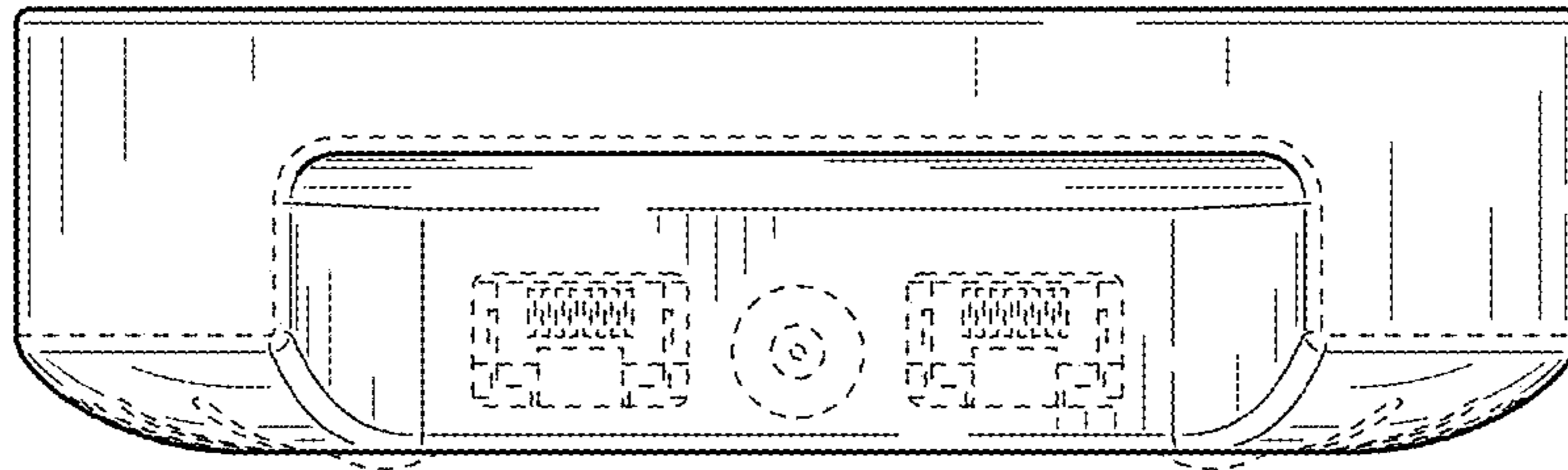


FIG. 3

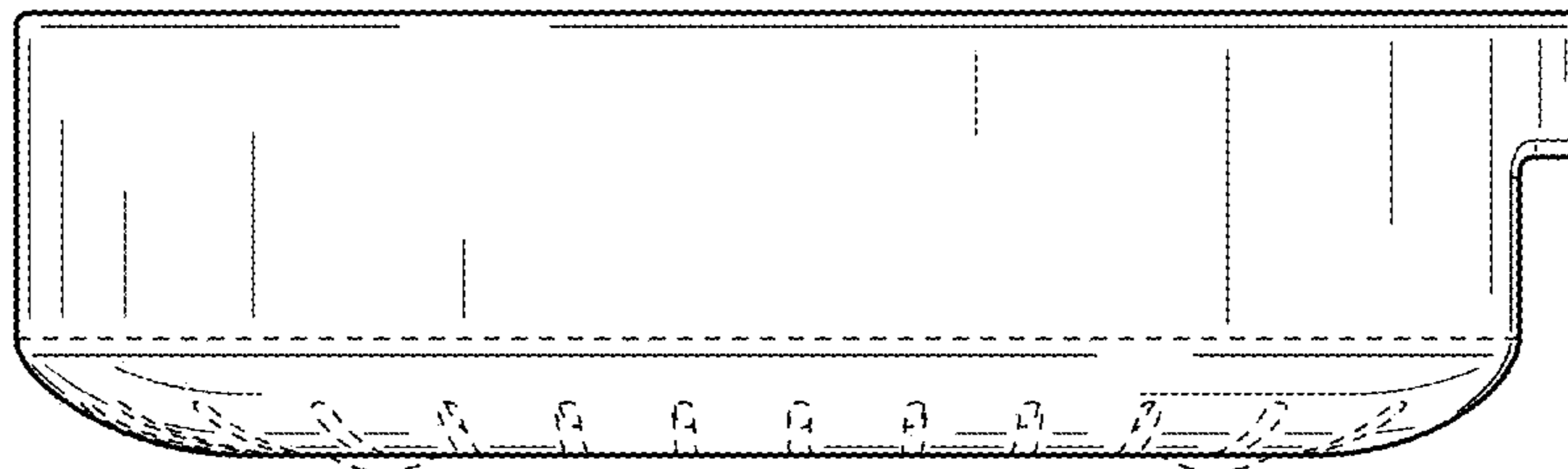


FIG. 4

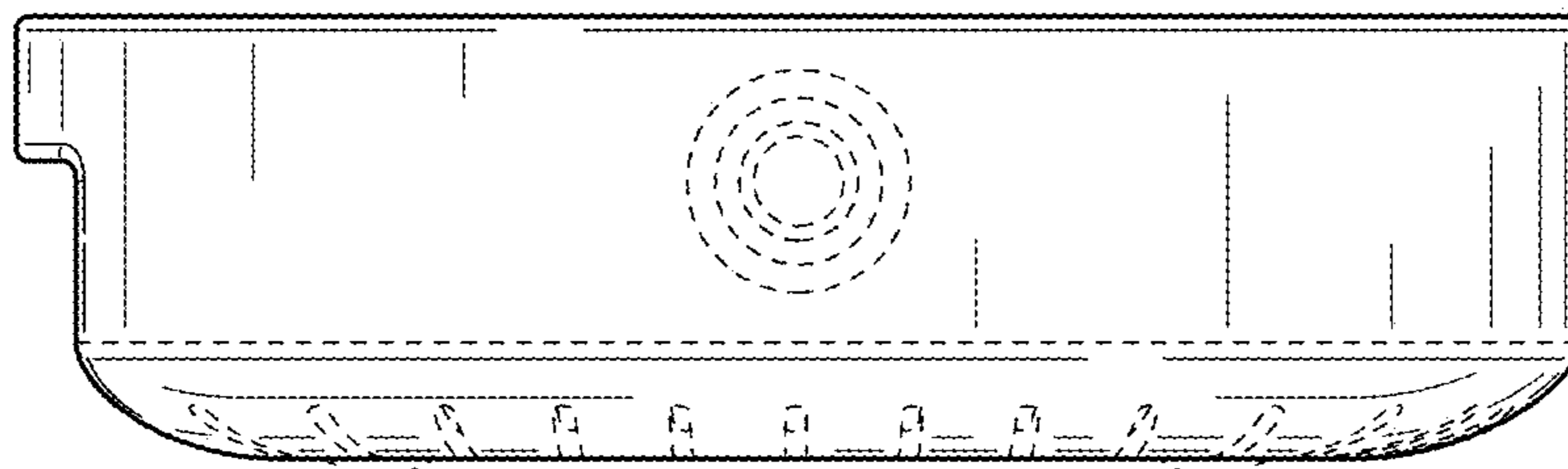


FIG. 5

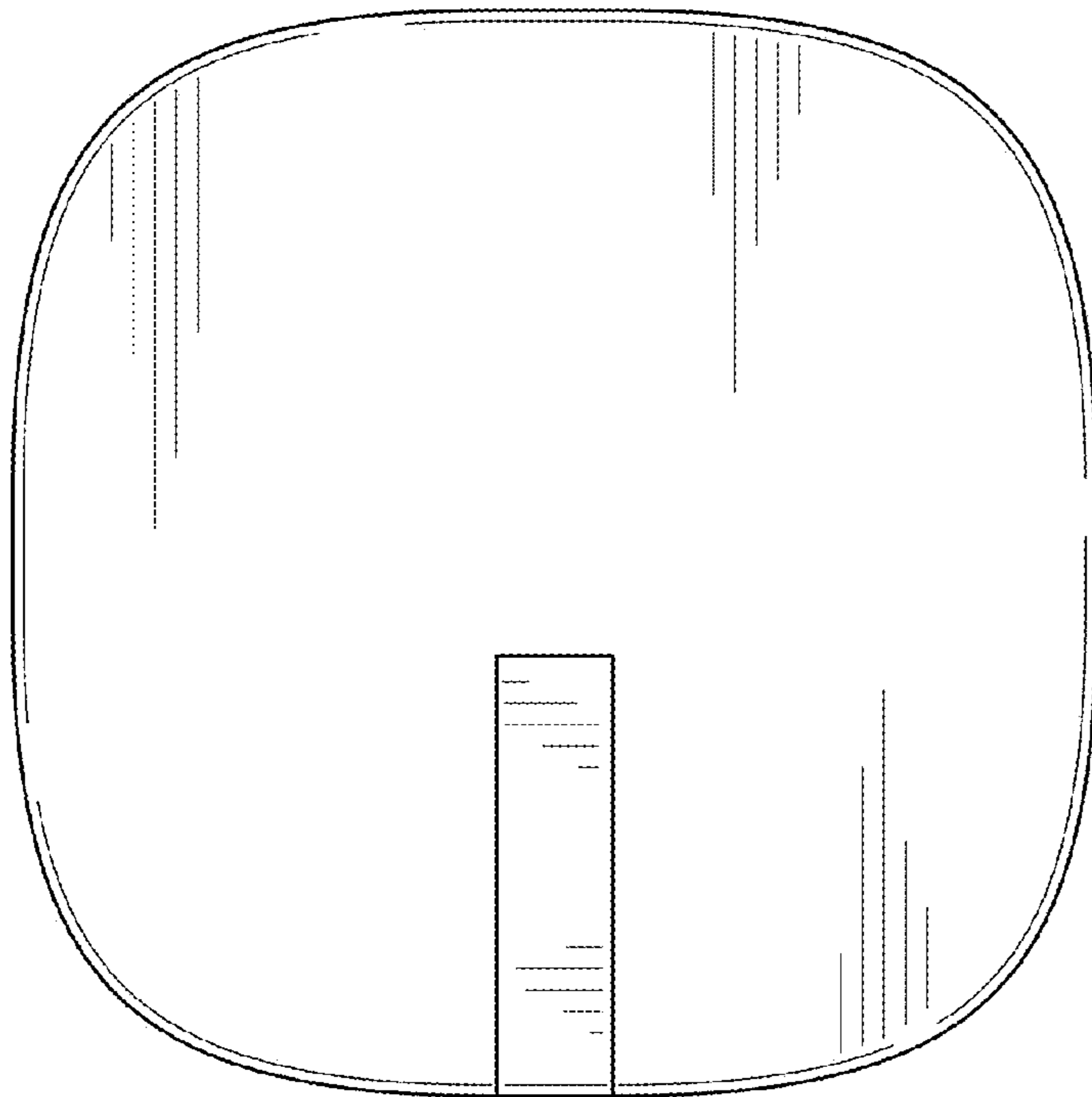


FIG. 6

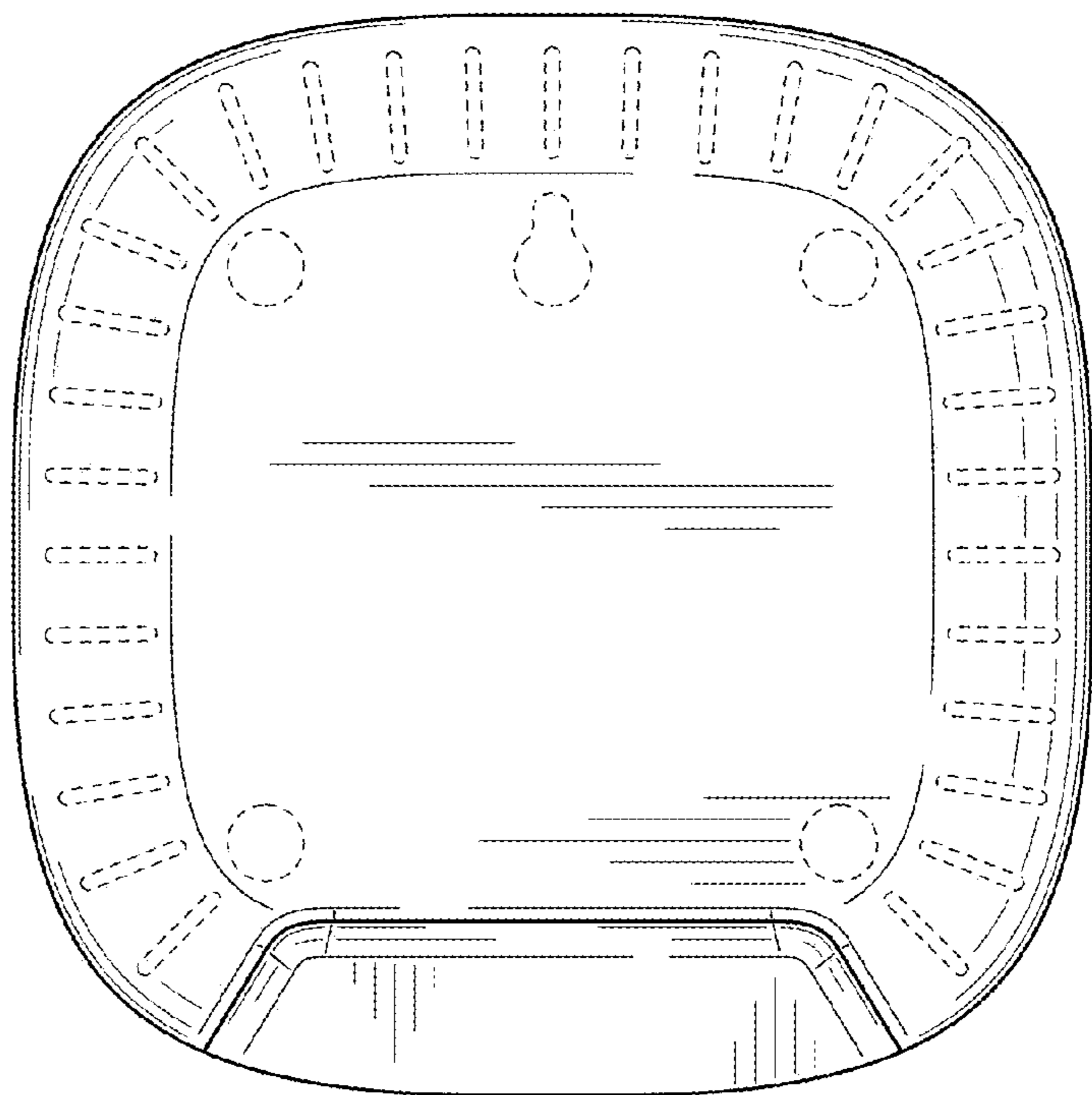


FIG. 7