



US00D754713S

(12) **United States Design Patent**
Zhang et al.

(10) **Patent No.:** **US D754,713 S**
(45) **Date of Patent:** **** Apr. 26, 2016**

(54) **PORTION OF A DISPLAY SCREEN WITH ANIMATED GRAPHICAL USER INTERFACE**

Available from Internet, <URL: <https://id.techinasia.com/reviewjooxaplikasistreamingmusik/>>.*

(Continued)

(71) Applicant: **Tencent Technology (Shenzhen) Company Limited**, Shenzhen, Guangdong (CN)

Primary Examiner — Karen E Kearney
Assistant Examiner — Kathleen Jones

(72) Inventors: **Jieming Zhang**, Guangdong (CN);
Dongdong Liu, Guangdong (CN);
Huguang Jin, Guangdong (CN);
Bingzhen Yang, Guangdong (CN)

(74) *Attorney, Agent, or Firm* — Design IP

(73) Assignee: **Tencent Technology (Shenzhen) Company Limited** (CN)

(57) **CLAIM**

The ornamental design for an portion of a display screen with animated graphical user interface, as shown and described.

(**) Term: **14 Years**

DESCRIPTION

(21) Appl. No.: **29/494,113**

FIG. 1 is a front view of a first image of a first embodiment of a portion of a display screen with animated graphical user interface showing our new design;

(22) Filed: **Jun. 17, 2014**

FIG. 2 is a front view of a second image thereof;

(51) **LOC (10) Cl.** **14-04**

FIG. 3 is a front view of a third image thereof;

(52) **U.S. Cl.**
USPC **D14/487**

FIG. 4 is a front view of a fourth image thereof;

(58) **Field of Classification Search**
USPC D14/485–488
CPC G10H 1/0008
See application file for complete search history.

FIG. 5 is a front view of a first image of a second embodiment of a portion of a display screen with animated graphical user interface showing our new design;

(56) **References Cited**

U.S. PATENT DOCUMENTS

5,824,933 A * 10/1998 Gabriel G10H 1/0008
84/609
D602,942 S * 10/2009 Bennett D14/485

FIG. 6 is a front view of a second image thereof;

FIG. 7 is a front view of a third image thereof; and,

FIG. 8 is a front view of a fourth image thereof.

In the first embodiment, the appearance of the transitional image sequentially transitions between the images shown in FIGS. 1 through 4. In the second embodiment, the appearance of the transitional image sequentially transitions between the images shown in FIGS. 5 through 8. The process or period in which one image transitions to another image forms no part of the claimed design.

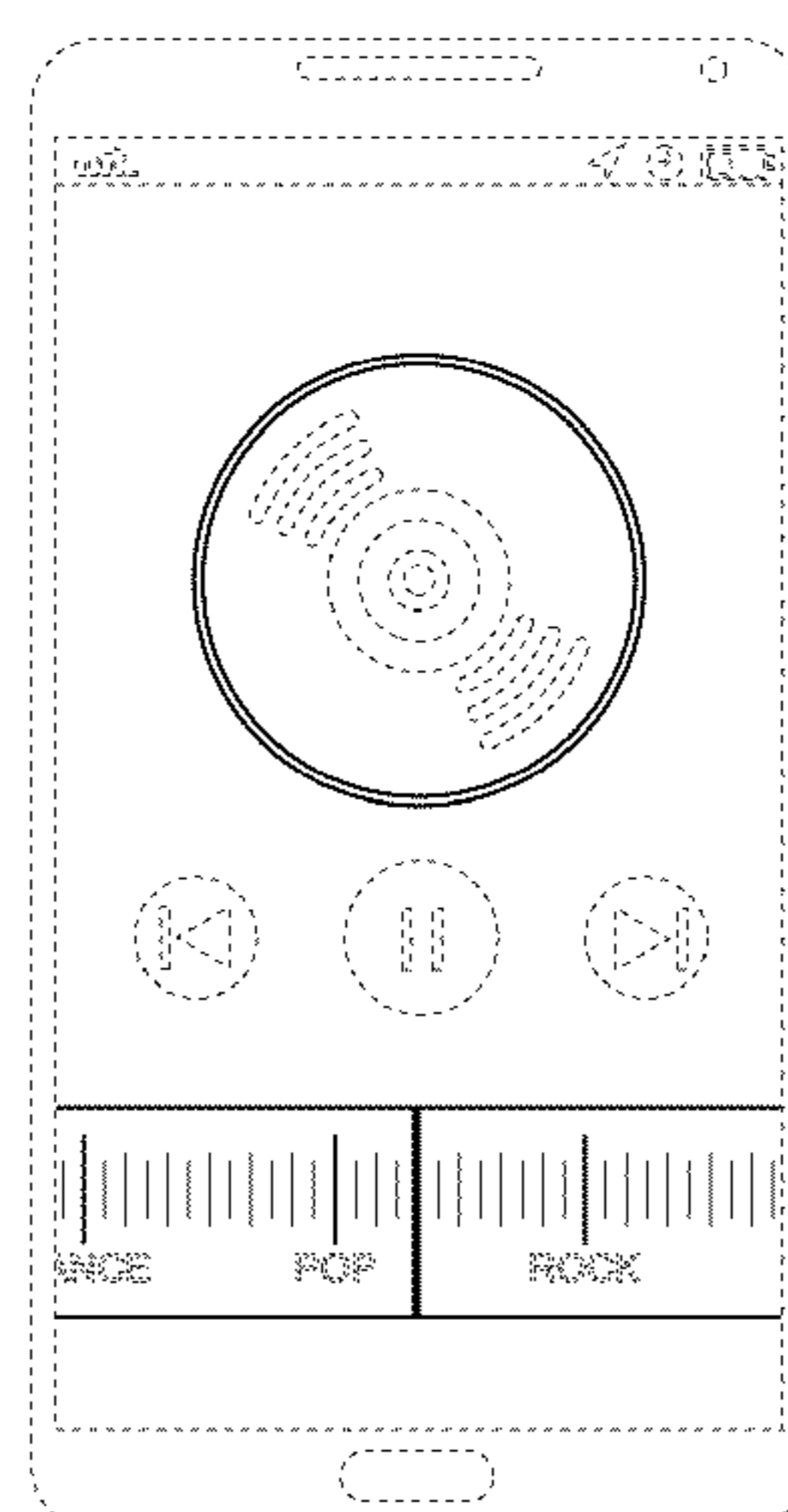
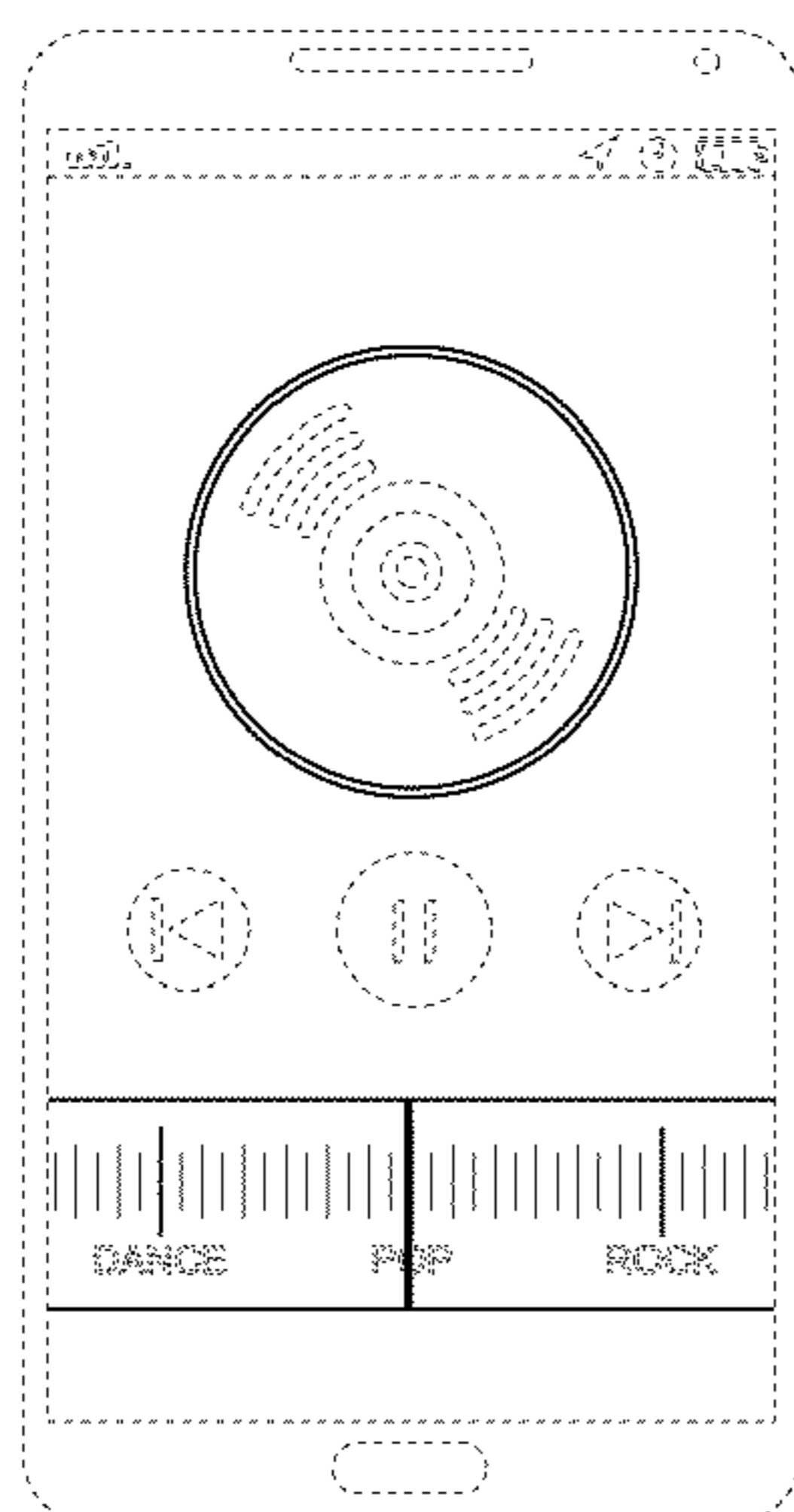
(Continued)

OTHER PUBLICATIONS

Nugrahanto, Pradipta, [Review] JOOX Music, Alternative Complete Package for Streaming Music, translated by Google, see p. 11 in attached PDF, posted at Tech in Asia, posted on Nov. 17, 2015, © 2015 Tech in Asia Indonesia. [online], [site visited Nov. 25, 2015].

The outer broken line rectangle showing of a mobile device and features of a mobile device are included for the purpose of illustrating environmental structure, the inner broken line rectangle showing of a display screen and all other broken lines showing portions of the graphical user interface are included for the purpose of illustrating portions of the article; broken lines form no part of the claimed design.

1 Claim, 8 Drawing Sheets



(56)

References Cited

U.S. PATENT DOCUMENTS

D677,680 S * 3/2013 Edwards D14/485
 D682,850 S * 5/2013 Del Pasqua D14/485
 D690,720 S * 10/2013 Waldman D14/485
 D697,074 S * 1/2014 Waldman D14/485
 D701,226 S * 3/2014 Jung D14/486
 D733,169 S * 6/2015 Jeong D14/486
 D733,745 S * 7/2015 Huang D14/487
 D734,773 S * 7/2015 Barbato D14/486
 D738,244 S * 9/2015 Shallice D10/81
 D741,879 S * 10/2015 Chapman D14/486
 D741,882 S * 10/2015 Shmilov D14/486
 D742,909 S * 11/2015 Lee D14/486
 2002/0007717 A1 * 1/2002 Uehara G10H 1/0008
 84/600
 2007/0024594 A1 * 2/2007 Sakata G06F 3/0488
 345/173
 2007/0168425 A1 * 7/2007 Morotomi H04M 1/72522
 709/204
 2009/0223348 A1 * 9/2009 Lemons G10H 1/0008
 84/483.2
 2010/0064255 A1 * 3/2010 Rottler G06F 3/0488
 715/821
 2010/0229094 A1 * 9/2010 Nakajima G10H 1/0008
 715/727

2010/0289756 A1 * 11/2010 Anzures G06F 3/0346
 345/173
 2011/0283188 A1 * 11/2011 Farrenkopf G06F 3/0488
 715/702
 2013/0067328 A1 * 3/2013 Salyards G06F 17/30769
 715/716
 2013/0218315 A1 * 8/2013 Jaeger G06F 9/4446
 700/94
 2015/0095777 A1 * 4/2015 Lim H04L 67/02
 715/716

OTHER PUBLICATIONS

F, Alan, Samsung Galaxy S III mini supports Milk Music after updated to app, posted at Phone Arena, posted on May 21, 2014. © 2001-2015 phoneArena.com. [online], [site visited Nov. 25, 2015]. Available from Internet, <URL:http://www.phonearena.com/news/SamsungGalaxySIIIminisupportsMilkMusicafterupdatetoapp_id56365>.*
 Kozhanov, Andrey. Nokia N9 FM Radio. N9 Apps, copyright 2013 (Retrieved from the Internet Nov. 13, 2015). Internet URL:<http://n9-apps.com/nokia-n9-fm-radio>.*
 Lee Joung Mi, Mobile Communication Terminal, available at Orbit.com, Serial No. KR300701584, published Jul. 16, 2013.*

* cited by examiner

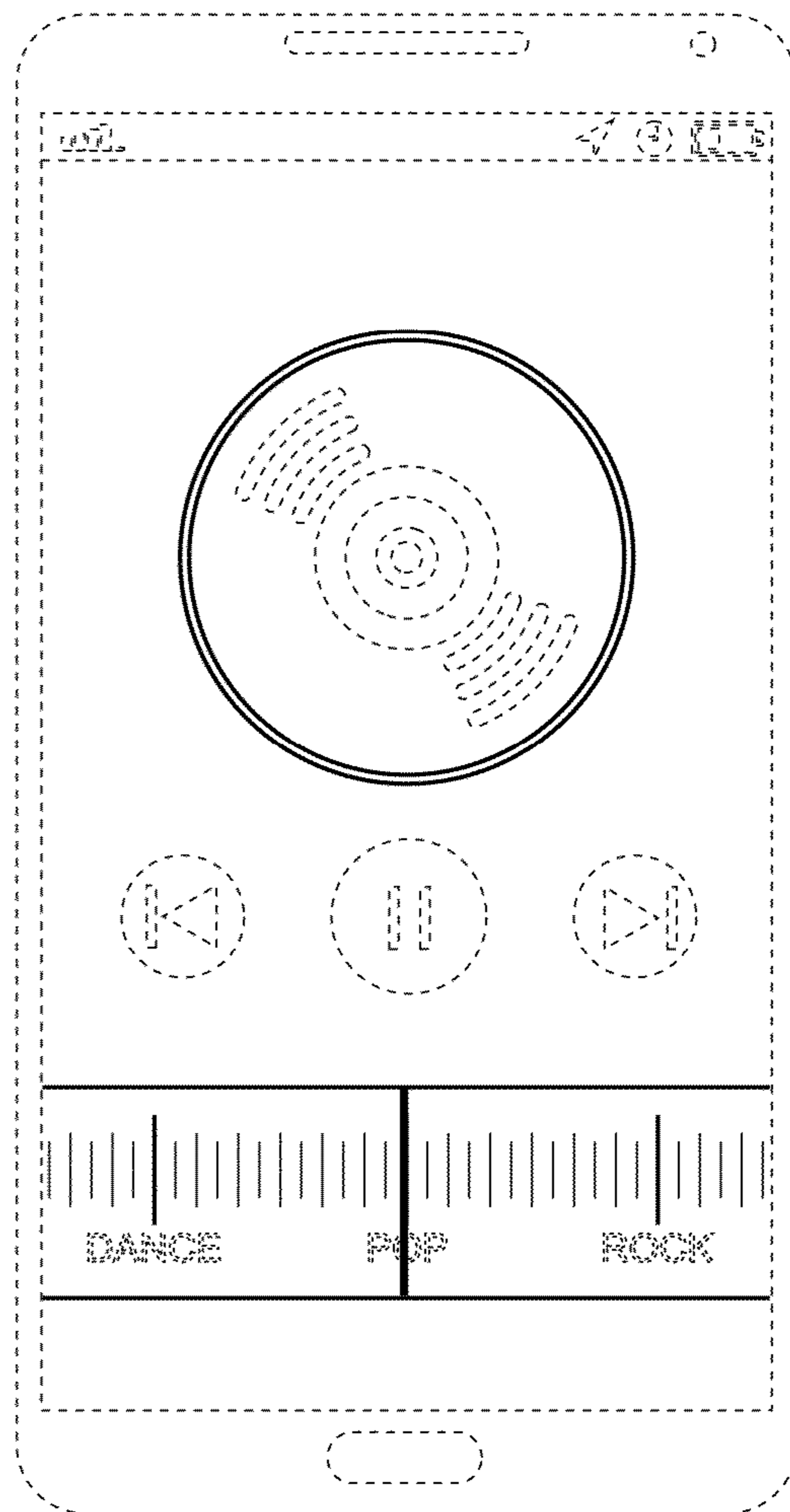


FIG. 1

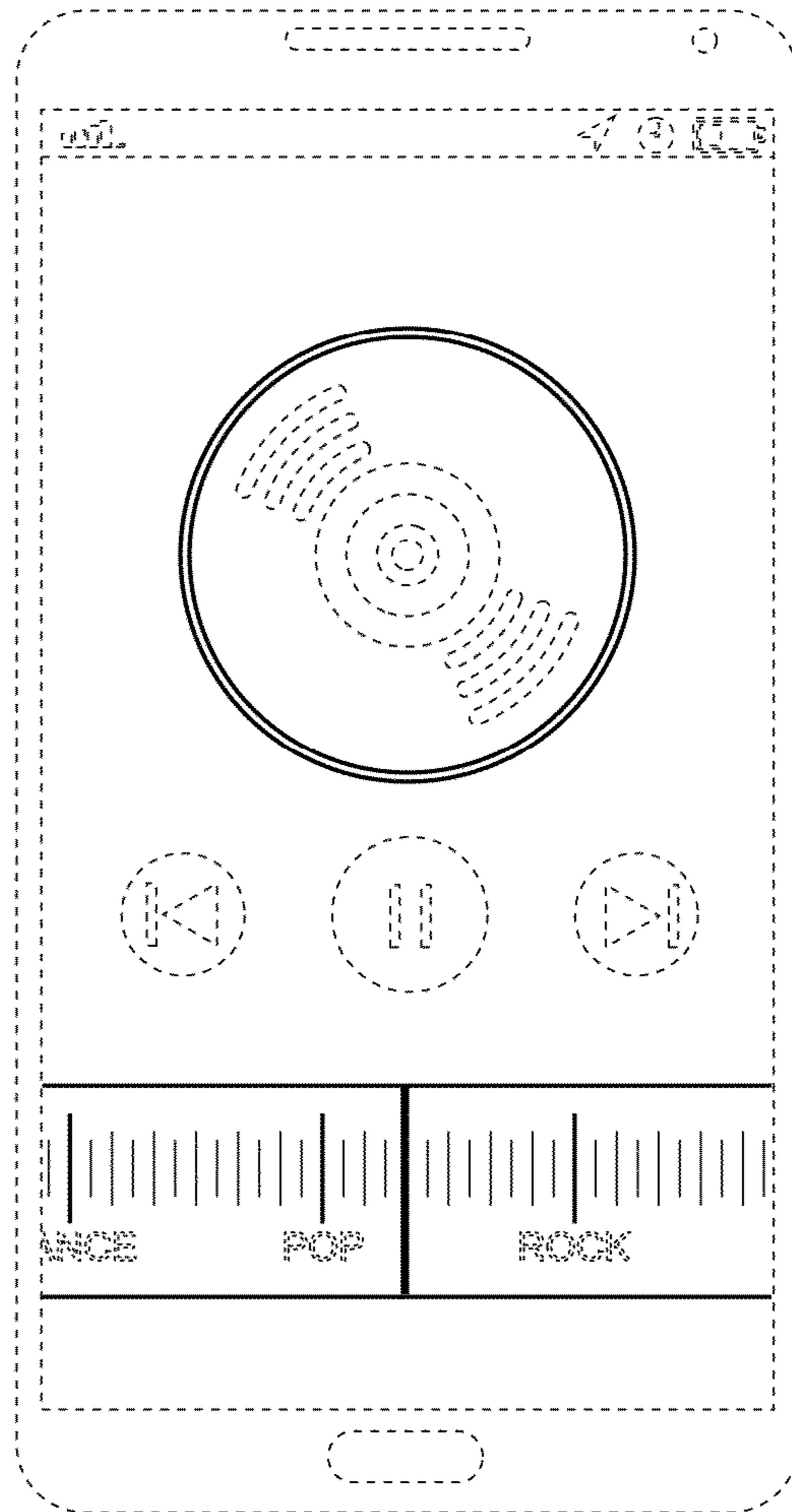


FIG. 2

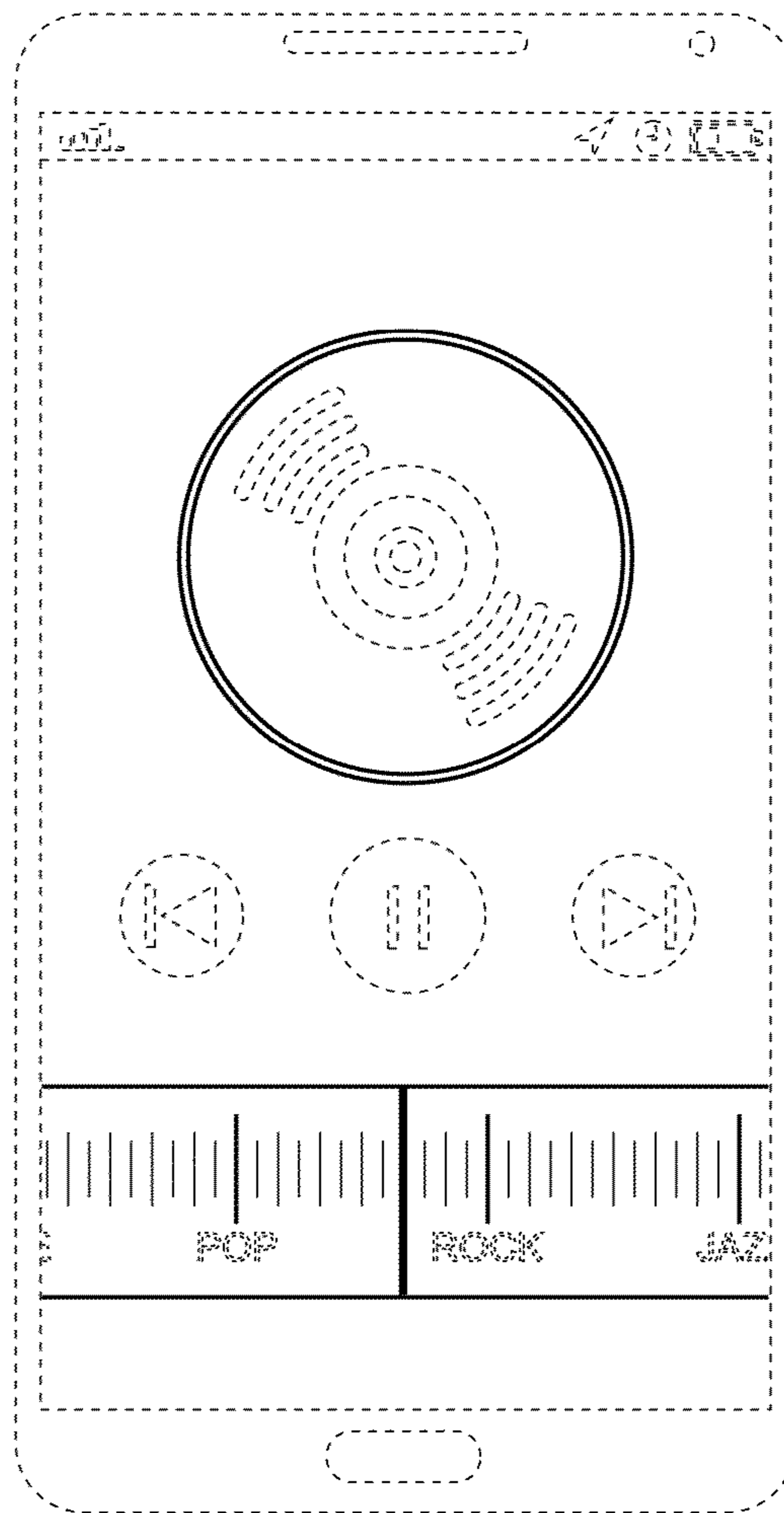


FIG. 3

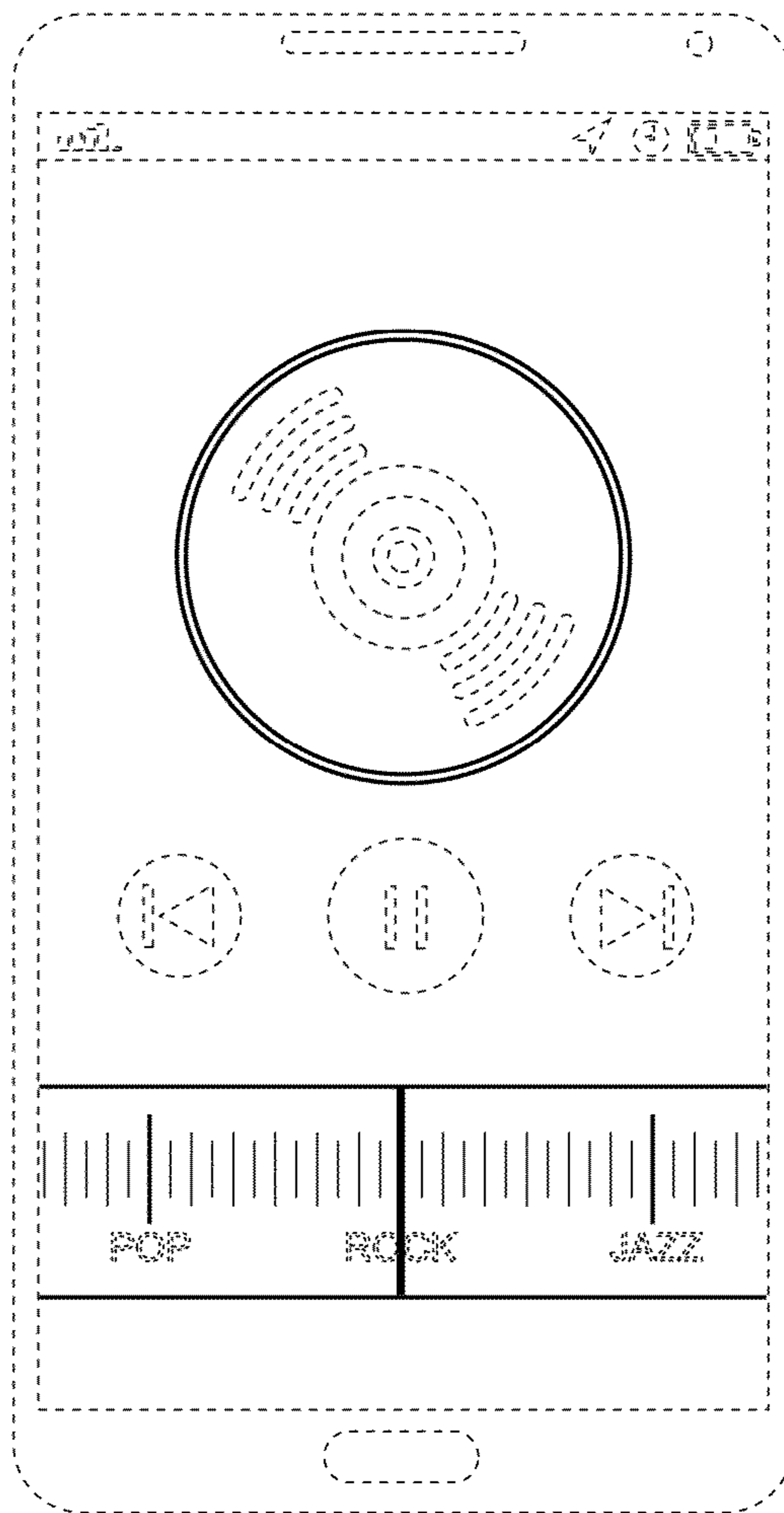


FIG. 4

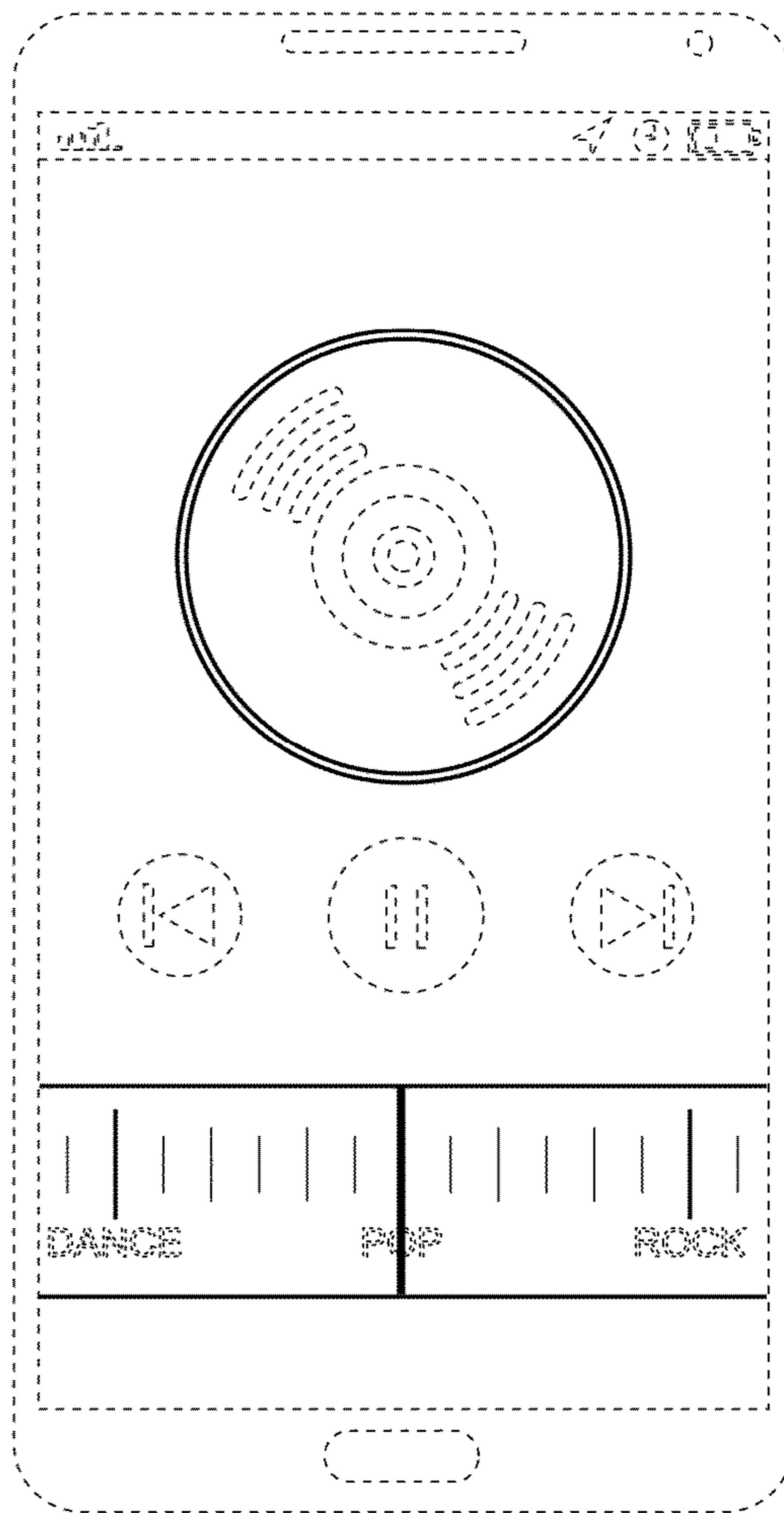


FIG. 5

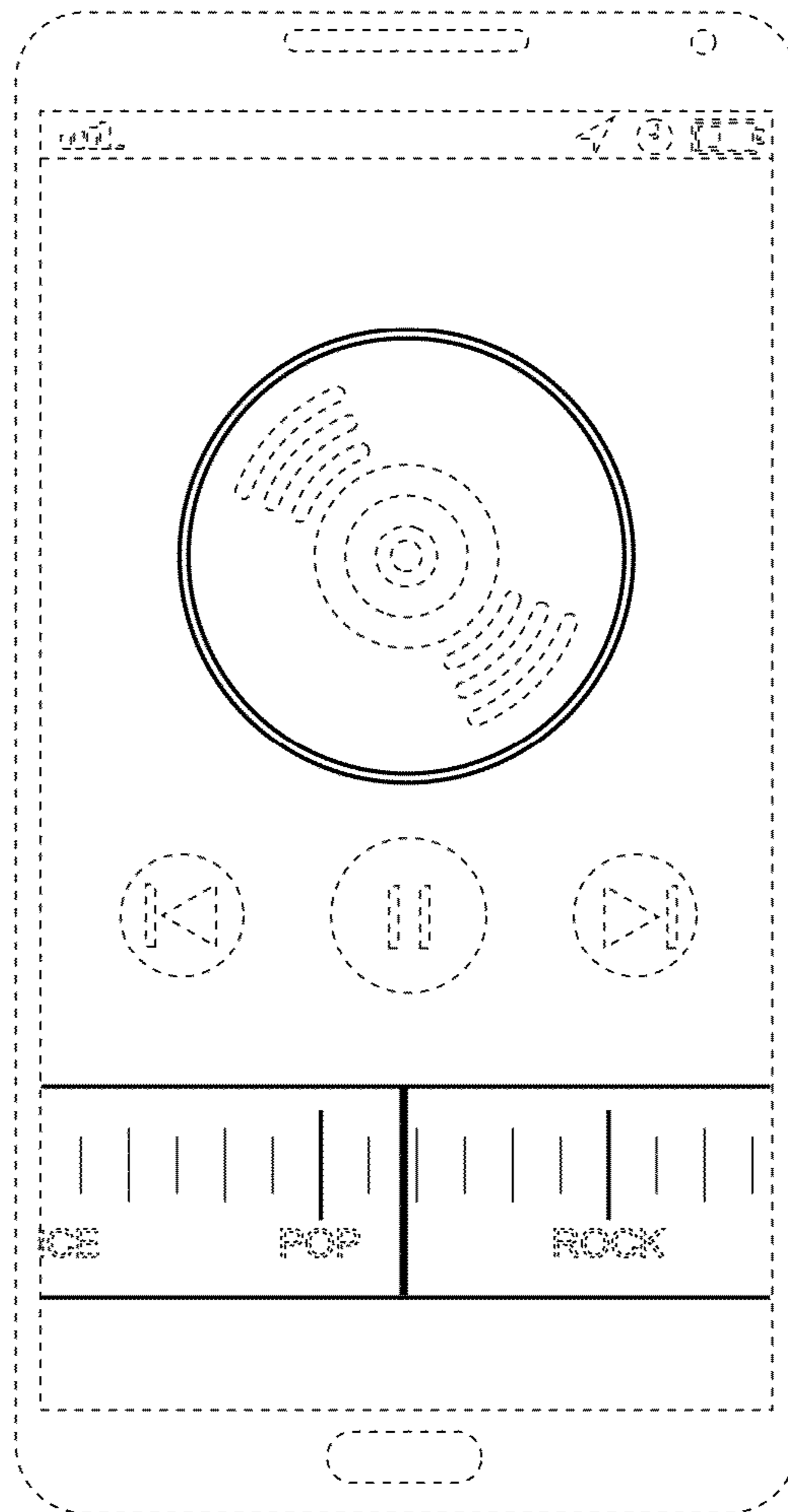


FIG. 6

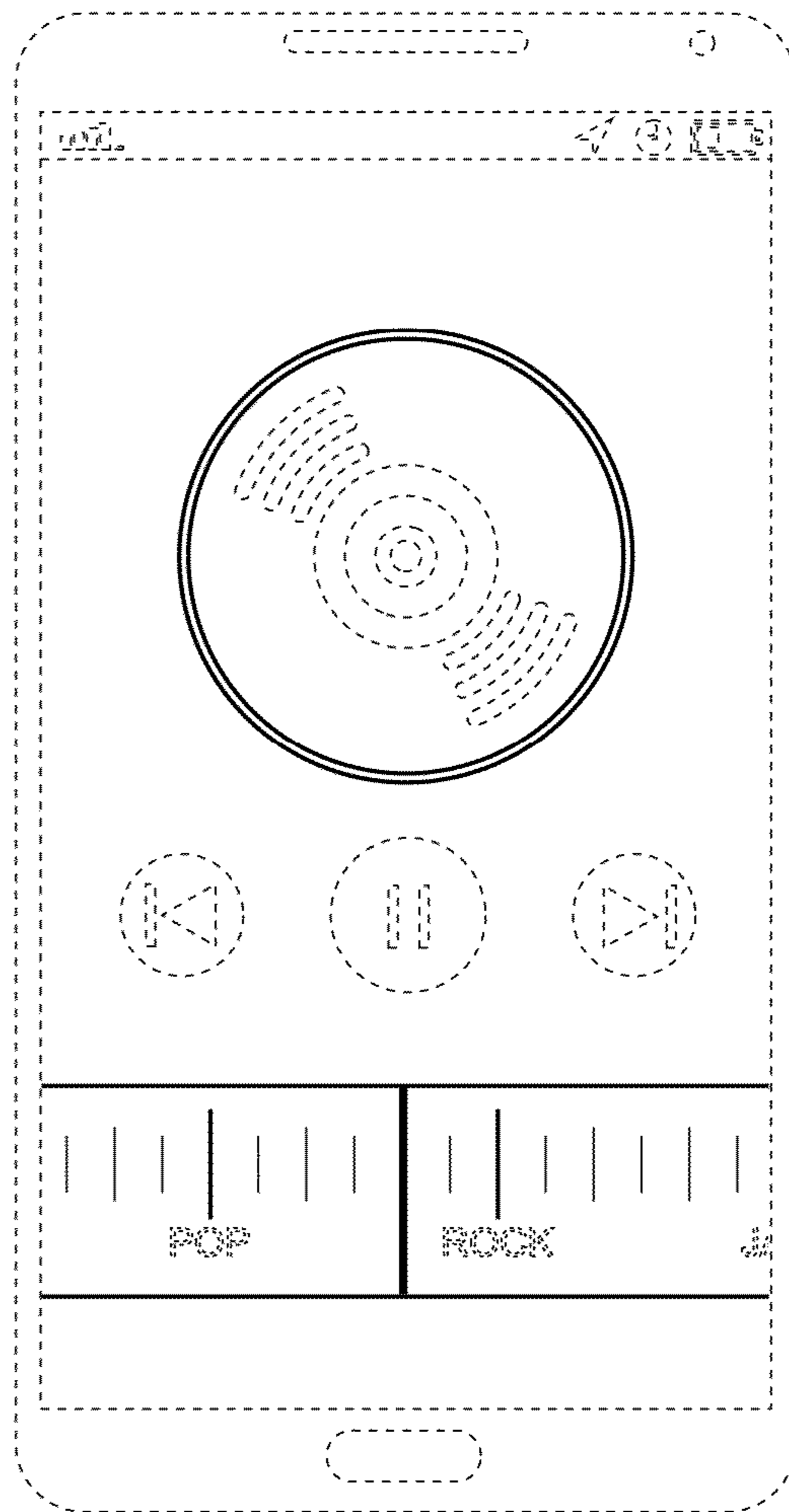


FIG. 7

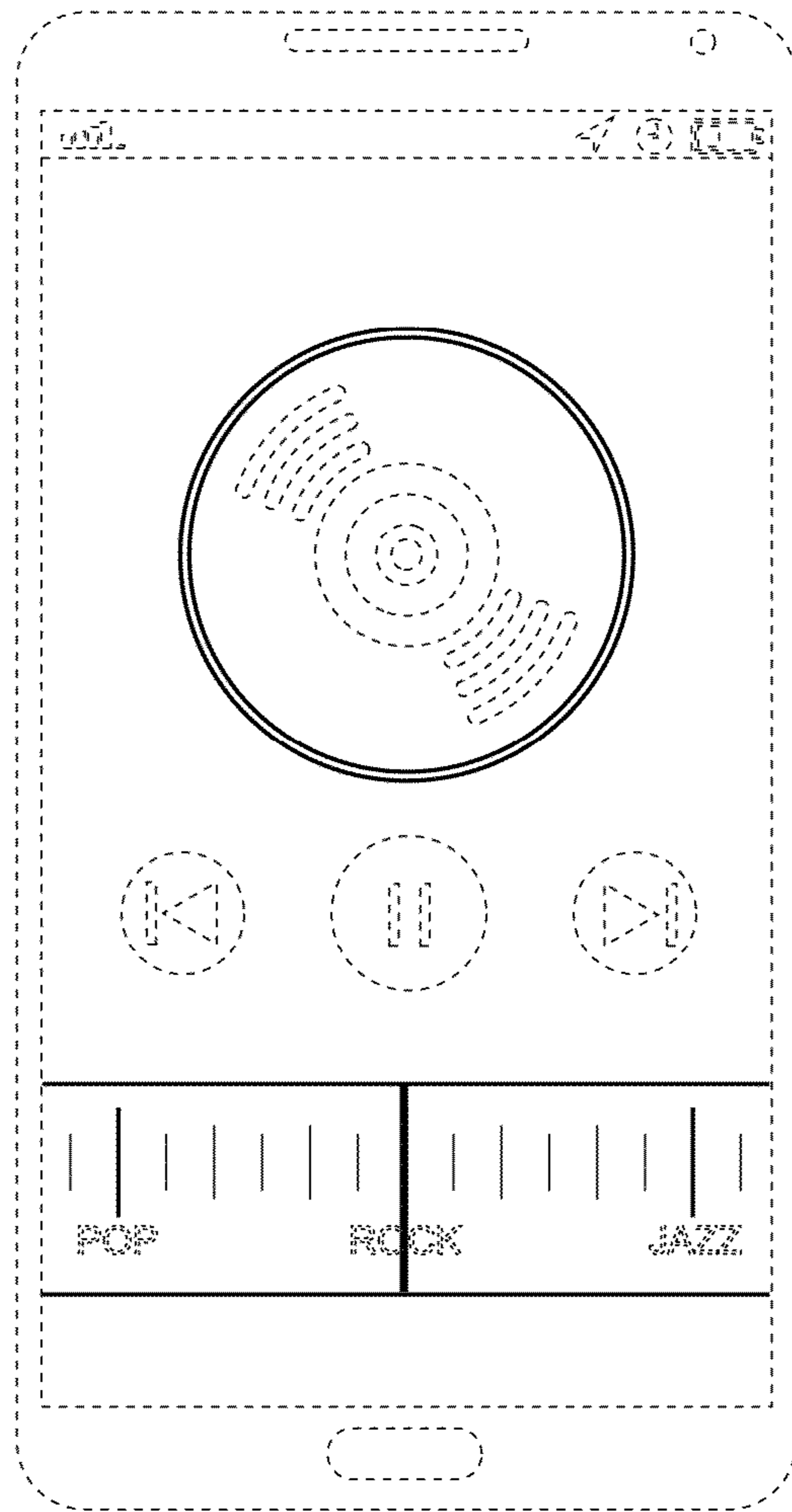


FIG. 8