



US00D754669S

(12) **United States Design Patent**
Jacobs et al.

(10) **Patent No.:** **US D754,669 S**
(45) **Date of Patent:** **** Apr. 26, 2016**

(54) **COMBINED LEVELLING MOUNTING
BRACKET AND MOUNTING PLATE**

(71) Applicant: **Zenovia Electronics Inc.**, St. Albert
(CA)

(72) Inventors: **Logan Daniel Jacobs**, St. Albert (CA);
Darrick John Wilson, Edmonton (CA)

(73) Assignee: **ZENOVIA ELECTRONICS INC.**,
Acheson, AB

(**) Term: **14 Years**

(21) Appl. No.: **29/441,065**

(22) Filed: **Dec. 31, 2012**

Related U.S. Application Data

(63) Continuation of application No. 13/594,485, filed on
Aug. 24, 2012.

(51) **LOC (10) Cl.** **08-07**

(52) **U.S. Cl.**
USPC **D14/452**

(58) **Field of Classification Search**
USPC D14/452, 451, 388–390, 341, 383, 374,
D14/381, 371, 129, 456, 238; 381/191;
D8/354, 373, 380, 394; 248/278.1;
D13/152; D12/10, 125–126, 223
See application file for complete search history.

(56) **References Cited**

U.S. PATENT DOCUMENTS

D289,140 S * 4/1987 Fischer et al. D8/373
D371,506 S * 7/1996 Nofziger D8/354
D378,748 S * 4/1997 Miller D12/223

D480,948 S * 10/2003 Patrizzi et al. D8/373
D553,483 S * 10/2007 Grey D8/380
D581,912 S * 12/2008 Blair, Jr. D14/238
D612,224 S * 3/2010 Wendt D8/354
D626,406 S * 11/2010 Tedesco et al. D8/394
D627,787 S * 11/2010 Grey et al. D14/452
D631,735 S * 2/2011 Johnson D8/380
D637,897 S * 5/2011 Tedesco et al. D8/394
D701,173 S * 3/2014 Gagne et al. D13/152
D705,229 S * 5/2014 Wengreen et al. D14/434
D715,276 S * 10/2014 Davis et al. D14/239
2008/0006751 A1 * 1/2008 Chen et al. 248/278.1

* cited by examiner

Primary Examiner — Barbara Fox

Assistant Examiner — Katie Mroczka

(74) *Attorney, Agent, or Firm* — Miller Thomson LLP; Tai
W. Nahm

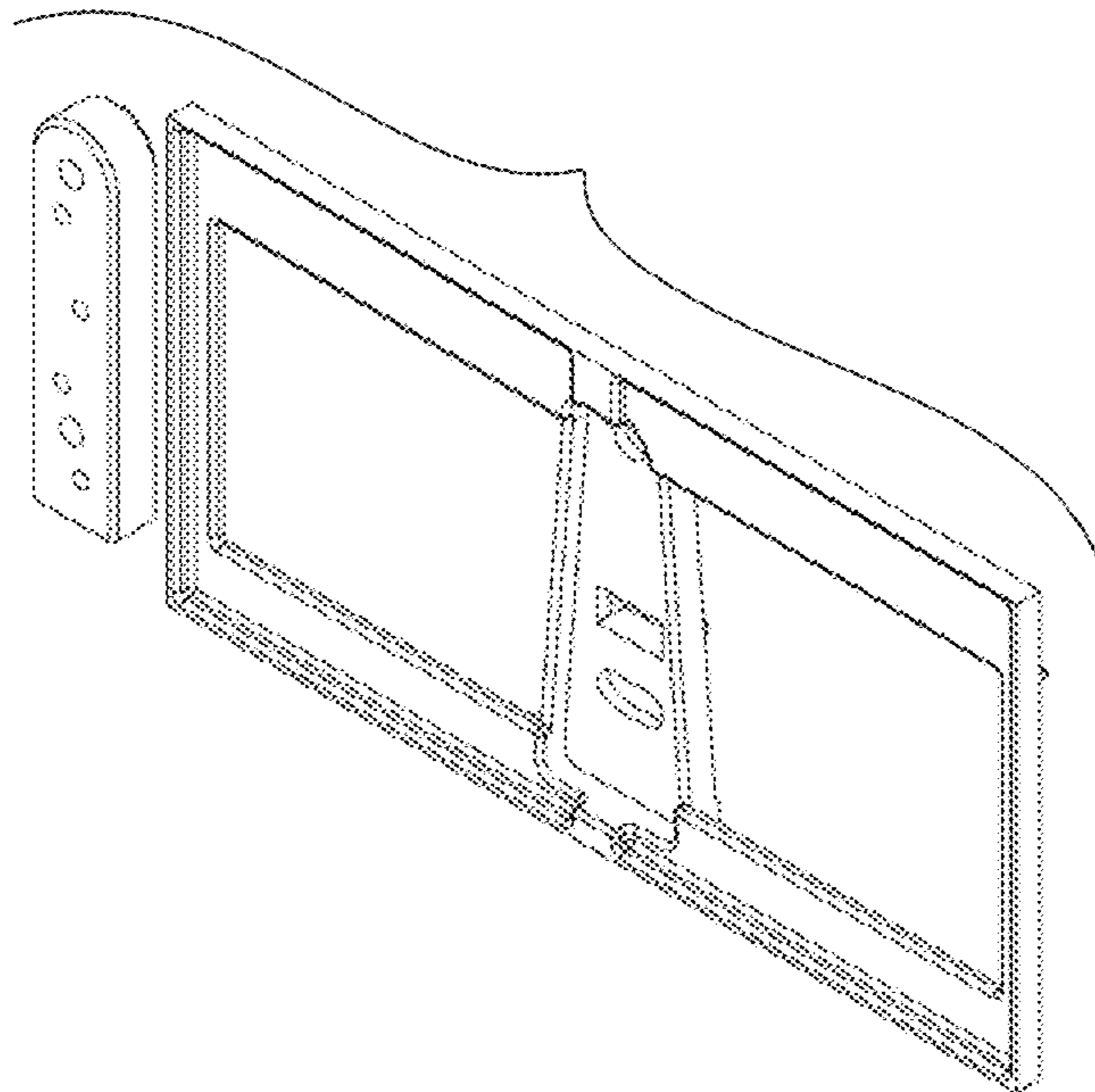
(57) **CLAIM**

The ornamental design for combined levelling mounting
bracket and mounting plate, as shown and described.

DESCRIPTION

FIG. 1 illustrates a rear perspective view of a combined lev-
elling mounting bracket and mounting plate.
FIG. 2 illustrates a front perspective view thereof.
FIG. 3 illustrates a top view thereof.
FIG. 4 illustrates a front view thereof.
FIG. 5 illustrates a rear view thereof.
FIG. 6 illustrates a bottom view thereof.
FIG. 7 illustrates a right side view thereof; and,
FIG. 8 illustrates a left side view thereof.
The broken lines in the drawings illustrate portions of the
combined levelling mounting bracket and mounting plate
which form no part of the claimed design.

1 Claim, 4 Drawing Sheets



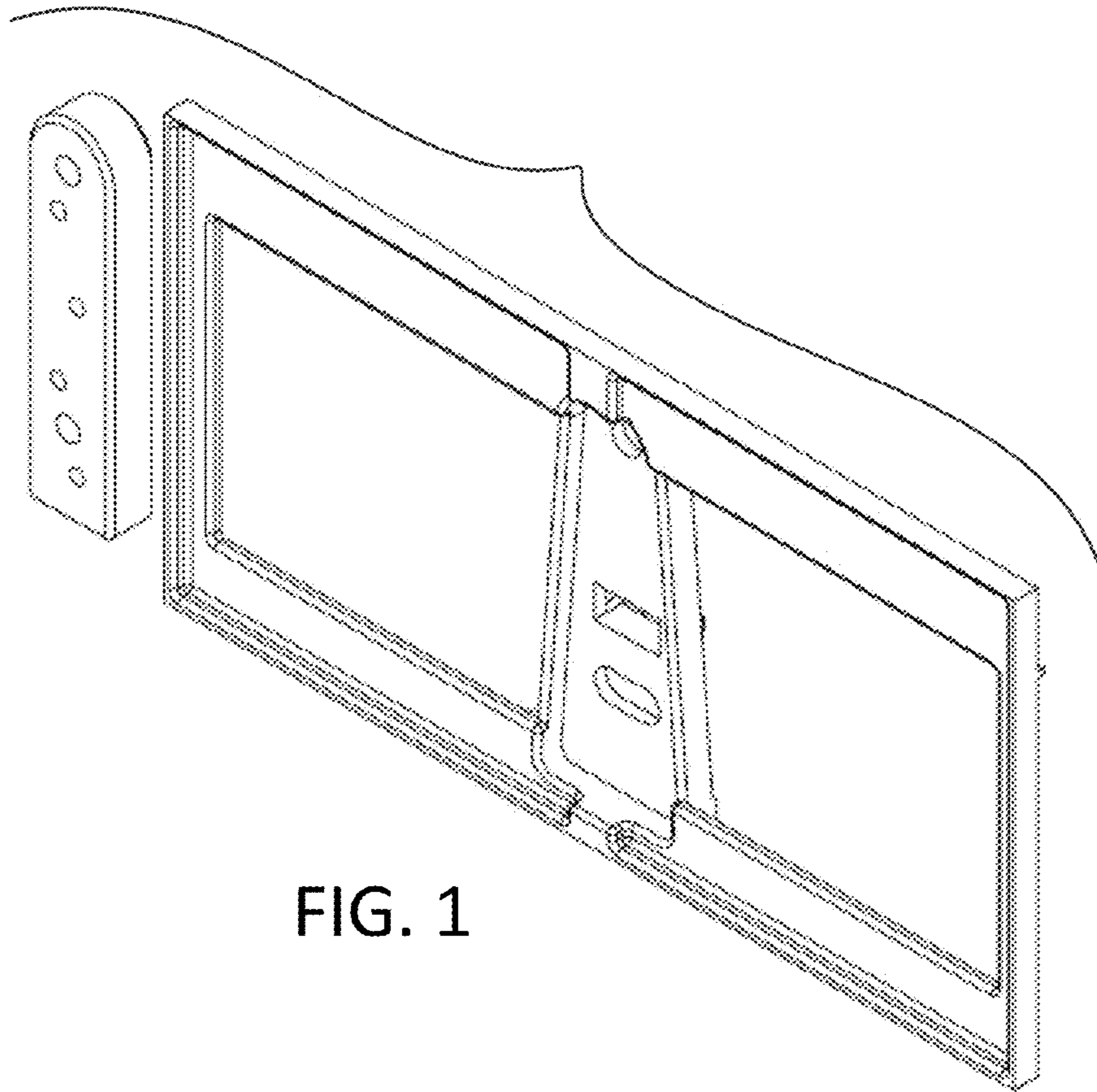


FIG. 1

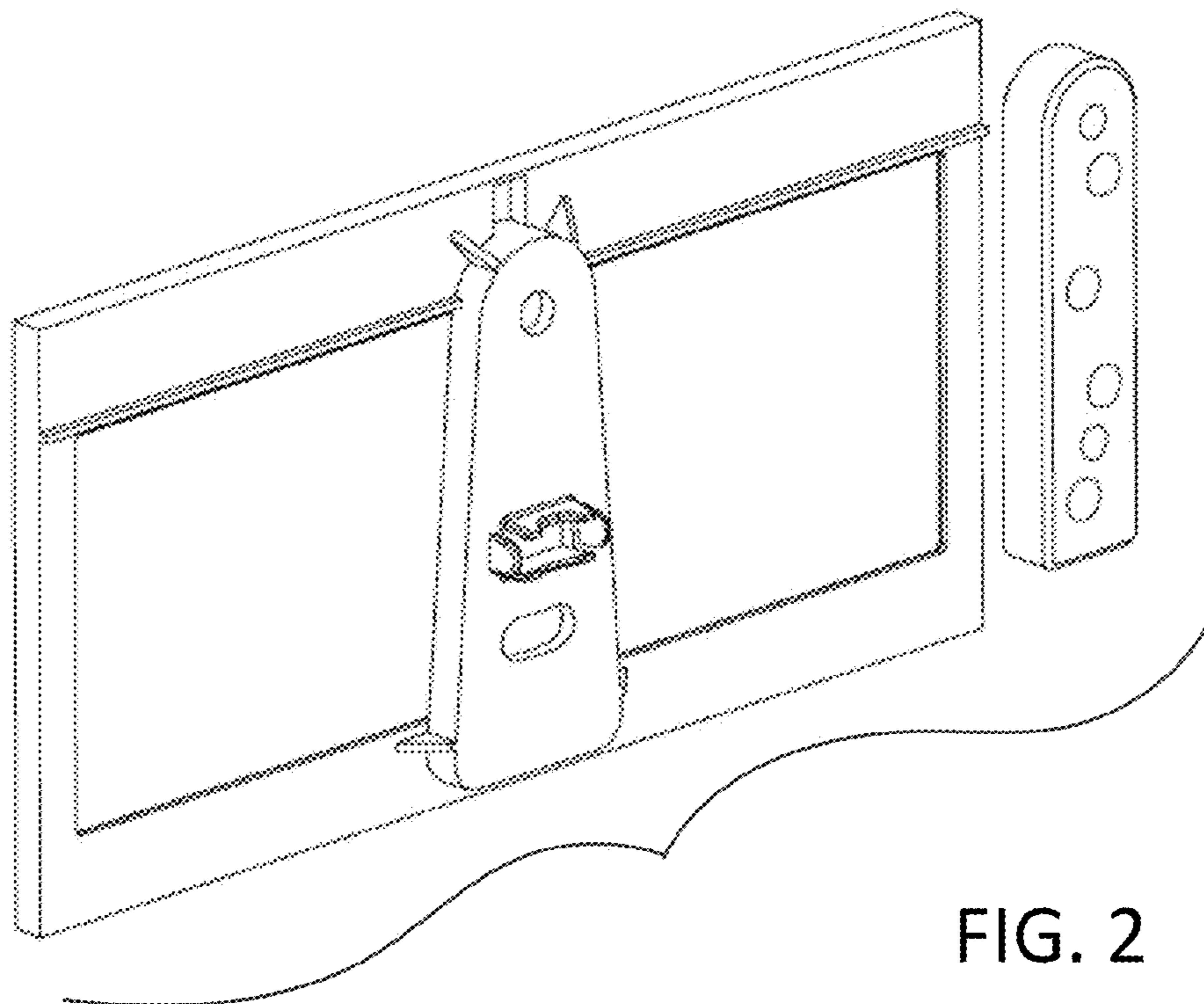


FIG. 2

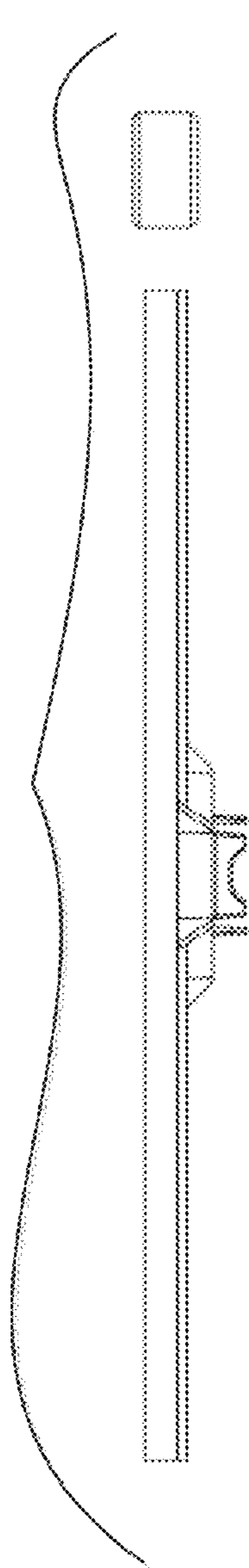


FIG. 3

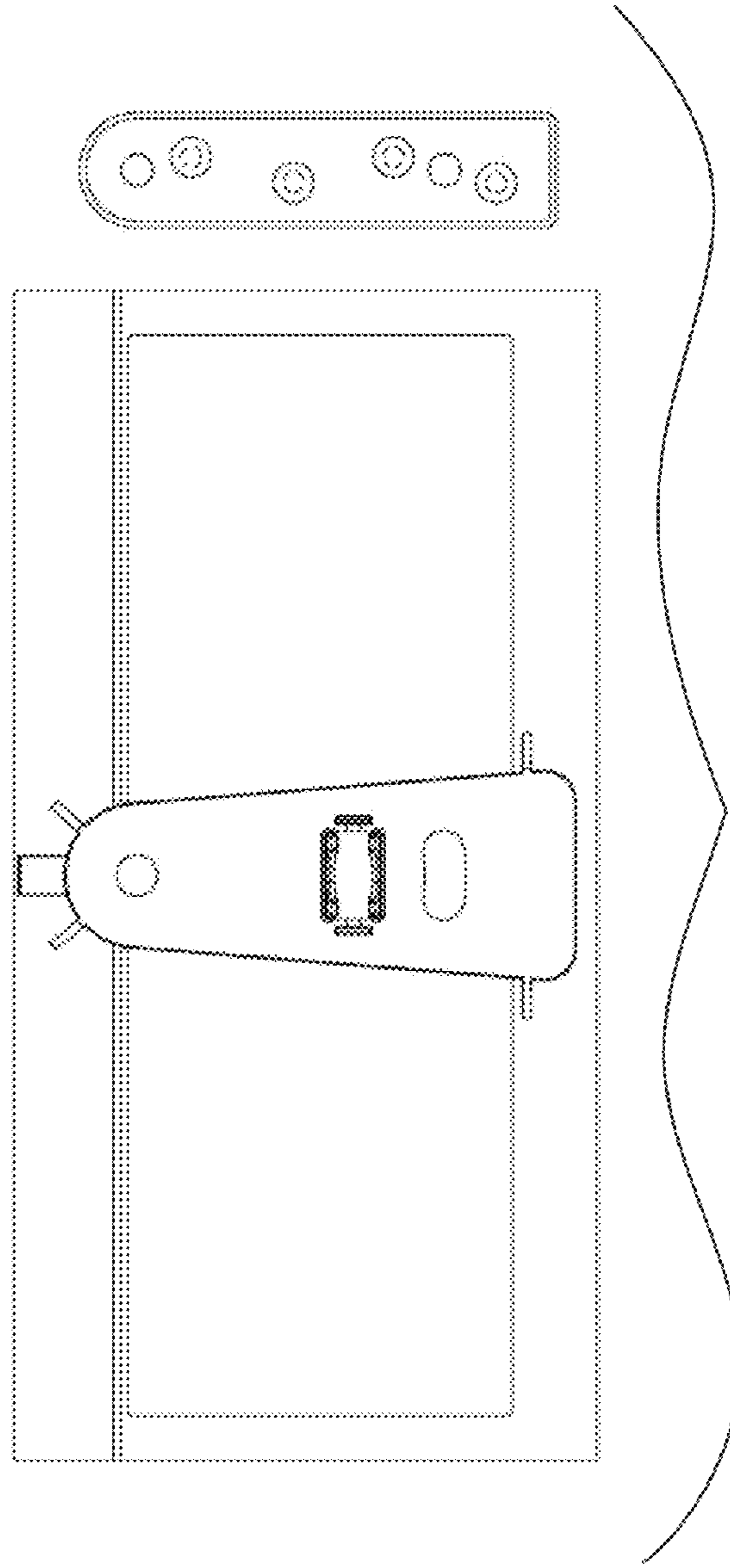


FIG. 4

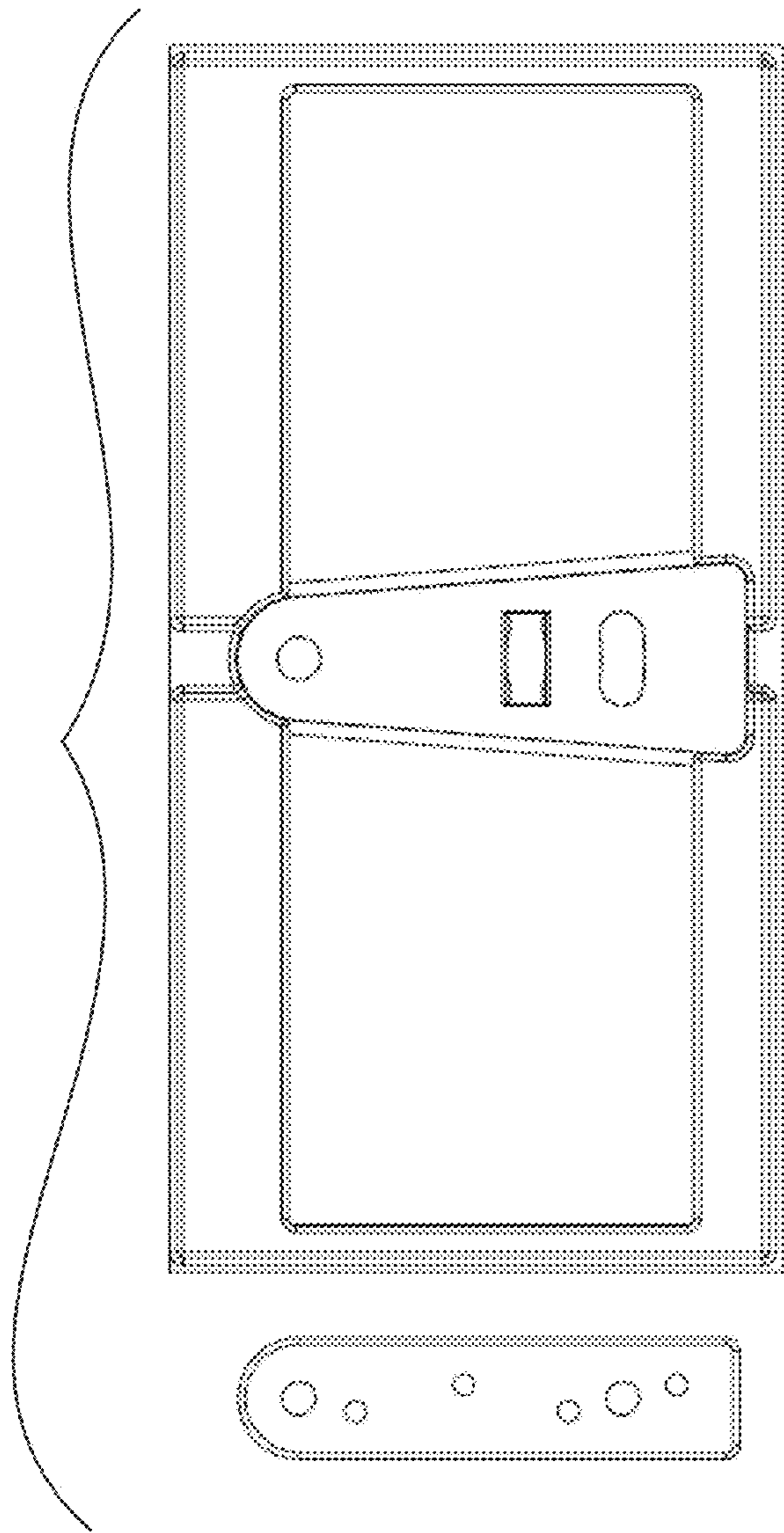


FIG. 5

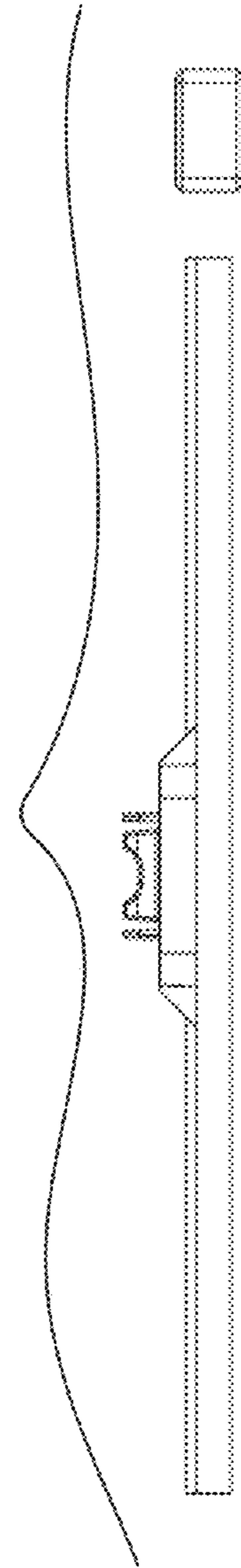


FIG. 6

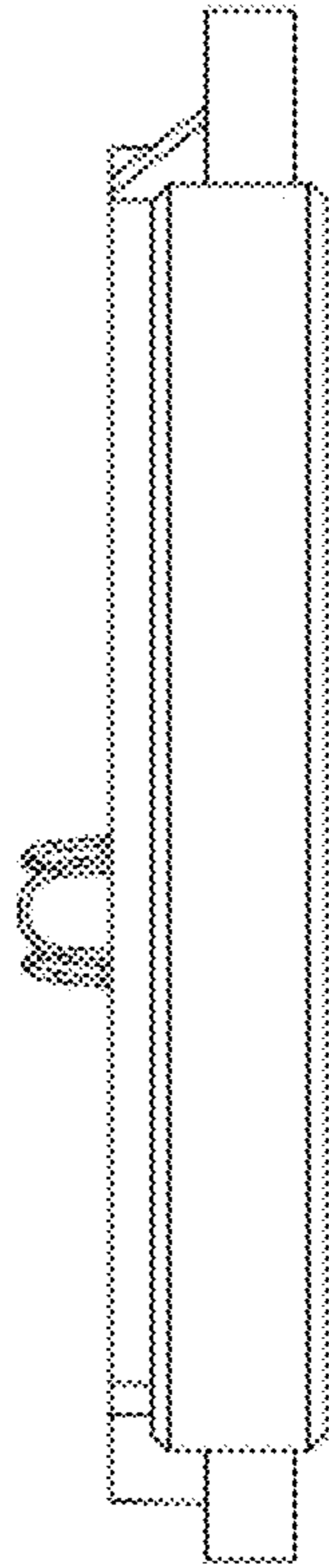


FIG. 7

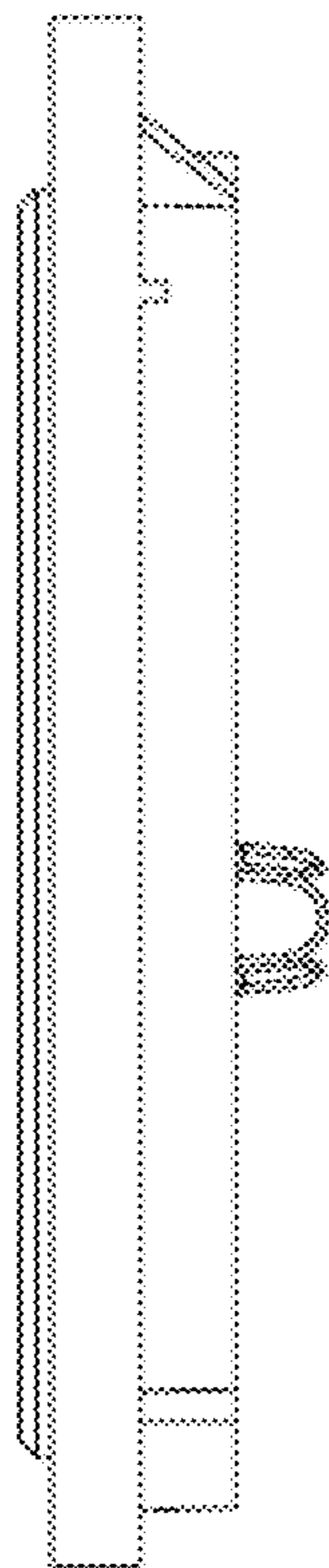


FIG. 8