



US00D754667S

(12) **United States Design Patent**
Kwon et al.

(10) **Patent No.:** **US D754,667 S**
(45) **Date of Patent:** **** Apr. 26, 2016**

(54) **FACEPLATE FOR A SERVER**

(56) **References Cited**

(71) Applicant: **Western Digital Technologies, Inc.**,
Irvine, CA (US)

(72) Inventors: **Tom H. Kwon**, Santa Ana, CA (US);
Steven T. Peng, Irvine, CA (US)

(73) Assignee: **Western Digital Technologies, Inc.**,
Irvine, CA (US)

(**) Term: **14 Years**

(21) Appl. No.: **29/514,572**

(22) Filed: **Jan. 14, 2015**

U.S. PATENT DOCUMENTS

| | | | |
|---------------|---------|----------------------|--------------------------|
| D396,031 S | 7/1998 | Chiodo et al. | |
| 6,088,224 A * | 7/2000 | Gallagher | G06F 1/184 165/104.33 |
| D428,892 S * | 8/2000 | Haimson | D14/441 |
| D477,826 S * | 7/2003 | Crisp | D14/444 |
| D511,521 S | 11/2005 | Schmidt et al. | |
| D535,298 S | 1/2007 | Cochrane | |
| D536,674 S * | 2/2007 | Millar | D13/184 |
| D545,823 S * | 7/2007 | Cornelius, III | D14/441 |
| D550,576 S * | 9/2007 | Millar | D10/121 |
| D564,510 S * | 3/2008 | Cox | D14/313 |
| D580,443 S * | 11/2008 | Saylor | D14/441 |
| D583,383 S * | 12/2008 | Saylor | D14/441 |
| D585,440 S | 1/2009 | Alfonso et al. | |
| D585,441 S * | 1/2009 | Alfonso | D14/313 |
| D621,282 S | 8/2010 | Yagi | |

(Continued)

OTHER PUBLICATIONS

Notice of Allowance dated from U.S. Appl. No. 29/458,601, 8 pages.

Primary Examiner — Freda S Nunn

(57) **CLAIM**

The ornamental design for a faceplate for a server, as shown and described.

DESCRIPTION

FIG. 1 is a top, front and side perspective view of a faceplate for a server embodying the new design.

FIG. 2 is a top view thereof.

FIG. 3 is a bottom view thereof.

FIG. 4 is a front view thereof.

FIG. 5 is a back view thereof.

FIG. 6 is a first side view thereof; and,

FIG. 7 is a second side view thereof.

Broken lines are used to illustrate features of the faceplate for a server which form no part of the claimed design. In the figures the faceplate for a server is shown attached to a server to represent environment which forms no part of the claimed design.

Related U.S. Application Data

(62) Division of application No. 29/458,601, filed on Jun. 20, 2013, now Pat. No. Des. 722,060.

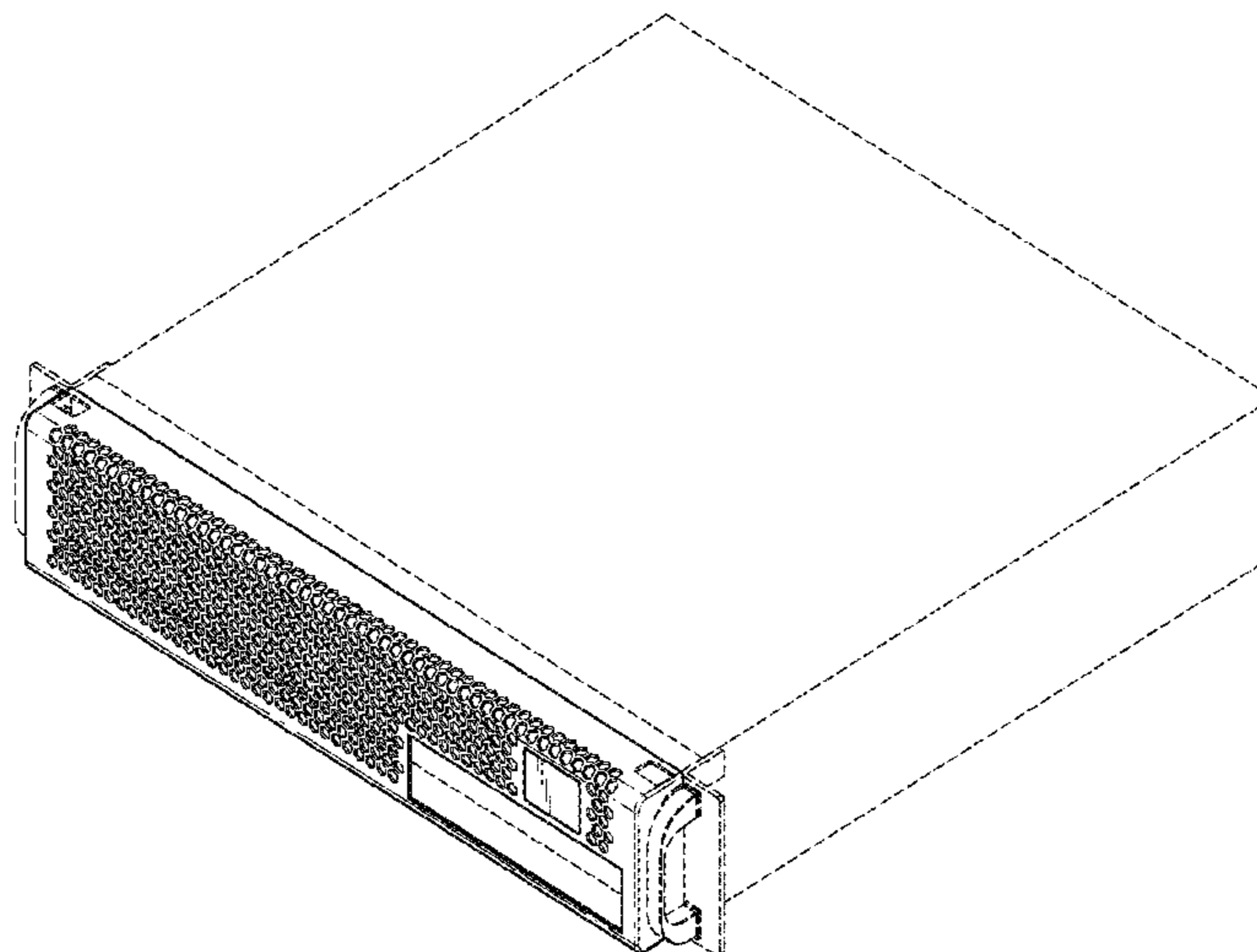
(51) **LOC (10) Cl.** **14-02**

(52) **U.S. Cl.**
USPC **D14/445**

(58) **Field of Classification Search**

USPC D14/240, 300, 301, 308, 313, 314,
D14/348-356, 364-368, 441-446, 188;
D13/123, 158, 162, 184, 199;
312/223.1-223.3, 351.11;
360/99.01-99.12; 369/34.01-36.01;
361/679.31-679.33, 679.37, 679.39,
361/679.46, 679.53, 679.4, 679.41, 727
CPC G06F 1/20; G06F 1/181; G06F 1/187;
G06F 1/183; G06F 1/184; H05K 7/16; H05K
7/1424; H05K 7/1409; H05K 7/20; H05K
7/20545; H05K 7/20727; H05H 7/20; G11B
33/126; G11B 33/128
See application file for complete search history.

1 Claim, 5 Drawing Sheets



(56)

References Cited

U.S. PATENT DOCUMENTS

D643,434 S 8/2011 Grady et al.
D647,521 S 10/2011 Takeda et al.
D707,667 S 6/2014 Kono et al.

D720,357 S 12/2014 Kwon et al.
D722,060 S 2/2015 Kwon et al.
2002/0017838 A1* 2/2002 Roesner G06F 1/184
312/223.1

* cited by examiner

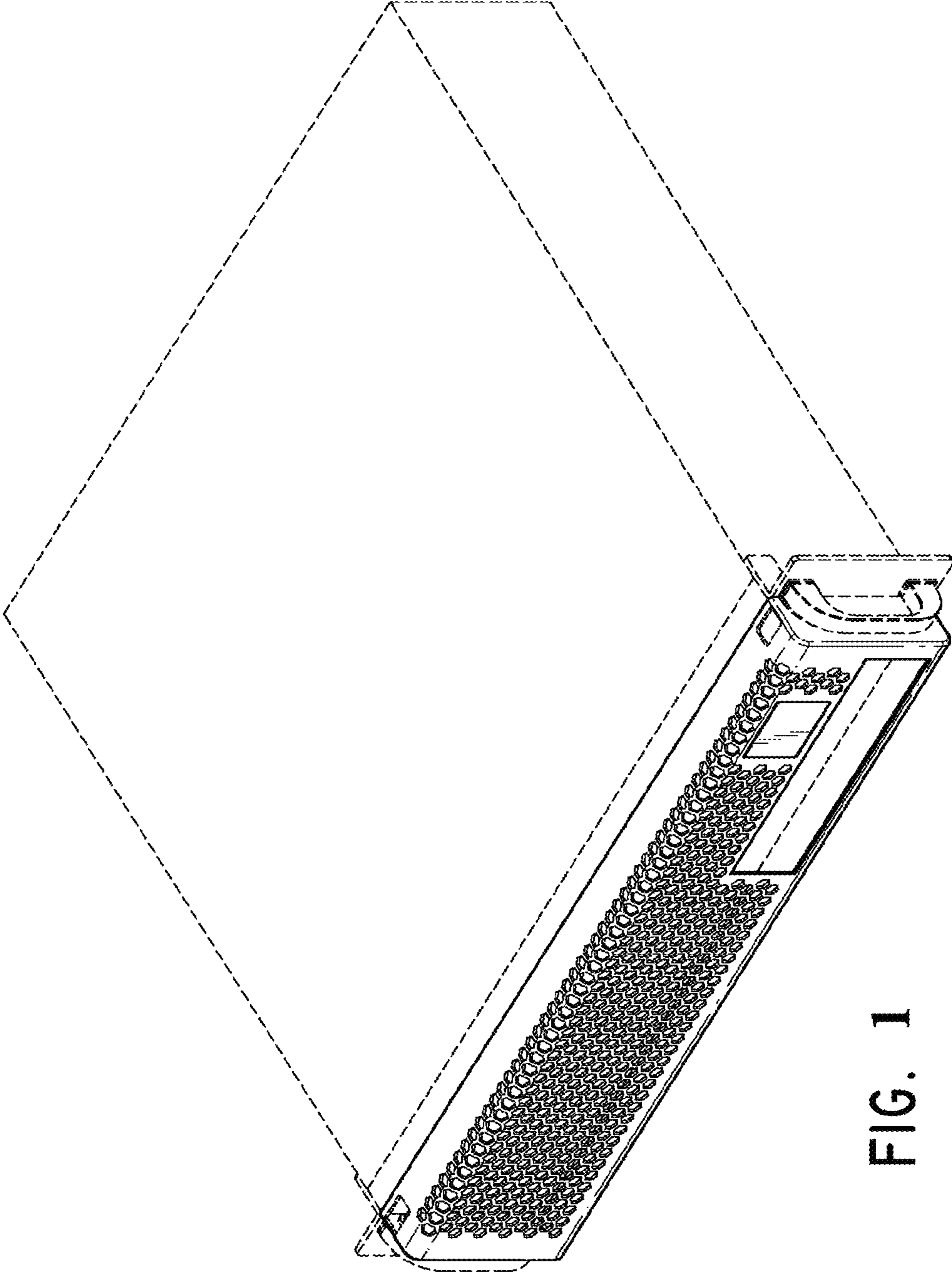


FIG. 1

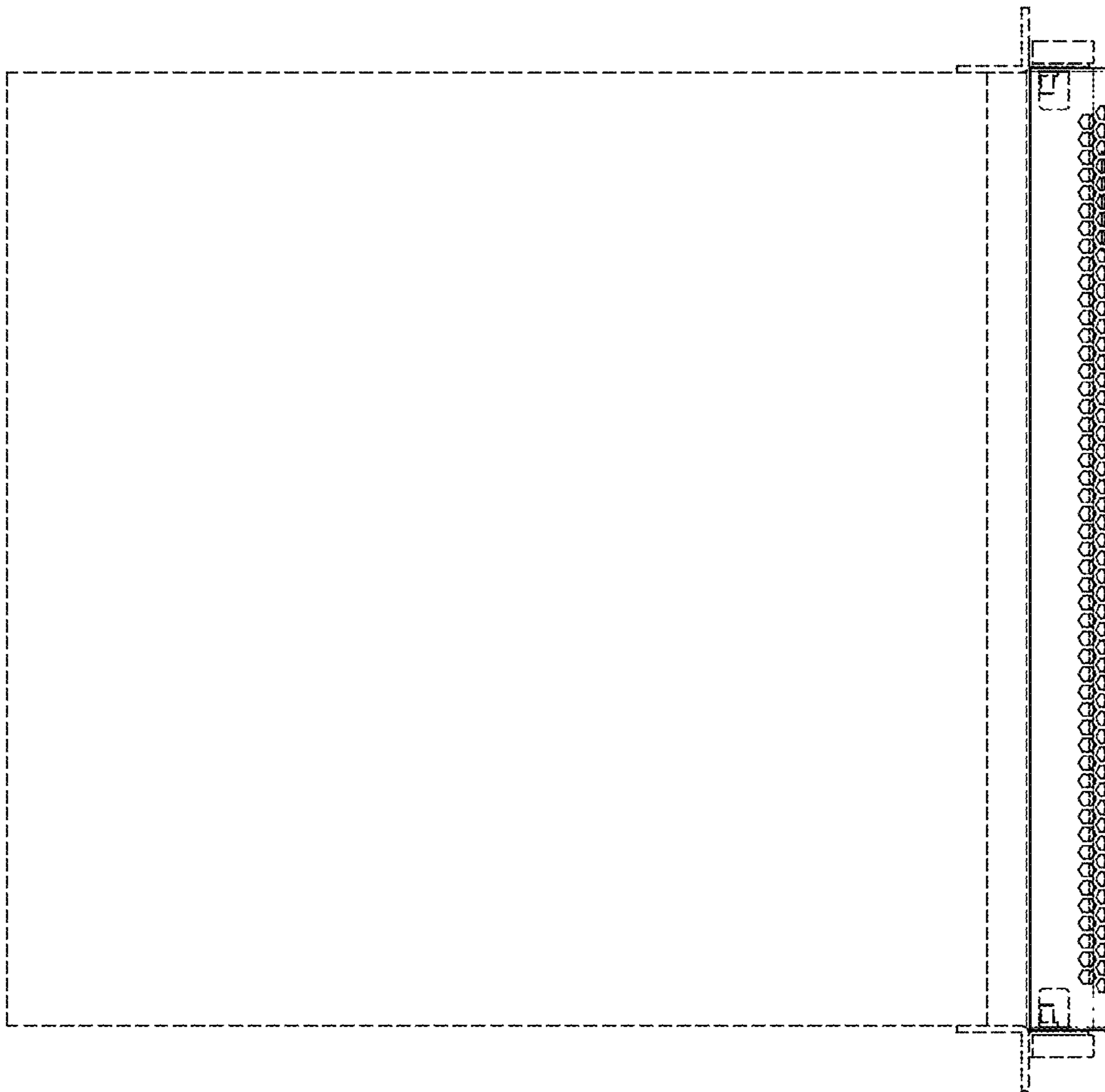


FIG. 2

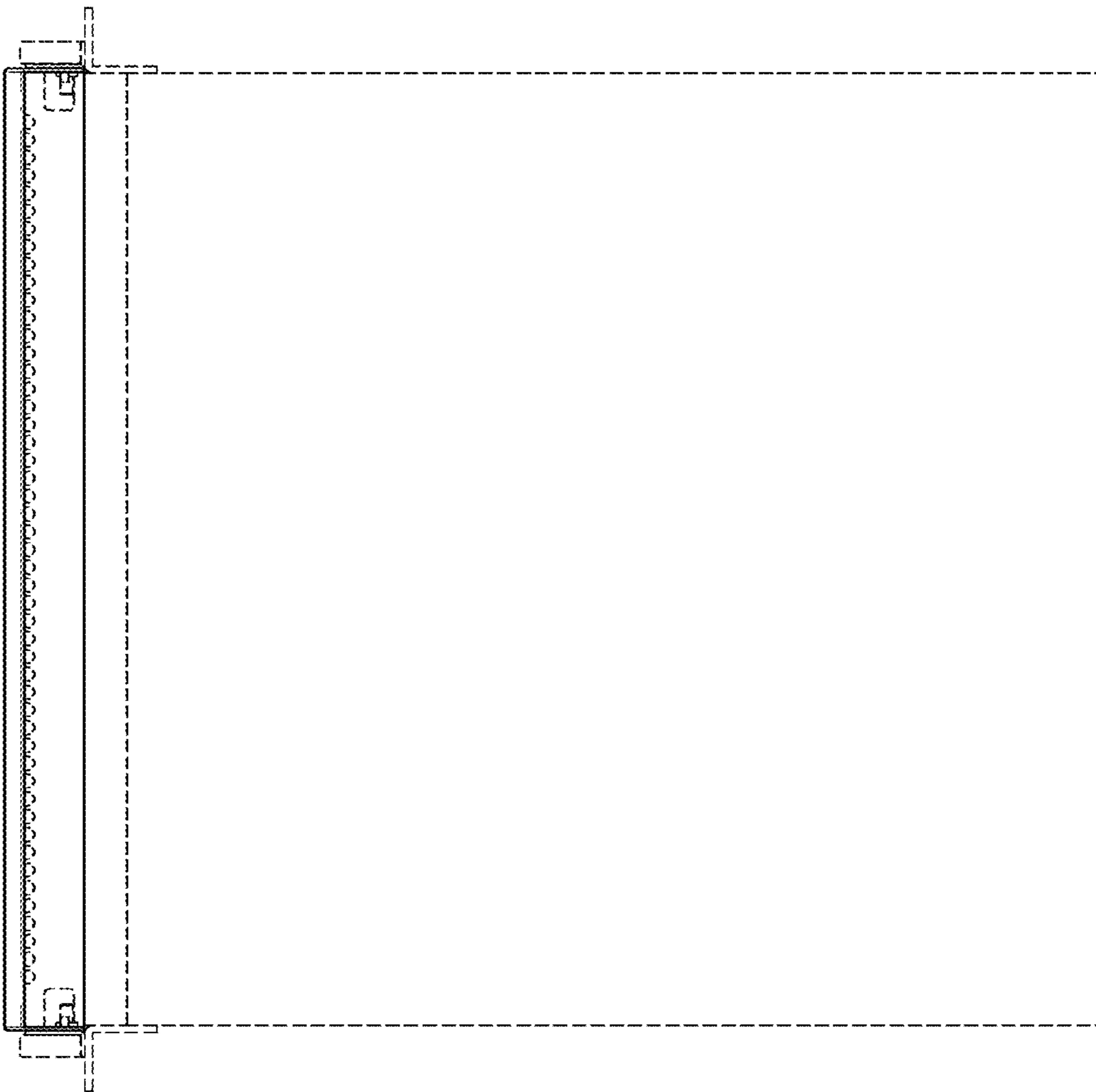


FIG. 3

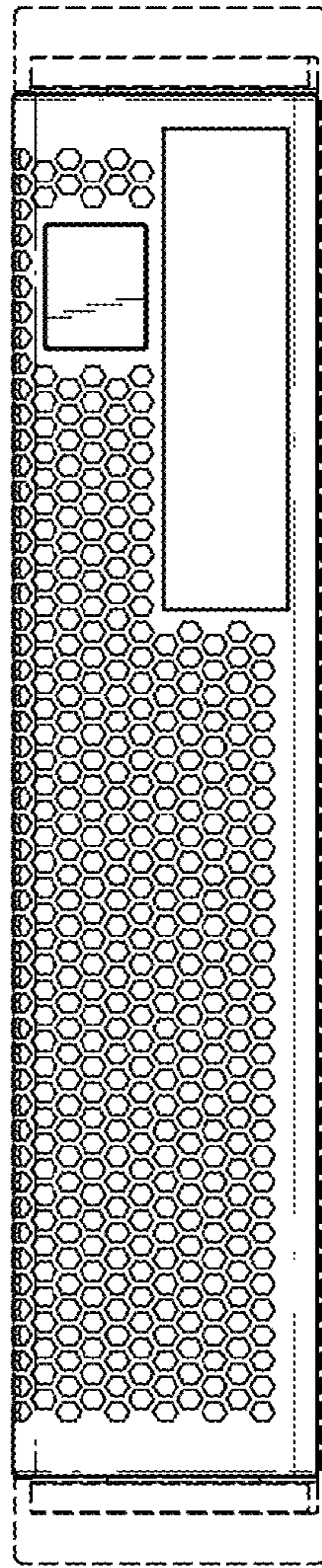


FIG. 4

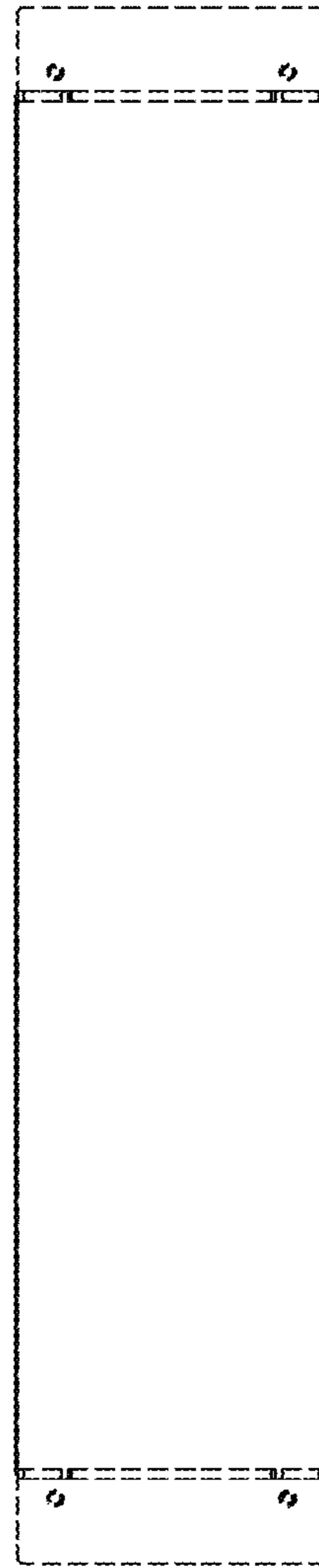


FIG. 5



FIG. 6

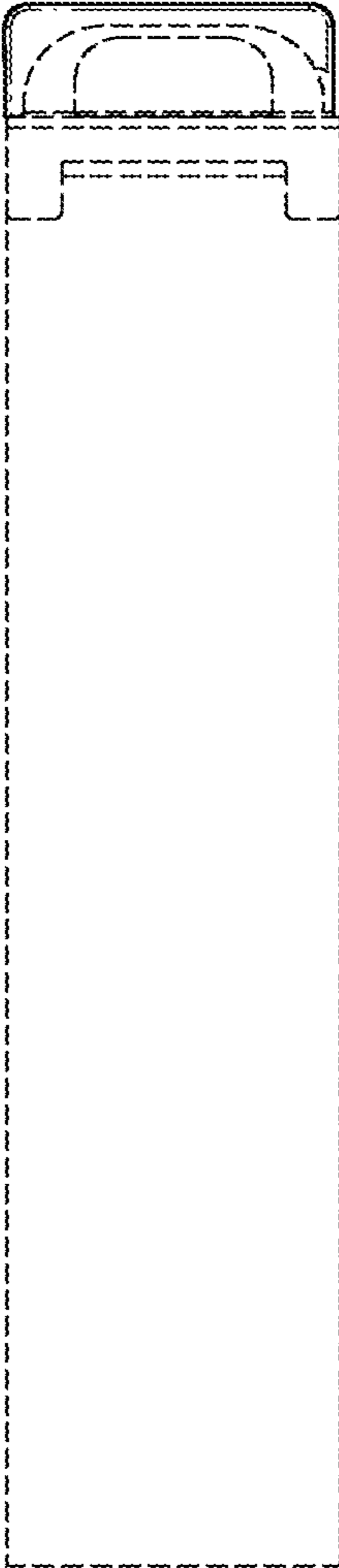


FIG. 7