



US00D754666S

(12) **United States Design Patent**  
**Tiffen et al.**

(10) **Patent No.:** **US D754,666 S**  
(45) **Date of Patent:** **\*\* Apr. 26, 2016**

(54) **CASE FOR IMAGE-TAKING DEVICE**

(71) Applicant: **The Tiffen Company, LLC**

(72) Inventors: **Steven Tiffen**, East Hills, NY (US);  
**Patty Nast Canton**, Kansas City, MO (US)

(73) Assignee: **The Tiffen Company, LLC**,  
Hauppauge, NY (US)

(\*\*) Term: **14 Years**

(21) Appl. No.: **29/513,503**

(22) Filed: **Dec. 31, 2014**

(51) **LOC (10) Cl.** ..... **14-02**

(52) **U.S. Cl.**  
USPC ..... **D14/440**

(58) **Field of Classification Search**

USPC ..... D14/250, 251, 253, 240, 217, 496, 440,  
D14/203.3, 203.4, 203.5, 203.8, 341, 318;  
D3/218, 215, 201, 294, 289, 900;  
220/4.02; 248/309.1; 361/679.56;  
379/426, 433.11, 455; 455/575.1,  
455/575.8, 457.1; 190/100; 206/305, 320,  
206/45.2; D21/469; 312/240  
CPC ... G06F 1/1601; G06F 1/1626; G06F 1/1633;  
G06F 1/1675; G06F 1/1679; G02F 1/1306;  
G02F 1/133; G02F 1/133308; G02F 1/153;  
G02F 1/1533; G02F 2001/133317; H04M  
1/185; H04M 1/0252; H04B 1/3888  
See application file for complete search history.

(56) **References Cited**

**U.S. PATENT DOCUMENTS**

1,613,536 A \* 1/1927 Rose ..... 132/315  
D230,376 S \* 2/1974 Andrew ..... D19/91

(Continued)

*Primary Examiner* — Cynthia Underwood

(74) *Attorney, Agent, or Firm* — Barnes & Thornburg LLP;  
Joan T. Kluger

(57) **CLAIM**

The ornamental design for a case for an image-taking device, substantially as shown and described.

**DESCRIPTION**

FIG. 1 is a perspective view of the back of the case for an image-taking device showing the new design in a partially opened configuration.

FIG. 2 is a front view of a closed configuration.

FIG. 3 is a front view of an opened configuration.

FIG. 4 is a front view with the cover open in an extended configuration.

FIG. 5 is a back view of a closed configuration.

FIG. 6 is a back view of an open configuration.

FIG. 7 is a bottom view in a closed configuration.

FIG. 8 is view of either a right or left side in a closed configuration.

FIG. 9 is a view of either a right or left side in an open configuration.

FIG. 10 depicts an enlarged view of the case of FIG. 1.

FIG. 11 is an enlargement of FIG. 2 without the strap.

FIG. 12 is an enlargement of FIG. 3 without the strap.

FIG. 13 is an enlargement of FIG. 4 without the strap.

FIG. 14 is an enlargement of FIG. 5 without the strap.

FIG. 15 is an enlargement of FIG. 6 without the strap.

FIG. 16 is an enlargement of the circled portion of FIG. 2 designated as "16."

FIG. 17 is an enlargement of the circled portion of FIG. 2 designated as "17."

FIG. 18 is an enlargement of the circled portion of FIG. 2 designated as "18."

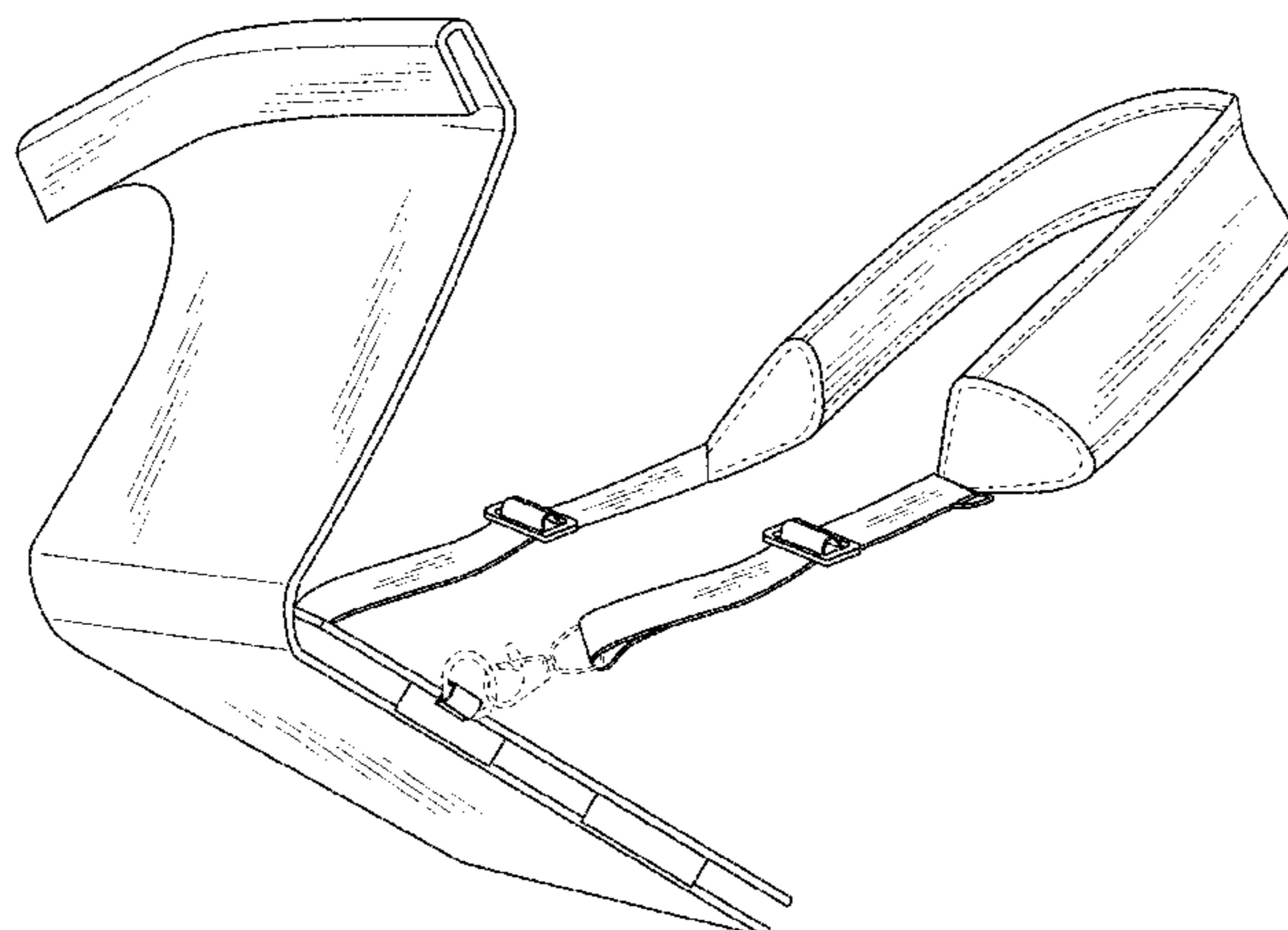
FIG. 19 is an enlargement of the circled portion of FIG. 7 designated as "19."

FIG. 20 is an enlargement of the circled portion of FIG. 8 designated as "20."; and,

FIG. 21 is an enlargement of the circled portion of FIG. 9 designated as "21."

The broken lines in the drawings depict environmental subject matter/or parts of the case for image-taking device and form no part of the claimed design.

**1 Claim, 19 Drawing Sheets**



(56)

## References Cited

## U.S. PATENT DOCUMENTS

- 4,259,568 A \* 3/1981 Dynesen ..... 235/1 D  
6,772,879 B1 \* 8/2004 Domotor ..... 206/45.23  
7,281,698 B2 \* 10/2007 Patterson, Jr. .... 248/458  
7,414,833 B2 \* 8/2008 Kittayapong ..... 361/679.27  
D600,699 S \* 9/2009 Johnston et al. .... D14/440  
7,735,644 B2 \* 6/2010 Sirichai et al. .... 206/320  
D658,187 S \* 4/2012 Diebel ..... D14/440  
D658,188 S \* 4/2012 Diebel ..... D14/440  
D663,304 S \* 7/2012 Akana et al. .... D14/440  
8,230,992 B2 \* 7/2012 Law et al. .... 206/320  
8,245,843 B1 \* 8/2012 Wu ..... 206/320  
D669,480 S \* 10/2012 Piedra et al. .... D14/440  
8,312,991 B2 \* 11/2012 Diebel et al. .... 206/45.24  
D671,948 S \* 12/2012 Akana et al. .... D14/440  
D672,353 S \* 12/2012 Liu ..... D14/440  
D672,781 S \* 12/2012 Lu ..... D14/440  
D675,625 S \* 2/2013 Hasbrook et al. .... D14/440  
D678,260 S \* 3/2013 Bau ..... D14/250  
D679,279 S \* 4/2013 Yang et al. .... D14/440  
D679,715 S \* 4/2013 Akana et al. .... D14/440  
8,424,830 B2 \* 4/2013 Yang et al. .... 248/459  
D681,641 S \* 5/2013 Van Den Nieuwenhuizen  
et al. .... D14/440  
D682,836 S \* 5/2013 Akana et al. .... D14/440  
D682,838 S \* 5/2013 Akana et al. .... D14/440  
D683,141 S \* 5/2013 Symons ..... D6/310  
D687,438 S \* 8/2013 Lu ..... D14/440  
D690,305 S \* 9/2013 Wen ..... D14/440  
D690,702 S \* 10/2013 Chung ..... D14/440  
D691,142 S \* 10/2013 Diebel ..... D14/440  
D692,434 S \* 10/2013 Kim ..... D14/440  
D693,823 S \* 11/2013 Chen et al. .... D14/440  
D695,296 S \* 12/2013 Hsu ..... D14/440  
D696,253 S \* 12/2013 Akana et al. .... D14/345  
D696,256 S \* 12/2013 Piedra et al. .... D14/440  
D696,669 S \* 12/2013 Akana et al. .... D14/440  
8,640,864 B2 \* 2/2014 Chen et al. .... 206/45.2  
8,644,893 B2 \* 2/2014 Liang ..... 455/575.1  
8,657,112 B2 \* 2/2014 Igarashi ..... 206/320  
D701,205 S \* 3/2014 Akana et al. .... D14/345  
D702,673 S \* 4/2014 Murchison et al. .... D14/250  
D704,689 S \* 5/2014 Chang ..... D14/250  
D704,693 S \* 5/2014 Kim ..... D14/250  
D706,270 S \* 6/2014 Akana et al. .... D14/440  
D706,783 S \* 6/2014 Almodova ..... D14/440  
D707,229 S \* 6/2014 Almodova ..... D14/440  
8,757,375 B2 \* 6/2014 Huang ..... 206/320  
D708,838 S \* 7/2014 Lee ..... D3/201  
8,763,795 B1 \* 7/2014 Oten et al. .... 206/45.23  
8,766,921 B2 \* 7/2014 Ballagas et al. .... 345/168  
8,773,353 B2 \* 7/2014 Wei ..... 345/156  
8,783,458 B2 \* 7/2014 Gallagher et al. .... 206/320  
D710,859 S \* 8/2014 Mecchella et al. .... D14/440  
D711,861 S \* 8/2014 Mei ..... D14/250  
8,797,132 B2 \* 8/2014 Childs et al. .... 335/219  
D712,413 S \* 9/2014 Fukai ..... D14/440  
D720,756 S \* 1/2015 Stavrakakis ..... D14/440  
D723,040 S \* 2/2015 Kang et al. .... D14/440  
D723,569 S \* 3/2015 Peng ..... D14/440  
D724,090 S \* 3/2015 Kim et al. .... D14/440  
D726,192 S \* 4/2015 Massucco et al. .... D14/440  
D727,332 S \* 4/2015 Hirsch ..... D14/440  
D727,916 S \* 4/2015 Melmon et al. .... D14/440  
D727,919 S \* 4/2015 Melmon et al. .... D14/440  
D730,913 S \* 6/2015 Shao ..... D14/440  
D733,150 S \* 6/2015 Sirichai ..... D14/440  
D733,151 S \* 6/2015 Brierley ..... D14/440  
D733,152 S \* 6/2015 Sirichai ..... D14/440  
2003/0034263 A1 \* 2/2003 D'Hoste ..... 206/320  
2008/0302687 A1 \* 12/2008 Sirichai et al. .... 206/320  
2009/0159763 A1 \* 6/2009 Kim ..... 248/174  
2011/0266194 A1 \* 11/2011 Bau ..... 206/736  
2011/0290687 A1 \* 12/2011 Han ..... 206/320  
2012/0037523 A1 \* 2/2012 Diebel et al. .... 206/320  
2012/0211377 A1 \* 8/2012 Sajid ..... 206/216  
2012/0211613 A1 \* 8/2012 Yang et al. .... 248/174  
2012/0305413 A1 \* 12/2012 Chung ..... 206/45.23  
2012/0308981 A1 \* 12/2012 Libin et al. .... 434/362  
2013/0015088 A1 \* 1/2013 Wu ..... 206/320  
2013/0020216 A1 \* 1/2013 Chiou ..... 206/320  
2013/0140203 A1 \* 6/2013 Chiang ..... 206/320  
2013/0213838 A1 \* 8/2013 Tsai et al. .... 206/320  
2013/0214661 A1 \* 8/2013 McBroom ..... 312/325  
2013/0241381 A1 \* 9/2013 Hyncek et al. .... 312/240  
2013/0264459 A1 \* 10/2013 McCosh et al. .... 248/688

\* cited by examiner

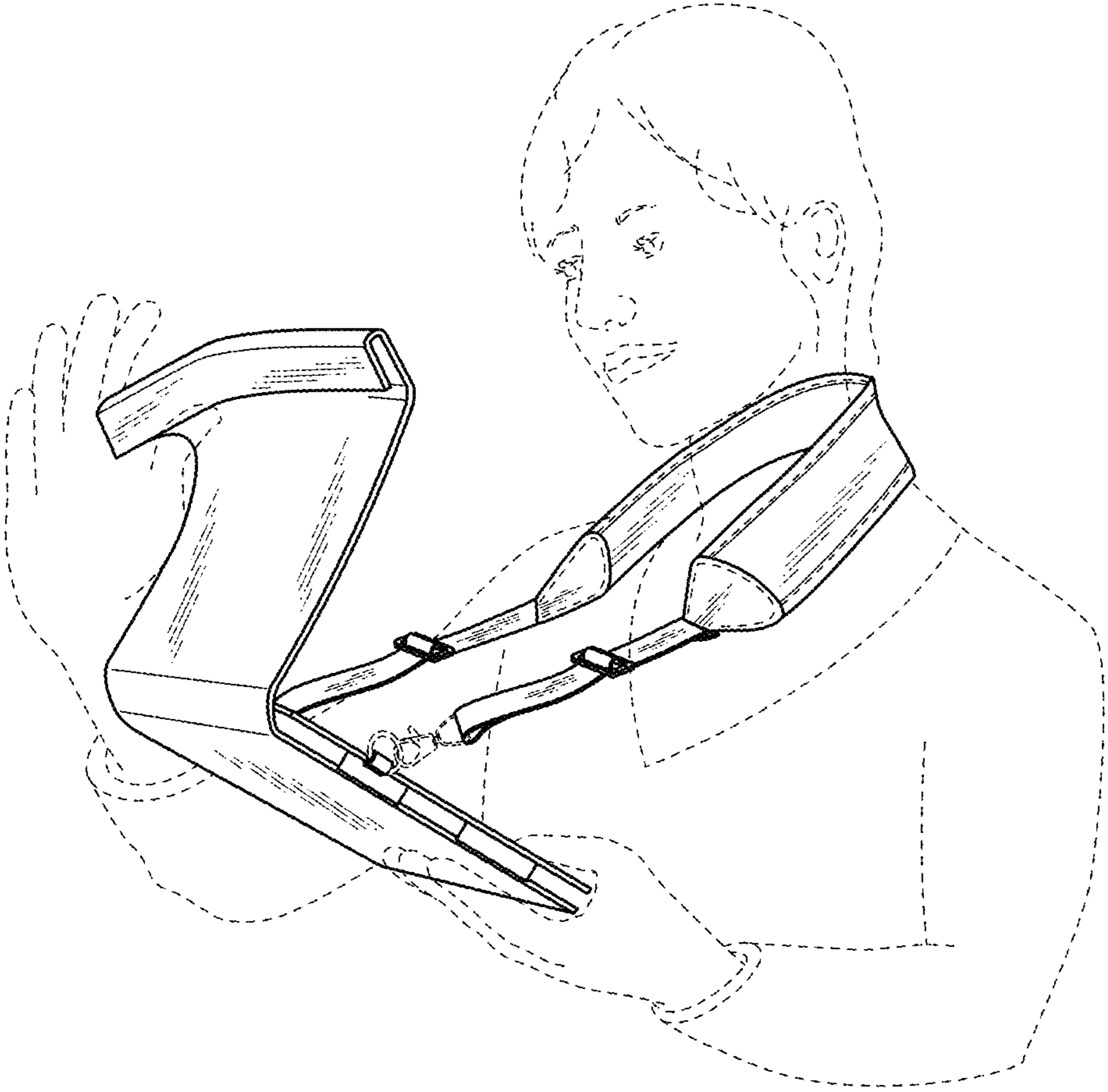


FIG. 1

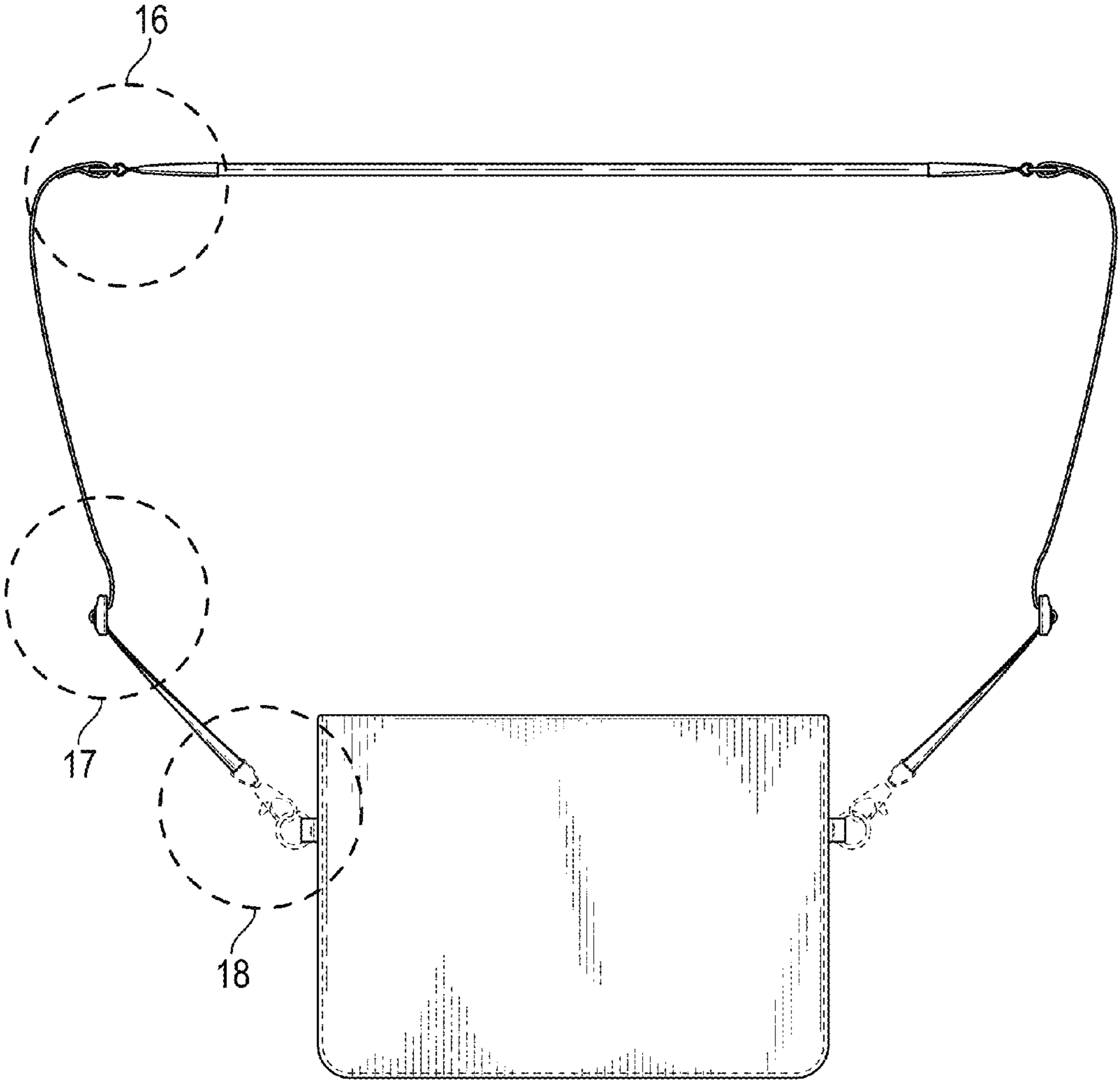


FIG. 2

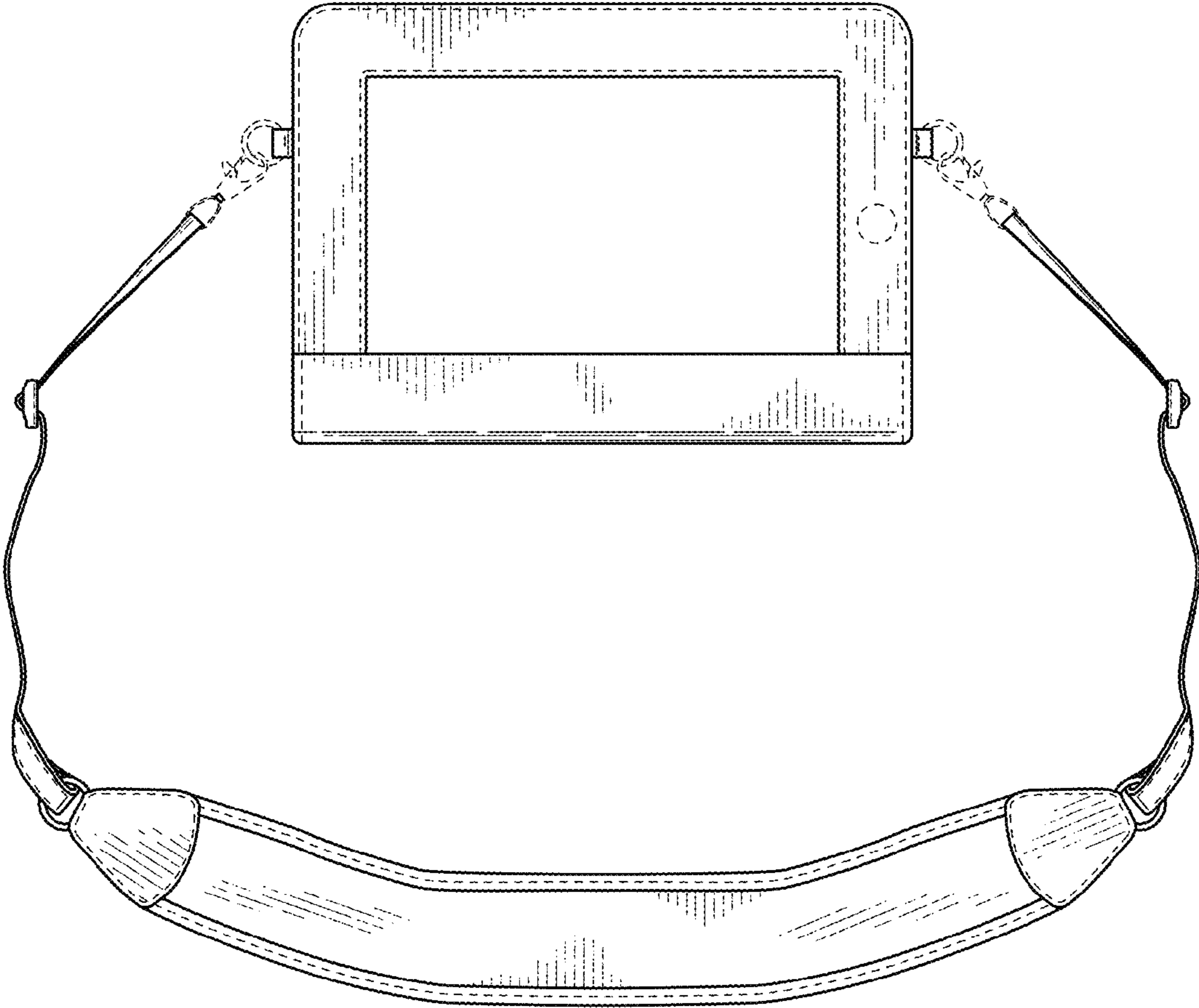


FIG. 3

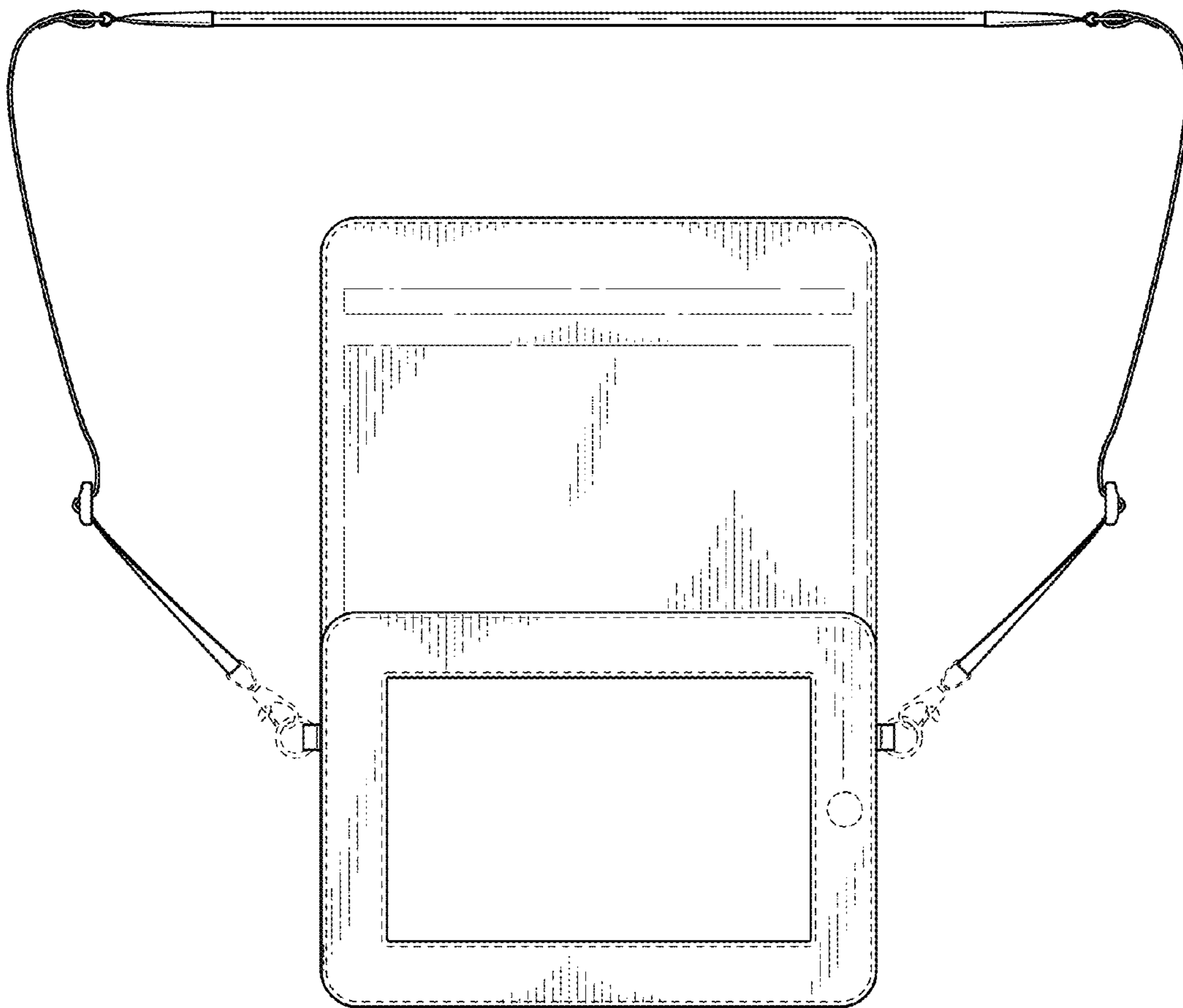


FIG. 4

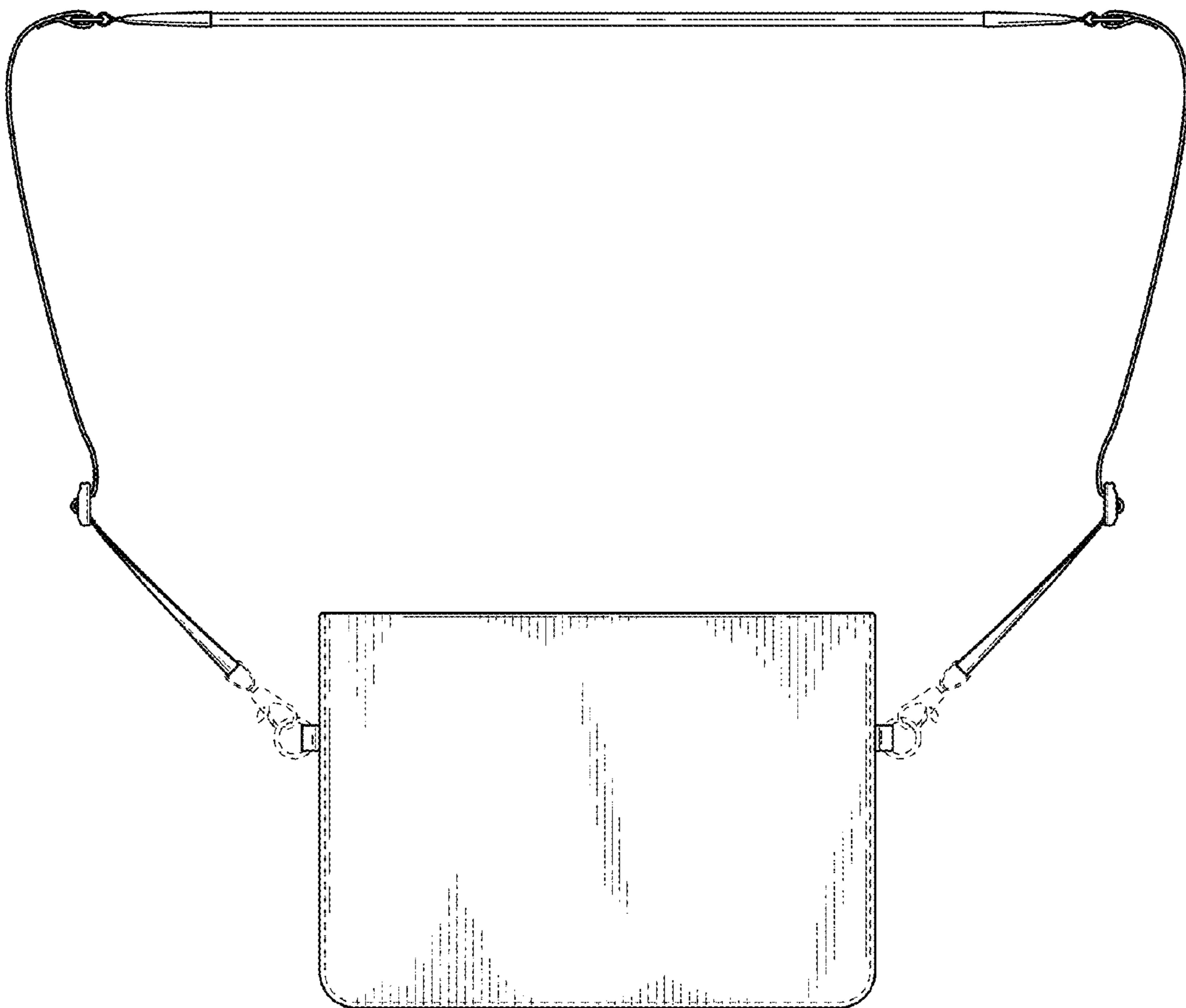


FIG. 5

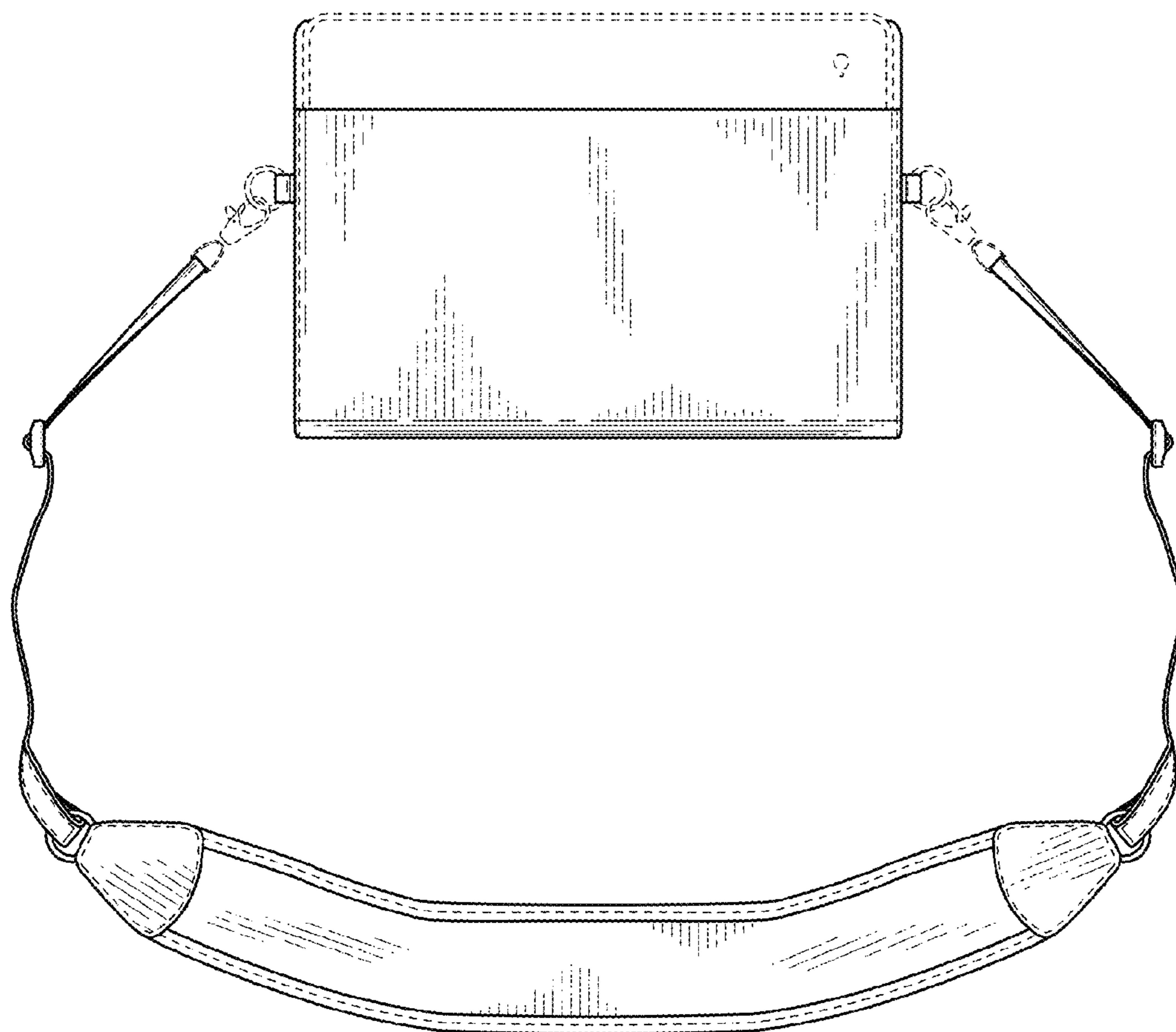


FIG. 6



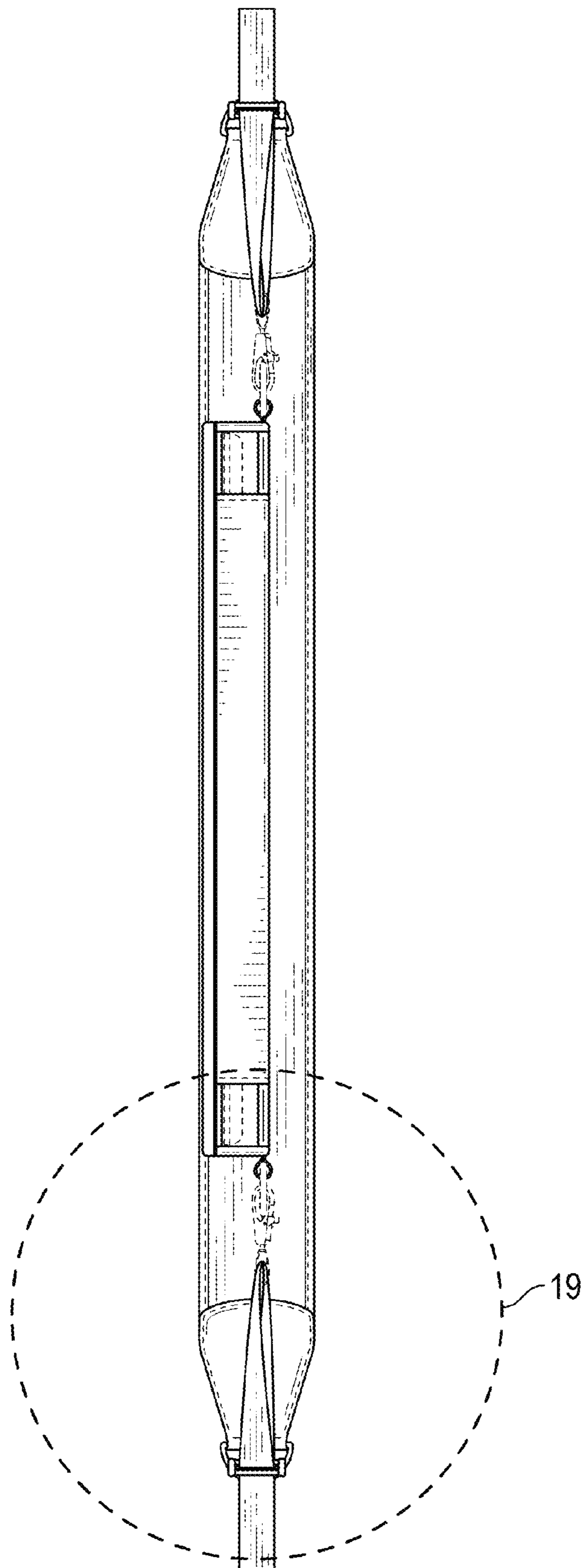


FIG. 7

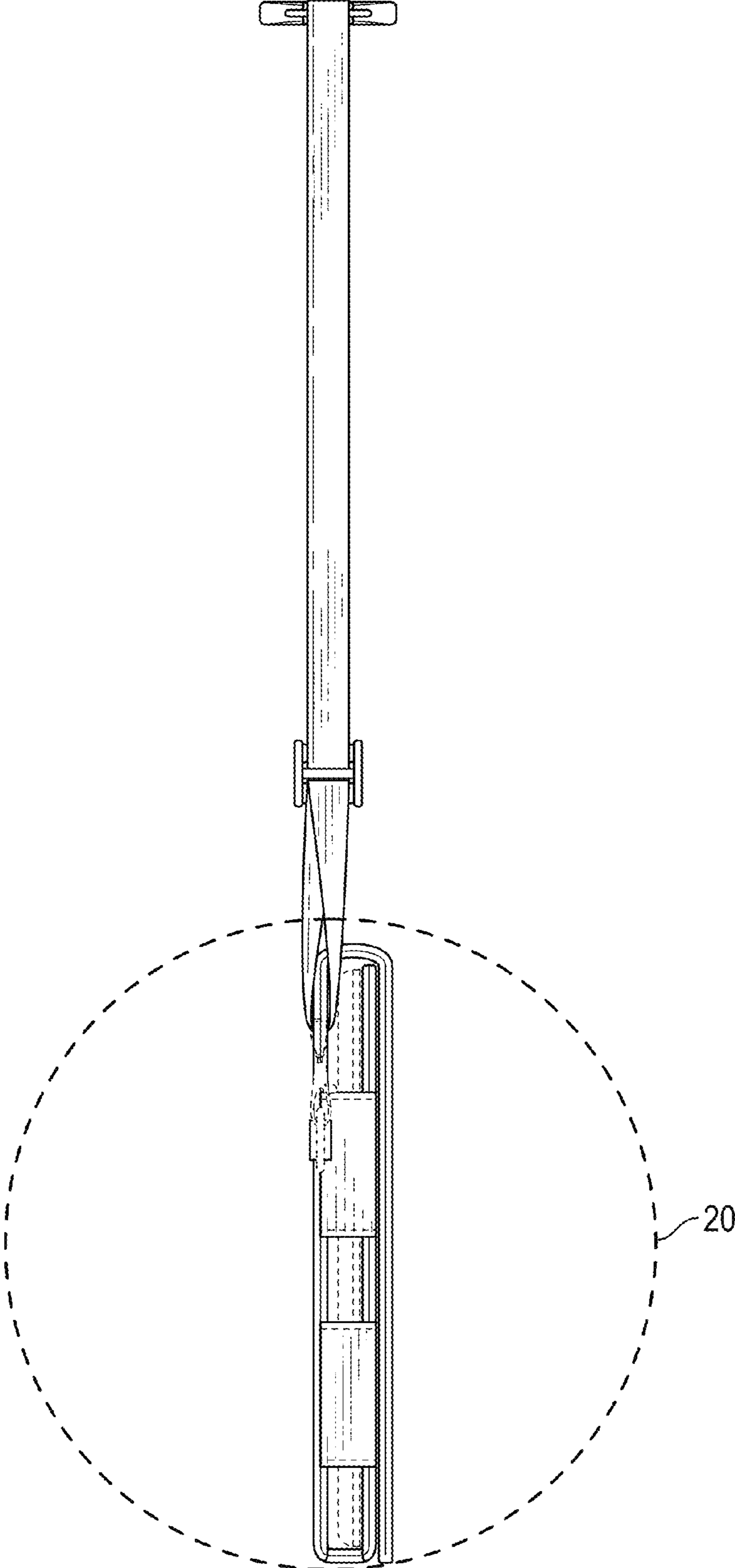


FIG. 8

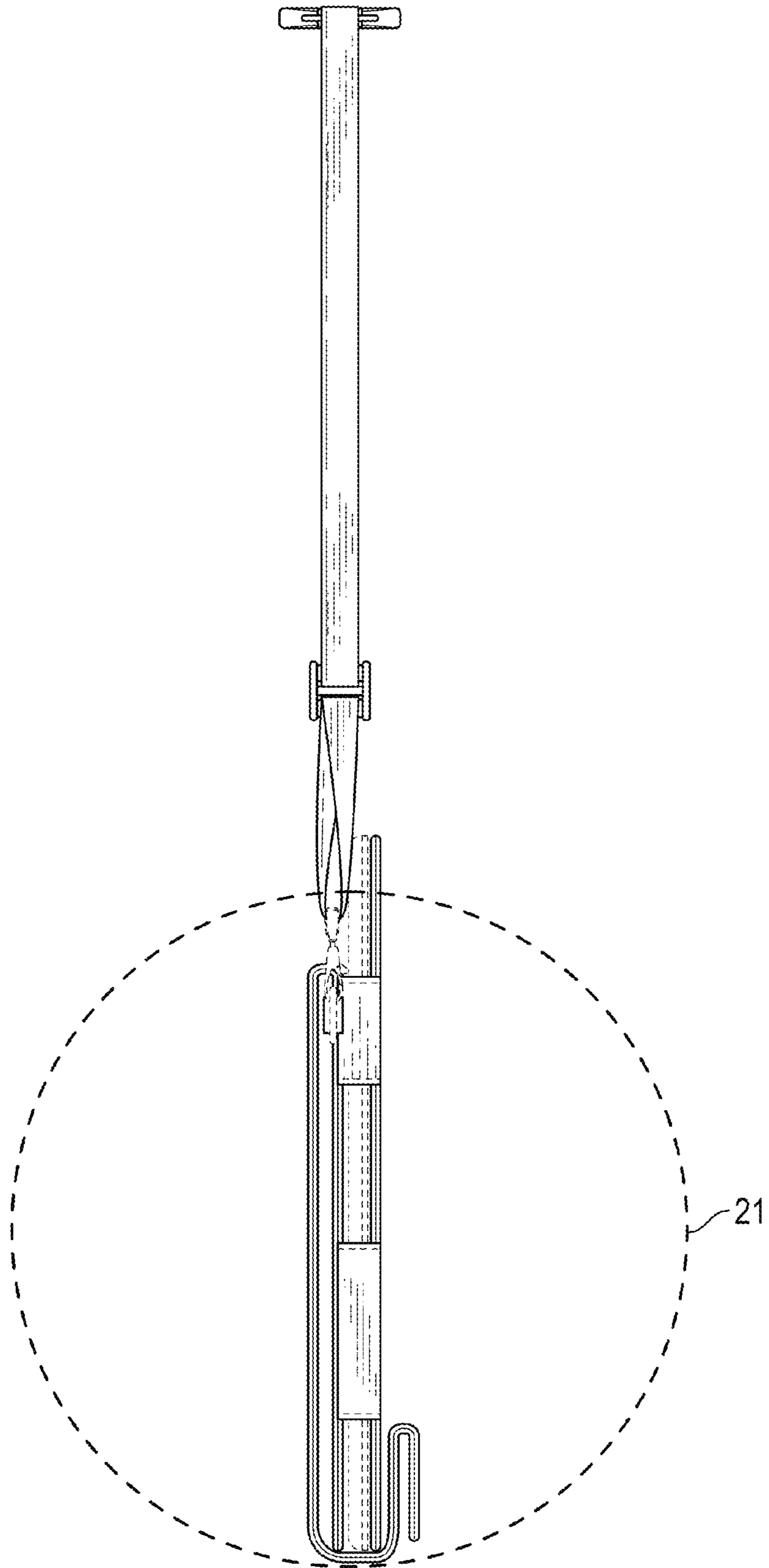


FIG. 9

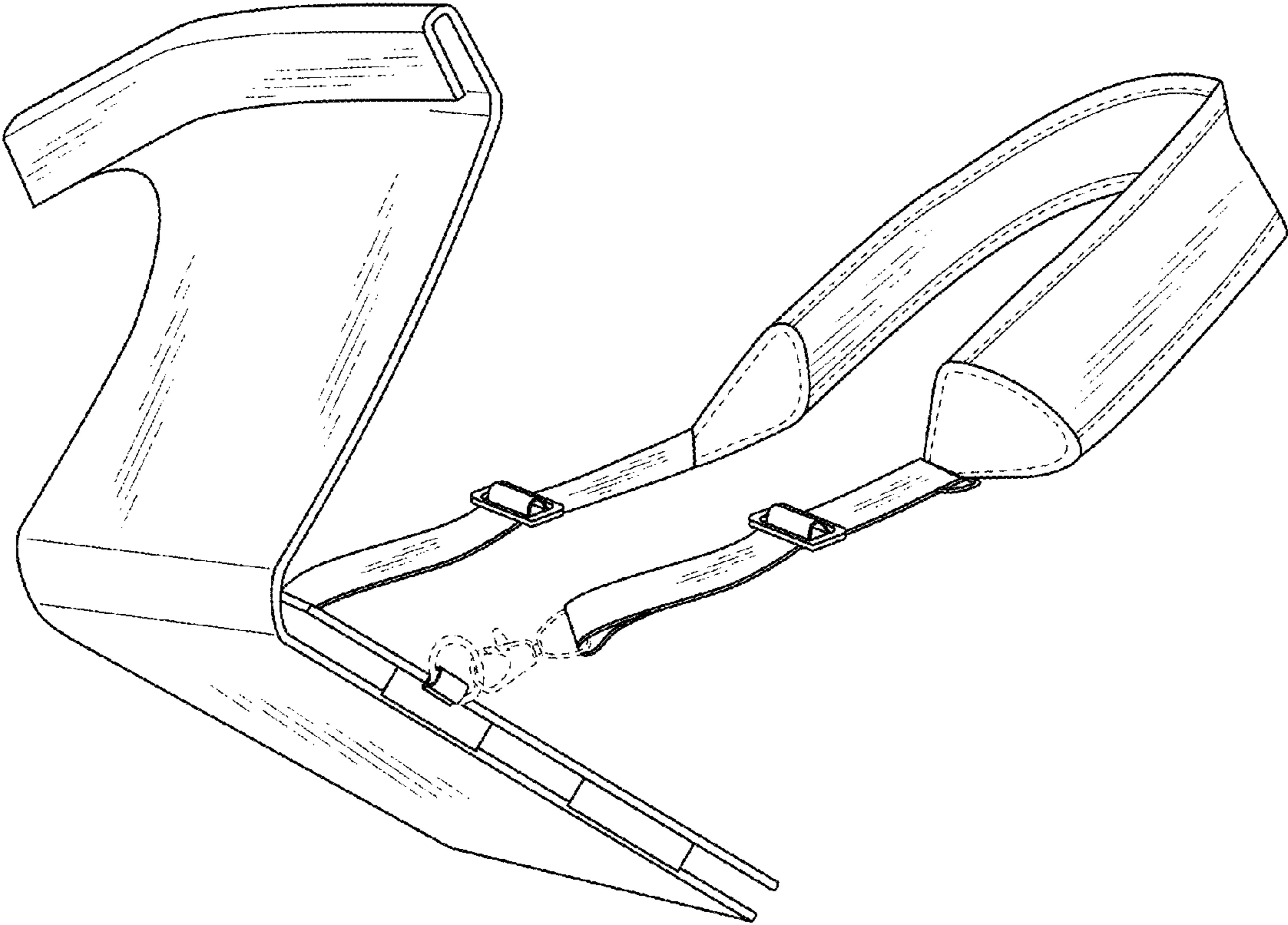


FIG. 10

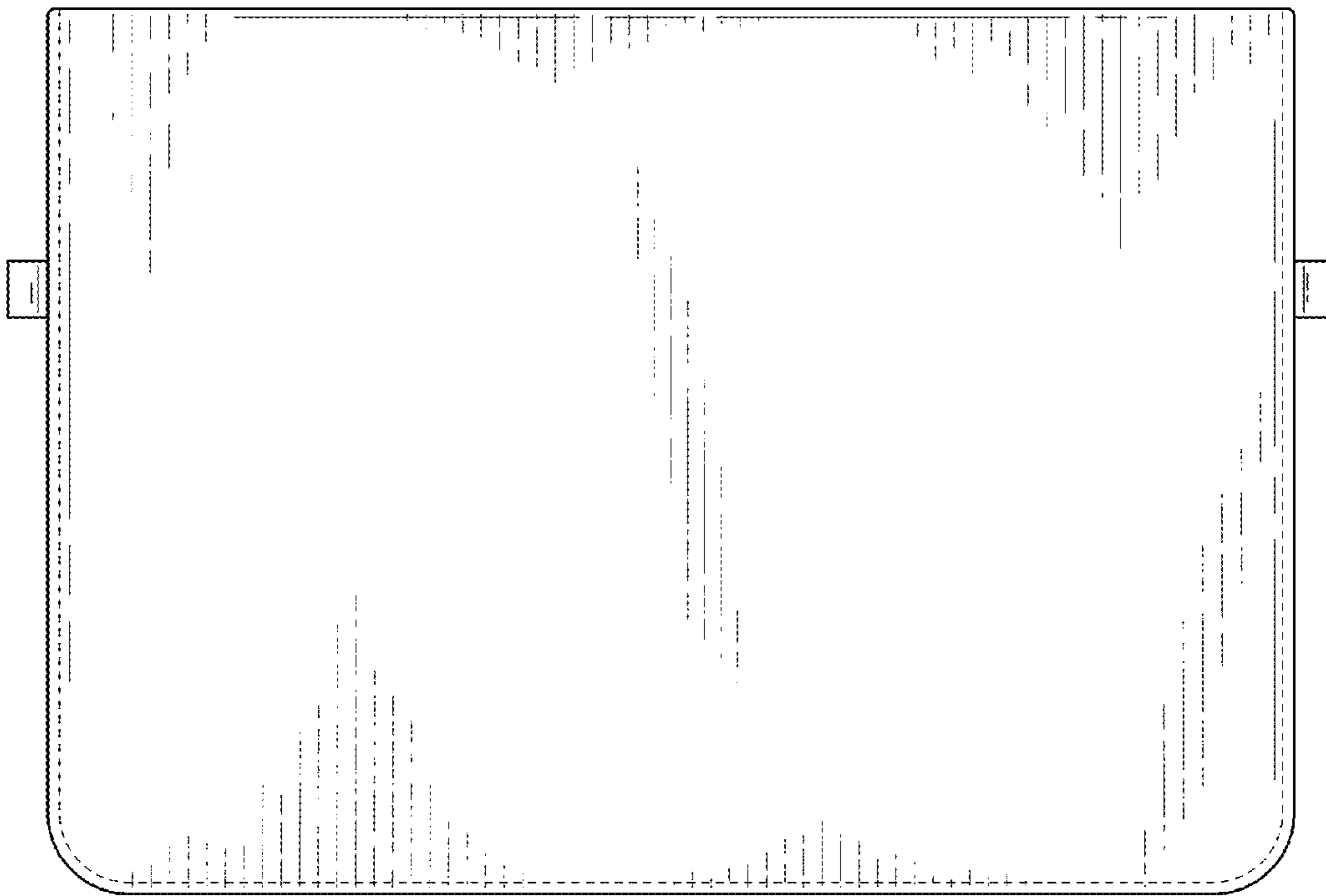


FIG. 11

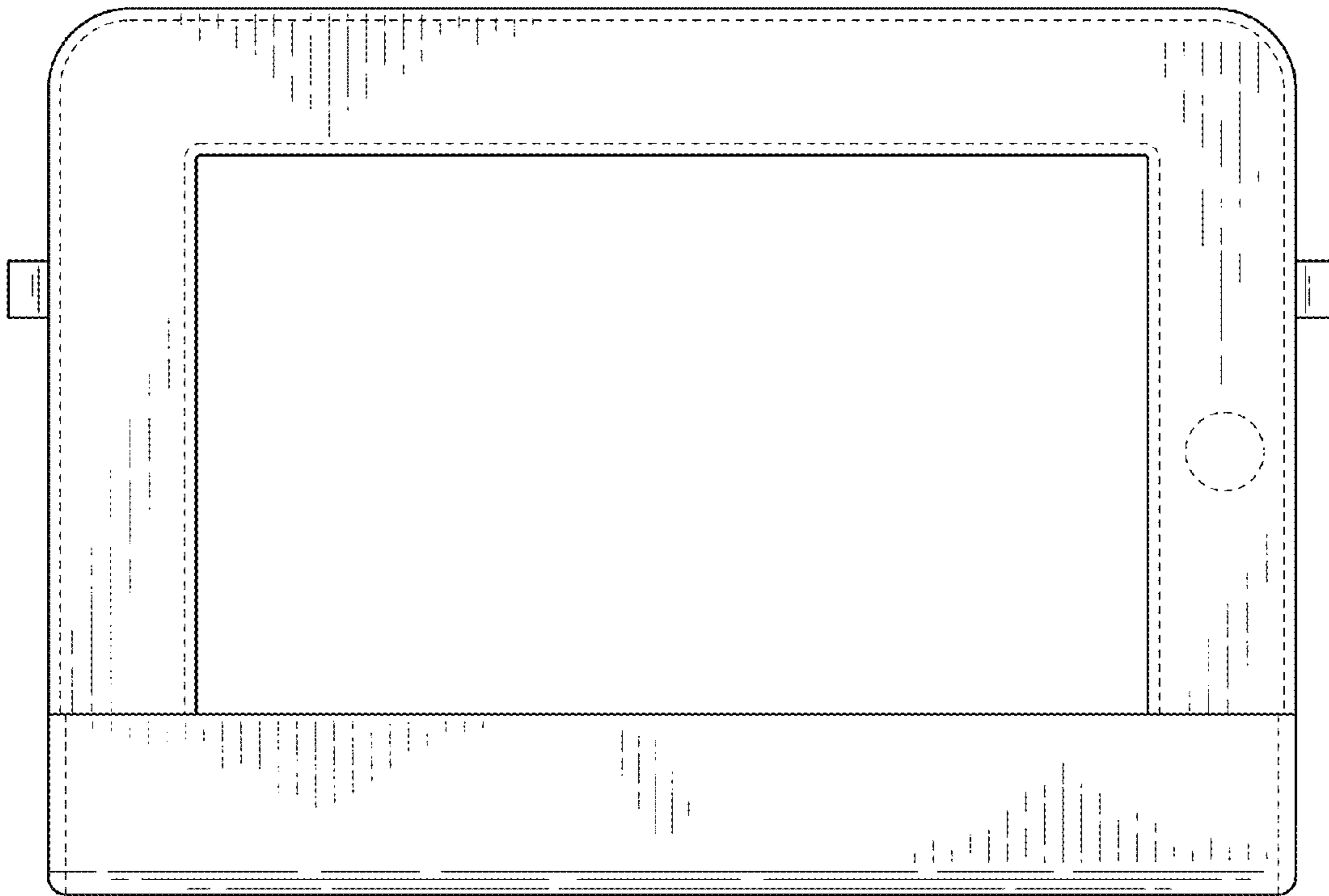


FIG. 12

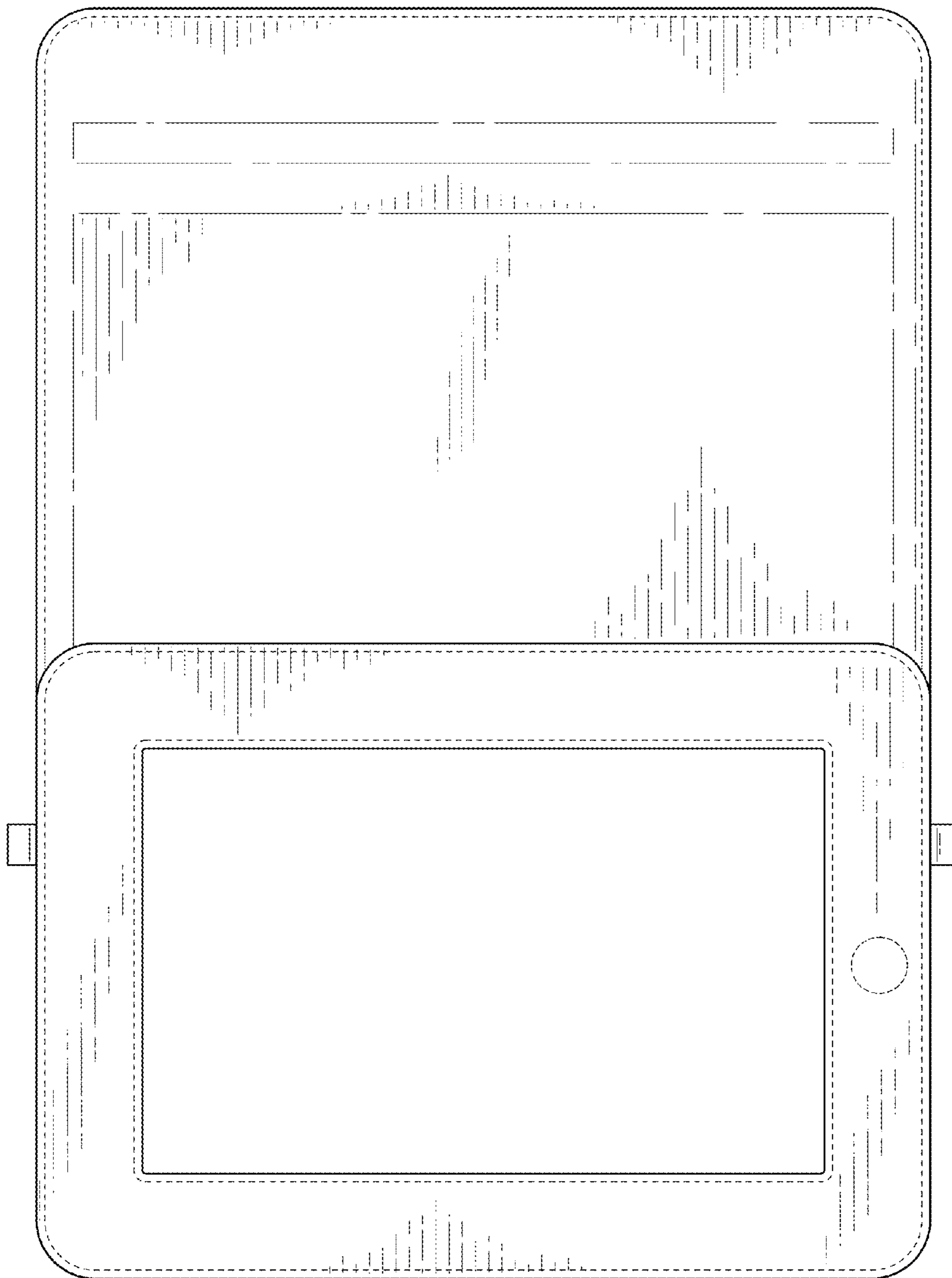


FIG. 13



FIG. 14



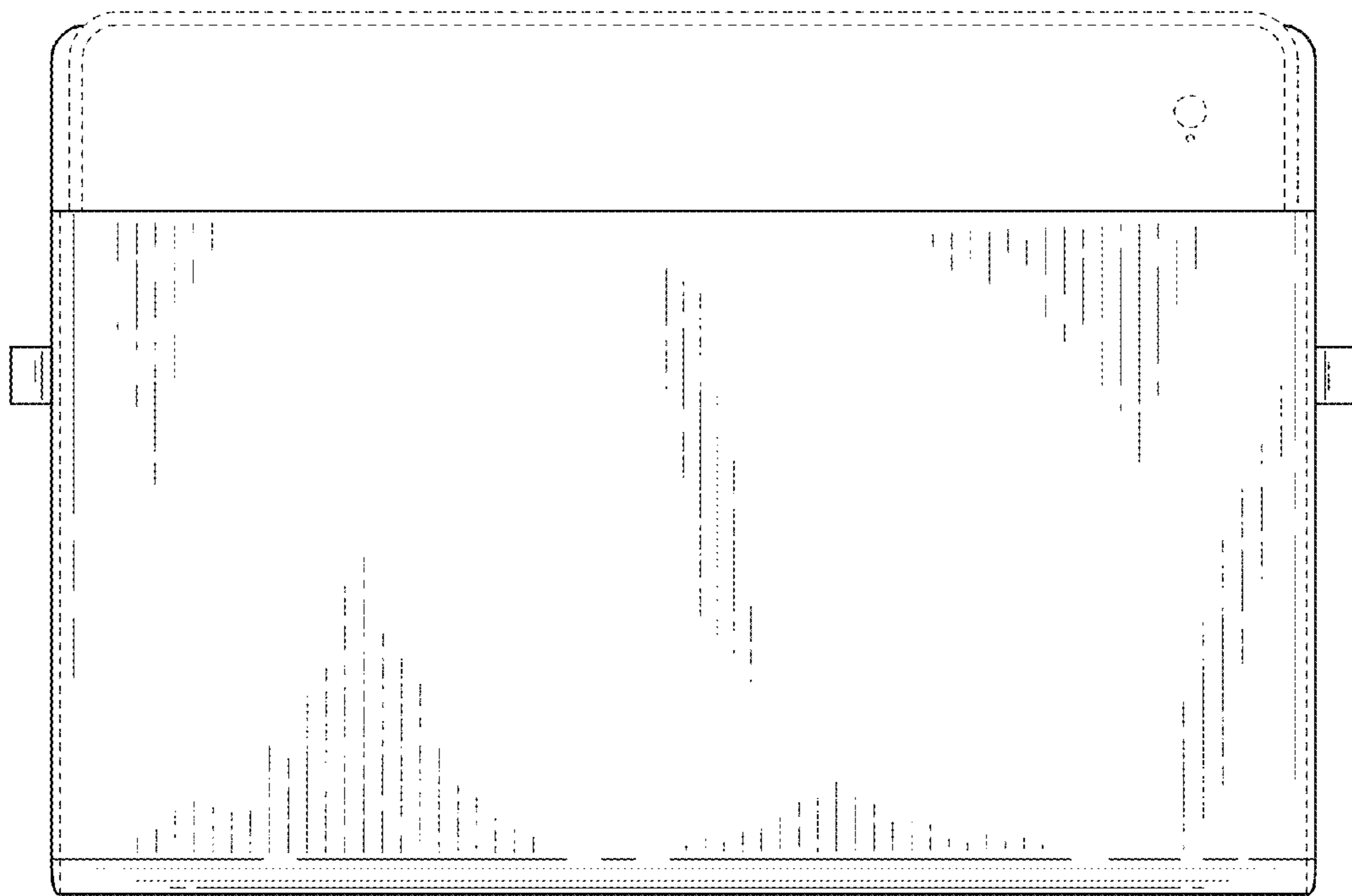


FIG. 15

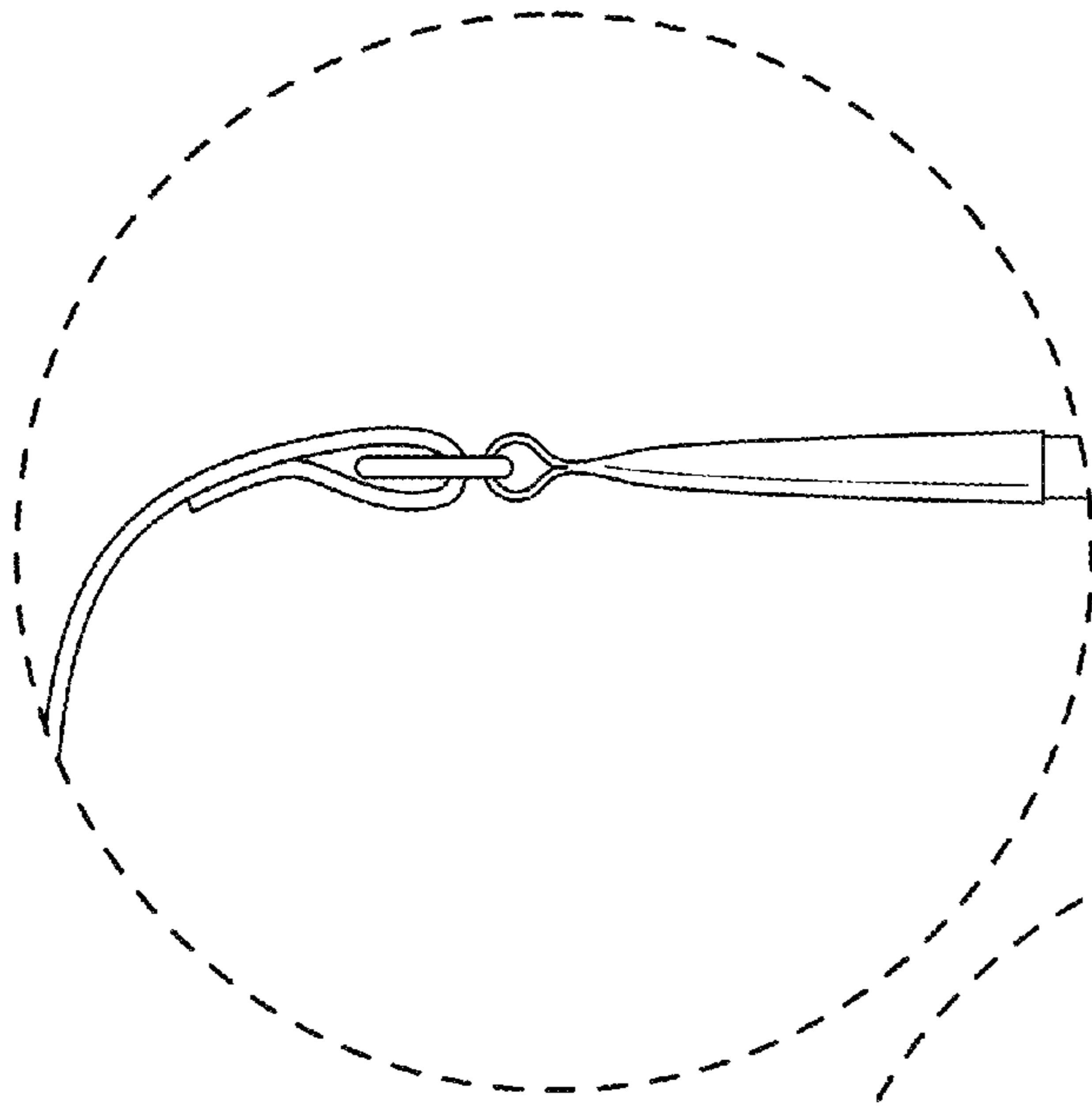


FIG. 16

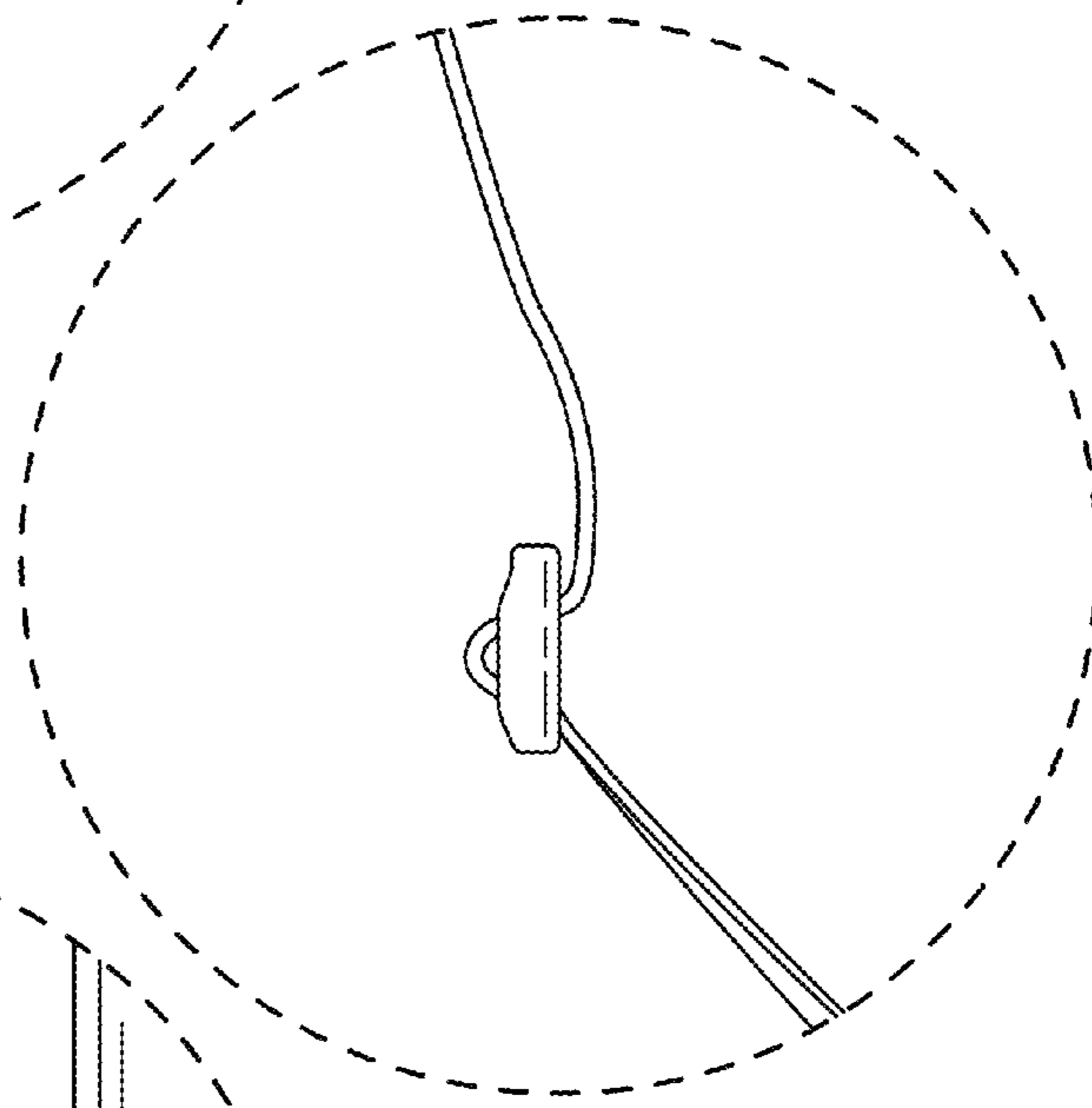


FIG. 17

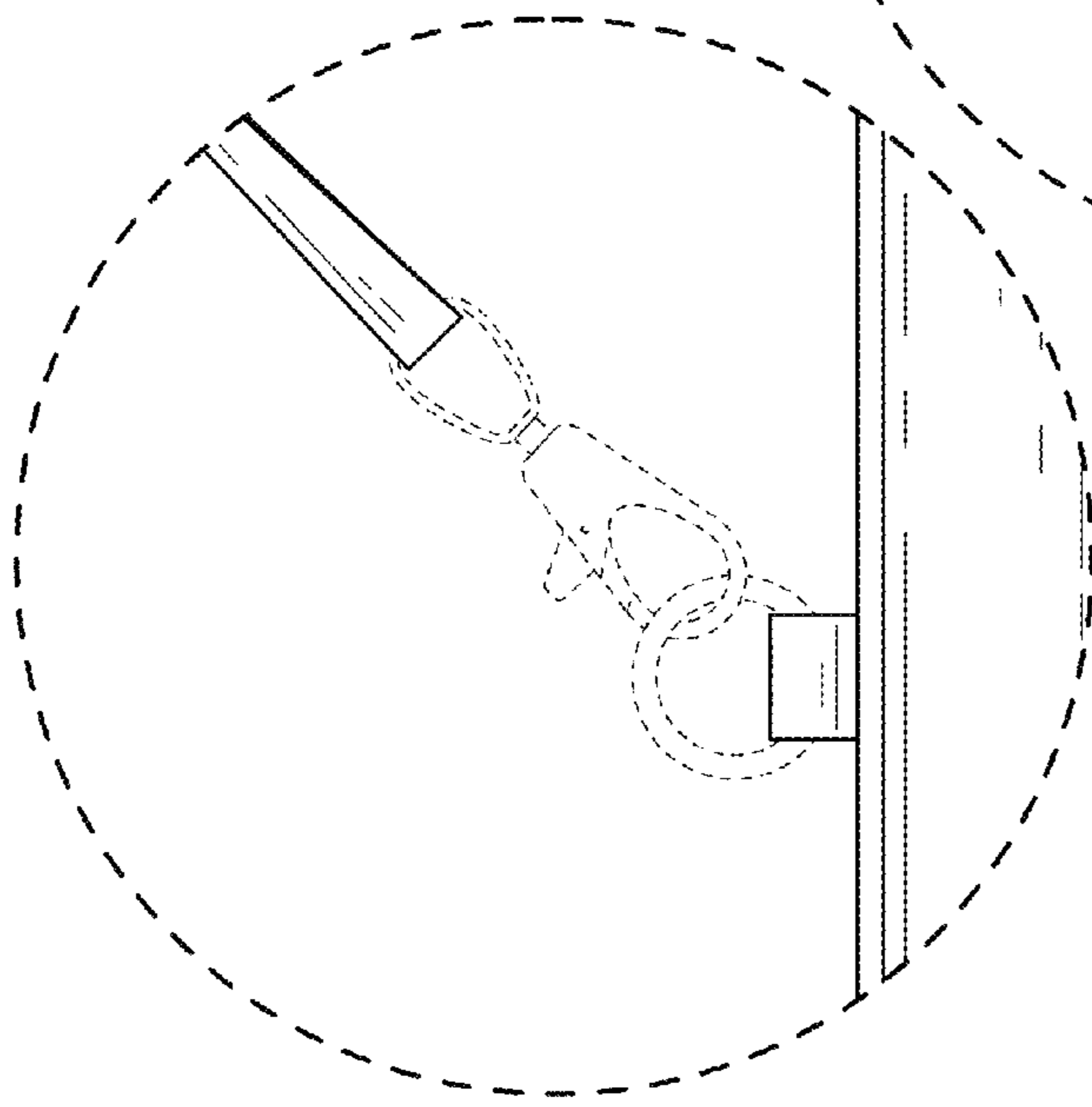


FIG. 18

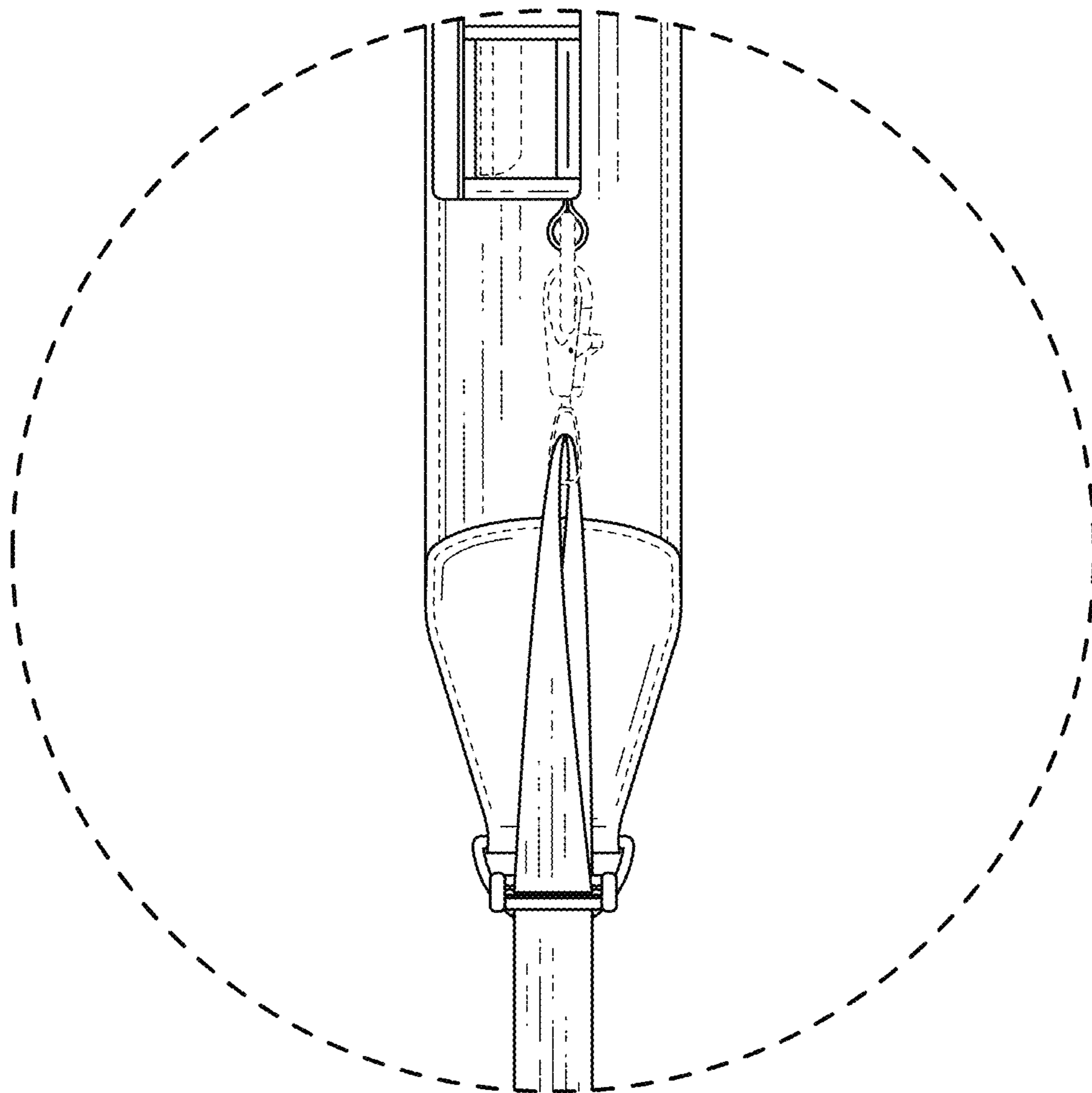


FIG. 19

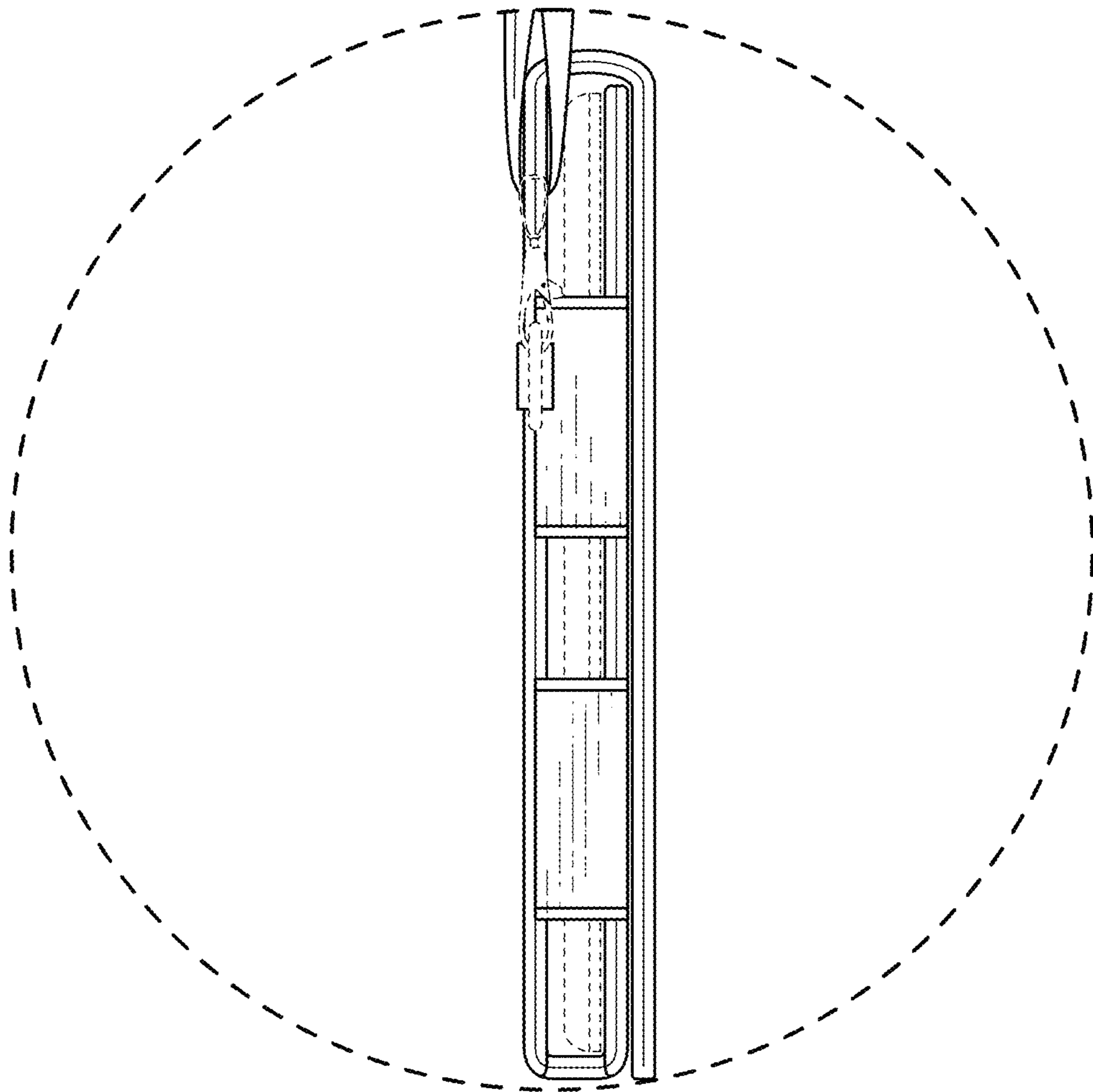


FIG. 20

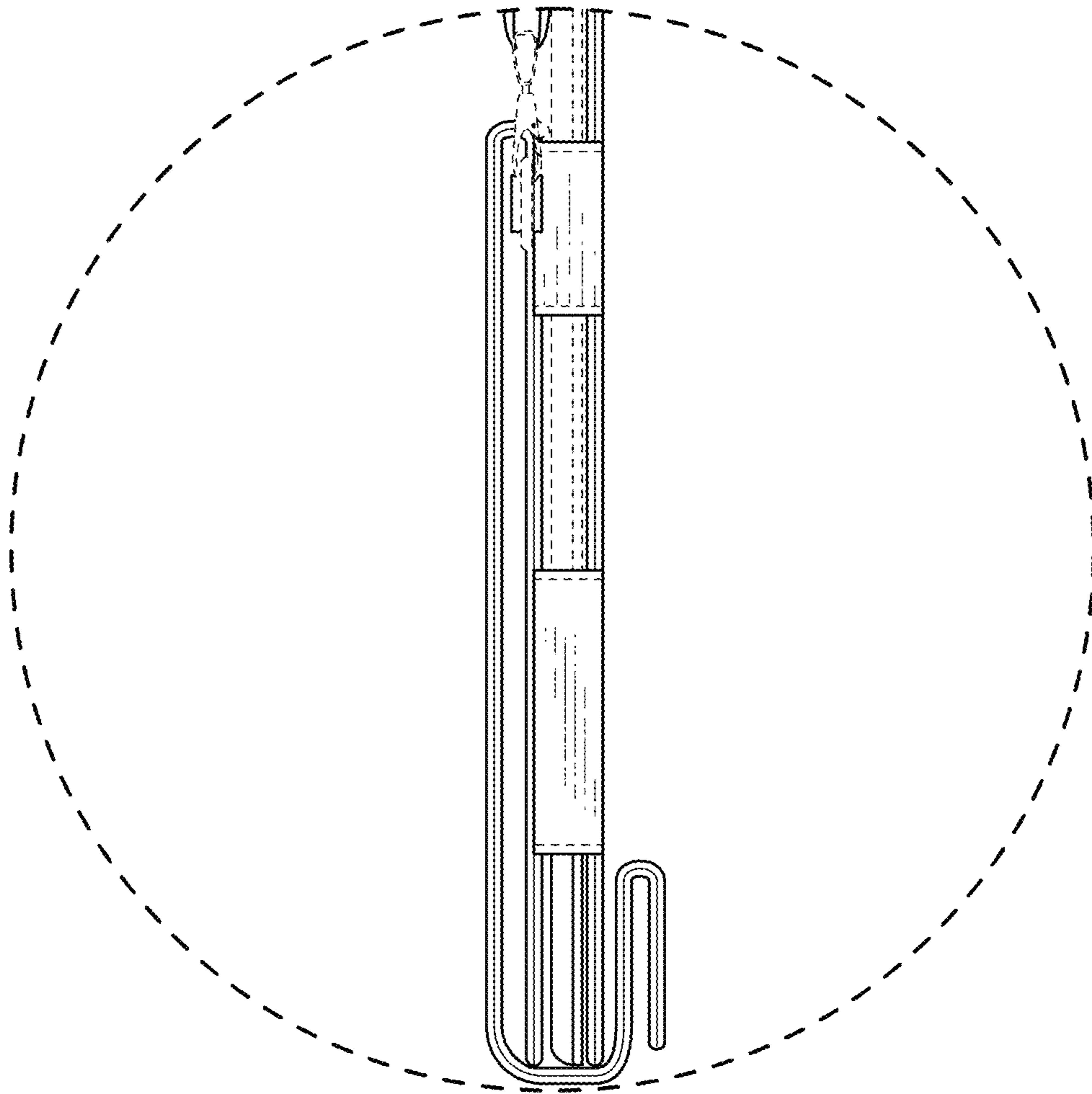


FIG. 21