



US00D754665S

(12) **United States Design Patent**
Zhang et al.

(10) **Patent No.:** **US D754,665 S**

(45) **Date of Patent:** **** Apr. 26, 2016**

(54) **NOTEBOOK ULTRASONIC MODULE**

(71) Applicant: **Edan Instruments, Inc.**, Shenzhen, Guangdong (CN)

(72) Inventors: **Renfu Zhang**, Guangdong (CN);
Chunhong Xia, Guangdong (CN);
Shunjin Xiao, Guangdong (CN)

(73) Assignee: **Edan Instruments, Inc.**, Shenzhen, Guangdong Province (CN)

(**) Term: **14 Years**

(21) Appl. No.: **29/507,700**

(22) Filed: **Oct. 30, 2014**

(30) **Foreign Application Priority Data**

Aug. 29, 2014 (CN) 2014 3 0317087

(51) **LOC (10) Cl.** **14-02**

(52) **U.S. Cl.**
USPC **D14/439; D14/432**

(58) **Field of Classification Search**
USPC D14/300–302, 308–313, 314, 348,
D14/353–355, 432, 439–446, 240;
361/679.02, 679.31, 679.5, 690, 694,
361/679.23, 801, 802; 312/332.1, 334.1;
D13/162; D10/50
CPC A45C 11/00; A45C 2011/003; B60R
11/0241; B60R 11/0252; F16M 13/00; F16M
11/00

See application file for complete search history.

(56) **References Cited**

U.S. PATENT DOCUMENTS

| | | | |
|-------------------|---------|-------------------|--------------------------|
| D377,482 S * | 1/1997 | Geck | D14/368 |
| D421,428 S * | 3/2000 | Wu | D14/439 |
| D474,185 S * | 5/2003 | Goto | D14/433 |
| D485,562 S * | 1/2004 | Goto | D14/357 |
| D491,189 S * | 6/2004 | Williams | D14/439 |
| D496,039 S * | 9/2004 | Kerrigan | D14/367 |
| D565,573 S * | 4/2008 | Alo | D14/435 |
| D589,517 S * | 3/2009 | Chien | D14/349 |
| D594,009 S * | 6/2009 | Nakano | D14/315 |
| D742,887 S * | 11/2015 | Ignomirello | D14/432 |
| D743,404 S * | 11/2015 | Ignomirello | D14/432 |
| 2004/0017651 A1 * | 1/2004 | Gan | G06F 1/187 361/679.58 |

* cited by examiner

Primary Examiner — Austin Murphy

(74) *Attorney, Agent, or Firm* — PROI Intellectual Property US

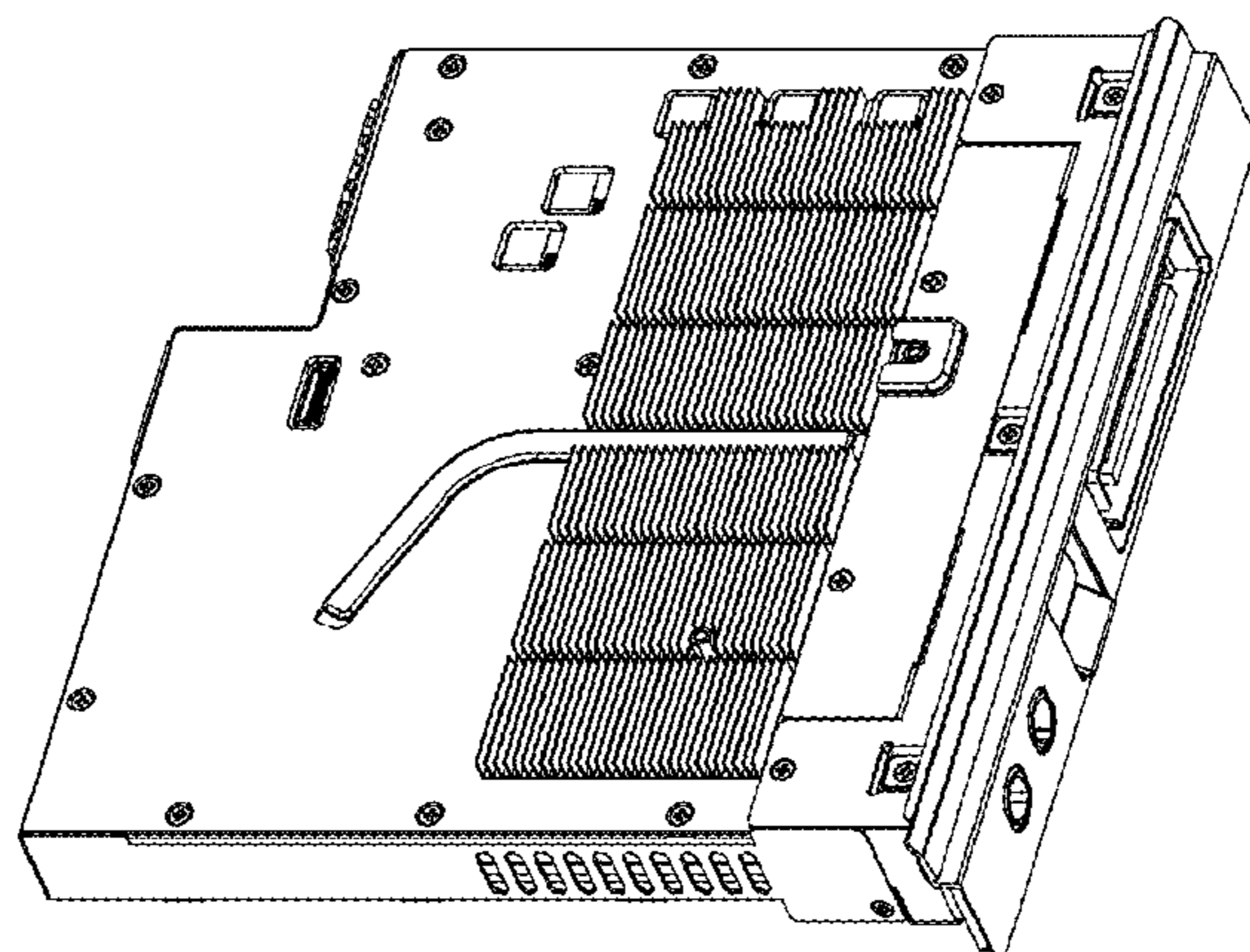
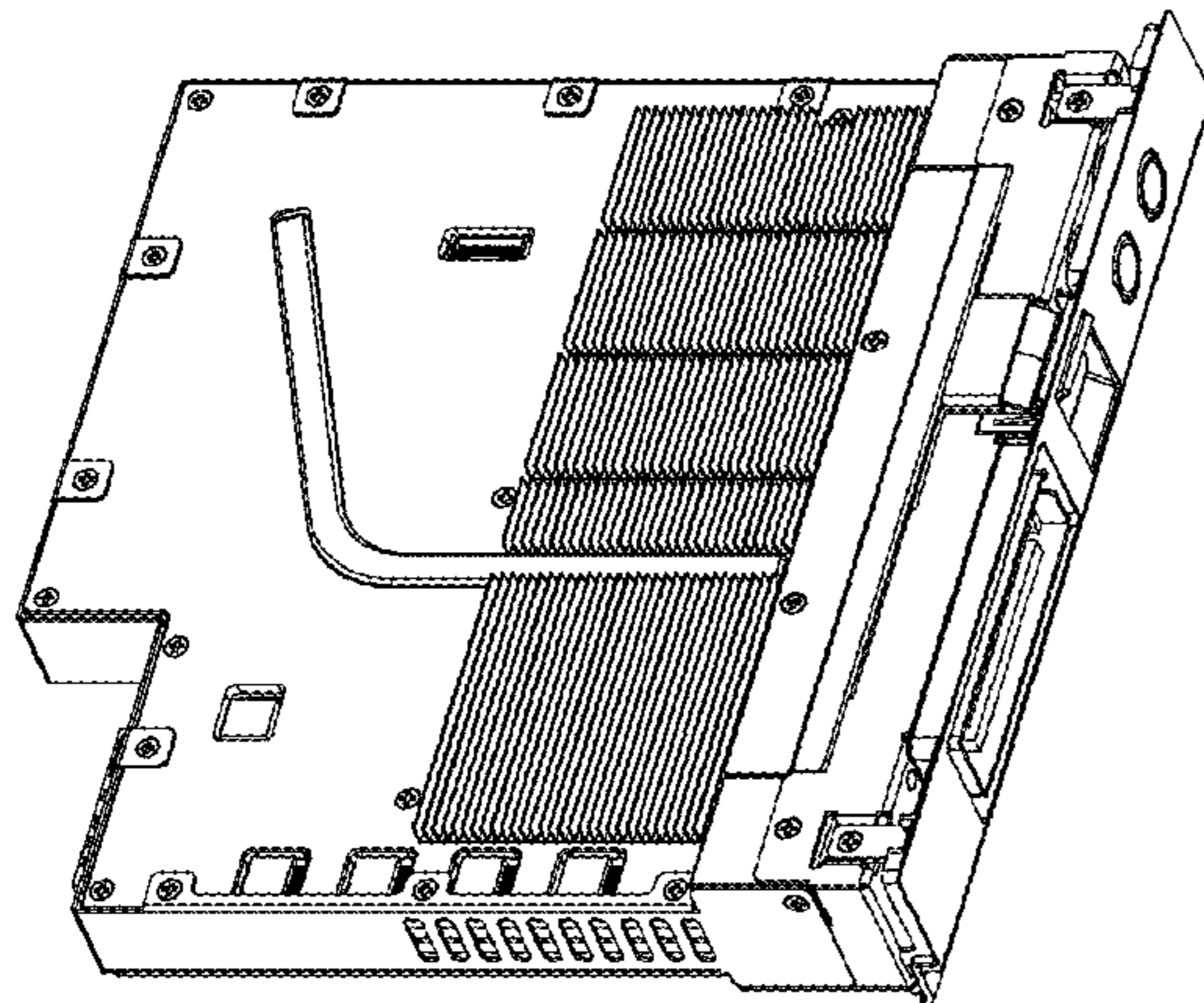
(57) **CLAIM**

The ornamental design for a notebook ultrasonic module, as shown and described.

DESCRIPTION

FIG. 1 is a front side perspective view of a notebook ultrasonic module showing my new design;
FIG. 2 is another side perspective view thereof;
FIG. 3 is a front elevational view thereof;
FIG. 4 is a rear elevational view thereof;
FIG. 5 is a left side elevational view thereof;
FIG. 6 is a right side elevational view thereof;
FIG. 7 is a top plan view thereof; and,
FIG. 8 is a bottom plan view thereof.

1 Claim, 6 Drawing Sheets



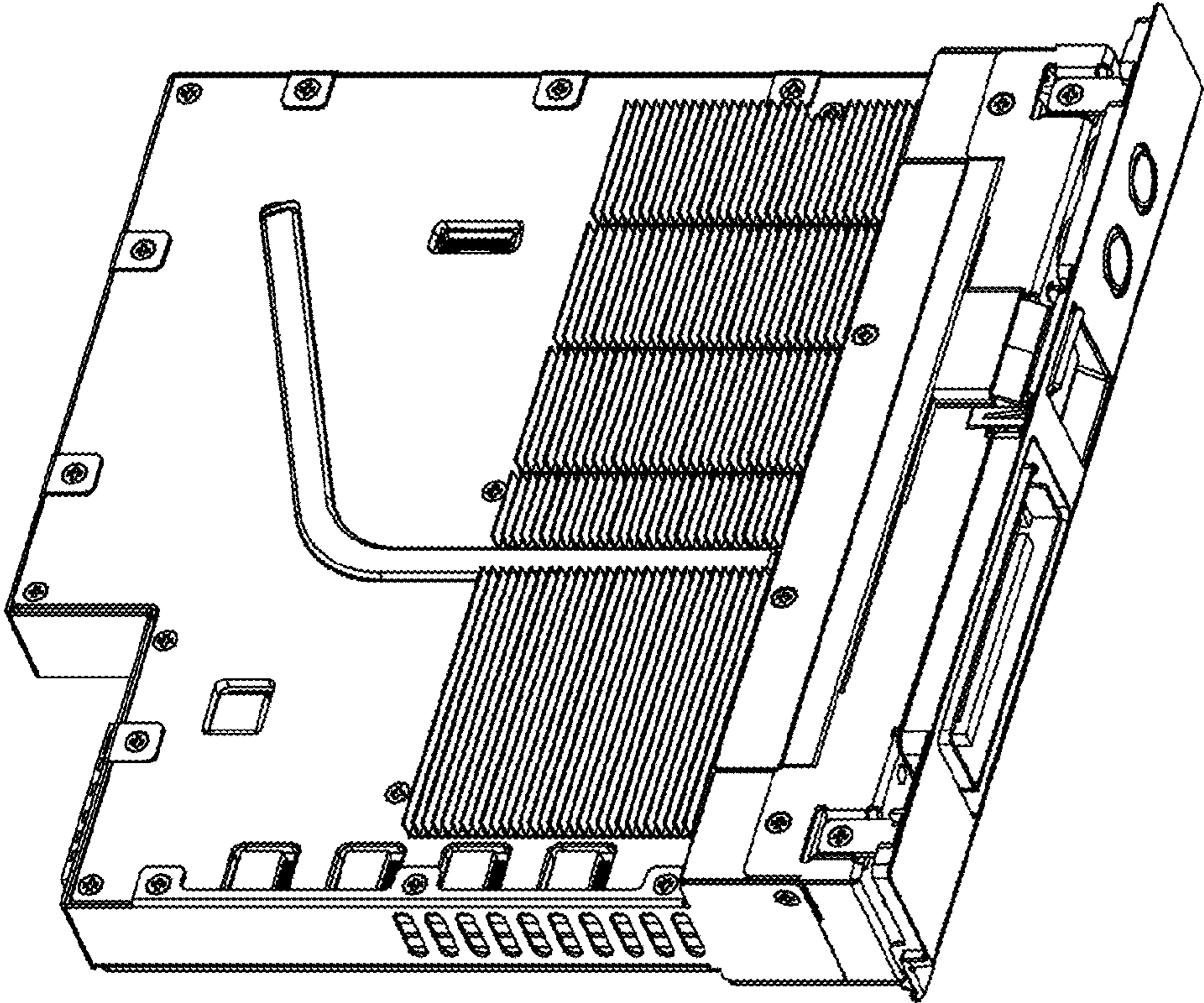


FIG.1

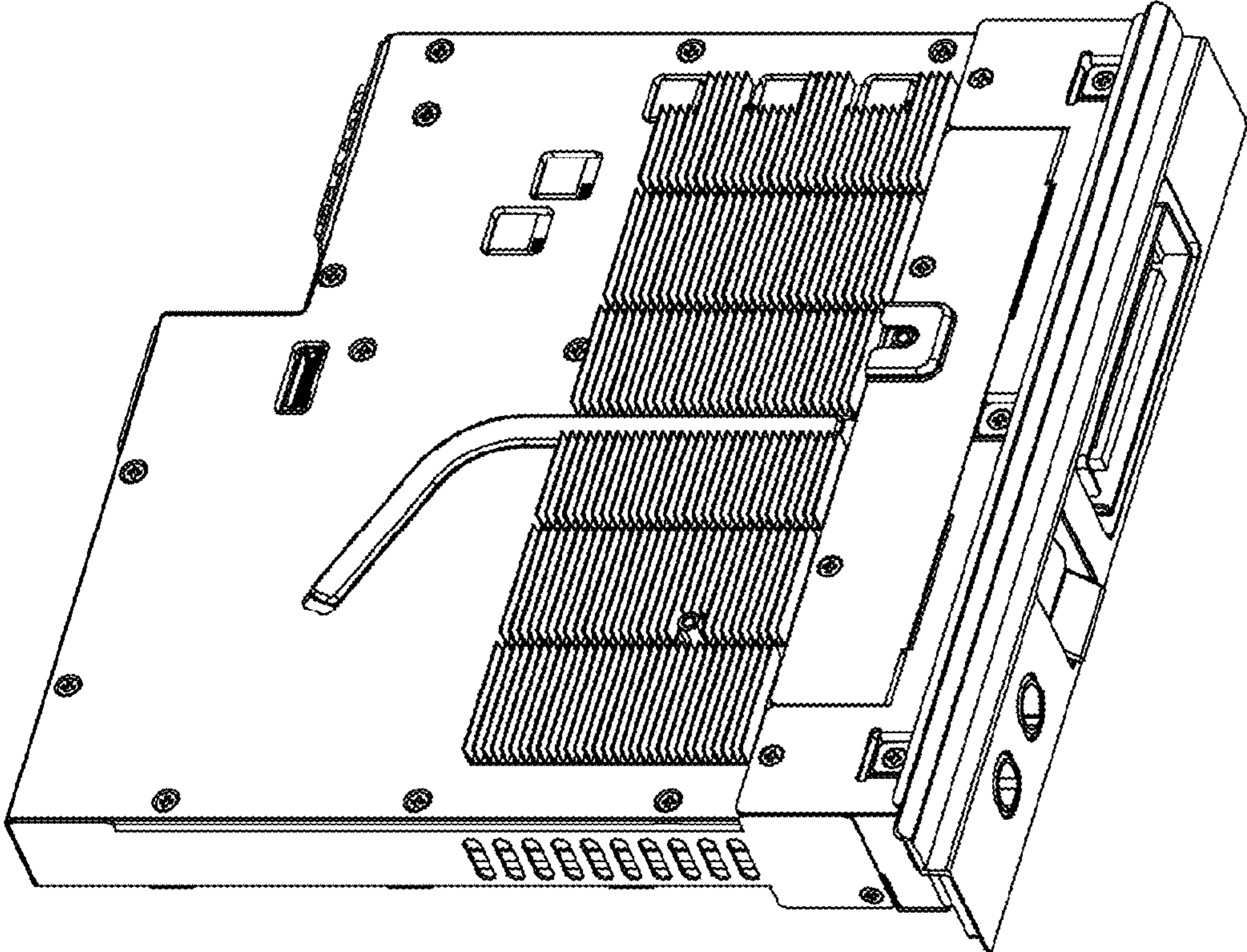


FIG.2

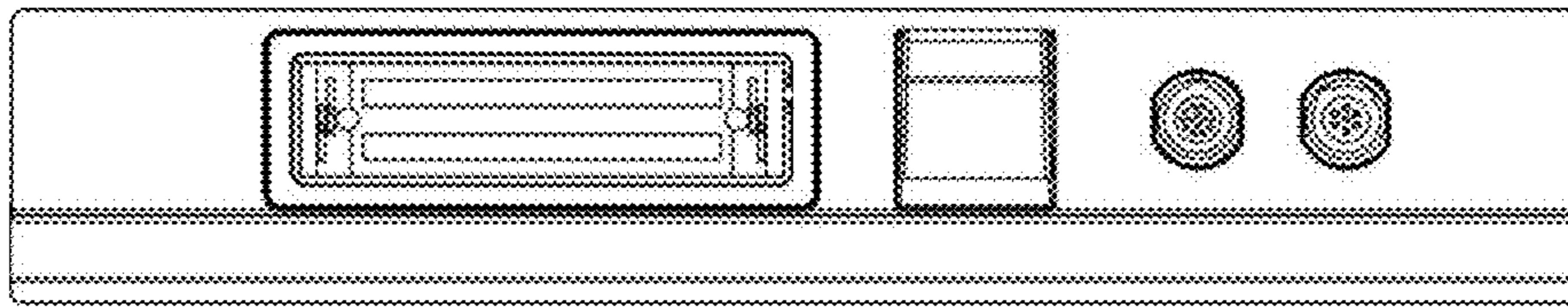


FIG. 3

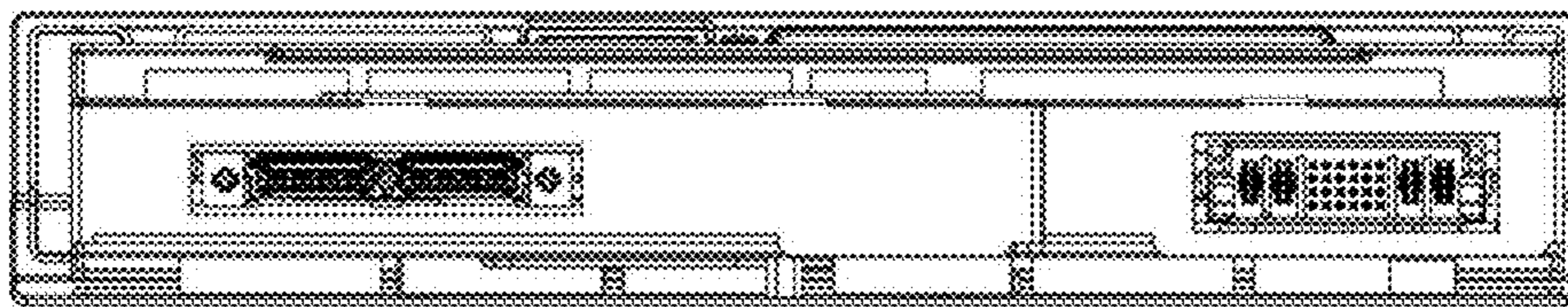


FIG. 4

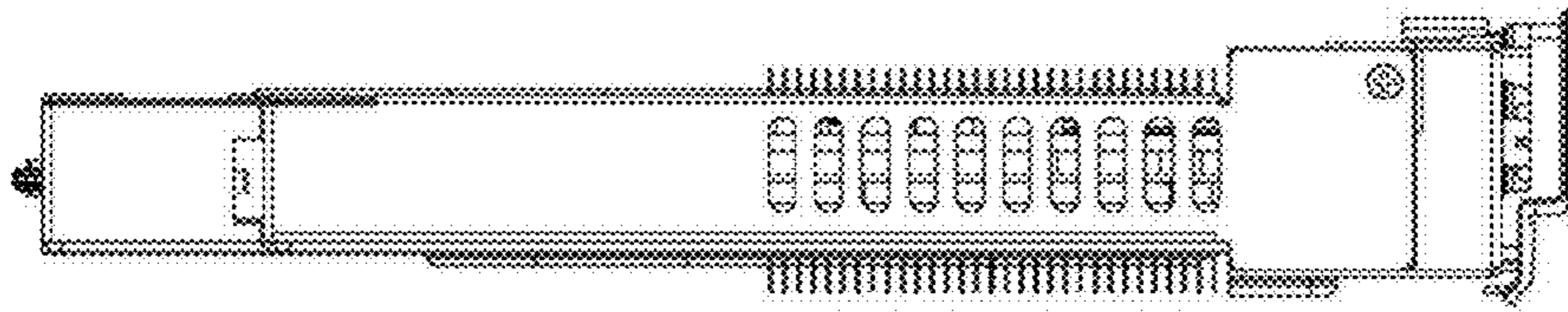


FIG.5

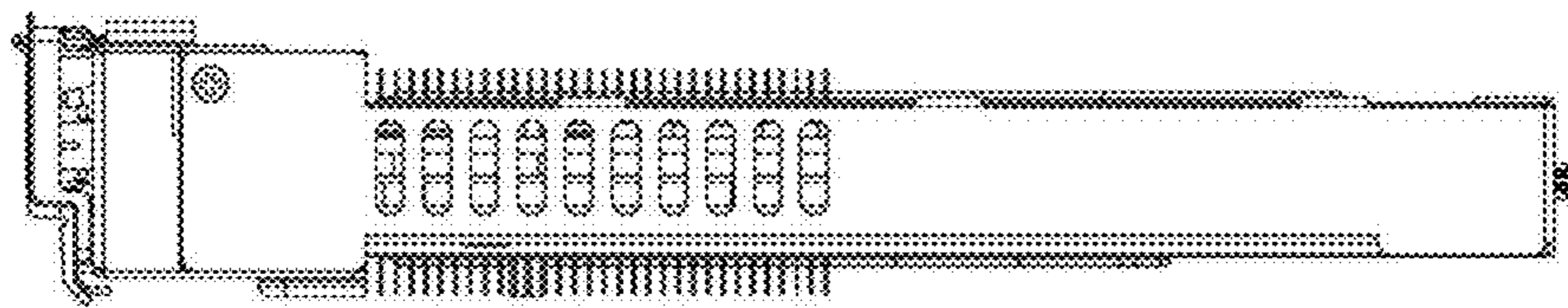


FIG.6

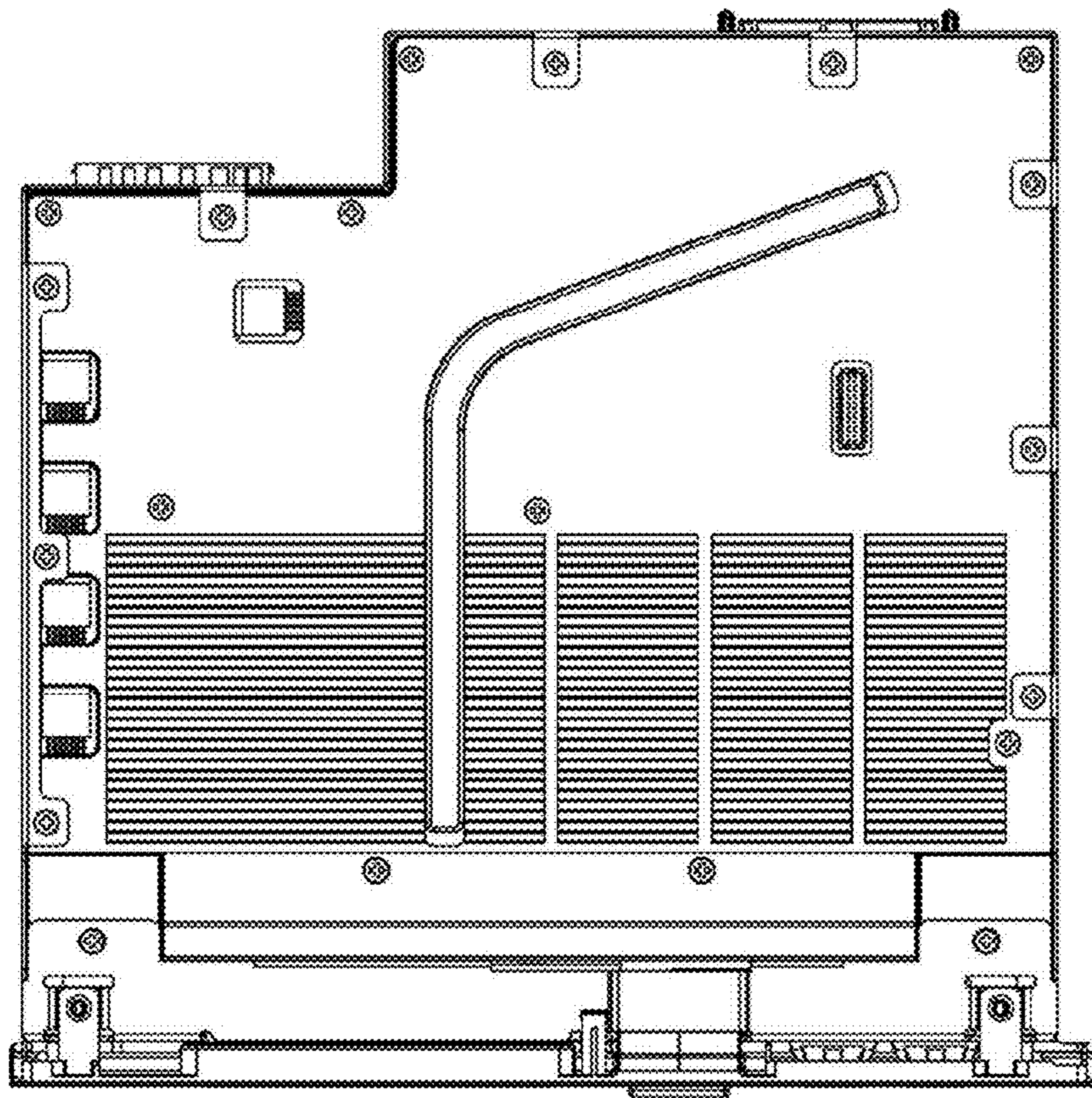


FIG.7

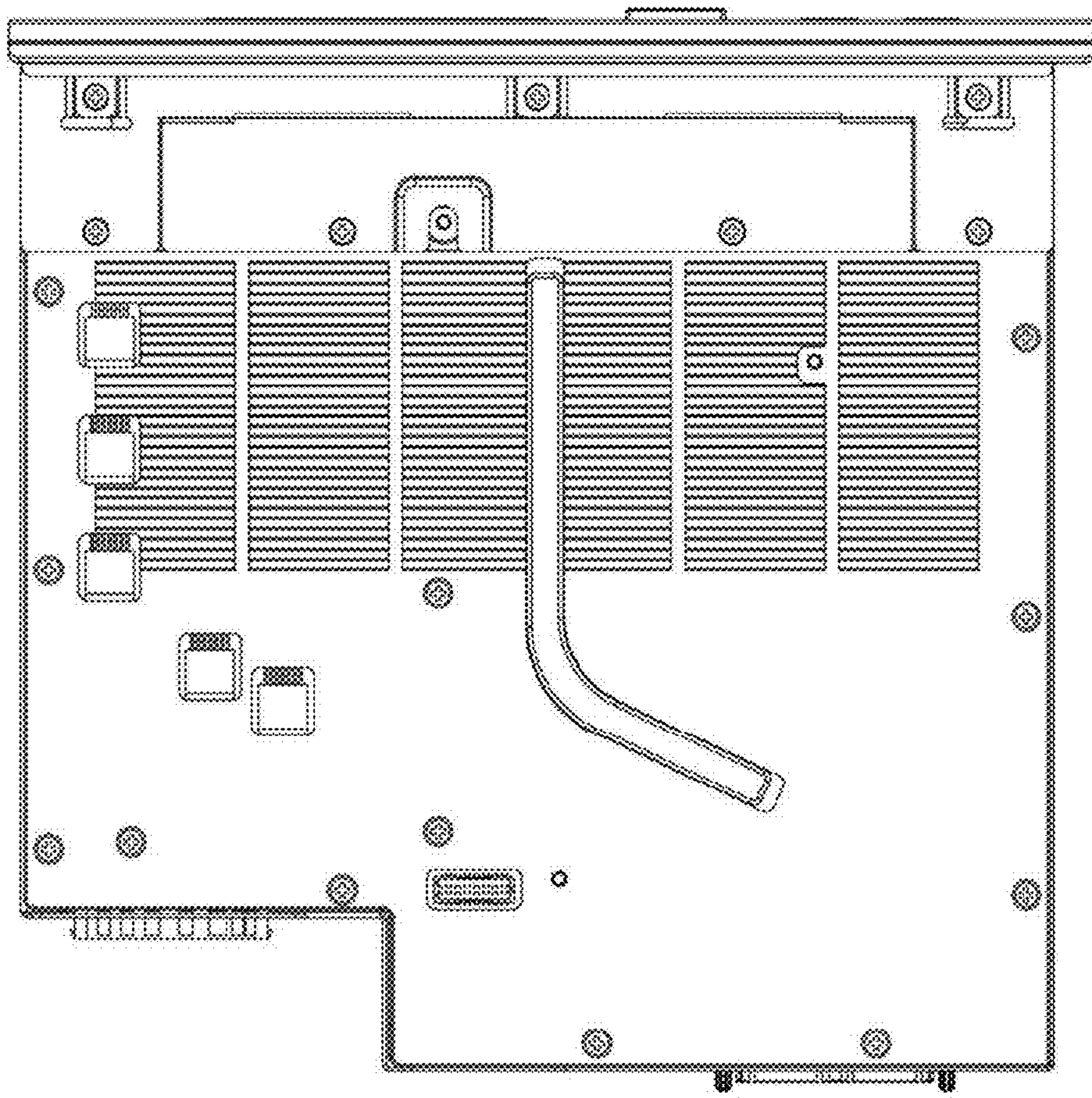


FIG.8