



US00D754663S

(12) **United States Design Patent**
Graves et al.

(10) **Patent No.:** **US D754,663 S**
(45) **Date of Patent:** **** Apr. 26, 2016**

(54) **HANDHELD SCANNER**

(71) Applicant: **Contract Datascan, LP**, Carrollton, TX (US)

(72) Inventors: **Christopher Carter Graves**, Dallas, TX (US); **Kevin Wayne Arnold**, Forth Worth, TX (US); **Shaun Charles Crossman**, Mansfield Birsbane Queensland (AU); **Mark Ashley Gilroy**, Sinnamon Park Brisbane Queensland (AU)

(73) Assignee: **Contract Datascan, LP**, Carrollton, TX (US)

(**) Term: **14 Years**

(21) Appl. No.: **29/518,042**

(22) Filed: **Feb. 19, 2015**

(51) **LOC (10) Cl.** **14-02**

(52) **U.S. Cl.**
USPC **D14/426**; D14/429

(58) **Field of Classification Search**
USPC D14/420, 426-430, 453, 346, 341, 347, D14/412, 138; D13/107, 184; 358/473; 235/462.43, 462.45, 462.47, 462.48, 235/462.44, 462.46, 487, 472.01, 472.02, 235/145 A, 145 R; D10/78; 324/426; D3/273; 710/73; D18/7; 361/679, 728, 361/679.56; 382/313, 321; 455/575.1, 561, 455/572; 345/156, 168, 169, 172, 173, 87; 705/17, 18, 22-25

CPC G06F 1/626; G06F 1/1626; G06F 1/1656; G06F 1/1632; G06F 1/1684; G06F 1/1635; G06F 8/63; G06F 17/30091; G06F 9/4401; G06K 7/10881; G06K 7/1098; G06K 7/10722; G06K 7/1404; G06K 7/0004; G06K 7/10633; G06K 7/10851; G06K 7/1091; G06K 7/1092; G06K 7/1093; G06K 7/10; G06K 7/109; G06K 7/1417; G06K 9/228; G06K 17/0022; G06K 17/00; G06K 2207/1011; G06K 2207/1013; G06K 2207/1016; G06K

2207/1018; G06K 2017/0051; G06K 2017/0067; G06K 2007/10524; G07G 1/0081; G07G 1/009; G06Q 20/20; G06Q 20/201; G06Q 2/202; G06Q 20/203; G06Q 20/30; G06Q 20/32; G06Q 20/322; G06Q 20/4014; G06Q 10/087; H04N 1/00127; H04N 1/00135; H04N 1/00326; H04N 1/00334; H04N 1/00307; H04N 1/107; H04N 2201/0084; H04N 2101/00; H04M 1/0249; H04M 1/0262; H04M 1/0266; H04M 1/18; H04M 1/23; H04M 1/236; H04M 2/1066; H04B 1/3827; H04B 1/3833; H04B 1/3877; H04B 1/3883; H04B 1/3888; H04B 2001/3894

See application file for complete search history.

(56) **References Cited**

U.S. PATENT DOCUMENTS

D439,898 S * 4/2001 Ober D14/347
D456,806 S * 5/2002 Ahearn D14/347
D462,357 S * 9/2002 Jenkins D14/347
D463,425 S * 9/2002 Jenkins D14/138 R

(Continued)

Primary Examiner — Susan Moon Lee

(74) *Attorney, Agent, or Firm* — Klemchuk LLP; Kirby B. Drake

(57) **CLAIM**

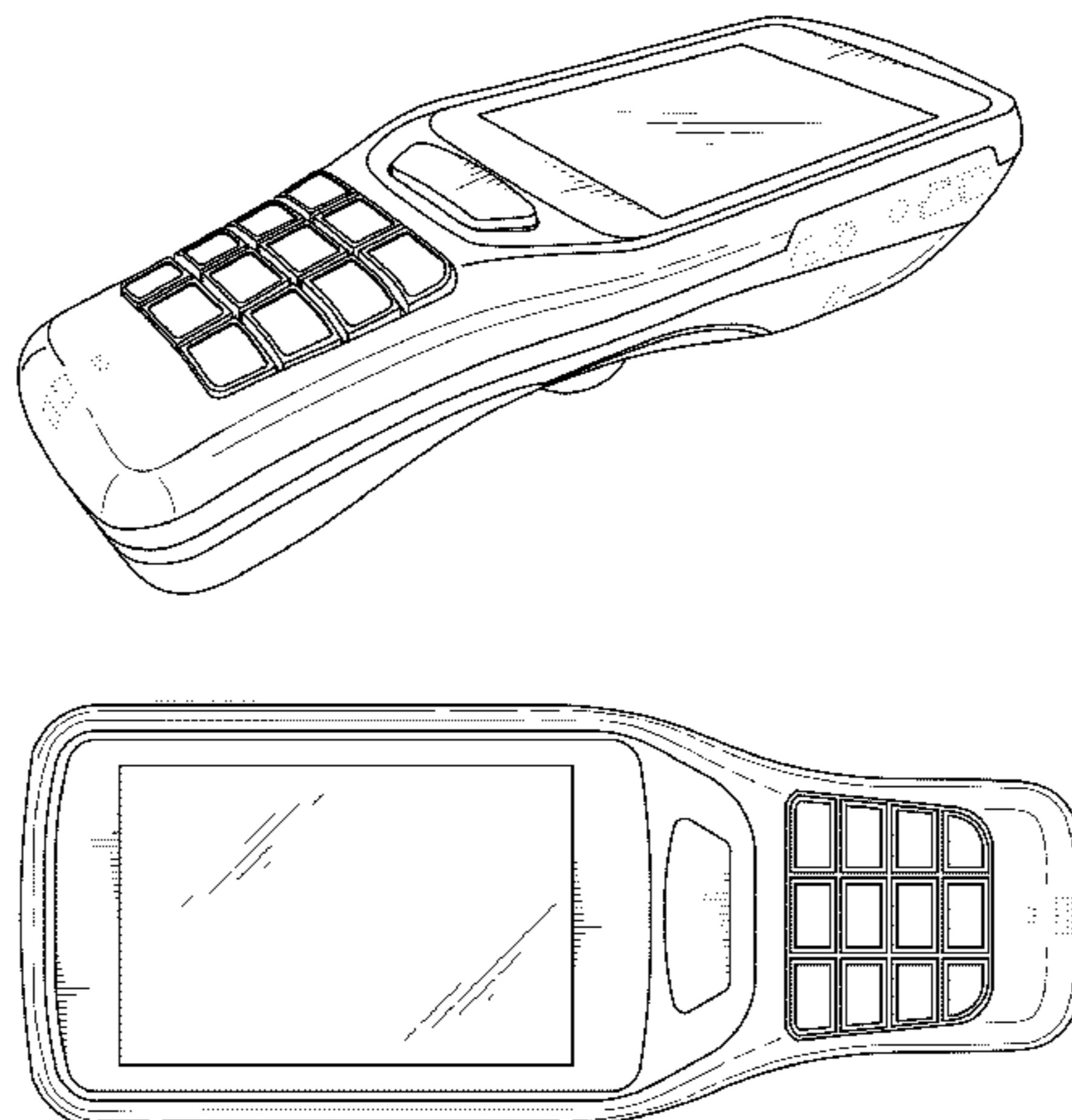
The ornamental design for a handheld scanner, as shown and described.

DESCRIPTION

FIG. 1 is a perspective view of the handheld scanner in accordance with the new design;
FIG. 2 is a top view thereof;
FIG. 3 is a bottom view thereof;
FIG. 4 is a right side view thereof;
FIG. 5 is a left side view thereof;
FIG. 6 is a top view thereof; and,
FIG. 7 is a bottom view thereof.

The broken line illustrations of connection ports, speakers and grating in the Figures form no part of the claimed design.

1 Claim, 4 Drawing Sheets



(56)

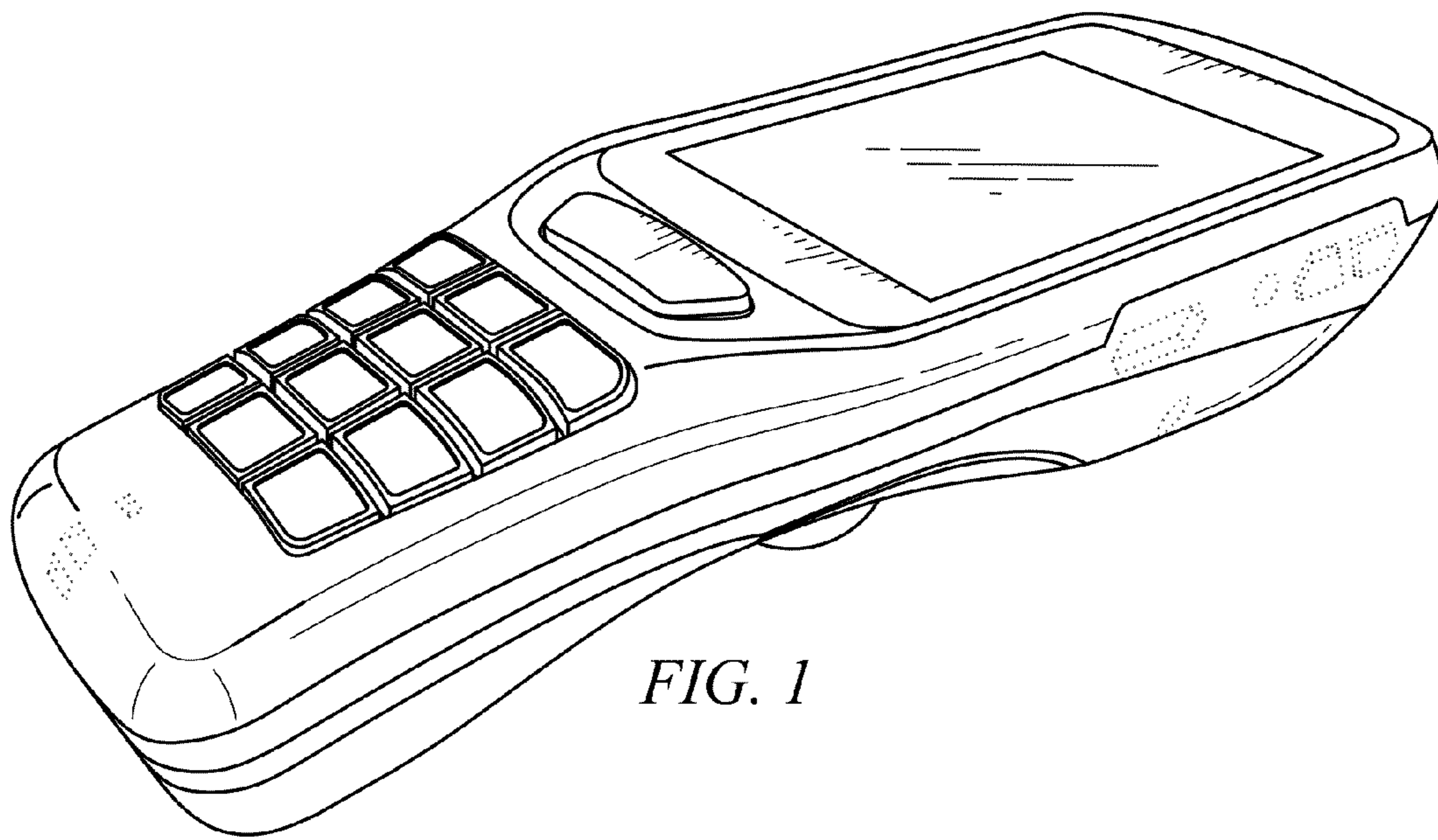
References Cited

U.S. PATENT DOCUMENTS

D473,872 S * 4/2003 Ausems D14/420
 D505,422 S * 5/2005 Kakizaki D14/347
 7,050,009 B2 * 5/2006 Chirila H01Q 1/243
 343/700 MS
 D538,292 S * 3/2007 Croley D14/453
 D558,776 S * 1/2008 Croley D14/453
 D560,223 S * 1/2008 Morris D14/453
 7,401,162 B2 * 7/2008 Baker H01L 69/18
 709/250
 D575,287 S * 8/2008 Miyashita D14/426
 D599,798 S * 9/2009 Fitch D14/426
 D611,943 S * 3/2010 Boyd D14/346
 D613,290 S * 4/2010 Arnold D14/426
 D614,626 S * 4/2010 Dai D14/426
 7,712,670 B2 * 5/2010 Sauerwein, Jr. G06Q 10/083
 235/383
 D619,138 S * 7/2010 Ingold D14/426
 D622,726 S * 8/2010 Alegiani D14/426
 D629,001 S * 12/2010 Palmer D14/426

D638,422 S * 5/2011 Reed D14/347
 D677,663 S * 3/2013 Minafo D14/426
 8,608,075 B2 * 12/2013 Tanimoto G06K 7/10811
 235/462.23
 D716,306 S * 10/2014 Park D14/426
 D716,307 S * 10/2014 Paufler D14/426
 2005/0279832 A1 * 12/2005 Kobayashi G06K 7/1095
 235/462.07
 2011/0020835 A1 * 1/2011 Koopman G01J 3/28
 435/7.1
 2011/0163166 A1 * 7/2011 Wang G06K 7/10722
 235/472.01
 2011/0220719 A1 * 9/2011 Ogawa G06K 7/10712
 235/437
 2011/0263270 A1 * 10/2011 Roy G01S 19/17
 455/456.1
 2013/0038274 A1 * 2/2013 Forsythe H02J 7/0004
 320/107
 2013/0341399 A1 * 12/2013 Xian G06K 7/1098
 235/449
 2014/0039693 A1 * 2/2014 Havens H01R 43/002
 700/280

* cited by examiner



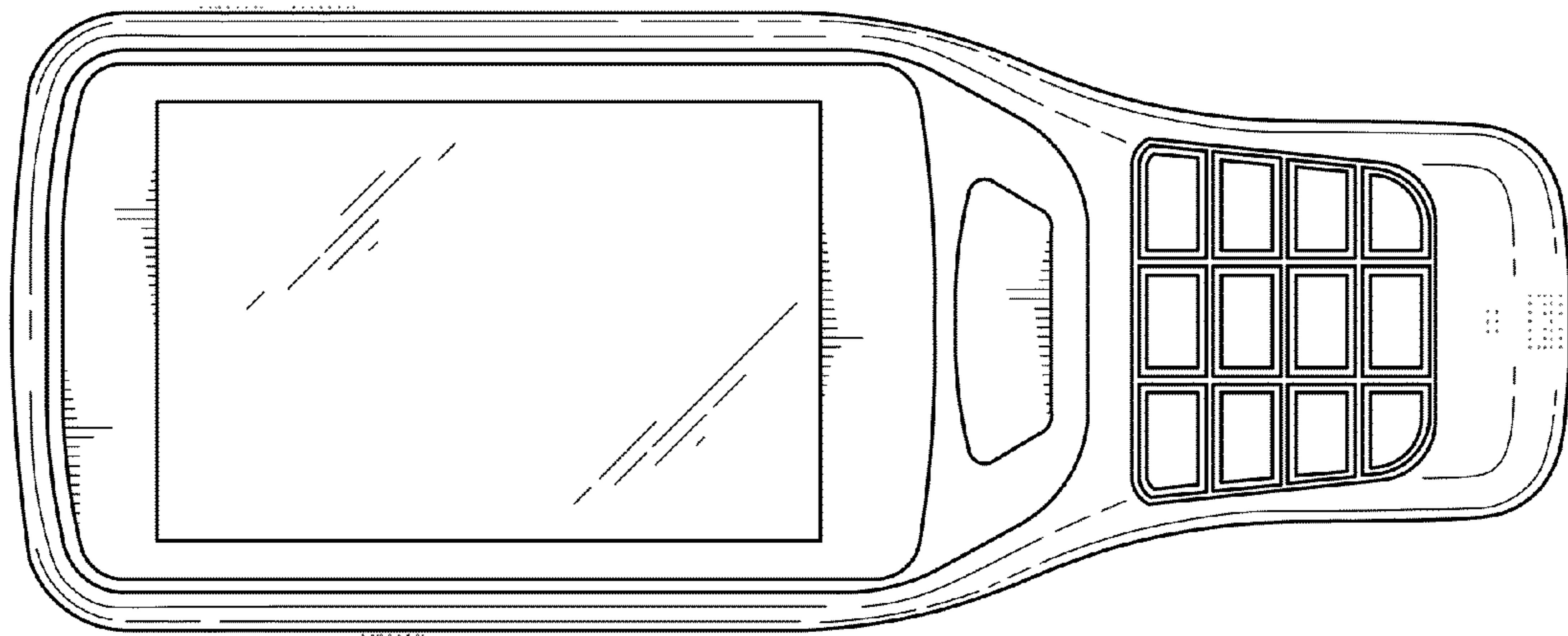


FIG. 2

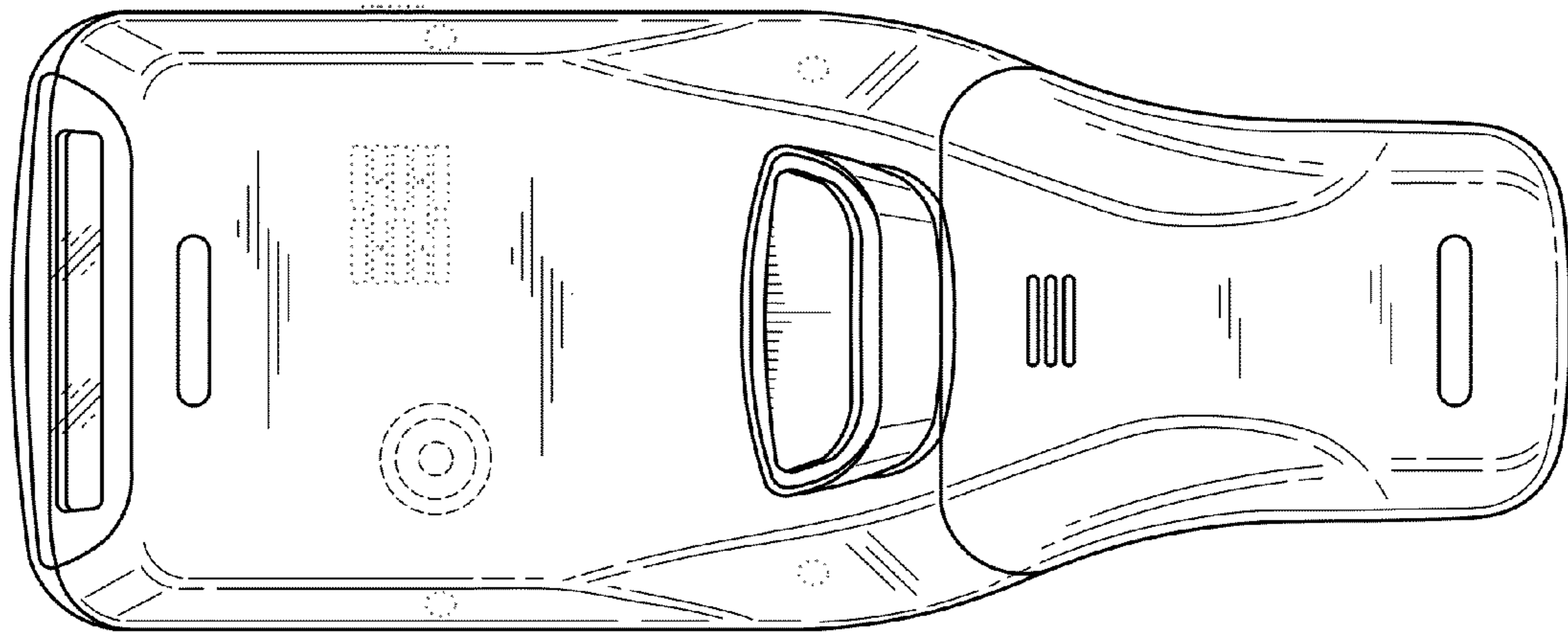


FIG. 3

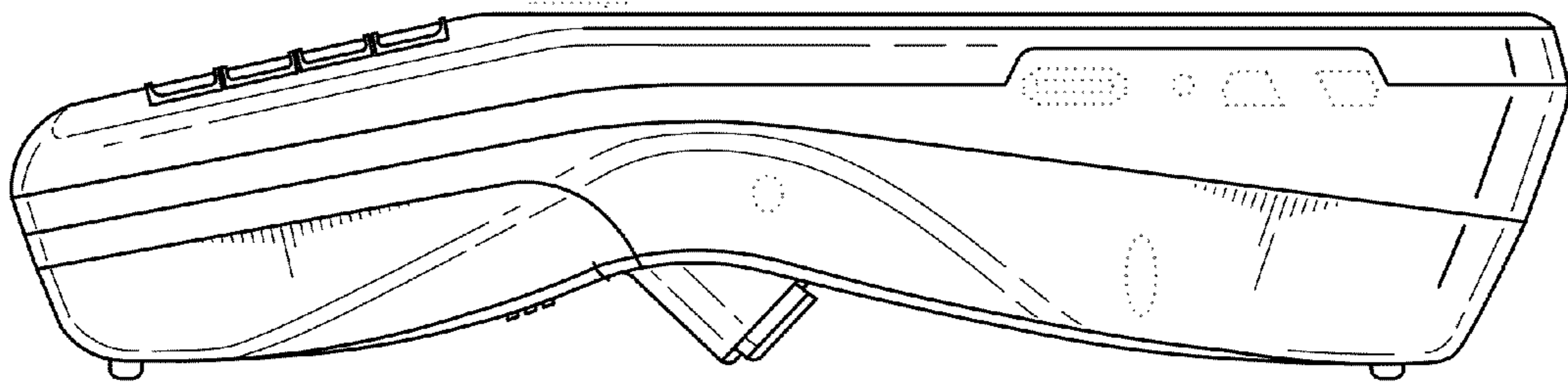


FIG. 4

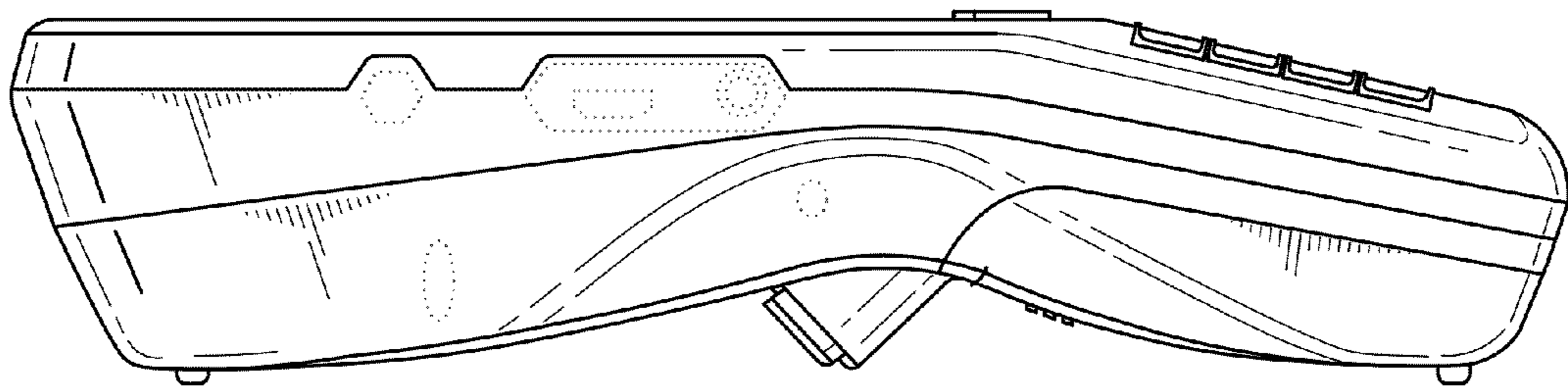


FIG. 5

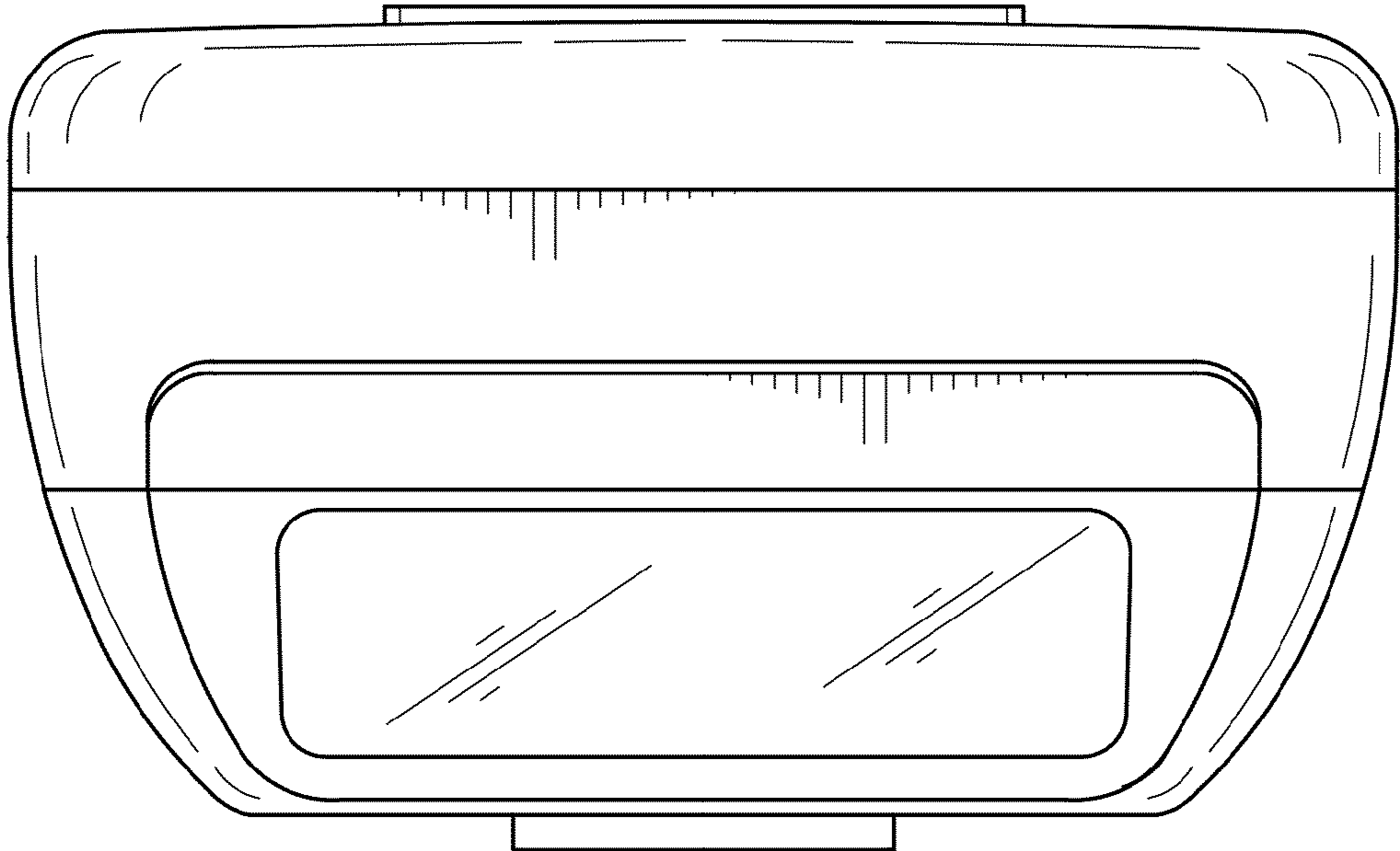


FIG. 6

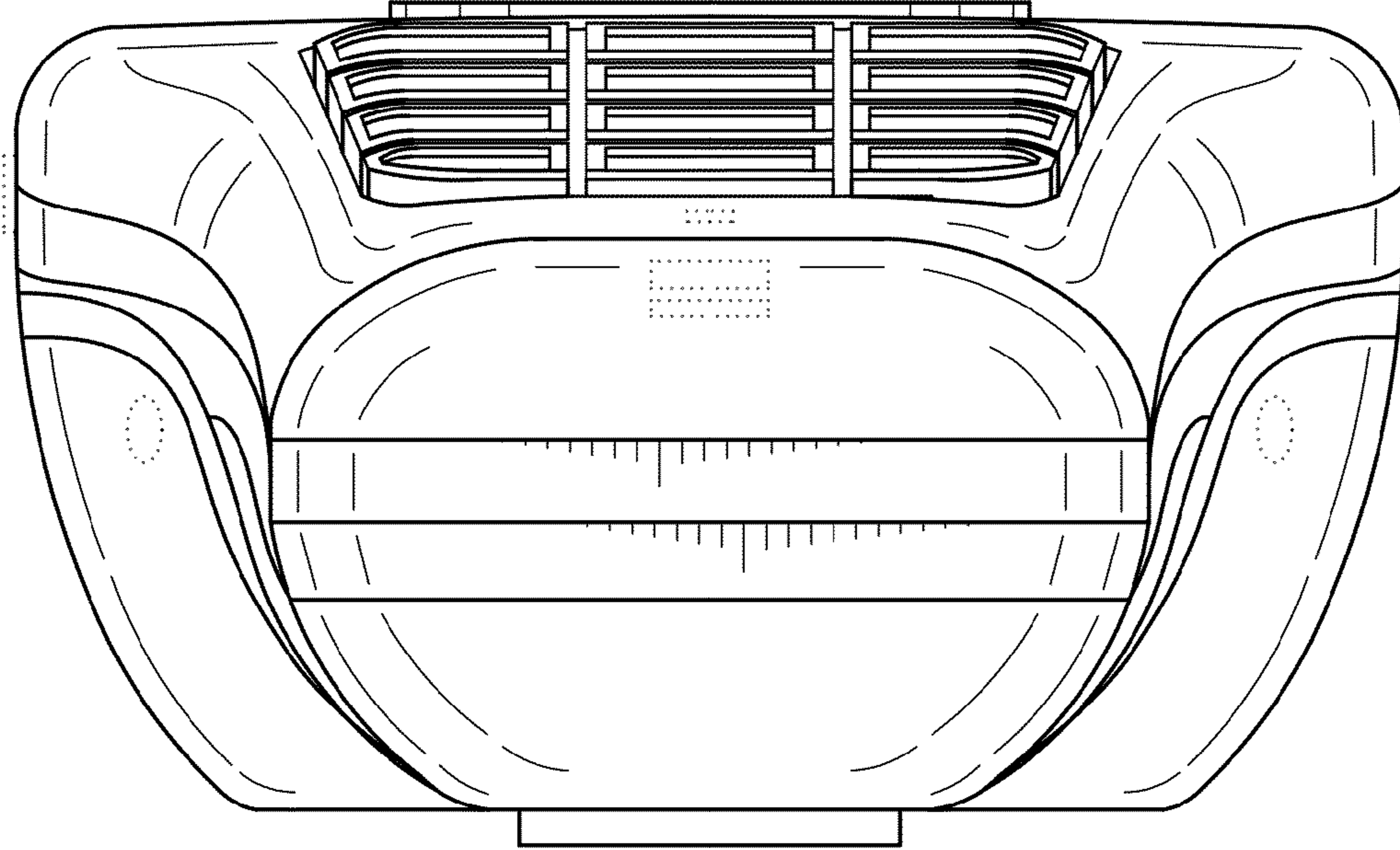


FIG. 7