



US00D754661S

(12) **United States Design Patent**  
**Nishizawa**

(10) **Patent No.:** **US D754,661 S**  
(45) **Date of Patent:** **\*\* Apr. 26, 2016**

(54) **COORDINATE INPUT INSTRUMENT WITH CAP**

(71) Applicant: **Wacom Co., Ltd.**, Kazo-shi, Saitama (JP)

(72) Inventor: **Naoya Nishizawa**, Setagaya-ku (JP)

(73) Assignee: **Wacom Co., Ltd.**, Kazo-shi (JP)

(\*\*) Term: **14 Years**

(21) Appl. No.: **29/503,737**

(22) Filed: **Sep. 29, 2014**

(30) **Foreign Application Priority Data**

Mar. 31, 2014 (JP) ..... 2014-006887

(51) **LOC (10) Cl.** ..... **14-02**

(52) **U.S. Cl.**  
USPC ..... **D14/411**

(58) **Field of Classification Search**

USPC ..... D14/372, 496, 432, 371, 125, 126, 129,  
D14/299, 411; D16/300-342; 351/158, 153,  
351/144; 345/7-9, 905; 455/344; 348/115,  
348/53, 121, 739  
CPC ..... G02B 27/017; G06F 3/016; G06F 3/033;  
G06F 3/0317; G06F 3/03545; G06F 3/041;  
G06K 9/222

See application file for complete search history.

(56) **References Cited**

**U.S. PATENT DOCUMENTS**

D611,476 S \* 3/2010 Busri ..... D14/411  
D614,623 S \* 4/2010 Crisp et al. .... D14/411  
D634,747 S \* 3/2011 Wong et al. .... D14/411  
D663,301 S \* 7/2012 Lien ..... D14/411  
D669,898 S \* 10/2012 Nakata ..... D14/411  
D670,700 S \* 11/2012 Halsinger et al. .... D14/411

(Continued)

**FOREIGN PATENT DOCUMENTS**

JP D1384580 S 4/2010

*Primary Examiner* — Austin Murphy

(74) *Attorney, Agent, or Firm* — Christensen O'Connor Johnson Kindness PLLC

(57) **CLAIM**

The ornamental design for a coordinate input instrument with cap, as shown and described.

**DESCRIPTION**

FIG. 1 is a perspective view of a coordinate input instrument with cap according to a first embodiment of my new design; FIG. 2 is a top plan view of the coordinate input instrument with cap of FIG. 1;

FIG. 3 is a front view of the coordinate input instrument with cap of FIG. 1, the rear view of the coordinate input instrument with cap being mirror symmetrical;

FIG. 4 is a bottom view of the coordinate input instrument with cap of FIG. 1;

FIG. 5 is a left side view of the coordinate input instrument with cap of FIG. 1; and

FIG. 6 is a right side view of the coordinate input instrument with cap of FIG. 1.

FIG. 7 is a perspective view of the coordinate input instrument with cap of FIG. 1, with the cap exploded from the coordinate input instrument;

FIG. 8 is a top plan view of the coordinate input instrument with cap of FIG. 7;

FIG. 9 is a front view of the coordinate input instrument with cap of FIG. 7, the rear view of the coordinate input instrument with cap being mirror symmetrical;

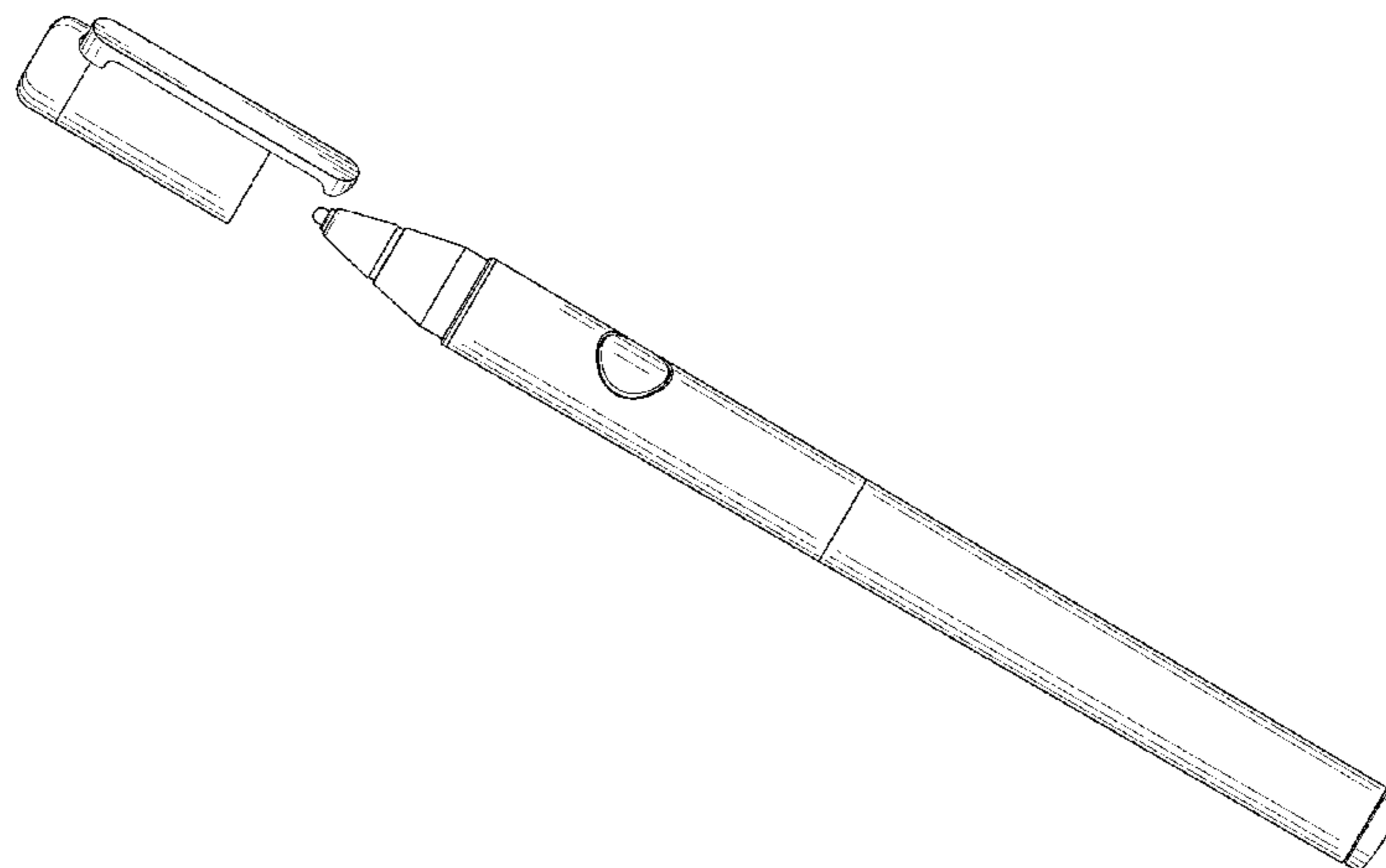
FIG. 10 is a bottom view of the coordinate input instrument with cap of FIG. 7;

FIG. 11 is a left side view of the coordinate input instrument with cap of FIG. 7; and,

FIG. 12 is a right side view of the coordinate input instrument with cap of FIG. 7.

The broken lines show portions of the coordinate input instrument with cap which form no part of the claimed design.

**1 Claim, 6 Drawing Sheets**



(56)

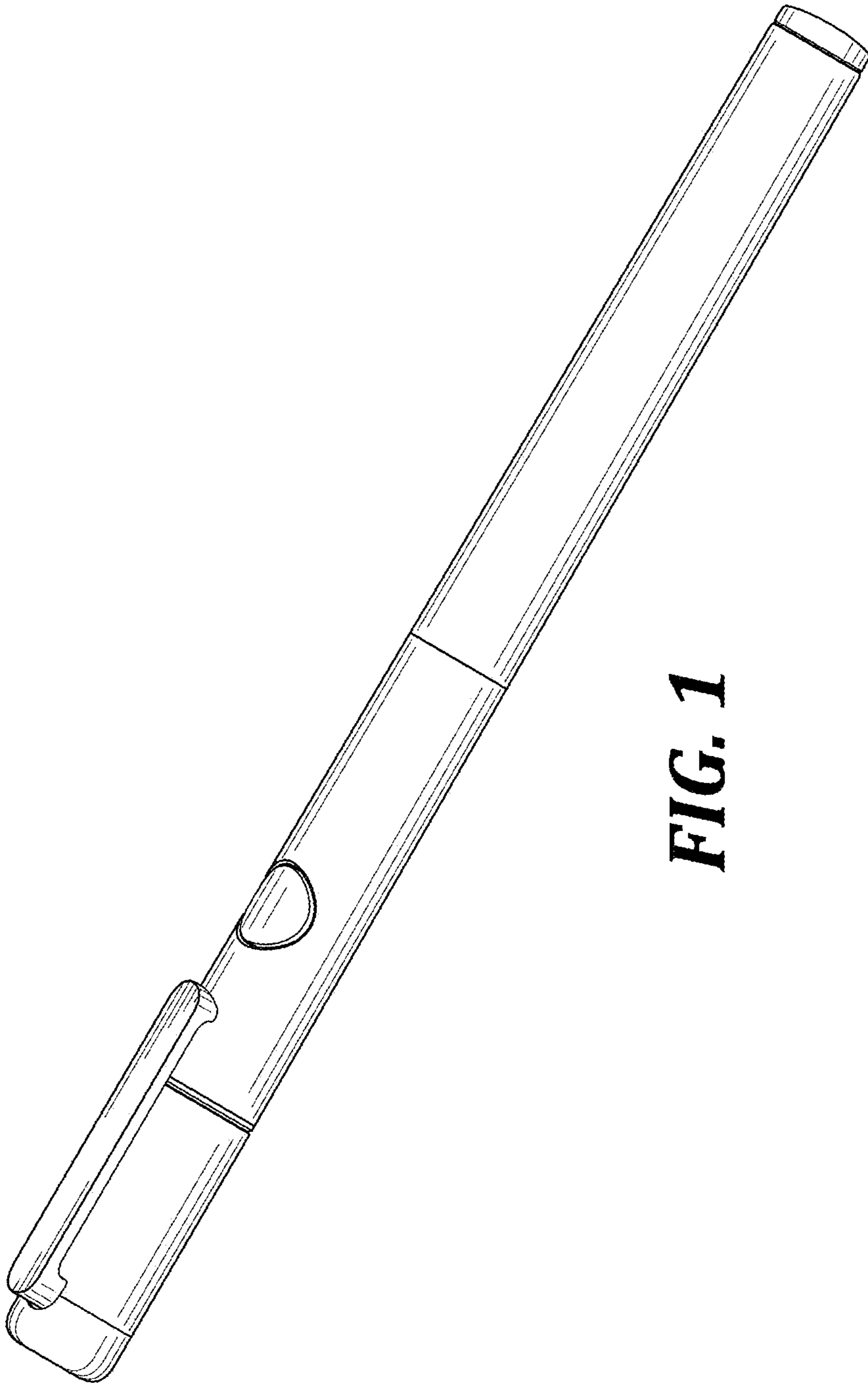
**References Cited**

U.S. PATENT DOCUMENTS

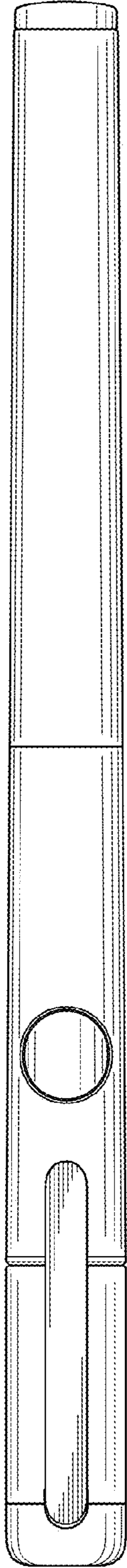
D678,282 S \* 3/2013 Izen et al. .... D14/411  
D682,833 S \* 5/2013 Paschke et al. .... D14/411  
D688,666 S \* 8/2013 Kowari et al. .... D14/411  
D699,723 S \* 2/2014 Nishizawa .... D14/411

D708,617 S \* 7/2014 Nakata ..... D14/411  
D709,886 S \* 7/2014 Lin ..... D14/411  
D715,297 S \* 10/2014 Li ..... D14/411  
D717,301 S \* 11/2014 Groene et al. .... D14/411  
D717,798 S \* 11/2014 Groene et al. .... D14/411  
D718,312 S \* 11/2014 Boisdevesys ..... D14/411  
D724,086 S \* 3/2015 Schoenert et al. .... D14/411

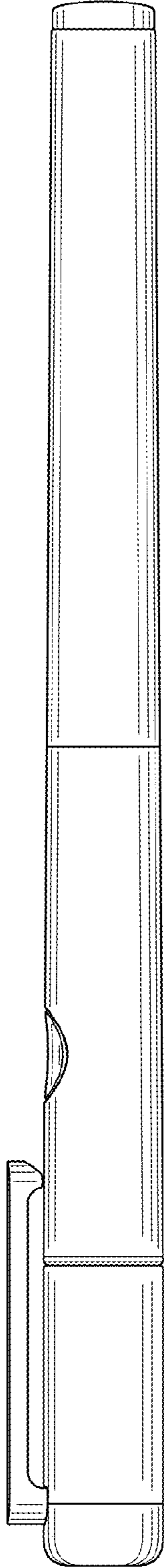
\* cited by examiner



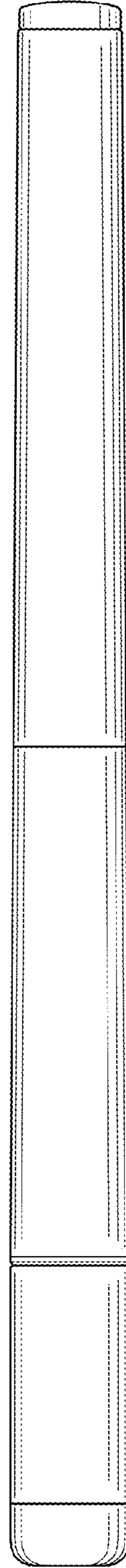
**FIG. 1**



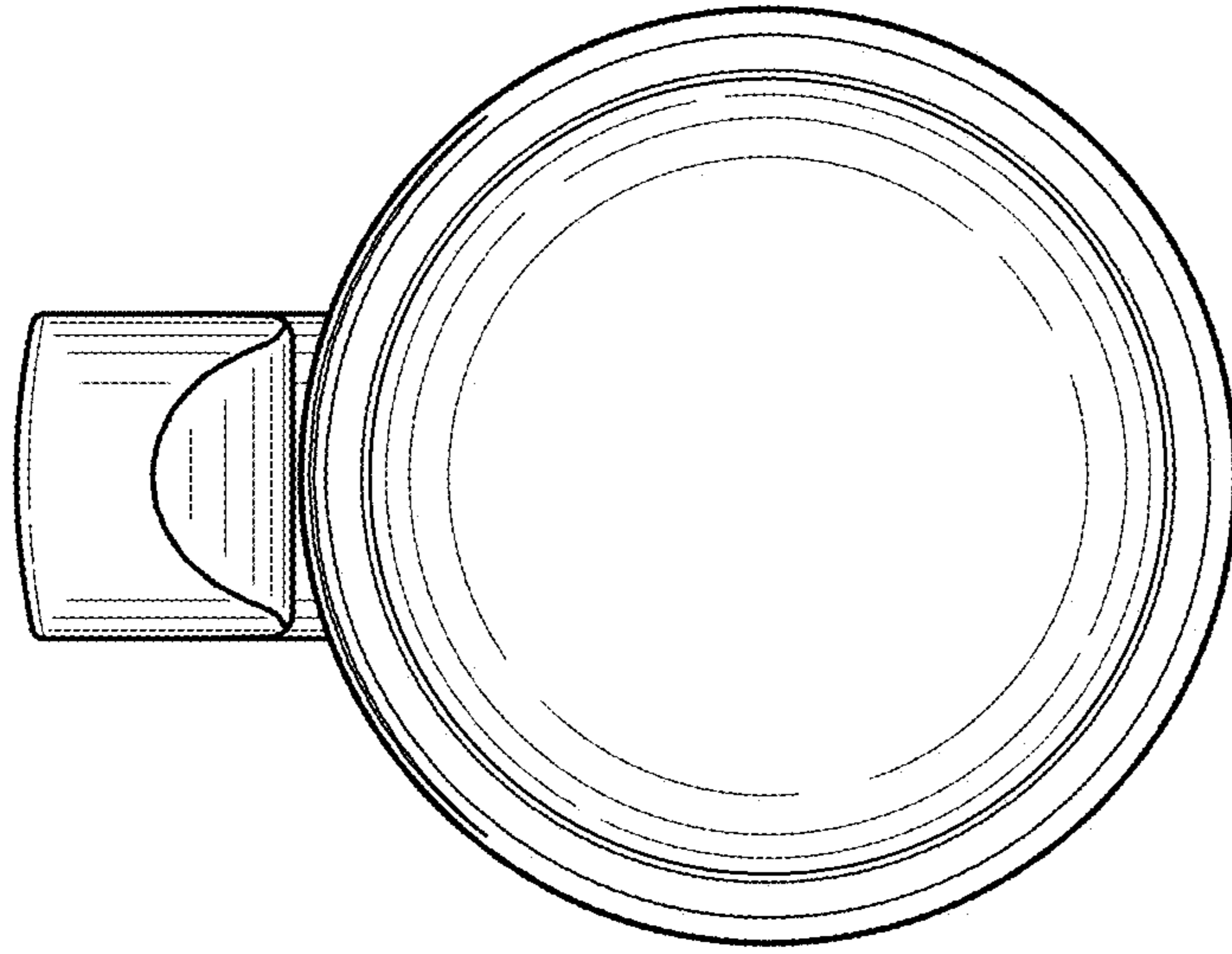
**FIG. 2**



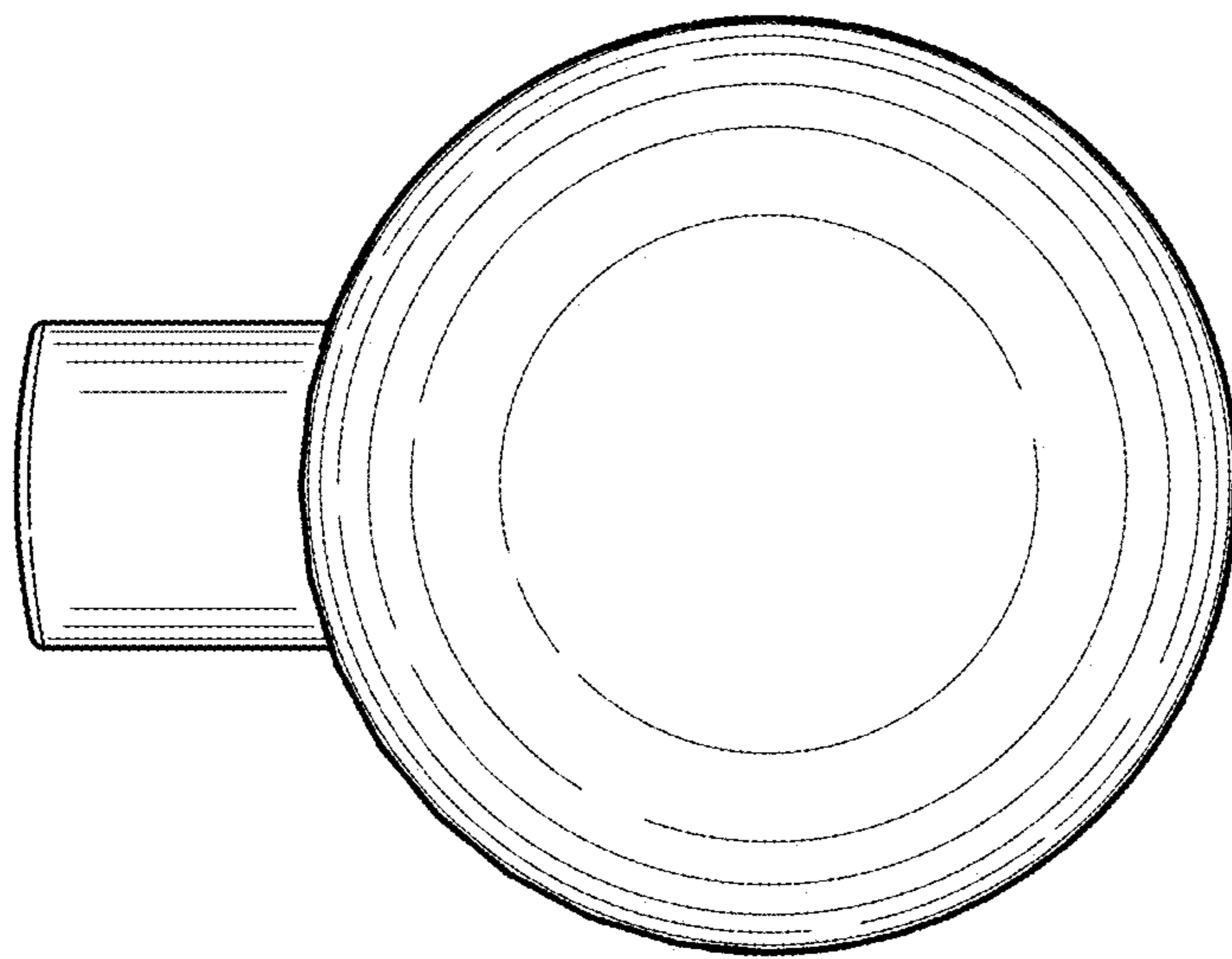
**FIG. 3**



**FIG. 4**

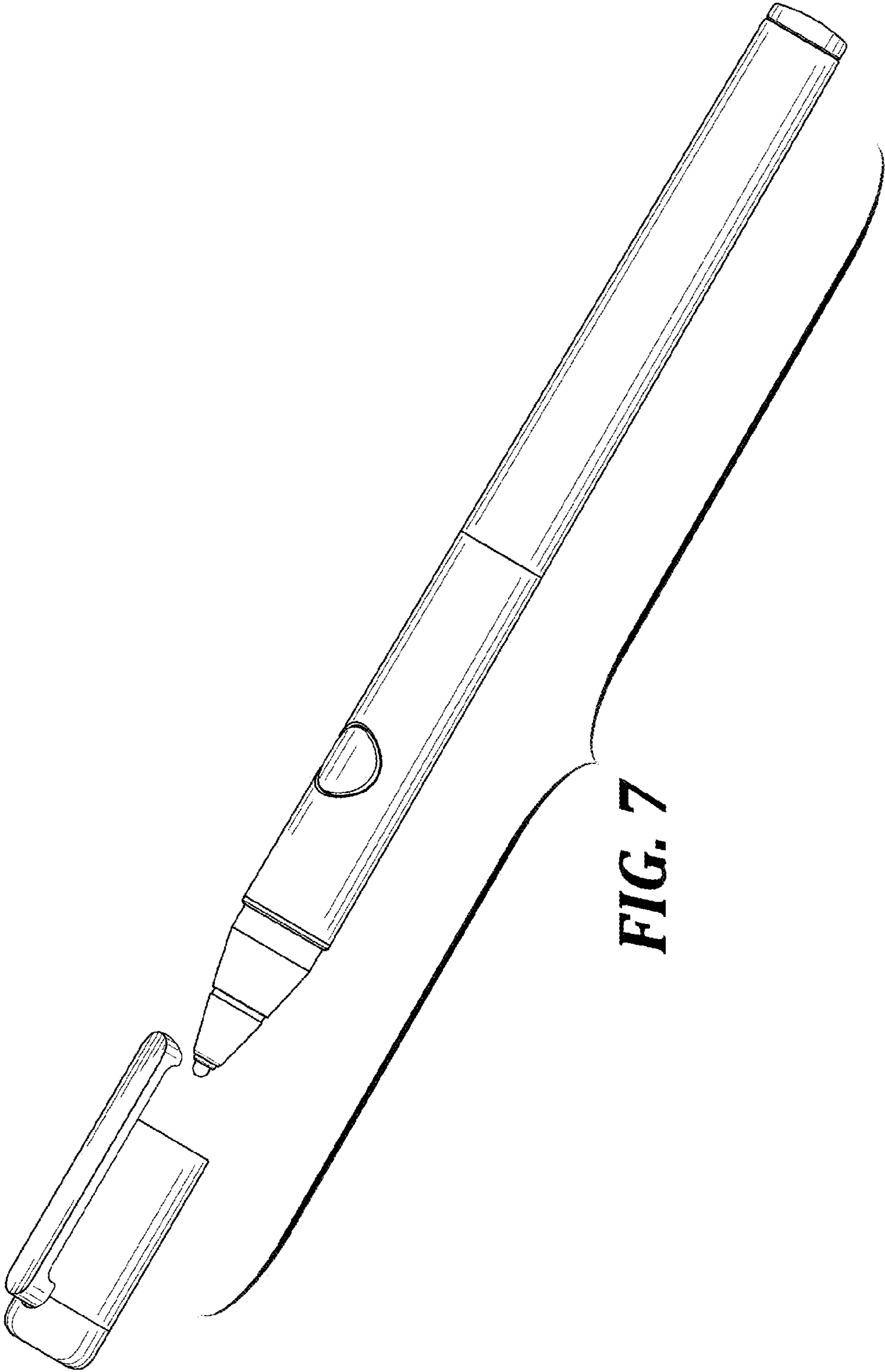


**FIG. 6**

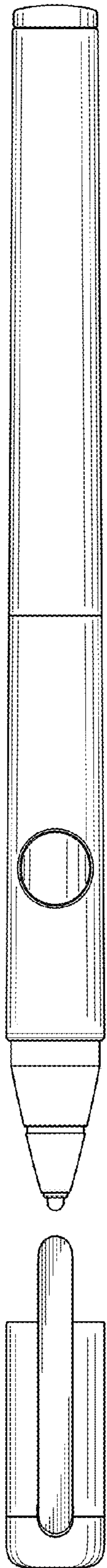


**FIG. 5**

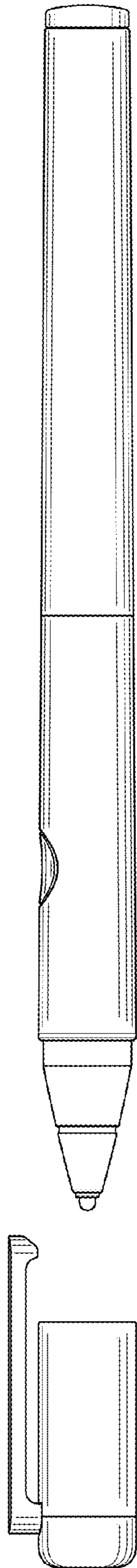




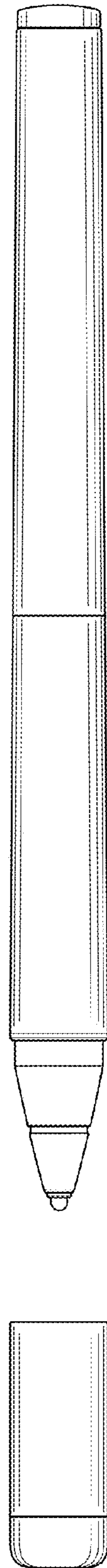
**FIG. 7**



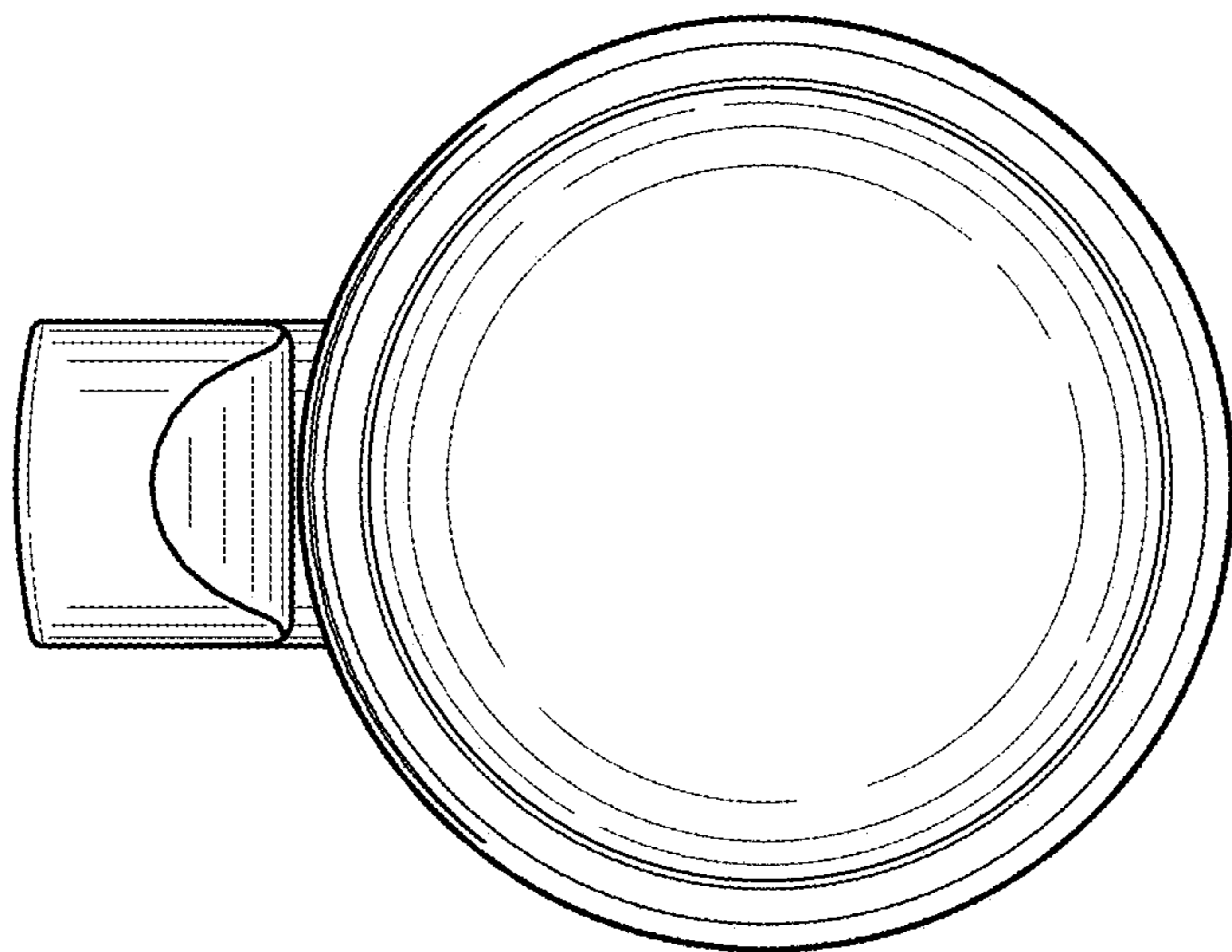
**FIG. 8**



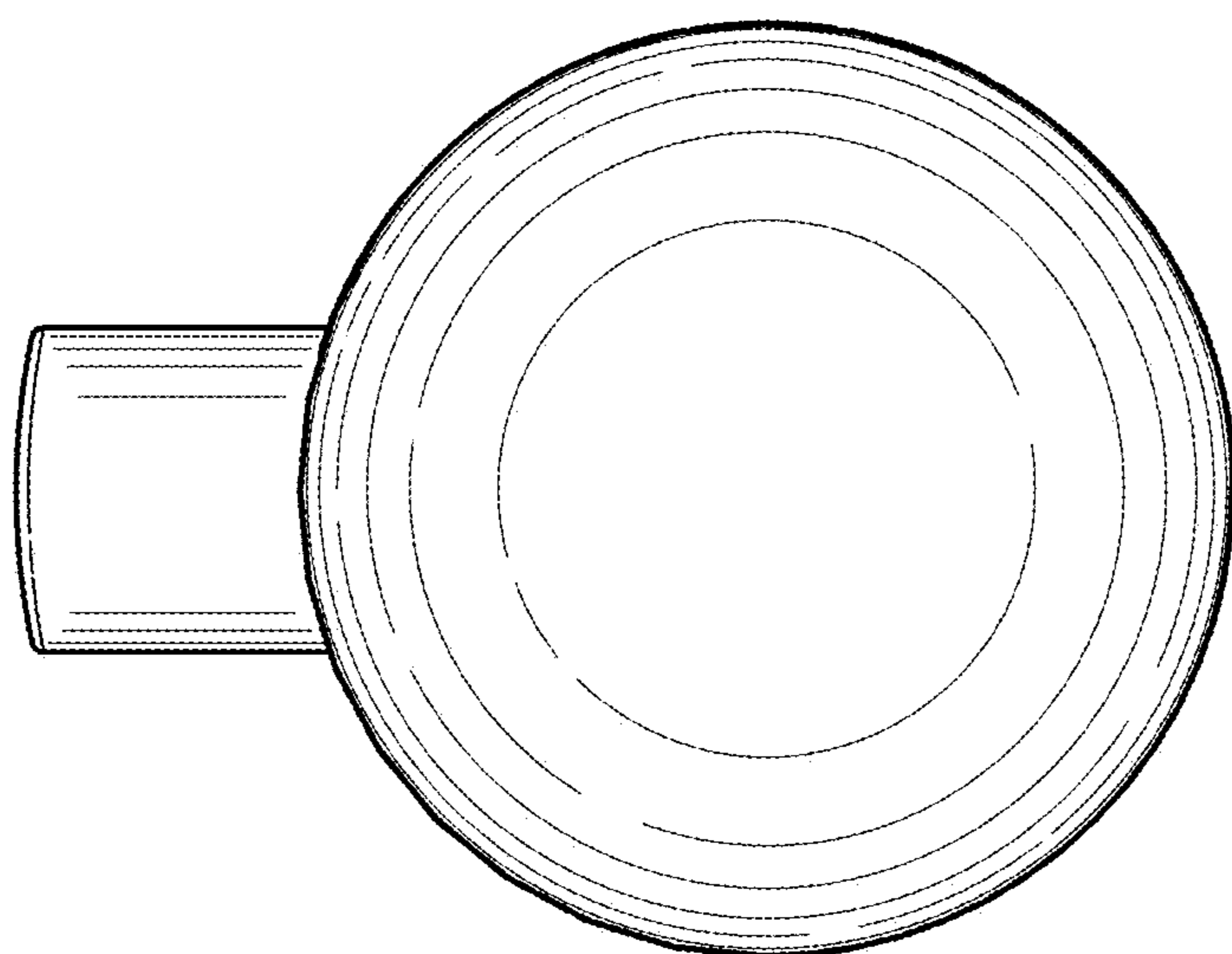
**FIG. 9**



**FIG. 10**



**FIG. 11**



**FIG. 12**