

US00D754657S

(12) **United States Design Patent**  
**Kim et al.**

(10) **Patent No.:** **US D754,657 S**

(45) **Date of Patent:** **\*\* Apr. 26, 2016**

(54) **MOBILE TERMINAL**

(71) Applicant: **Samsung Electronics Co., Ltd.**,  
Suwon-si (KR)

(72) Inventors: **In-Shik Kim**, Seongnam-si (KR);  
**Young-Joong Jun**, Seoul (KR); **Sang-II Park**, Seoul (KR)

(73) Assignee: **Samsung Electronics Co., Ltd.**,  
Suwon-si (KR)

(\*\*) Term: **14 Years**

(21) Appl. No.: **29/498,992**

(22) Filed: **Aug. 11, 2014**

(30) **Foreign Application Priority Data**

Feb. 22, 2014 (KR) ..... 30-2014-0009020

(51) **LOC (10) Cl.** ..... **14-02**

(52) **U.S. Cl.**  
USPC ..... **D14/345**

(58) **Field of Classification Search**  
USPC ..... D14/341-347, 371, 426, 427; D11/3;  
D10/30-39, 70, 128  
CPC ..... A61B 2017/60442; A61B 2017/6824;  
A61B 5/681; A61B 5/02438; A61B 5/1112;  
A61B 5/0022; H04B 1/385; A44C 5/14;  
A44C 5/12  
See application file for complete search history.

(56) **References Cited**

**U.S. PATENT DOCUMENTS**

D603,398 S \* 11/2009 Watson ..... D14/345  
D629,798 S \* 12/2010 Arie ..... D14/341  
D631,043 S \* 1/2011 Kell ..... D14/341  
D640,688 S \* 6/2011 Park ..... D14/341  
D650,781 S \* 12/2011 Rashid ..... D14/341  
D682,263 S \* 5/2013 Kim ..... D14/341

D696,247 S \* 12/2013 Kim ..... D14/341  
D705,778 S \* 5/2014 Groene ..... D14/341  
D708,610 S \* 7/2014 Ahn ..... D14/345  
D709,492 S \* 7/2014 Ahn ..... D14/345  
D709,493 S \* 7/2014 Ahn ..... D14/345  
D709,494 S \* 7/2014 Ahn ..... D14/345  
D716,751 S \* 11/2014 Lee ..... D14/138 AB  
D719,542 S \* 12/2014 Lee ..... D14/138 AB  
D729,232 S \* 5/2015 Wu ..... D14/341  
D739,402 S \* 9/2015 Seoc ..... D14/341  
D739,403 S \* 9/2015 David ..... D14/341

\* cited by examiner

*Primary Examiner* — Mary Ann Calabrese

*Assistant Examiner* — Jennifer L Rempfer

(74) *Attorney, Agent, or Firm* — NSIP Law

(57) **CLAIM**

We claim the ornamental design for a mobile terminal, as shown and described.

**DESCRIPTION**

FIG. 1 is a top front perspective view of a mobile terminal showing our new design;

FIG. 2 is a front view thereof;

FIG. 3 is a rear view thereof;

FIG. 4 is a left-side view thereof;

FIG. 5 is a right-side view thereof;

FIG. 6 is a top view thereof;

FIG. 7 is a bottom view thereof;

FIG. 8 is another right-side view, in which the mobile terminal is provided in an open position;

FIG. 9 is another top front perspective view, in which the mobile terminal is provided in an open position;

FIG. 10 is a bottom perspective view, in which the mobile terminal is provided in an open position; and,

FIG. 11 is another perspective view thereof, in which the mobile terminal is provided in a partially open position.

The broken lines in the figures show portions of the mobile terminal which form no part of the claimed design.

**1 Claim, 9 Drawing Sheets**

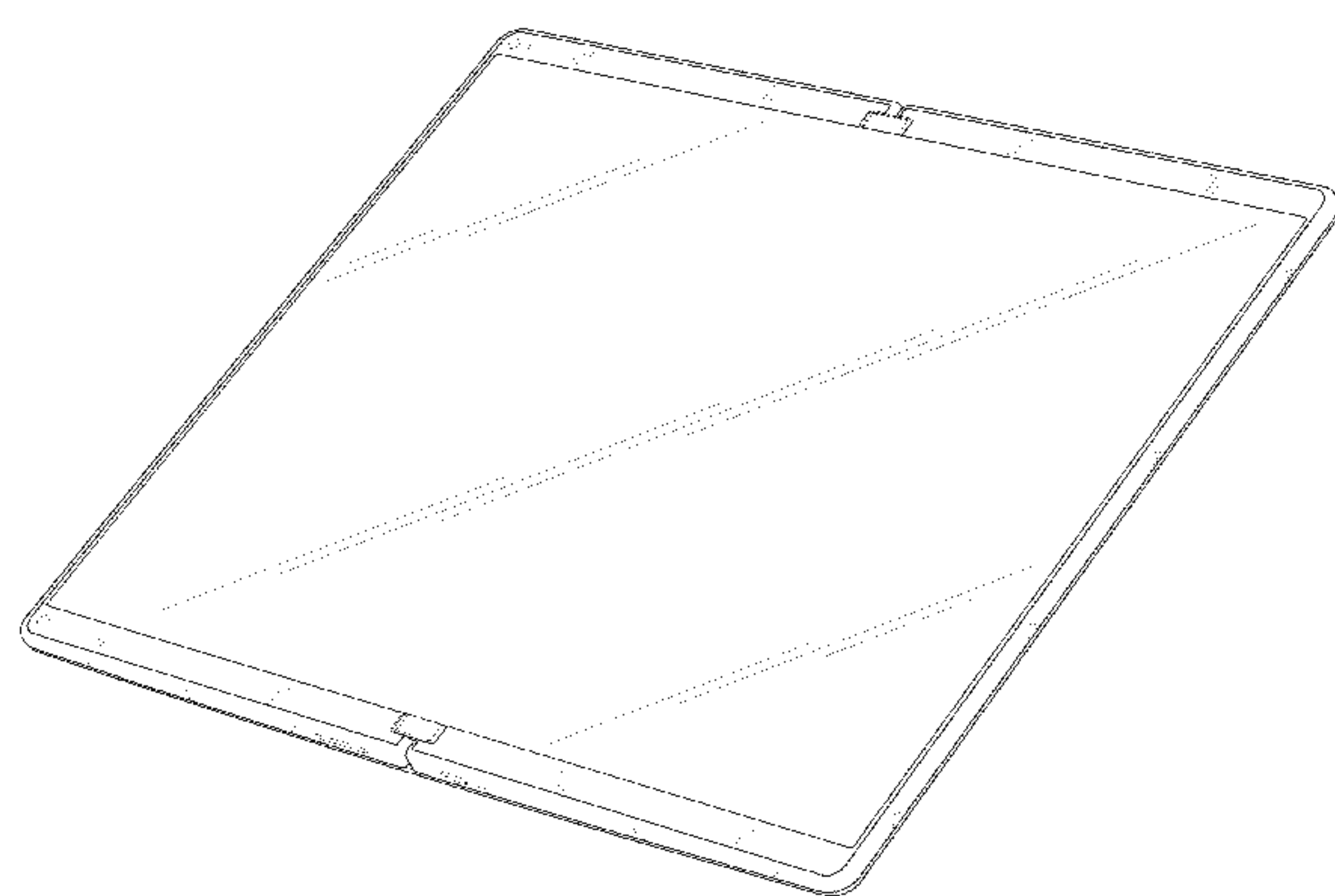
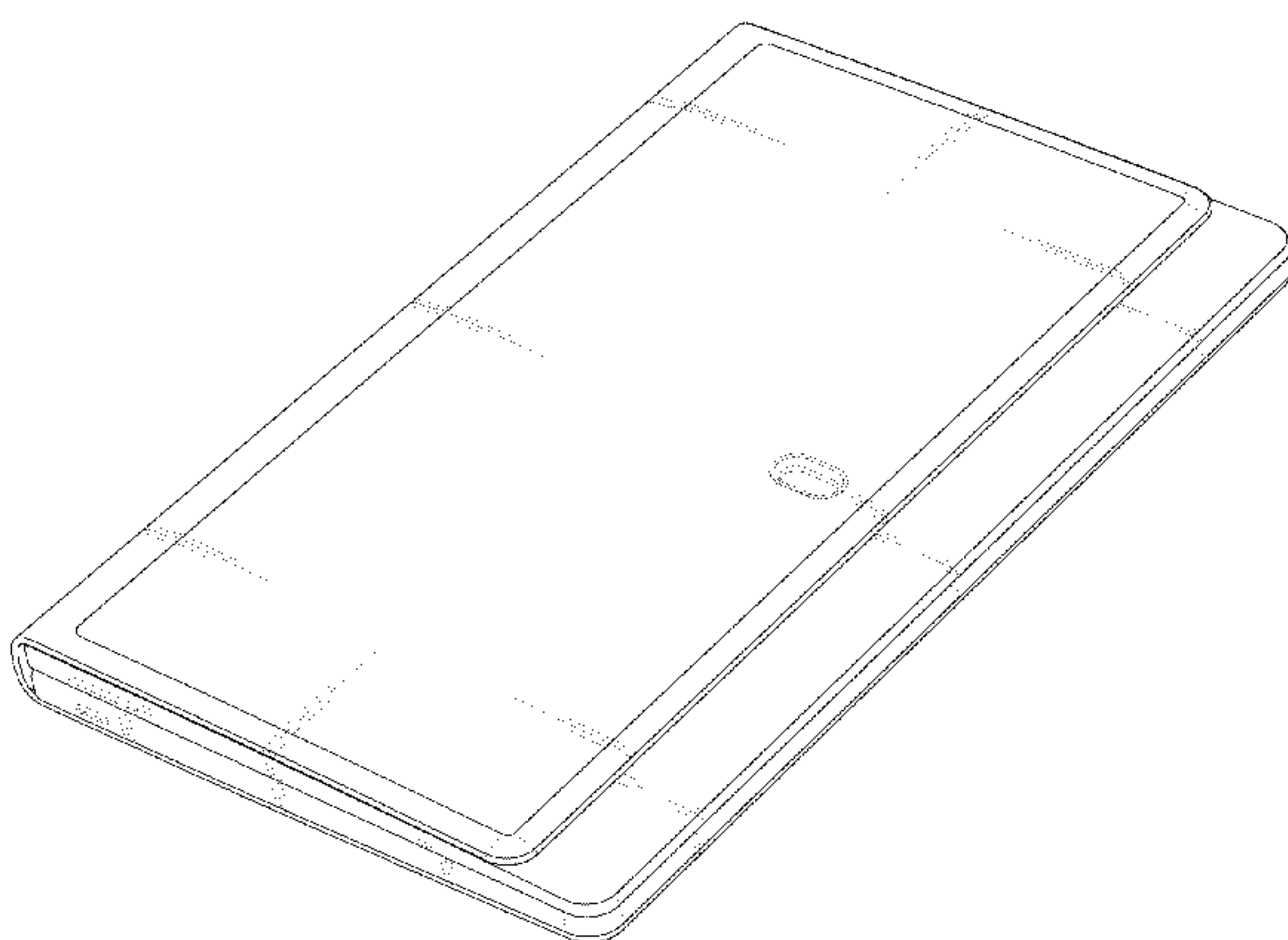


FIG. 1

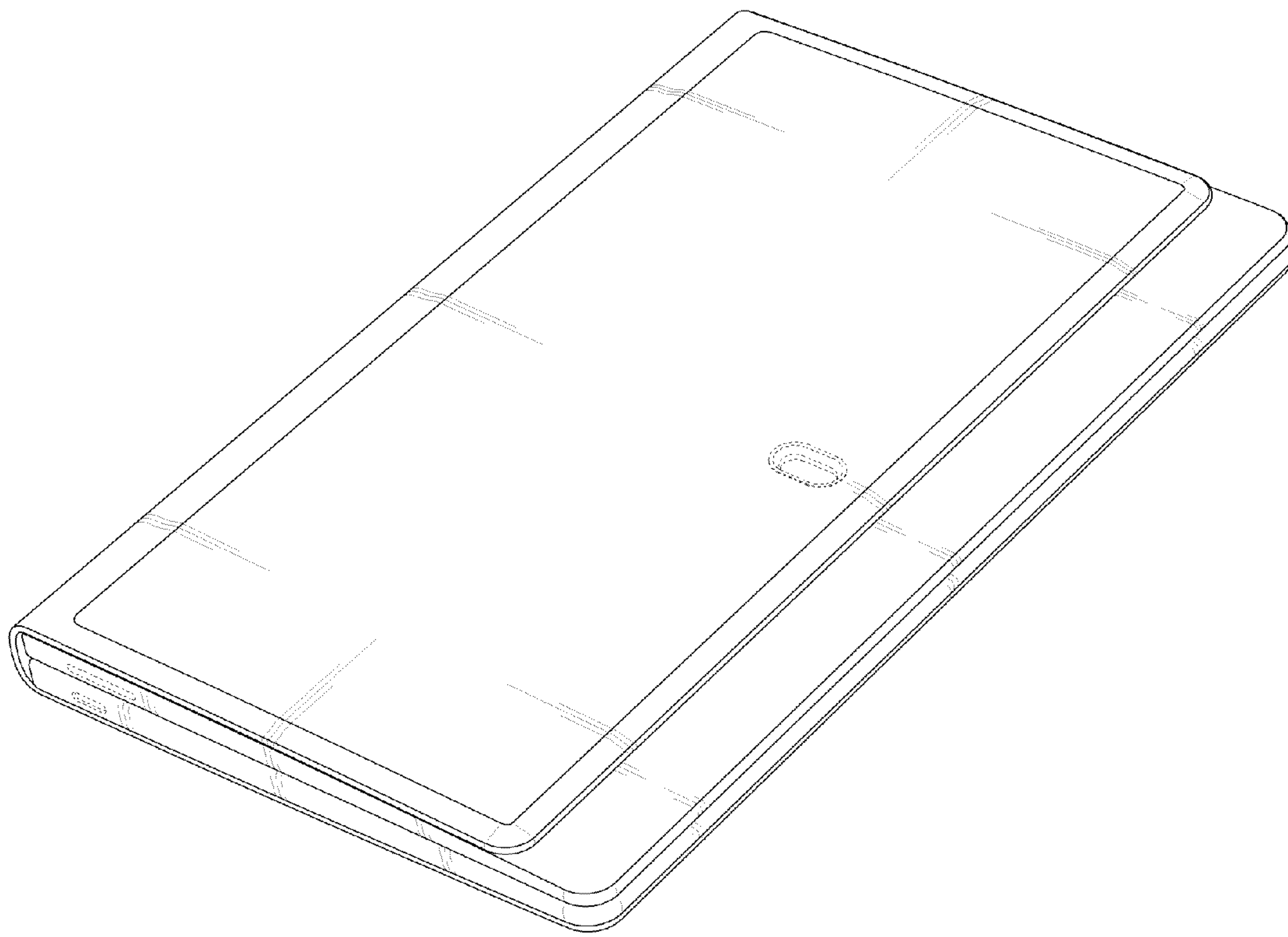


FIG. 2

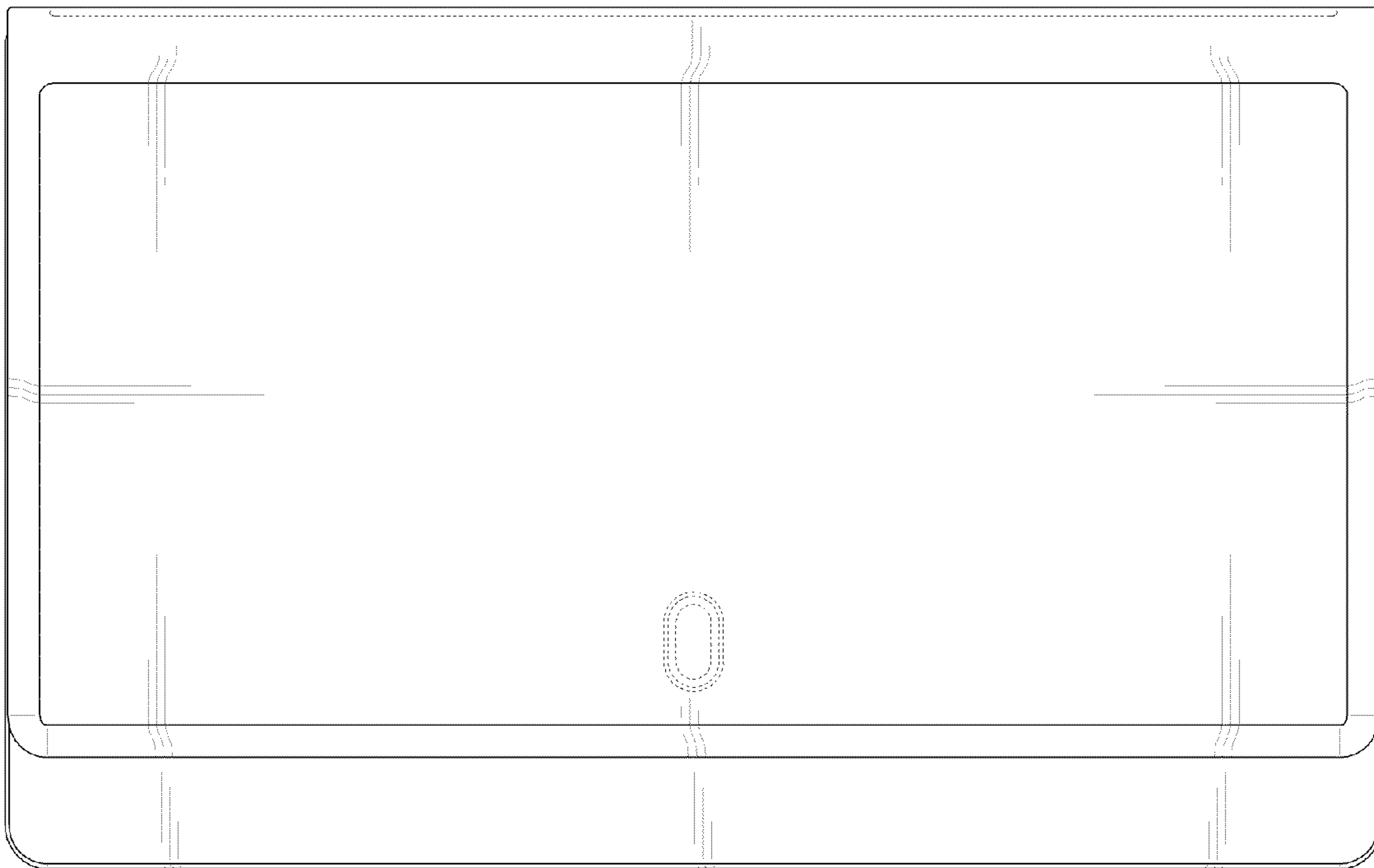


FIG. 3



FIG. 4

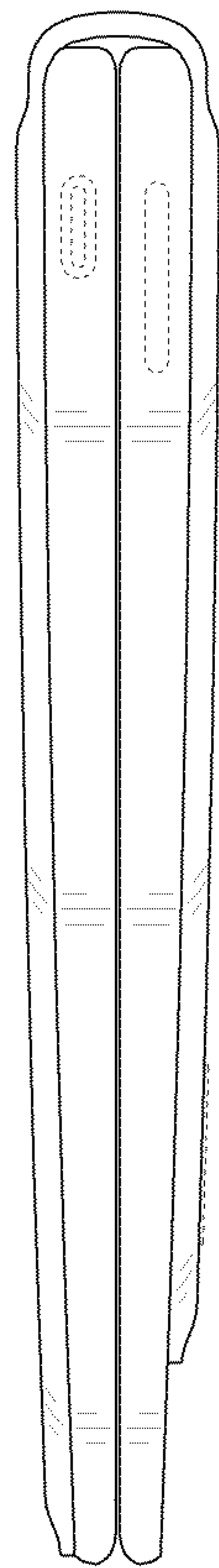


FIG. 5

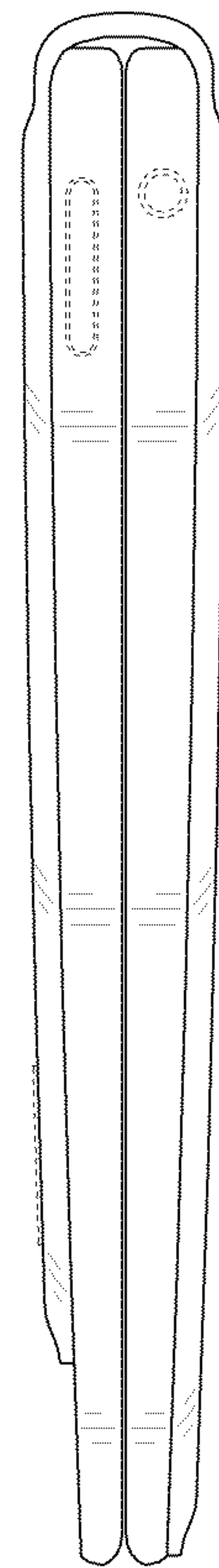


FIG. 6

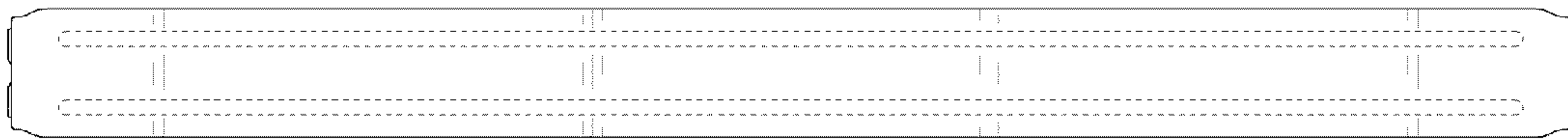


FIG. 7

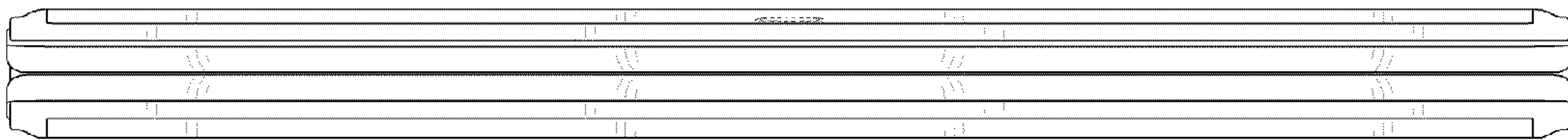


FIG. 8

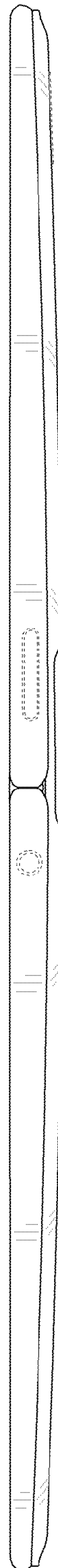




FIG. 9

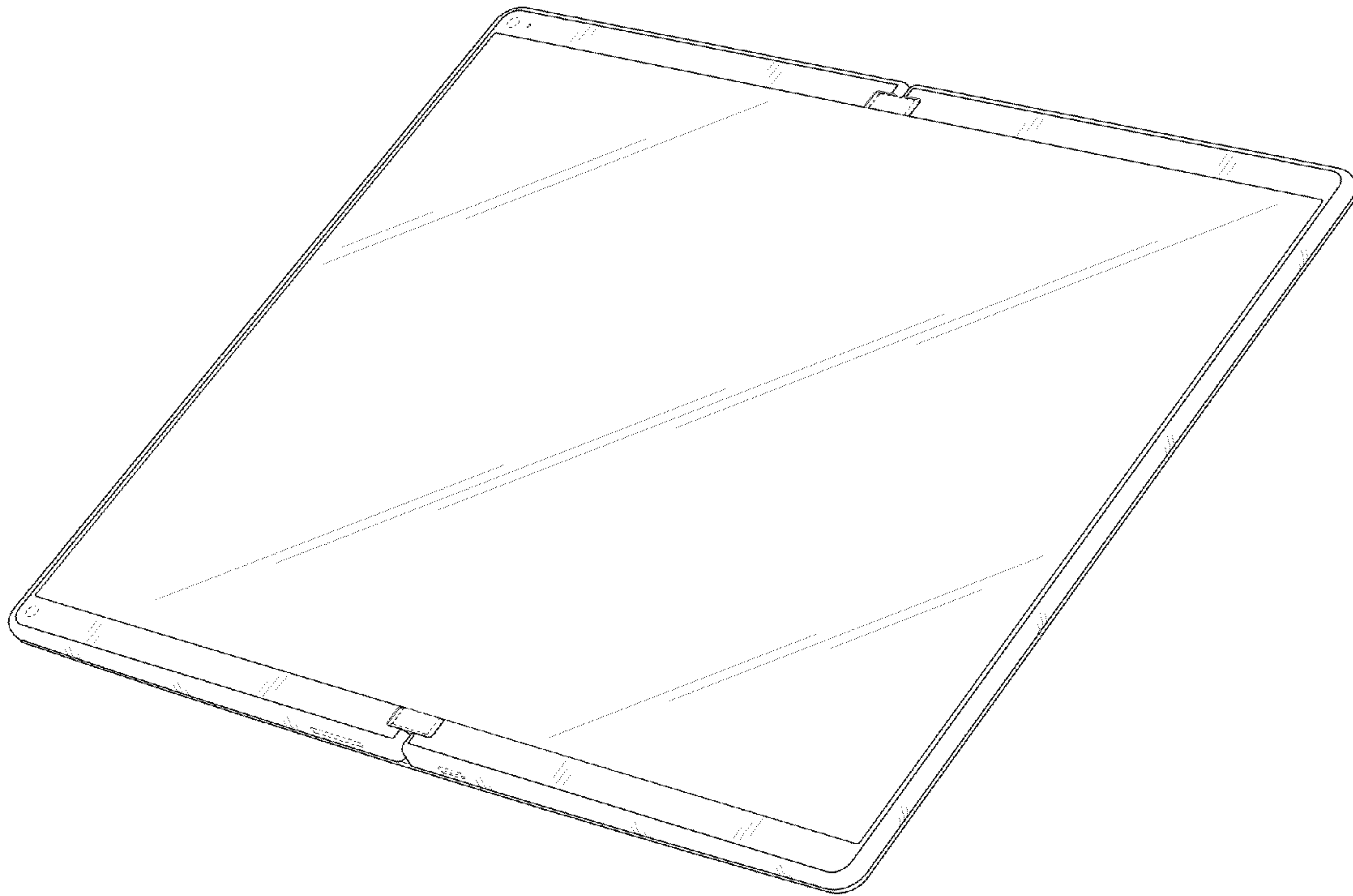




FIG. 10

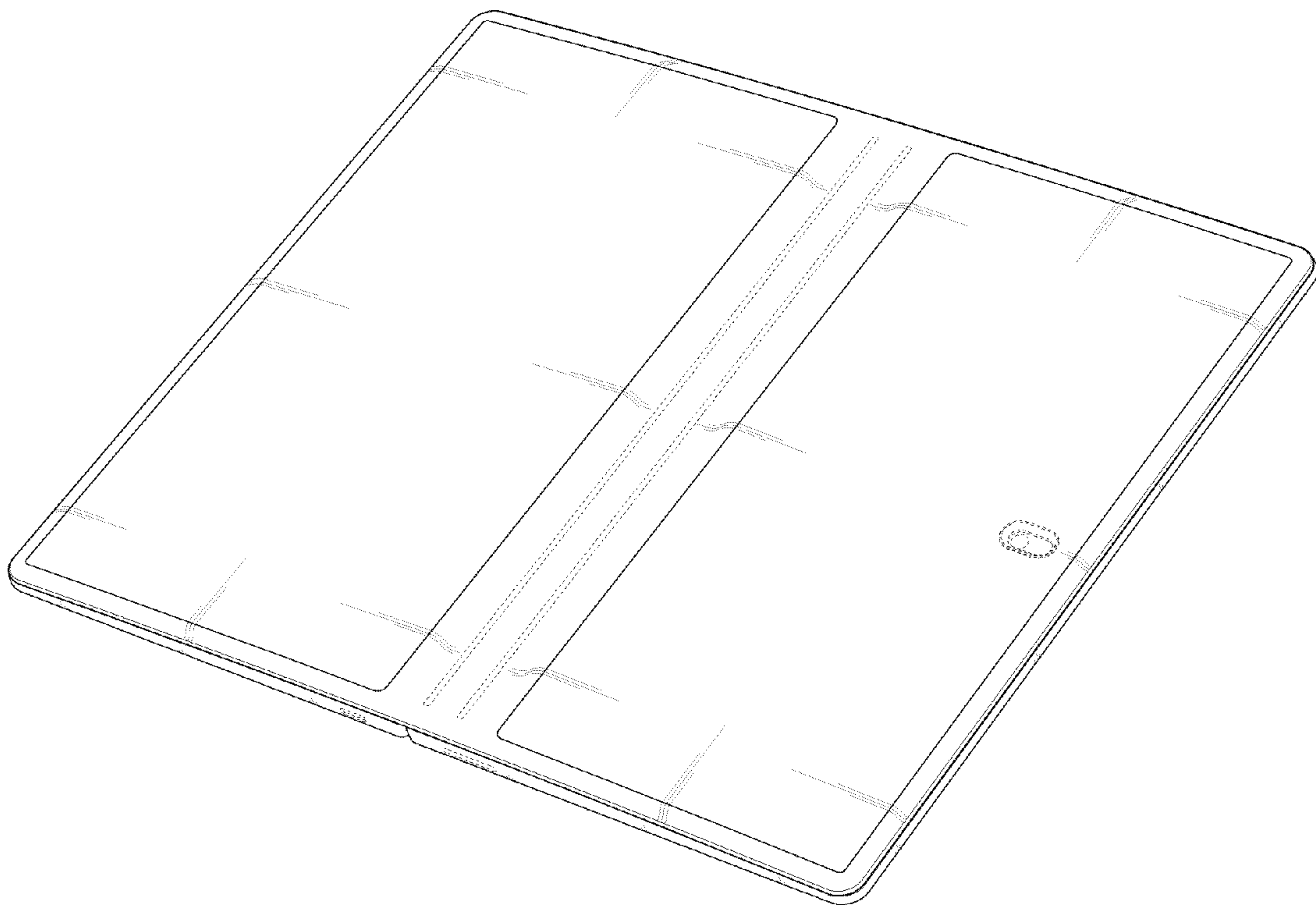


FIG. 11

