



US00D754655S

(12) **United States Design Patent**
Groene et al.

(10) **Patent No.:** **US D754,655 S**
(45) **Date of Patent:** **** Apr. 26, 2016**

- (54) **ELECTRONIC TABLET**
- (71) Applicant: **Microsoft Corporation**, Redmond, WA (US)
- (72) Inventors: **Ralf Groene**, Kirkland, WA (US); **Jan Raken**, Seattle, WA (US)
- (73) Assignee: **Microsoft Corporation**, Redmond, WA (US)
- (**) Term: **14 Years**
- (21) Appl. No.: **29/491,223**
- (22) Filed: **May 19, 2014**
- (51) **LOC (10) Cl.** **14-02**
- (52) **U.S. Cl.**
USPC **D14/341**
- (58) **Field of Classification Search**
USPC D14/341; 345/104, 156, 173; 348/376;
455/575.3; 361/679.46
CPC G06F 1/16
See application file for complete search history.

(56) **References Cited**

U.S. PATENT DOCUMENTS

D278,272 S	4/1985	Kojima et al.	
D284,084 S *	6/1986	Ferrara, Jr.	D14/389
4,812,830 A *	3/1989	Doering	G06F 3/0421 250/221
D313,431 S *	1/1991	Jaskiel, Jr.	D14/126
D321,172 S *	10/1991	Moore, IV	D14/389
D333,574 S	3/1993	Ackeret	
D337,104 S *	7/1993	Orchard	D14/375
D340,701 S *	10/1993	Takeuchi	D14/341
D348,661 S *	7/1994	Hansen	D14/389
D350,346 S *	9/1994	Takemasa	D14/126
D355,170 S *	2/1995	Mizusugi	D14/336
D356,557 S *	3/1995	Takemasa	D14/126
D382,259 S *	8/1997	Nagai	D14/126
D388,077 S *	12/1997	Starck	D11/132
D414,164 S *	9/1999	Rorke	D14/126
D453,333 S *	2/2002	Chen	D14/374

6,437,978 B1 *	8/2002	Ozaki	G06F 1/203 165/104.33
D468,735 S *	1/2003	Landerholm	D14/336
6,661,474 B2 *	12/2003	Hung	G06F 1/1601 312/7.2
D492,684 S	7/2004	Ozolins et al.	
D500,037 S	12/2004	Ozolins et al.	
D504,889 S *	5/2005	Andre	D14/341
D520,003 S *	5/2006	Rinna	D14/374
D560,668 S *	1/2008	Pritchard	D14/448
D585,399 S *	1/2009	Hwang	D14/130
D592,625 S *	5/2009	Hwang	D14/130
D596,596 S *	7/2009	Honda	D14/126
D596,598 S *	7/2009	Huang	D14/130
D602,259 S *	10/2009	Finnegan	D14/371
D603,398 S	11/2009	Watson et al.	
D605,626 S *	12/2009	Park	D14/203.1

(Continued)

Primary Examiner — Paula Greene

(74) *Attorney, Agent, or Firm* — Banner & Witcoff, Ltd.

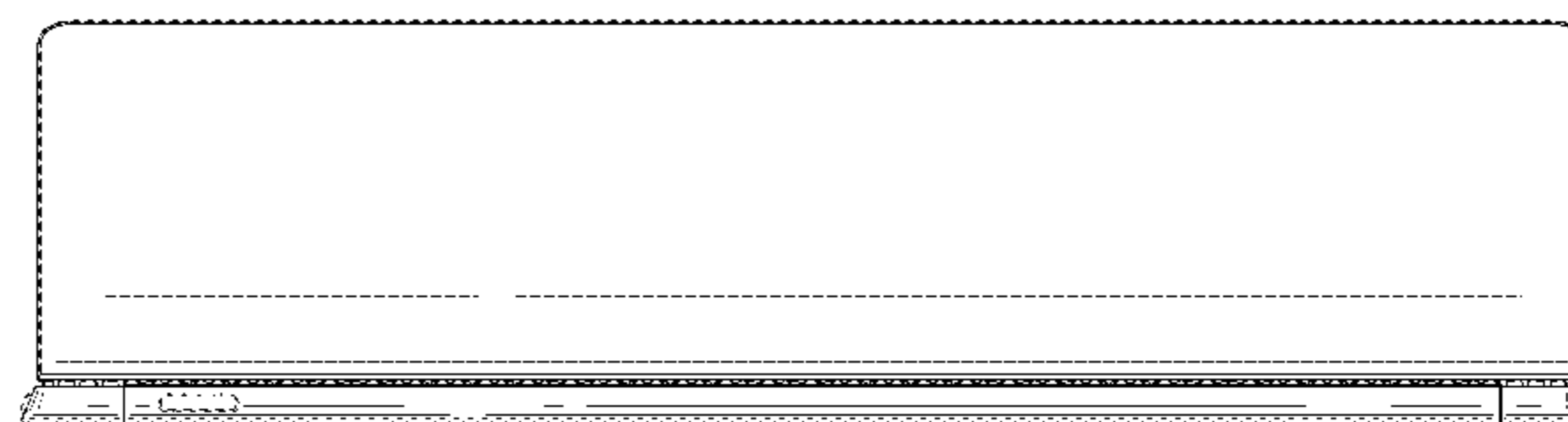
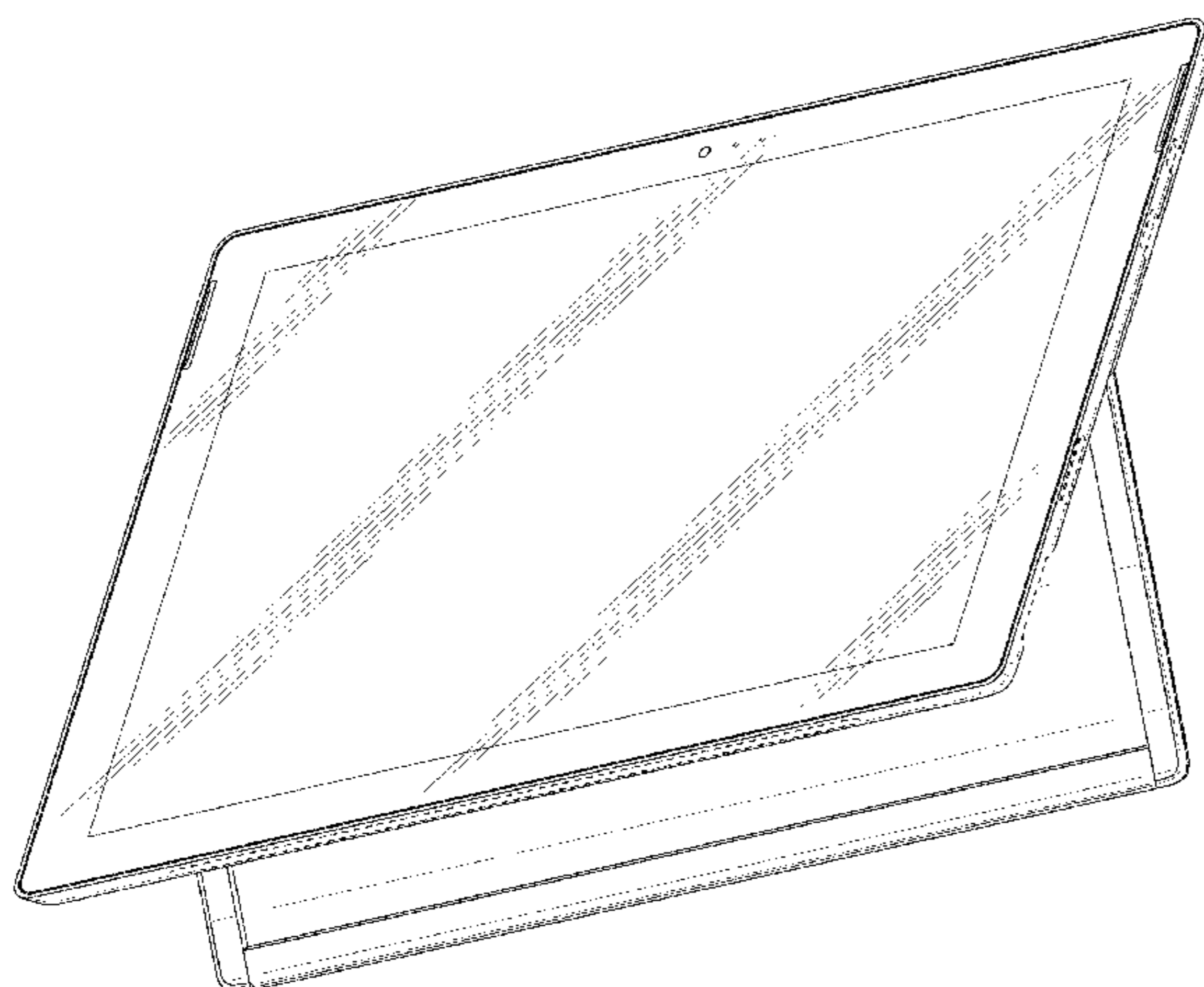
(57) **CLAIM**

The ornamental design for an electronic tablet, as shown and described.

DESCRIPTION

FIG. 1 is a front isometric view of an electronic tablet showing our new design;
 FIG. 2 is a front view thereof;
 FIG. 3 is a rear view thereof;
 FIG. 4 is a right side view thereof;
 FIG. 5 is a left side view thereof;
 FIG. 6 is a top view thereof;
 FIG. 6A is a top view of the electronic tablet of FIG. 6 showing a call-out region thereon;
 FIG. 7 is an enlarged top view of the callout region in the electronic tablet as indicated in FIG. 6A; and,
 FIG. 8 is a bottom view of the electronic tablet showing our new design.
 The broken line showing of various features of the electronic tablet are for environmental purposes only and form no part of the claimed design.

1 Claim, 7 Drawing Sheets



(56)

References Cited

U.S. PATENT DOCUMENTS

D615,527 S 5/2010 Hwang
 D621,828 S * 8/2010 Cheng D14/327
 D624,070 S * 9/2010 Lee D14/336
 D627,777 S * 11/2010 Akana D14/341
 D634,318 S * 3/2011 Buckle D14/341
 D639,266 S 6/2011 DeLorenzo et al.
 D639,267 S * 6/2011 DeLorenzo D14/130
 D641,018 S * 7/2011 Lee D14/341
 D645,833 S * 9/2011 Seflic D14/138 G
 D650,381 S * 12/2011 Park D14/341
 D654,074 S 2/2012 Wood et al.
 8,228,673 B2 * 7/2012 Cheng G06F 1/1616
 345/173
 D666,198 S * 8/2012 Van Den
 Nieuwenhuizen D14/341
 D668,651 S * 10/2012 Kim D14/138 G
 D670,286 S 11/2012 Akana et al.
 D677,660 S 3/2013 Groene et al.
 D678,877 S 3/2013 Groene et al.

D695,737 S * 12/2013 Kim D14/138 G
 D696,249 S * 12/2013 Lee D14/341
 D696,250 S * 12/2013 Wang D14/341
 D705,776 S 5/2014 Groene et al.
 D705,777 S * 5/2014 Groene D14/341
 D705,778 S * 5/2014 Groene D14/341
 D709,067 S * 7/2014 Ahn D14/345
 D712,402 S * 9/2014 Park D14/341
 8,976,524 B2 * 3/2015 Wang H05K 5/0213
 165/104.33
 D732,020 S * 6/2015 Seoc D14/341
 D733,127 S * 6/2015 Sung D14/341
 9,073,123 B2 * 7/2015 Campbell B22F 3/225
 2004/0246396 A1 * 12/2004 Peng G02F 1/133308
 349/58
 2005/0052831 A1 3/2005 Chen
 2007/0011929 A1 * 1/2007 Cheng F16M 13/00
 40/700
 2010/0201637 A1 * 8/2010 Herne G06F 3/046
 345/173
 2012/0194448 A1 8/2012 Rothkopf

* cited by examiner

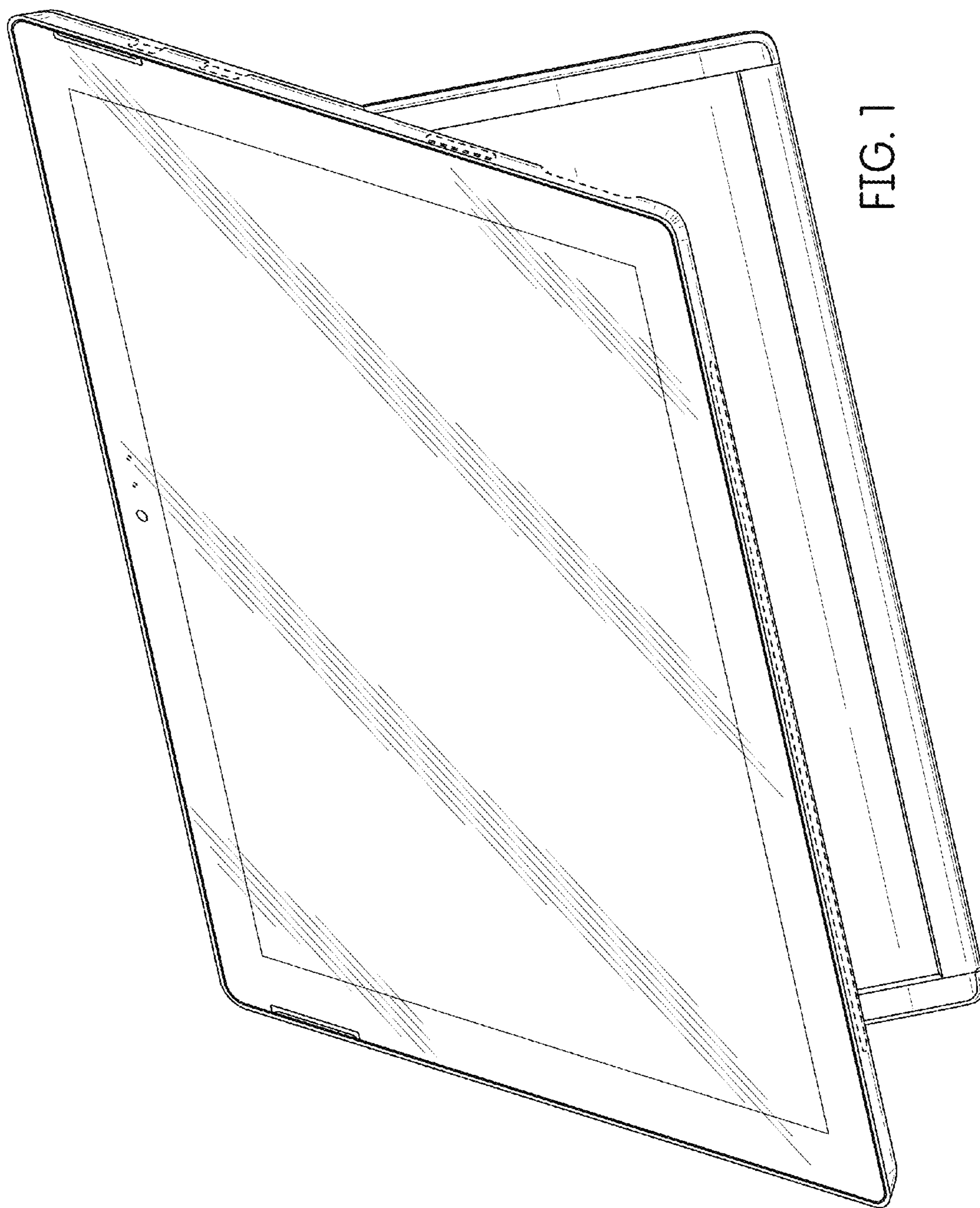


FIG. 1

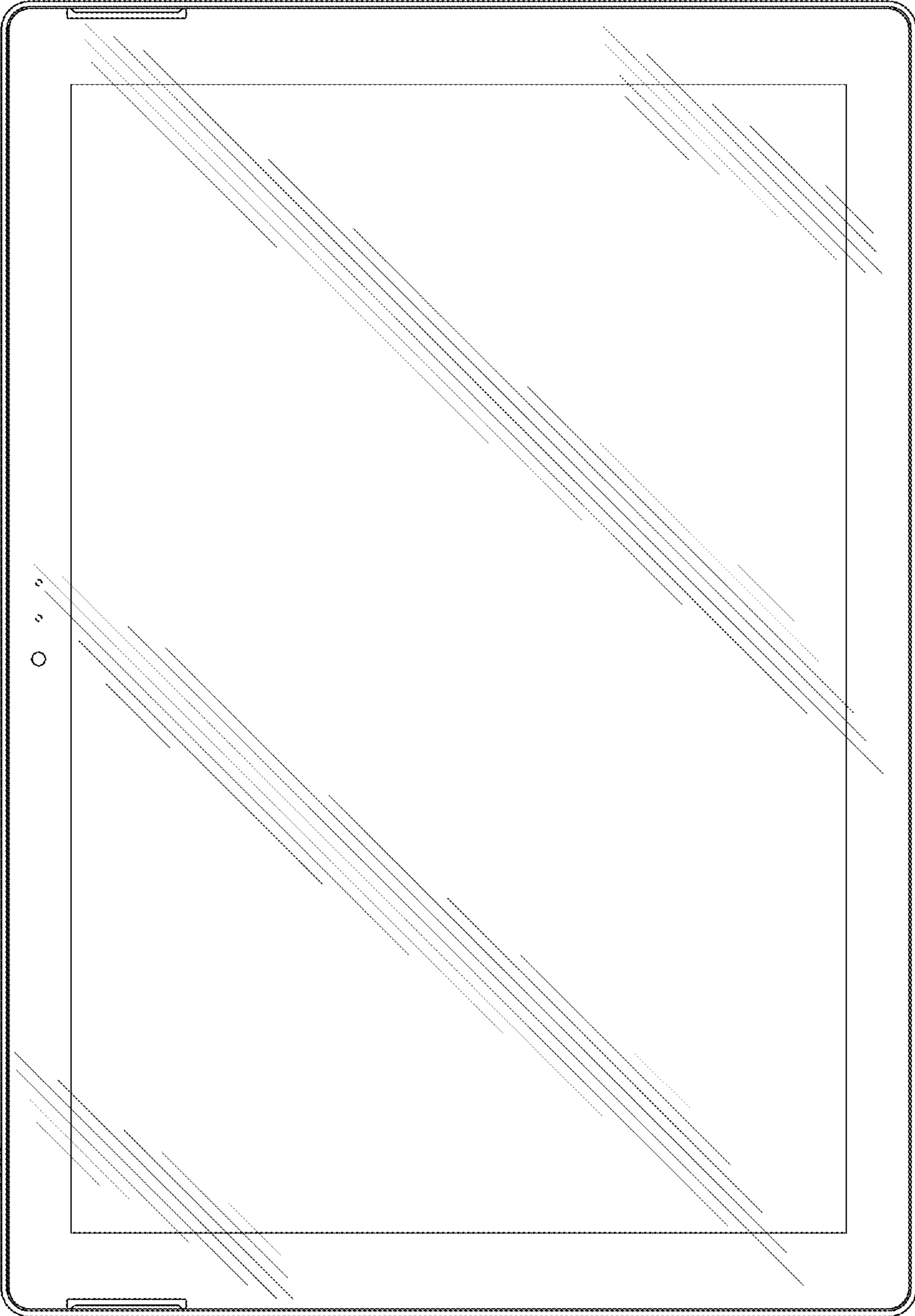


FIG. 2

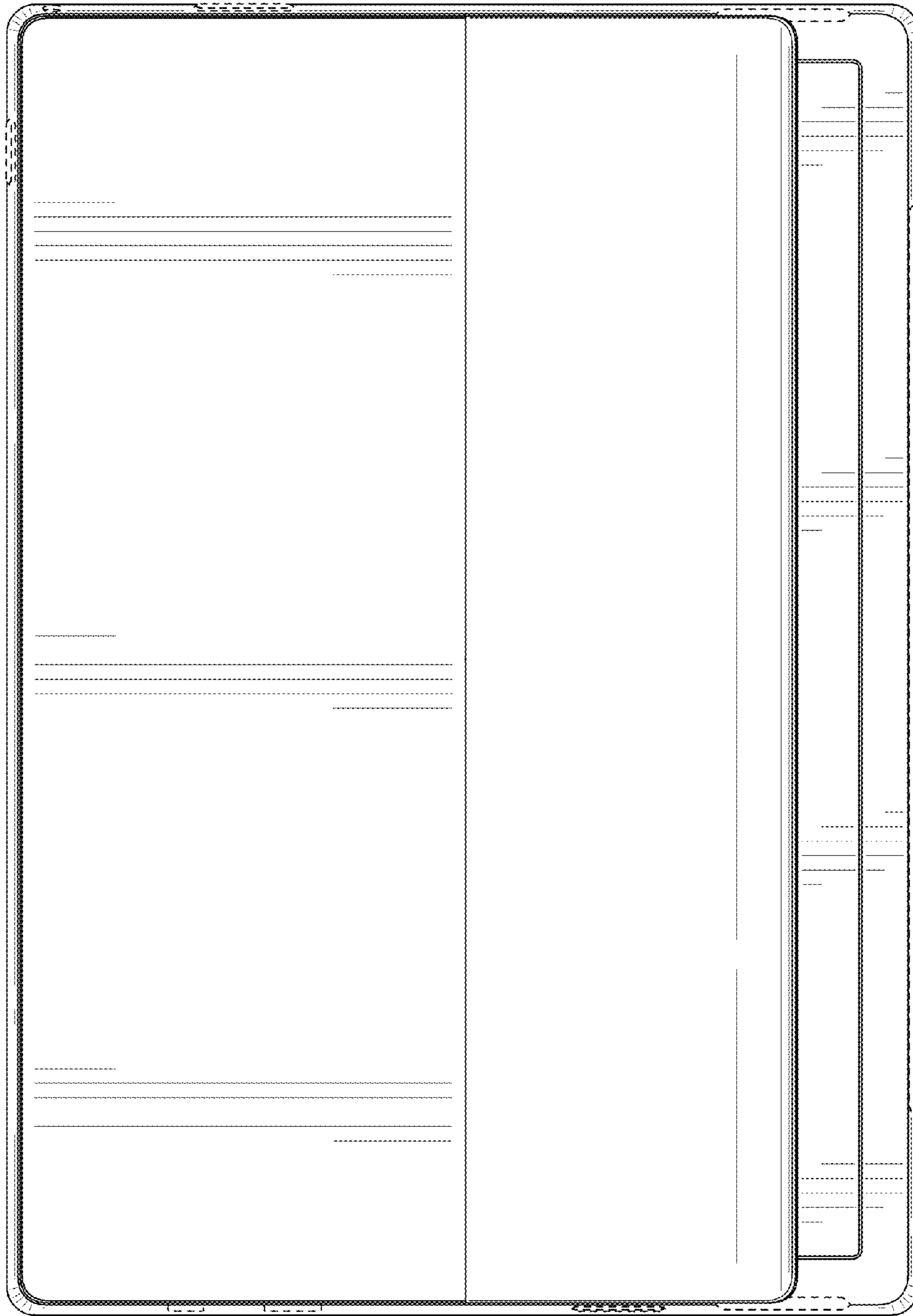


FIG. 3

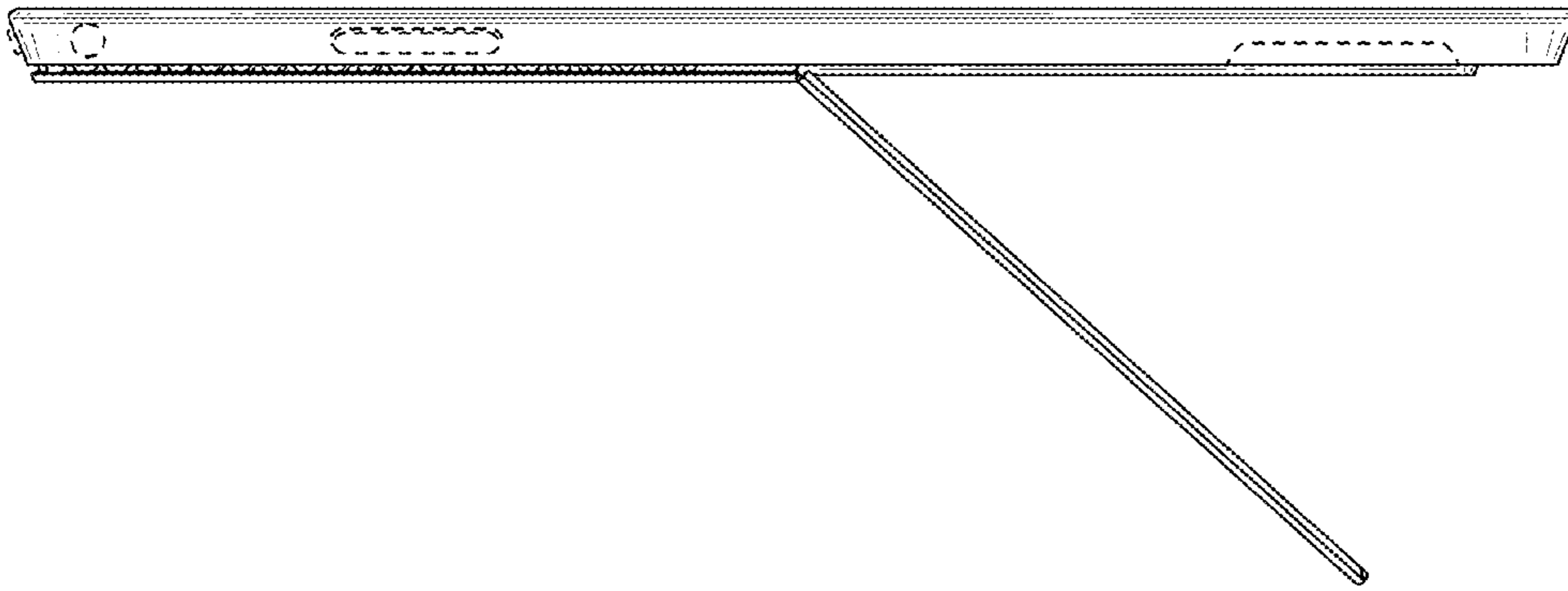


FIG. 5

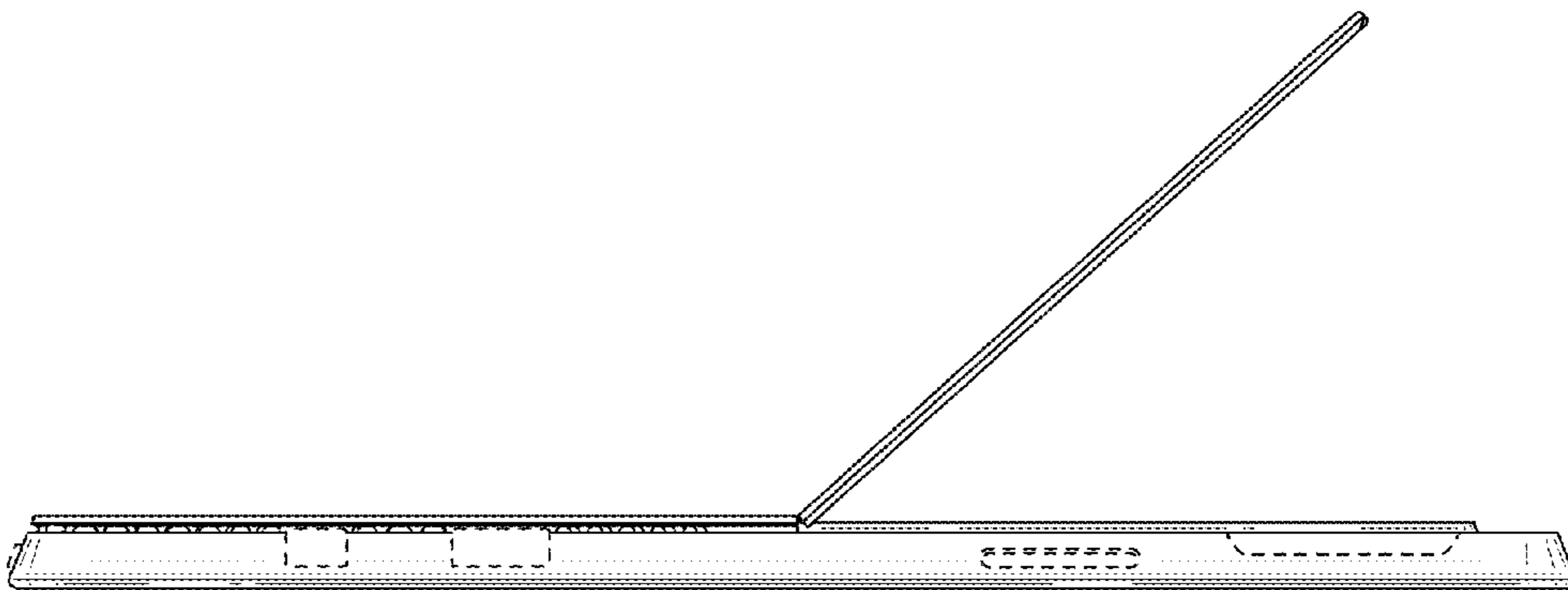


FIG. 4

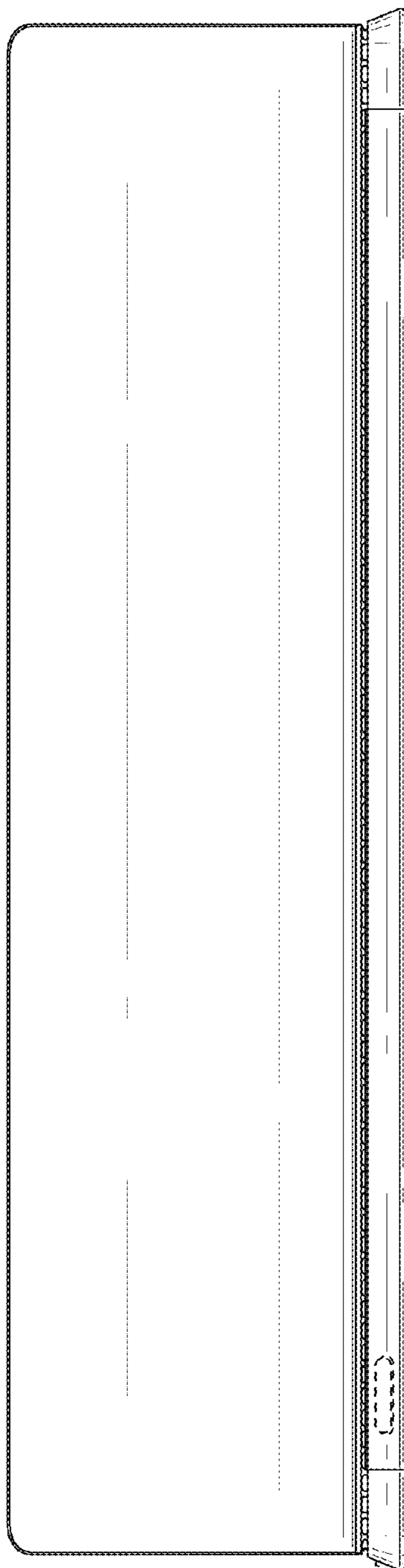


FIG. 6

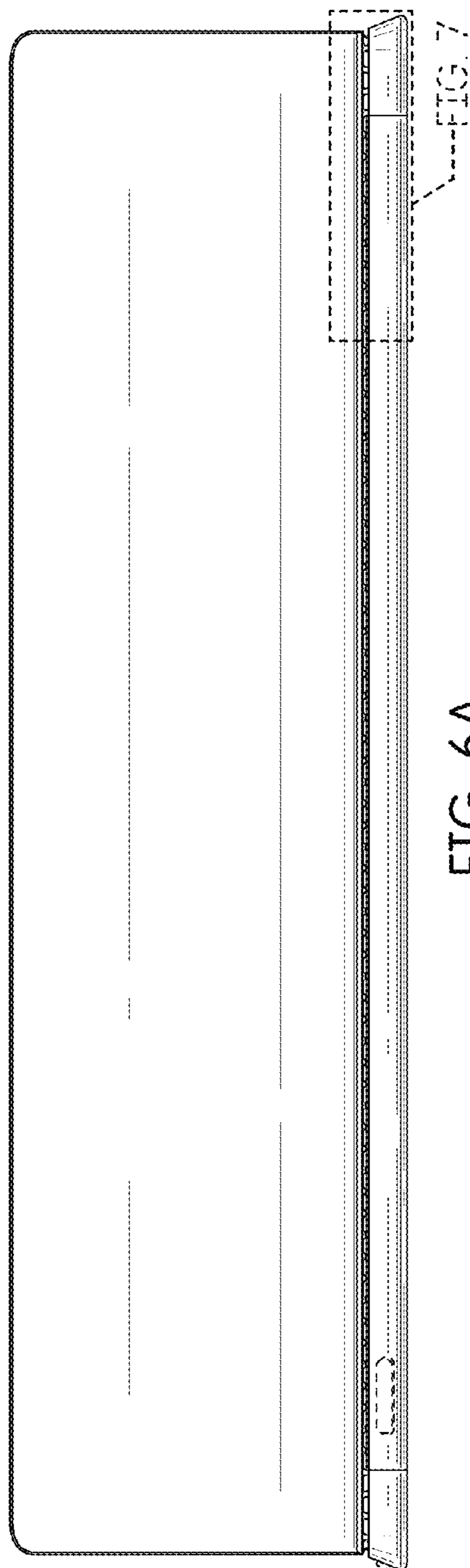


FIG. 6A

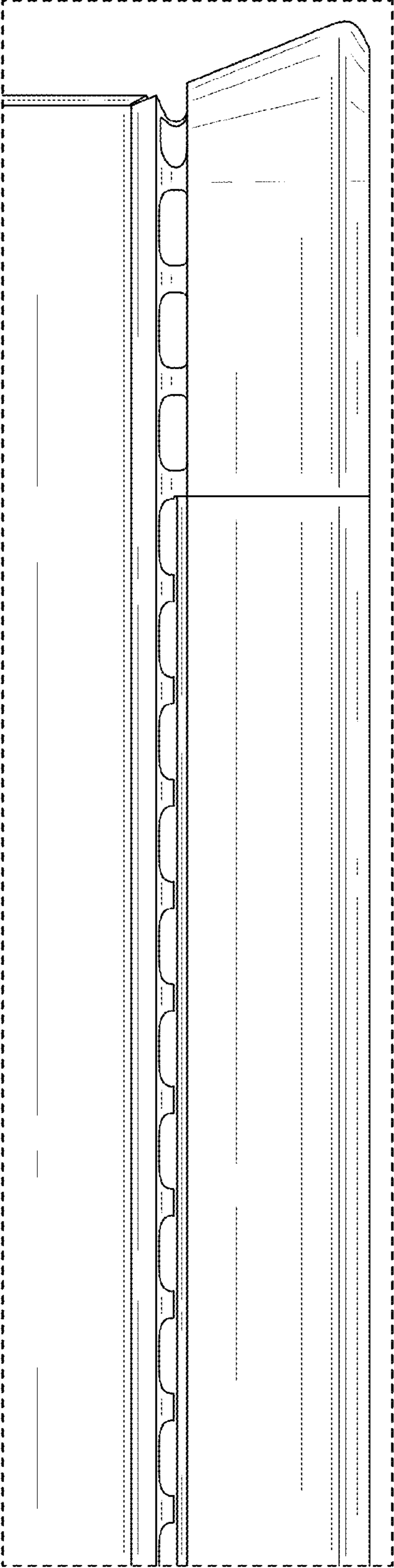


FIG. 7

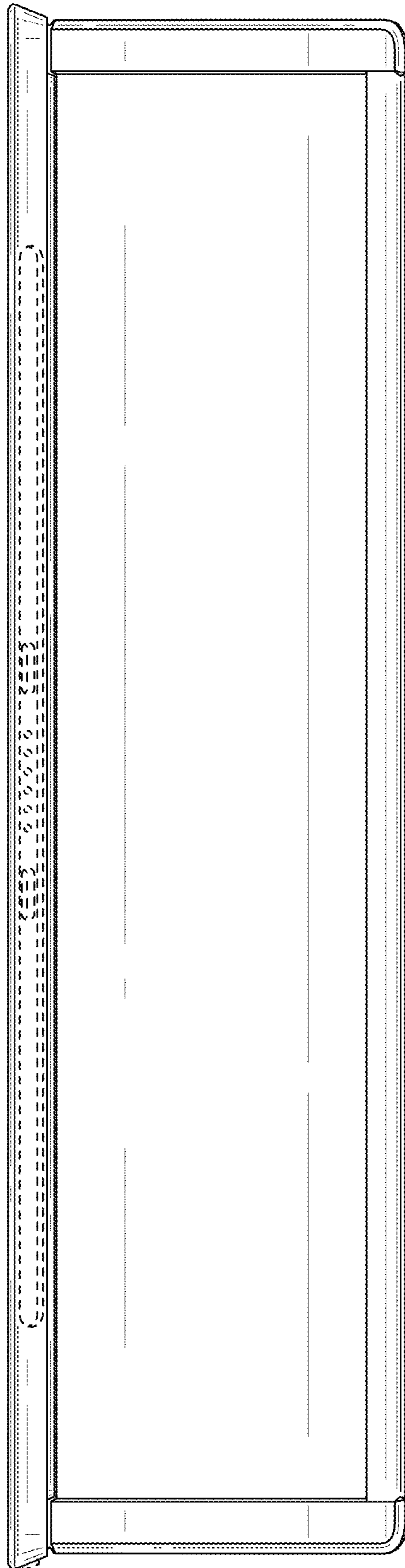


FIG. 8