



US00D754644S

(12) **United States Design Patent**
Kim et al.

(10) **Patent No.:** **US D754,644 S**
(45) **Date of Patent:** **** Apr. 26, 2016**

(54) **COVER FOR MOBILE PHONE**

(56) **References Cited**

(71) Applicant: **Samsung Electronics Co., Ltd.**,
Suwon-si (KR)
(72) Inventors: **Yoon-young Kim**, Seongnam-si (KR);
Min-a Oh, Gwangju-si (KR); **Yong Seo**,
Seoul (KR)

U.S. PATENT DOCUMENTS

D597,089	S	*	7/2009	Khan et al.	D14/250
D610,135	S	*	2/2010	Hofer et al.	D14/248
D646,266	S	*	10/2011	Kim et al.	D14/250
D654,069	S	*	2/2012	Kwon et al.	D14/250
D670,293	S	*	11/2012	Shimizu et al.	D14/440
D712,887	S	*	9/2014	Song	D14/248
D721,688	S	*	1/2015	Du	D14/250
D721,693	S	*	1/2015	Lee et al.	D14/250
D721,694	S	*	1/2015	Lee et al.	D14/250
D727,331	S	*	4/2015	Curran-Blaney et al.	D14/440
D733,694	S	*	7/2015	Kim	D14/250
D735,183	S	*	7/2015	Kim	D14/250
2010/0116387	A1	*	5/2010	Channey et al.	150/165

(73) Assignee: **Samsung Electronics Co., Ltd.**,
Suwon-si (KR)

(**) Term: **14 Years**

* cited by examiner

(21) Appl. No.: **29/470,696**

Primary Examiner — Carla Jobe Wright

(22) Filed: **Oct. 24, 2013**

Assistant Examiner — Holly E Thurman

(30) **Foreign Application Priority Data**

(74) *Attorney, Agent, or Firm* — NSIP Law

Aug. 30, 2013 (KR) 30-2013-0044838

(51) **LOC (10) Cl.** **14-03**

(57) **CLAIM**

The ornamental design for a cover for mobile phone, as shown and described.

(52) **U.S. Cl.**

DESCRIPTION

USPC **D14/250**

(58) **Field of Classification Search**

USPC D14/250–253, 440, 203.3–203.7, 217,
D14/496, 248, 238.1, 240, 447, 230, 247,
D14/341, 345, 346, 439; D3/201, 218, 269,
D3/301, 273, 303; D13/103, 107–108;
220/4.02; 248/309.1; 361/679.56;
379/426, 433.11, 455; 455/575.1,
455/575.8; 190/100; 206/305, 320

FIG. 1 is a front perspective view of a cover for mobile phone showing our new design;
FIG. 2 is a front view thereof;
FIG. 3 is a rear view thereof;
FIG. 4 is a left-side view thereof;
FIG. 5 is a right-side view thereof;
FIG. 6 is a top view thereof; and,
FIG. 7 is a bottom view thereof.

CPC A45C 2011/002; A45C 11/00; A45C
13/002; A45C 2011/003; H04M 1/0283;
H04M 1/0202; H04M 1/185; H04B 1/3888

The broken lines illustrating unclaimed portions of the cover for mobile phone are for environmental purposes only and form no part of the claimed design.

See application file for complete search history.

1 Claim, 7 Drawing Sheets

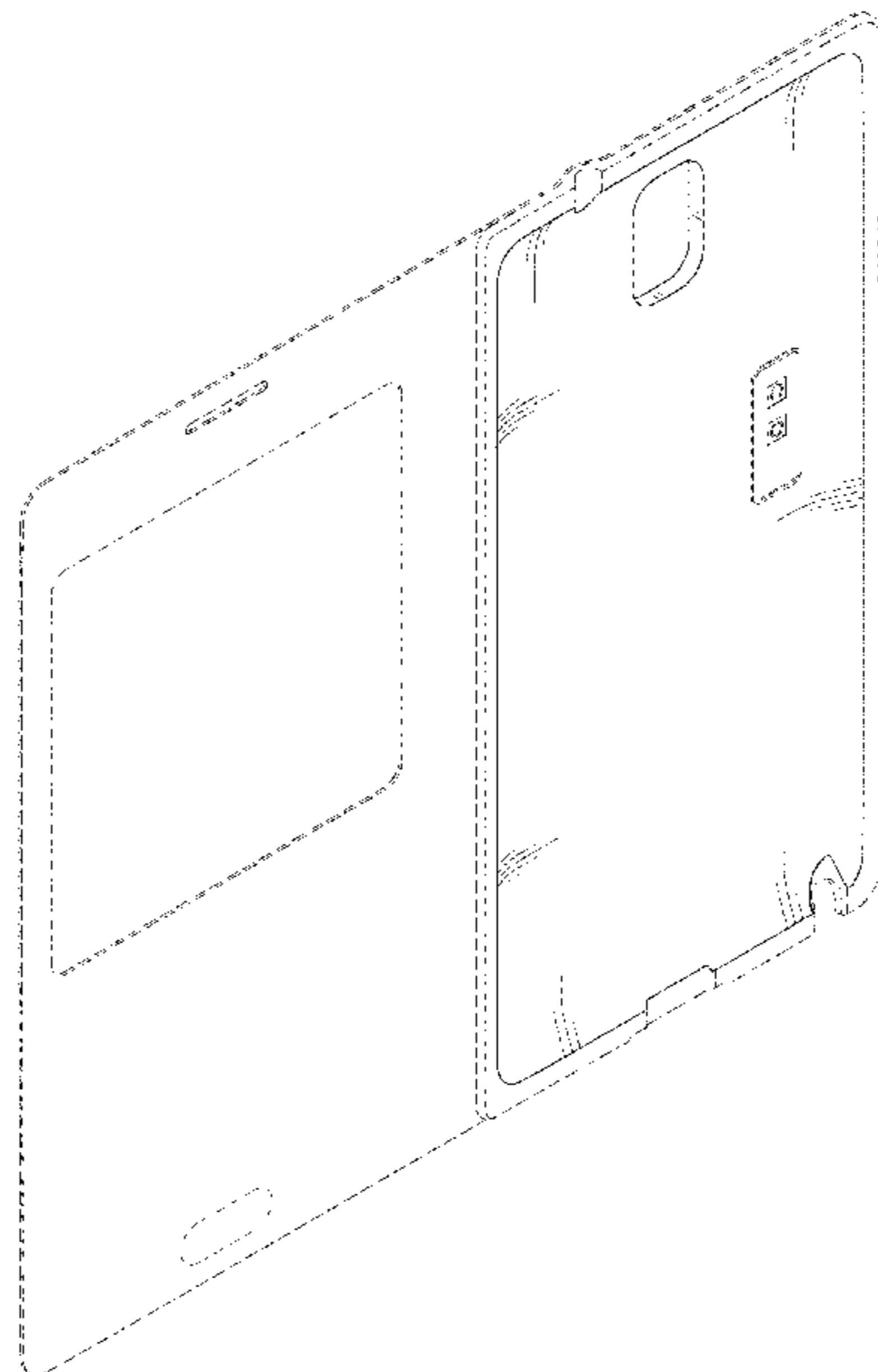


FIG. 1

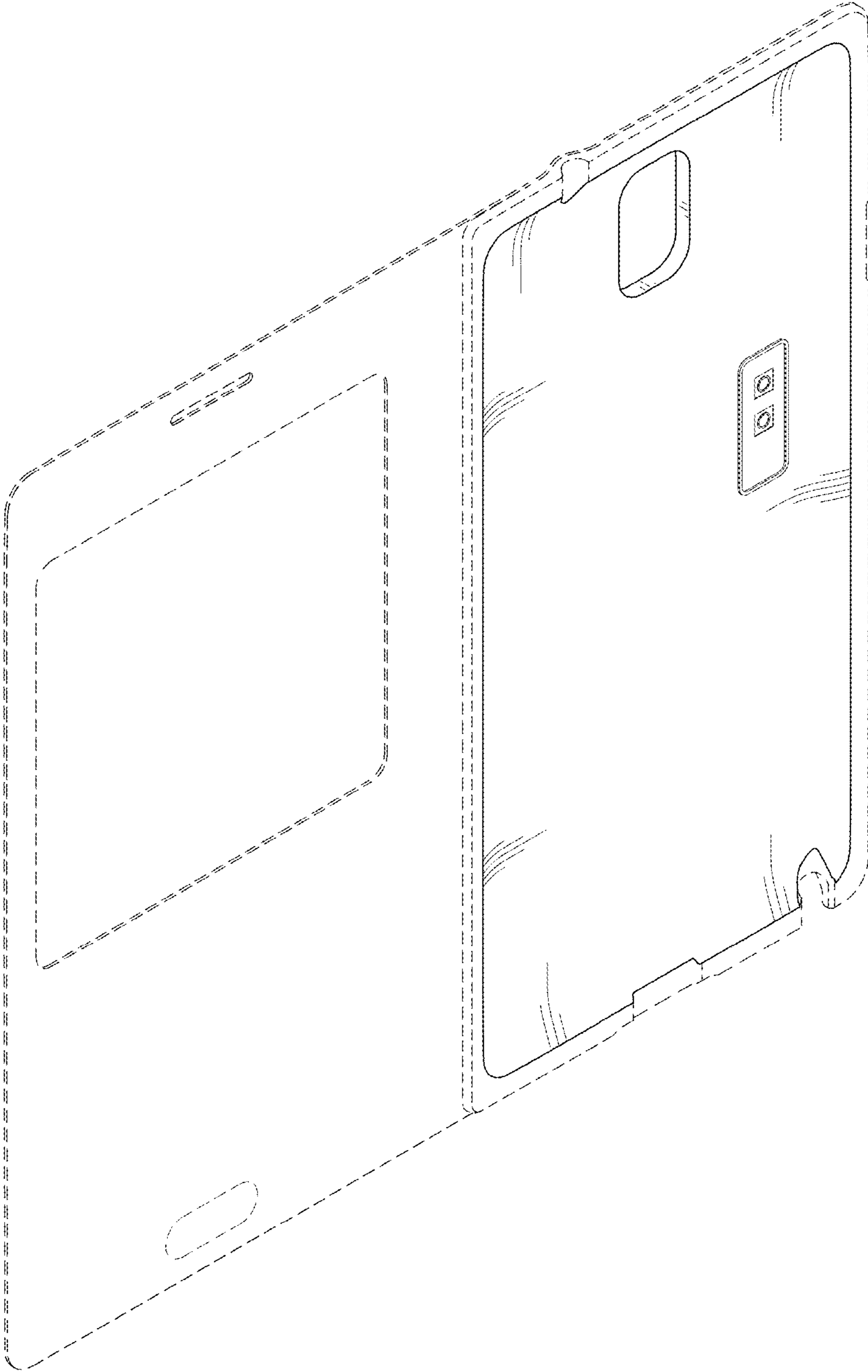


FIG. 2

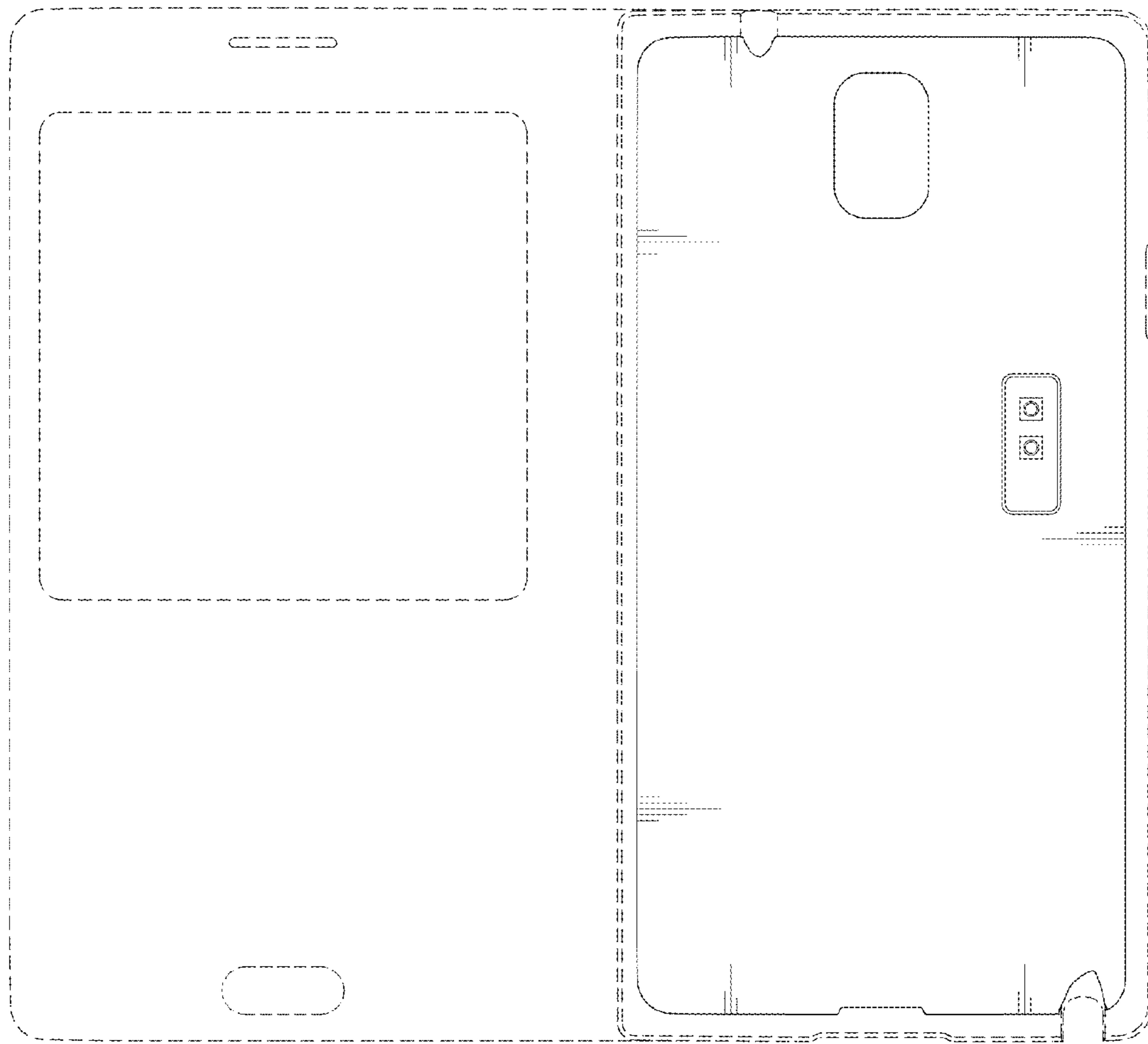


FIG. 3

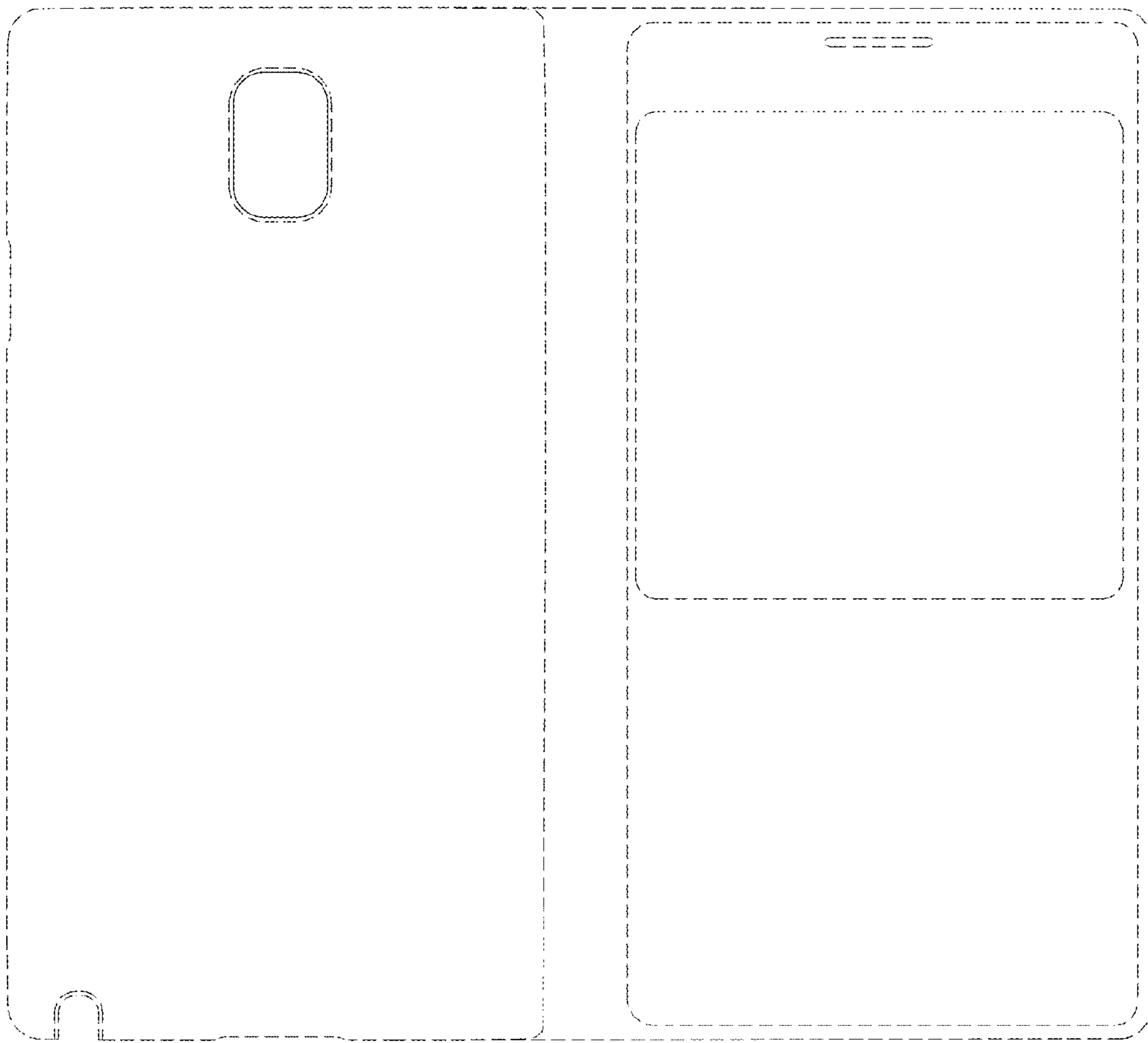


FIG. 4

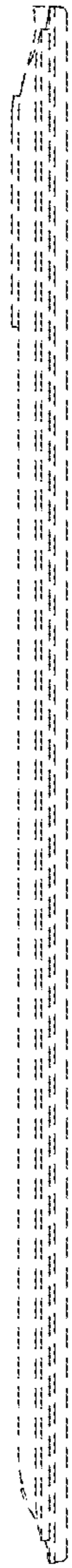


FIG. 5

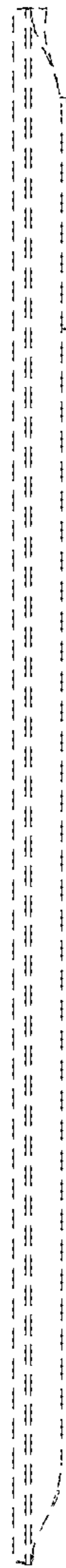


FIG. 6

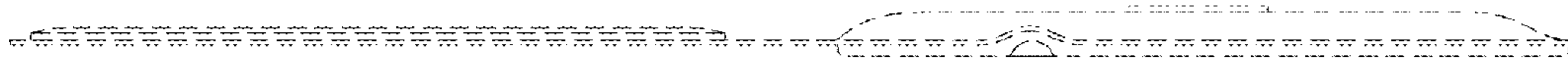


FIG. 7

