



US00D754643S

(12) **United States Design Patent**  
**Shin et al.**

(10) **Patent No.:** **US D754,643 S**

(45) **Date of Patent:** **\*\* Apr. 26, 2016**

(54) **COVER FOR ELECTRONIC DEVICE WITH DISPLAY**

D705,783 S \* 5/2014 Weng ..... D14/440  
D706,270 S \* 6/2014 Akana et al. .... D14/440  
8,763,795 B1 \* 7/2014 Oten et al. .... 206/45.23

(71) Applicant: **SAMSUNG ELECTRONICS CO., LTD.**, Suwon-si (KR)

(Continued)

*Primary Examiner* — Carla Jobe Wright

(72) Inventors: **Changbong Shin**, Suwonsi (KR);  
**SungJin Park**, Seoul (KR); **JongIn Lee**,  
Suwonsi (KR)

(74) *Attorney, Agent, or Firm* — Ladas & Parry LLP

(57) **CLAIM**

The ornamental design for a cover for electronic device with display, as shown and described.

(73) Assignee: **SAMSUNG ELECTRONICS CO., LTD.**, Suwon-Si, Gyeonggi-Do (KR)

**DESCRIPTION**

(\*\*) Term: **14 Years**

FIG. 1 is a front perspective view of a cover for electronic device with display showing our new design;

(21) Appl. No.: **29/468,248**

FIG. 2 is a front view thereof;

(22) Filed: **Sep. 27, 2013**

FIG. 3 is a rear view thereof;

(51) **LOC (10) Cl.** ..... **14-03**

FIG. 4 is a left-side view thereof;

(52) **U.S. Cl.**

FIG. 5 is a right-side view thereof;

USPC ..... **D14/250**

FIG. 6 is a top view thereof;

(58) **Field of Classification Search**

FIG. 7 is a bottom view thereof;

USPC ..... D14/238.1, 250, 440, 203.3–203.7, 217,

FIG. 8 is a rear perspective view thereof;

D14/240, 248, 251–253, 447, 496, 144, 149,

FIG. 9 is a front perspective view of the cover for electronic device with display shown in an example environment;

D14/159, 172, 194, 204, 221, 224.1;

FIG. 10 is a front view of the cover for electronic device with display shown in an example environment;

D3/201, 218, 247, 269, 273, 301, 303;

FIG. 11 is a front perspective view of another embodiment of a cover for electronic device with display showing our new design;

D13/103, 107–108, 119

FIG. 12 is a front view thereof;

CPC ..... A45C 1/06; A45C 11/00; A45C 13/02;

FIG. 13 is a rear view thereof;

A45C 2011/002; A45F 5/02; A45F 2005/026;

FIG. 14 is a left-side view thereof;

A45F 2200/0525; A45F 2200/0516; H04B

FIG. 15 is a right-side view thereof;

1/3888; H04M 1/0283; H04M 1/0202

FIG. 16 is a top view thereof;

See application file for complete search history.

FIG. 17 is a bottom view thereof;

(56) **References Cited**

FIG. 18 is a rear perspective view thereof;

U.S. PATENT DOCUMENTS

FIG. 19 is a front perspective view of the cover for electronic device with display shown in an example environment; and,

D624,064 S \* 9/2010 Esposito ..... D14/250

FIG. 20 is a front view of the cover for electronic device with display shown in an example environment.

D676,448 S \* 2/2013 Gorman et al. .... D14/440

The broken lines depict environmental structure that forms no part of the claimed design.

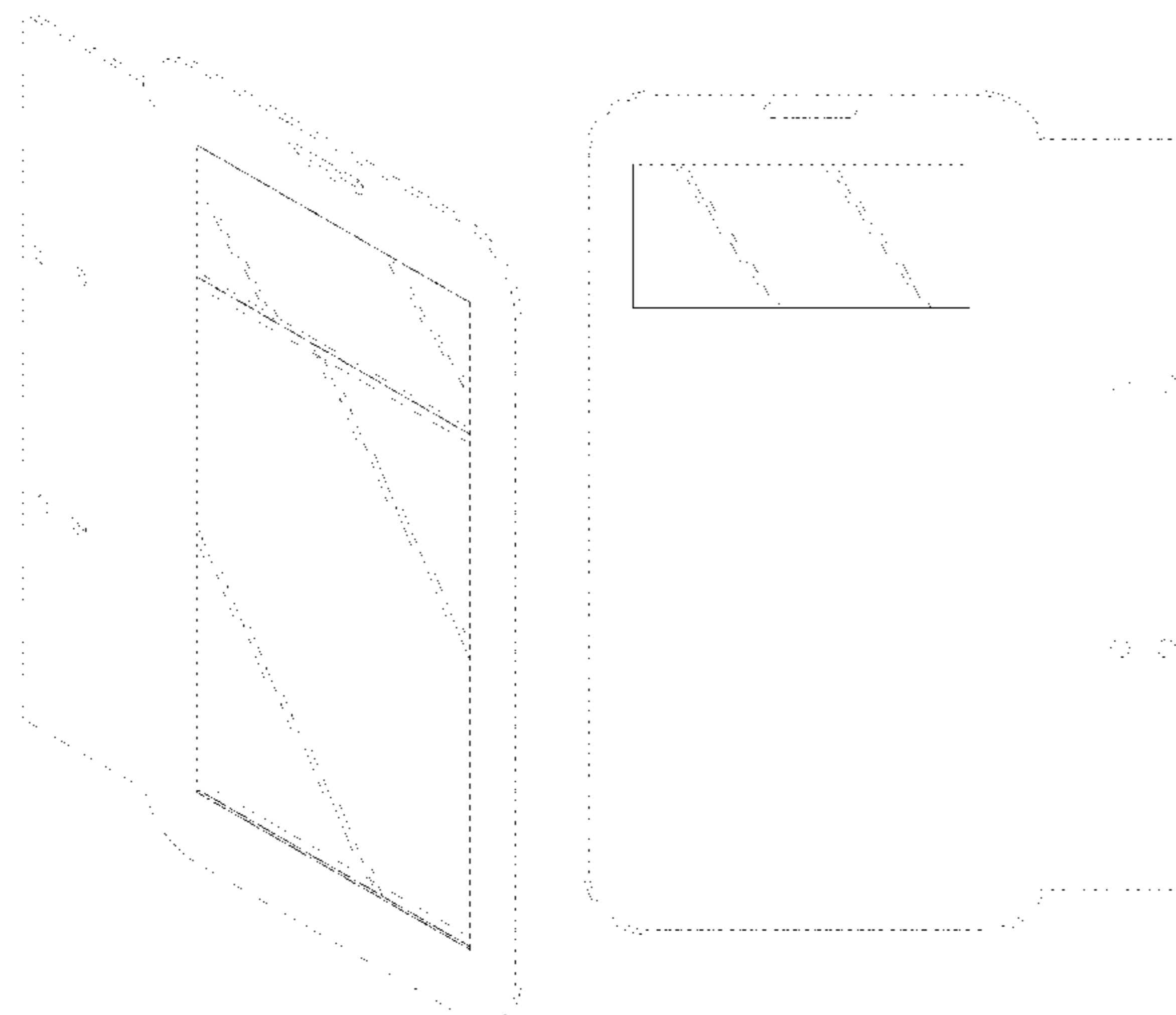
D682,279 S \* 5/2013 Fuchs ..... D14/440

**1 Claim, 20 Drawing Sheets**

D686,626 S \* 7/2013 Tan ..... D14/440

D695,745 S \* 12/2013 Kim ..... D14/440

D704,181 S \* 5/2014 Stevinson ..... D14/250



(56)

**References Cited**

U.S. PATENT DOCUMENTS

D713,834 S *	9/2014	Almstrom .....	D14/250	2012/0153116 A1 *	6/2012	Harrison .....	248/460
D723,020 S *	2/2015	Kim et al. ....	D14/250	2012/0220340 A1 *	8/2012	Sirpal et al. ....	455/566
D726,173 S *	4/2015	Kim et al. ....	D14/250	2012/0305424 A1 *	12/2012	Sogabe et al. ....	206/320
2003/0150756 A1 *	8/2003	Kajiya .....	206/320	2013/0015088 A1 *	1/2013	Wu .....	206/320
2011/0155630 A1 *	6/2011	Qin .....	206/701	2014/0166505 A1 *	6/2014	Yu et al. ....	206/37
2012/0087100 A1 *	4/2012	Ku .....	361/807	2014/0204511 A1 *	7/2014	Oh et al. ....	361/679.01
				2014/0376192 A1 *	12/2014	Park et al. ....	361/728
				2015/0024812 A1 *	1/2015	Xie et al. ....	455/575.8
				2015/0105128 A1 *	4/2015	Huang et al. ....	455/575.8

\* cited by examiner

FIG. 1

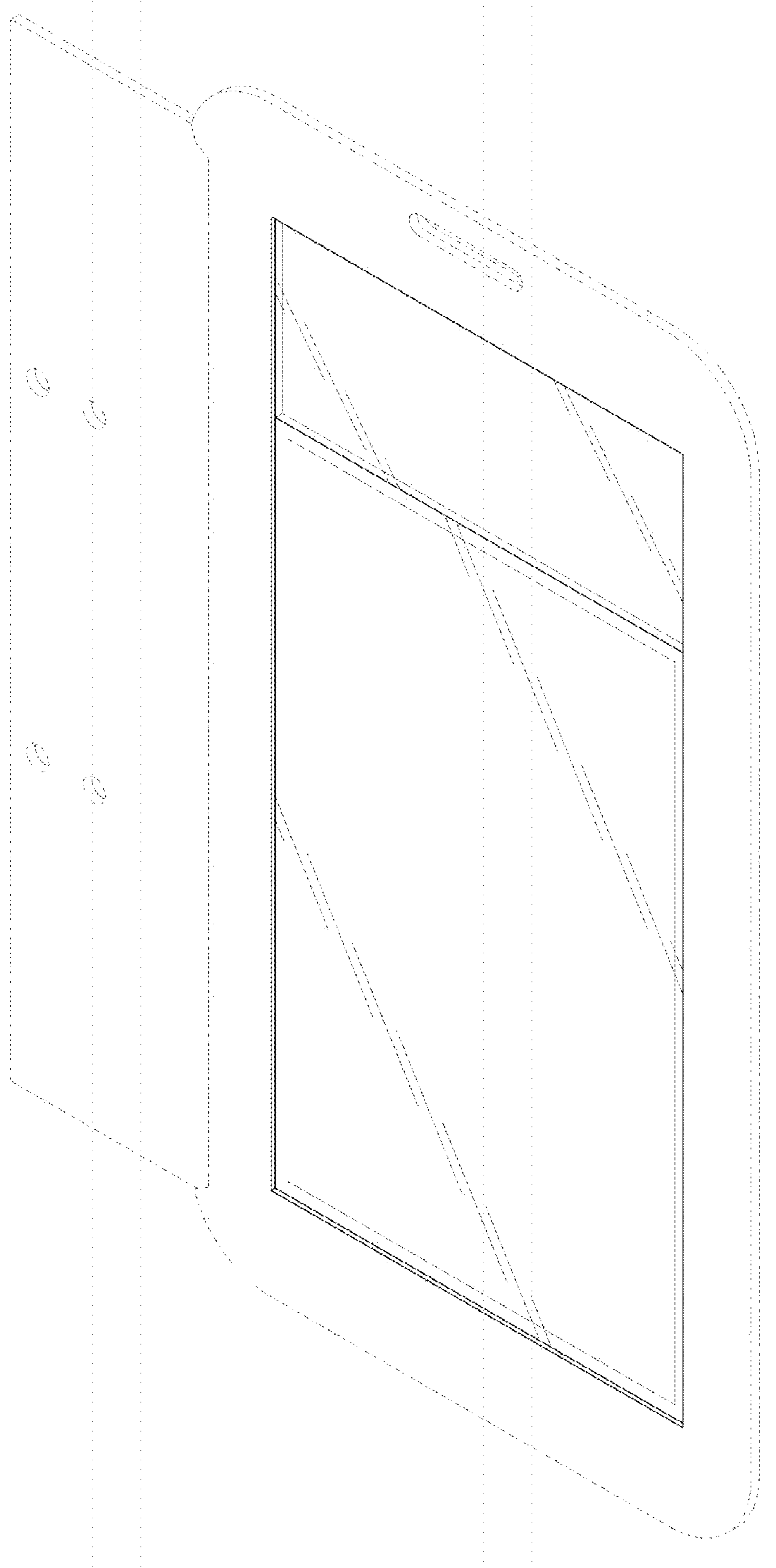


FIG. 2

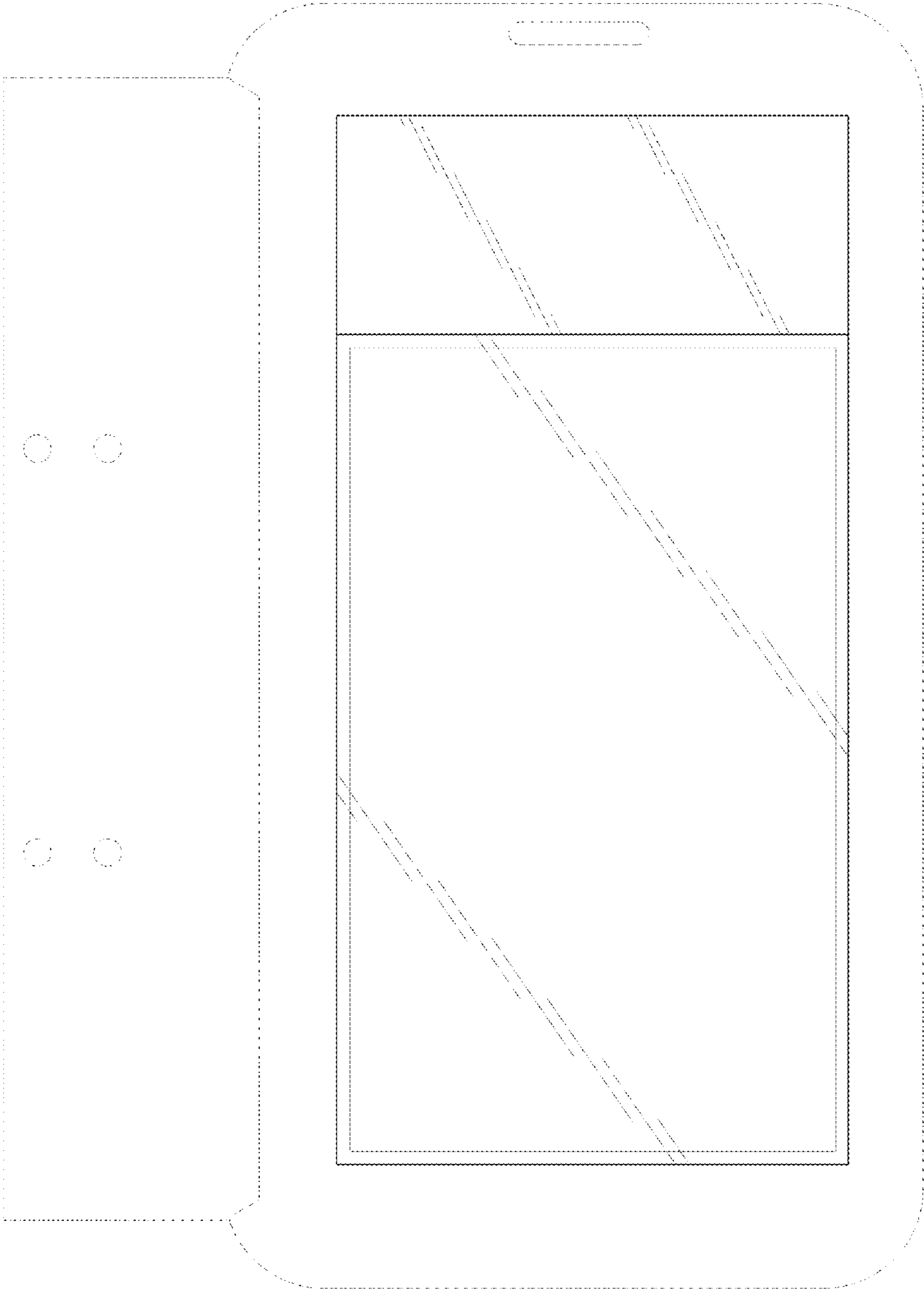
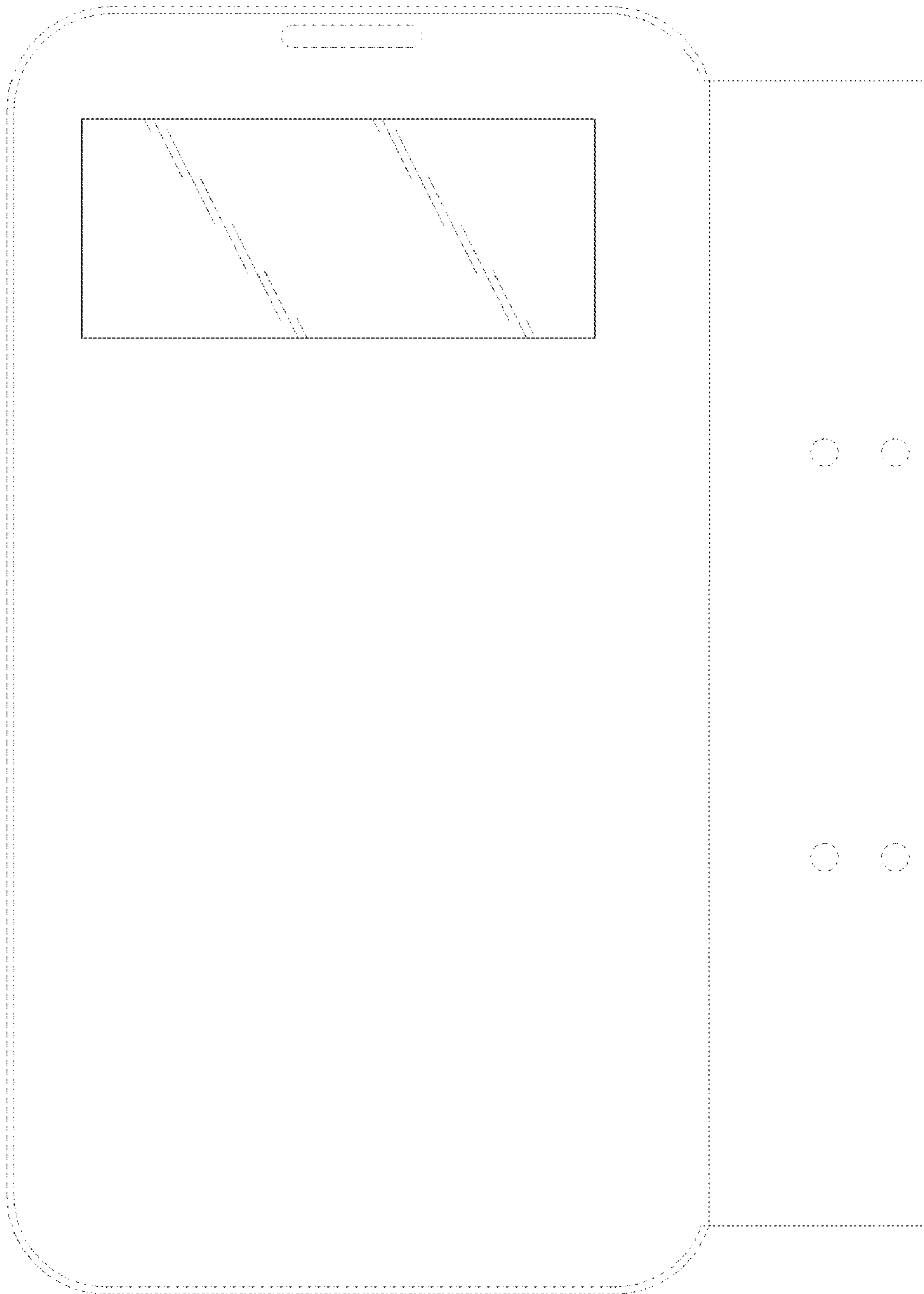
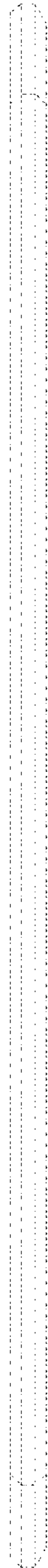


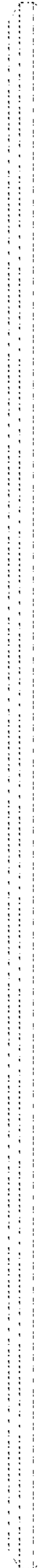
FIG. 3



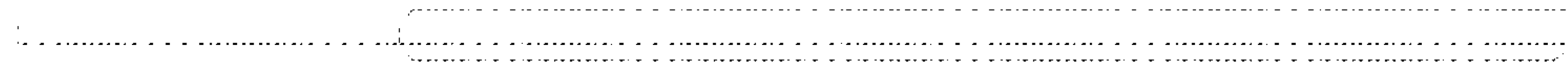
**FIG. 4**



**FIG. 5**



**FIG. 6**





**FIG. 7**

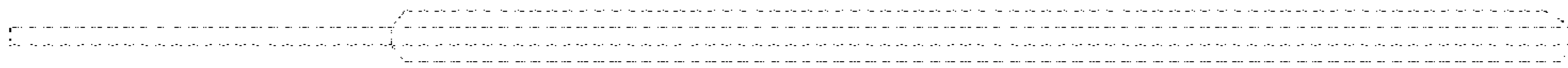


FIG. 8

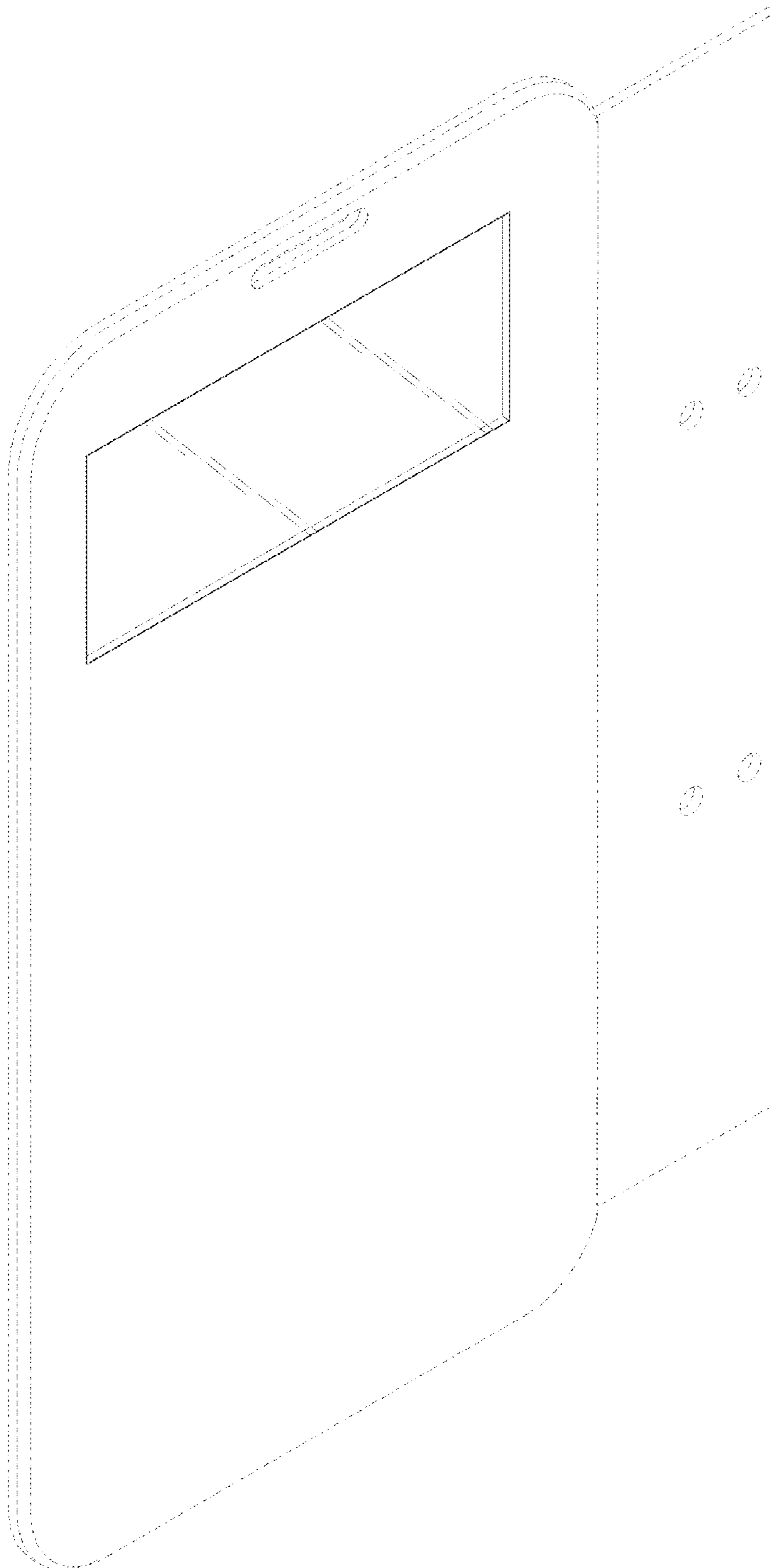


FIG. 9

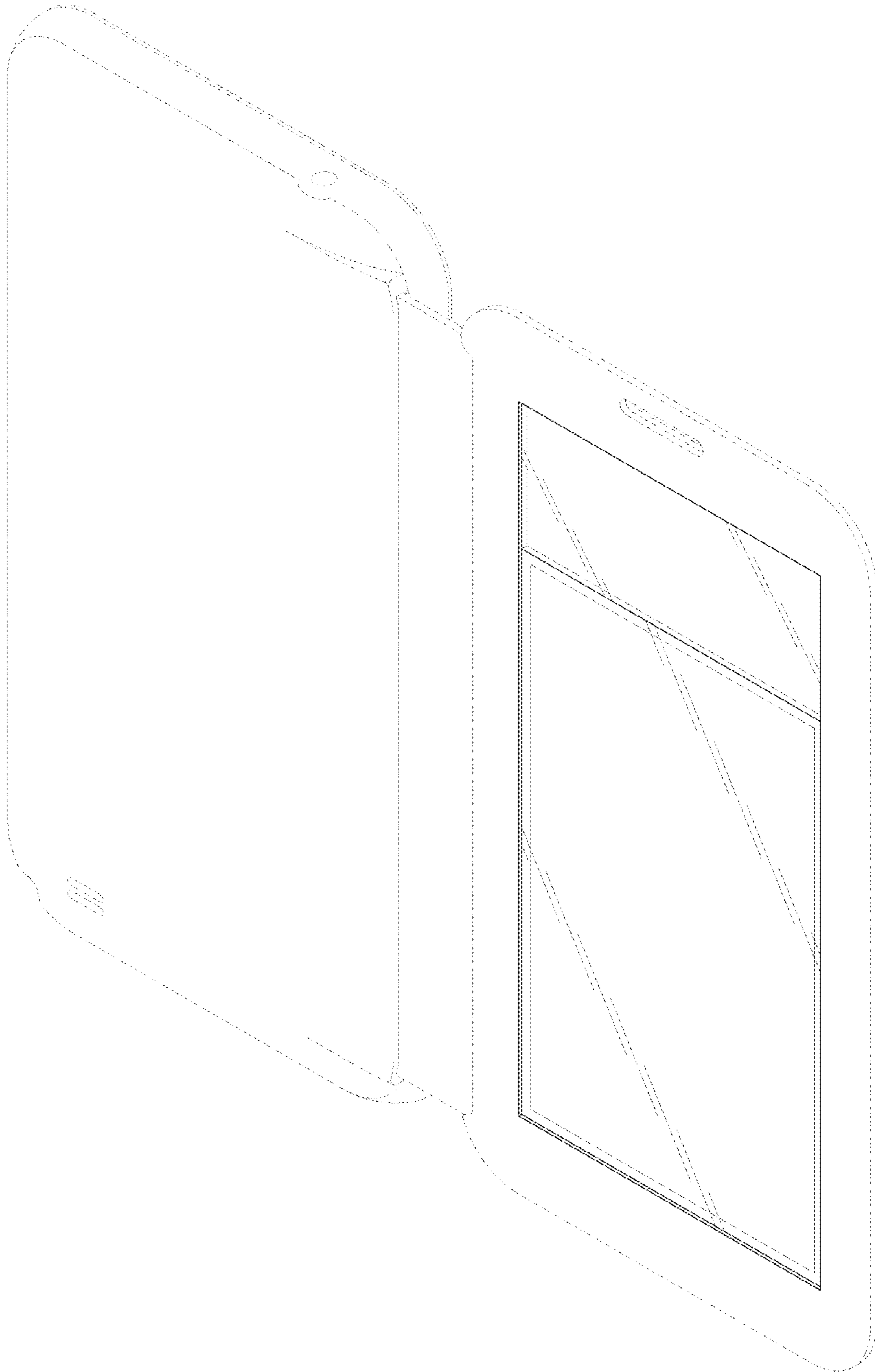


FIG. 10

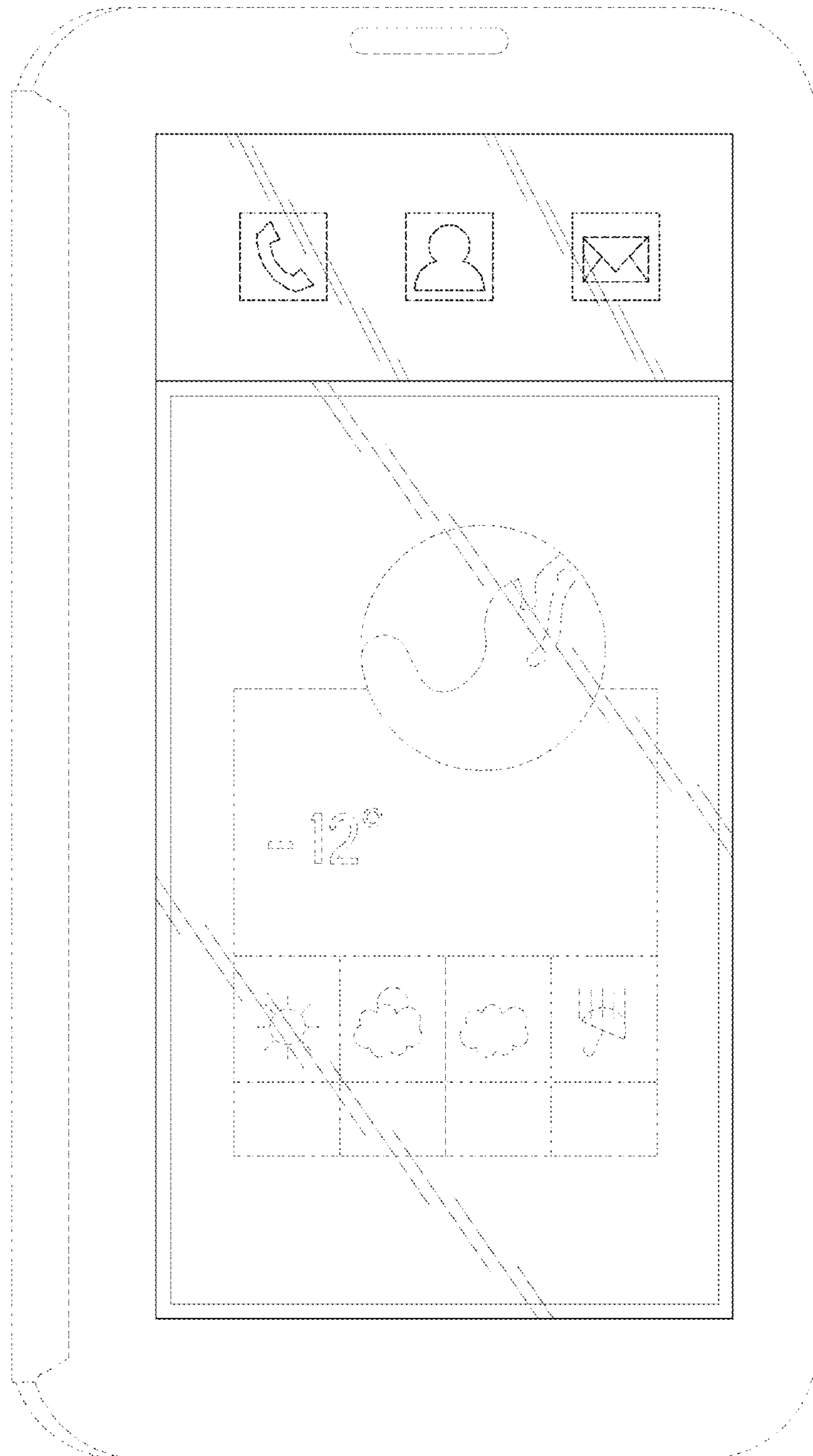


FIG. 11

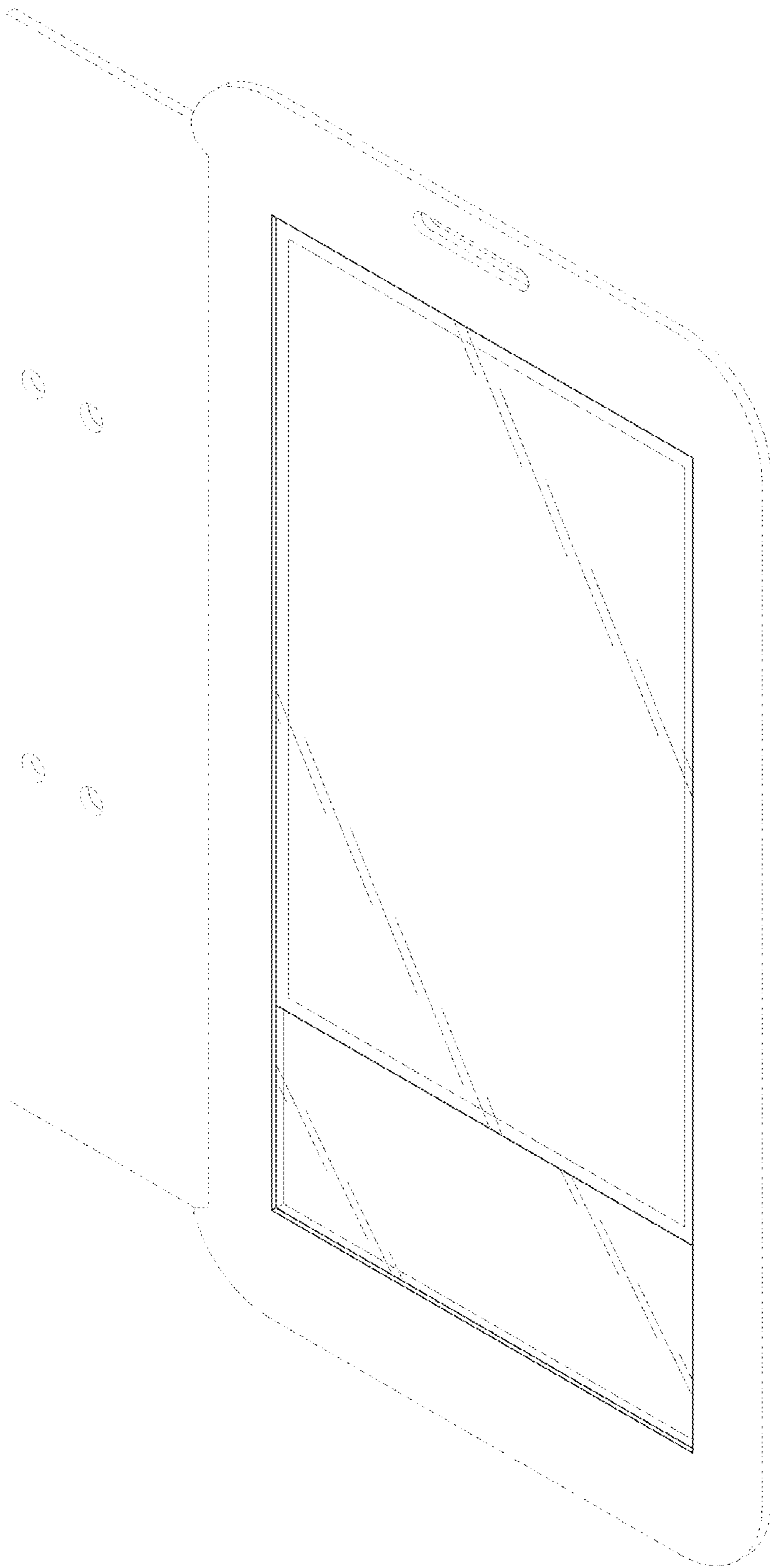


FIG. 12

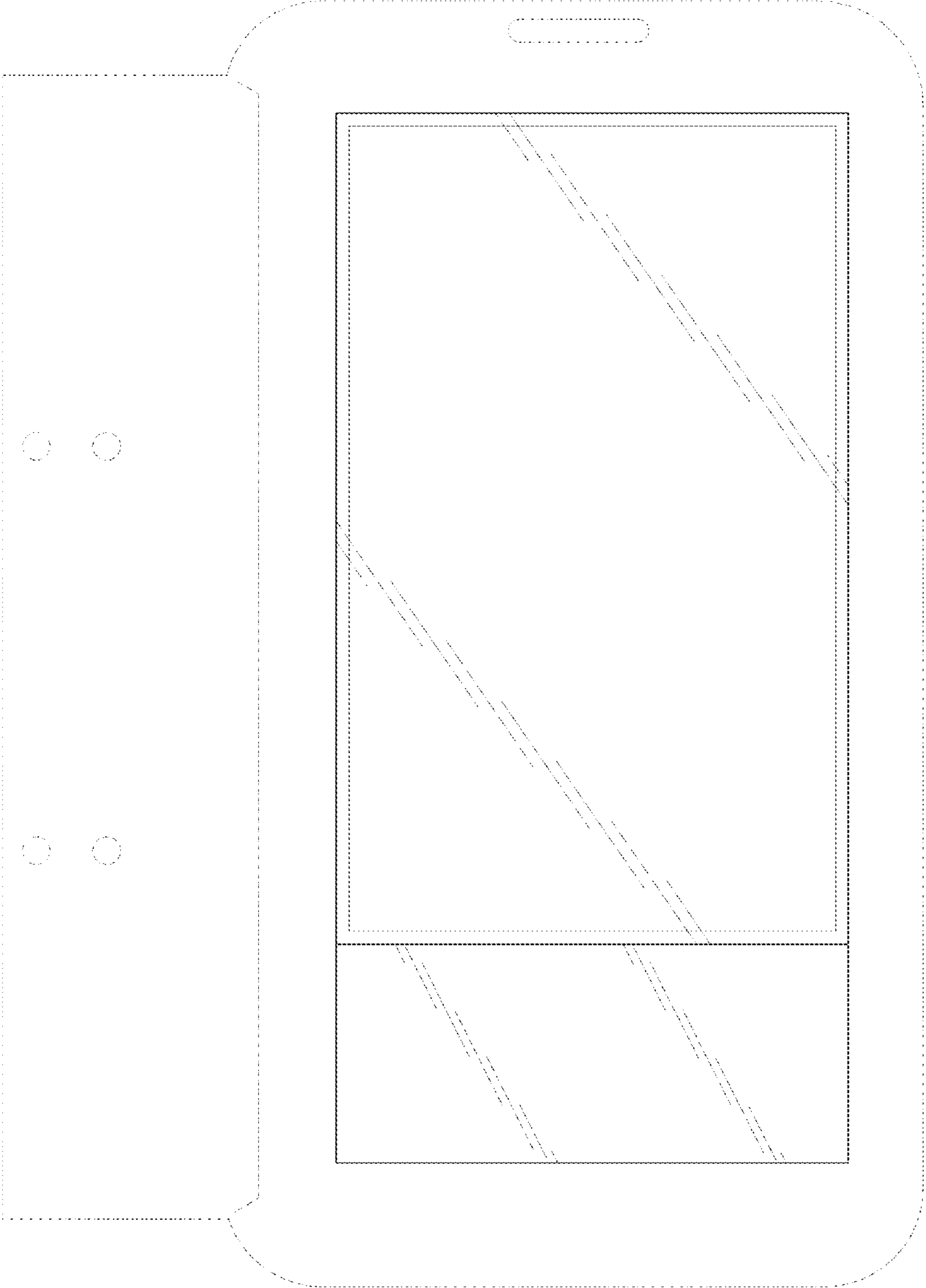
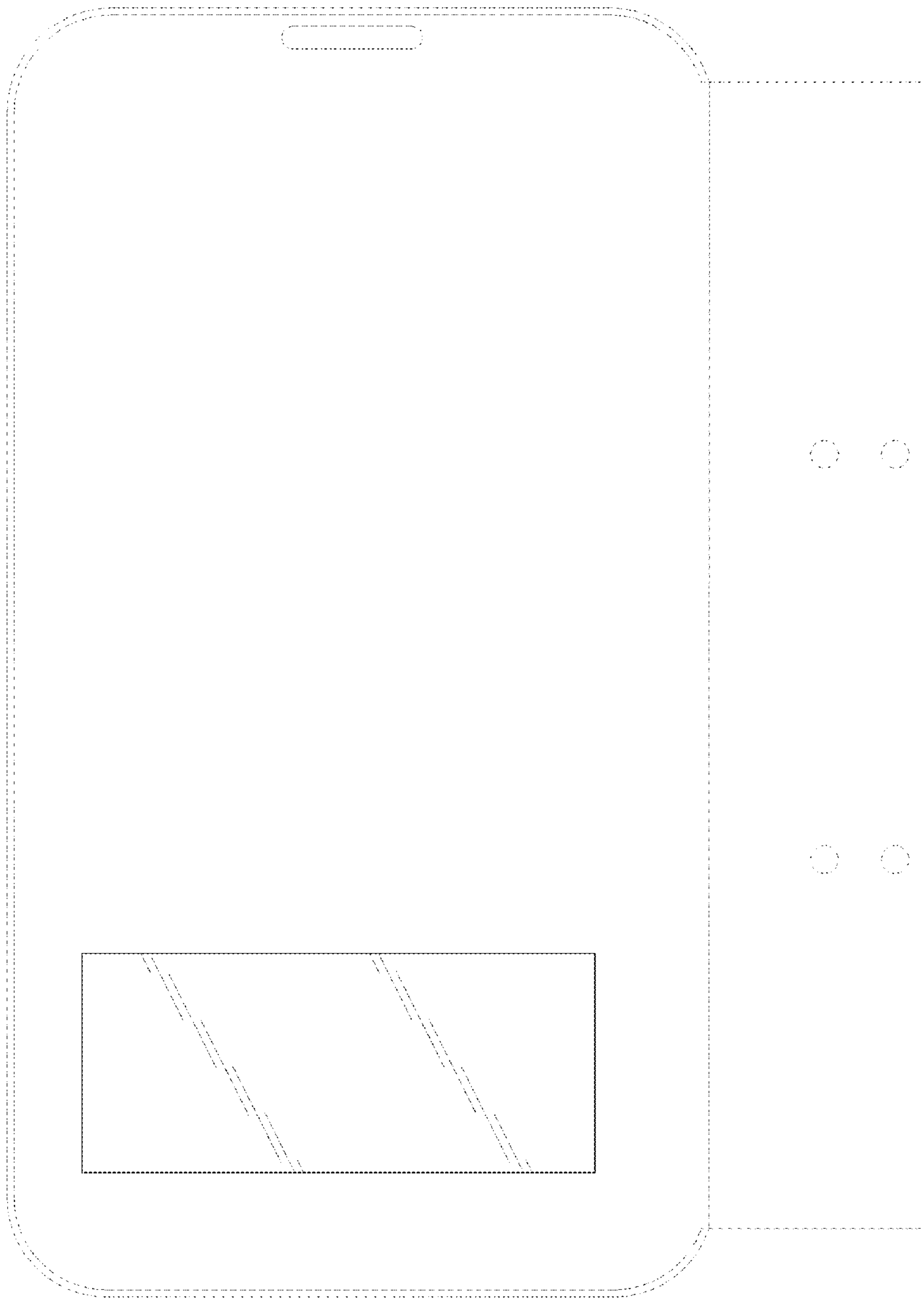
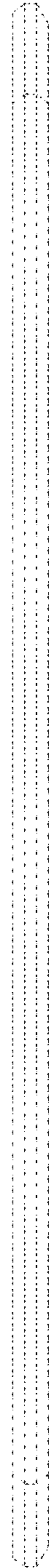


FIG. 13

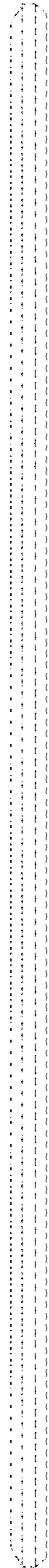


**FIG. 14**

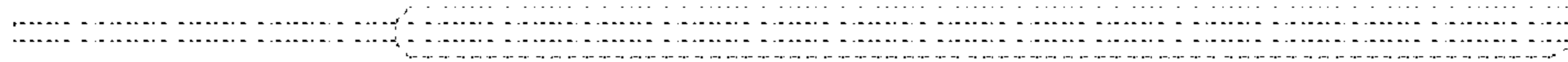




**FIG. 15**



**FIG. 16**



**FIG. 17**

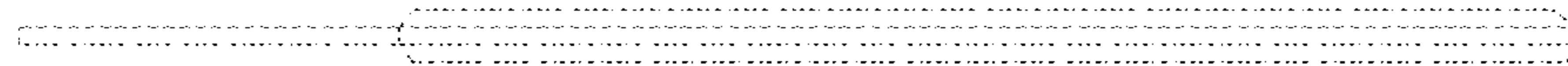


FIG. 18

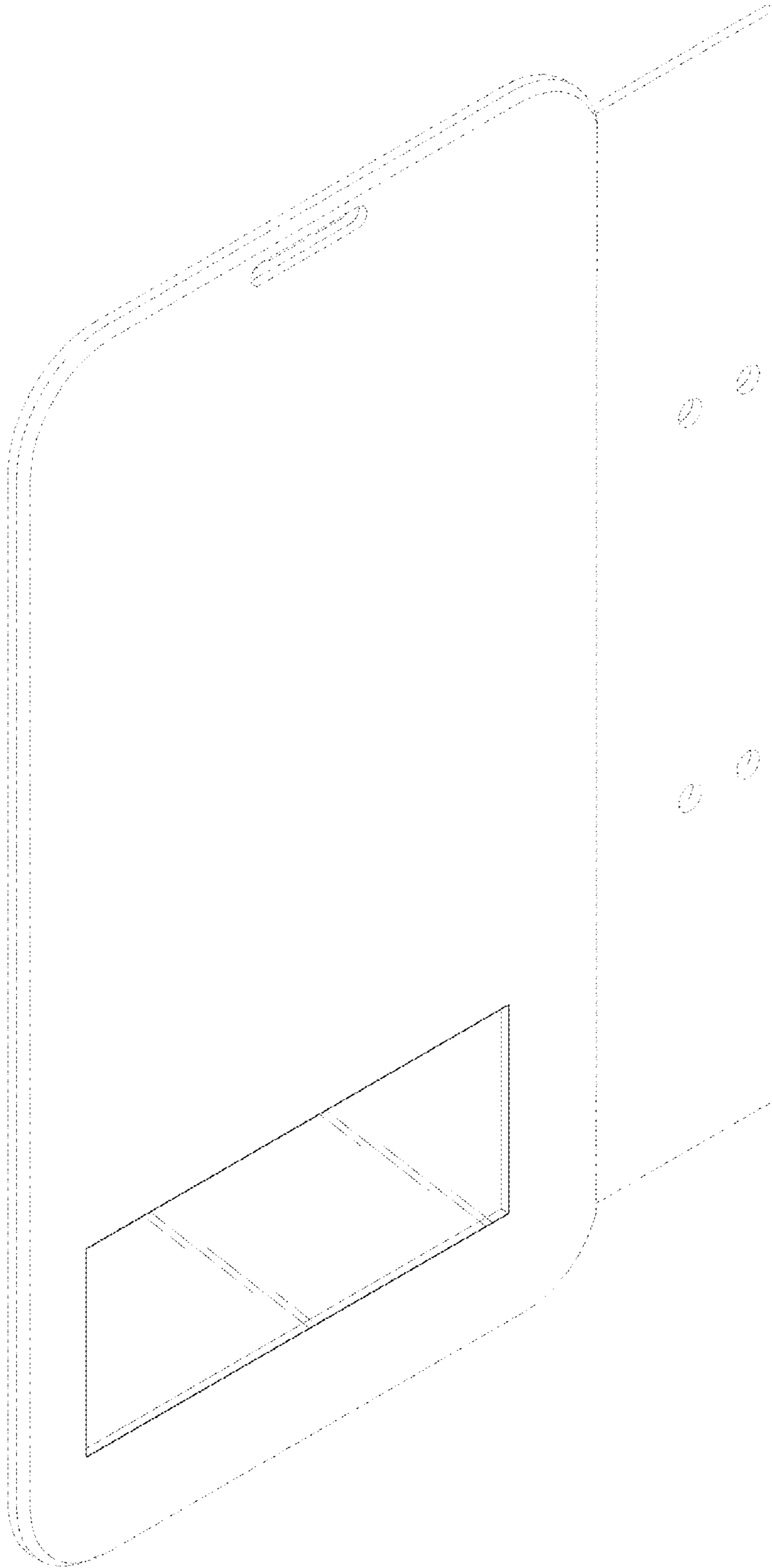


FIG. 19

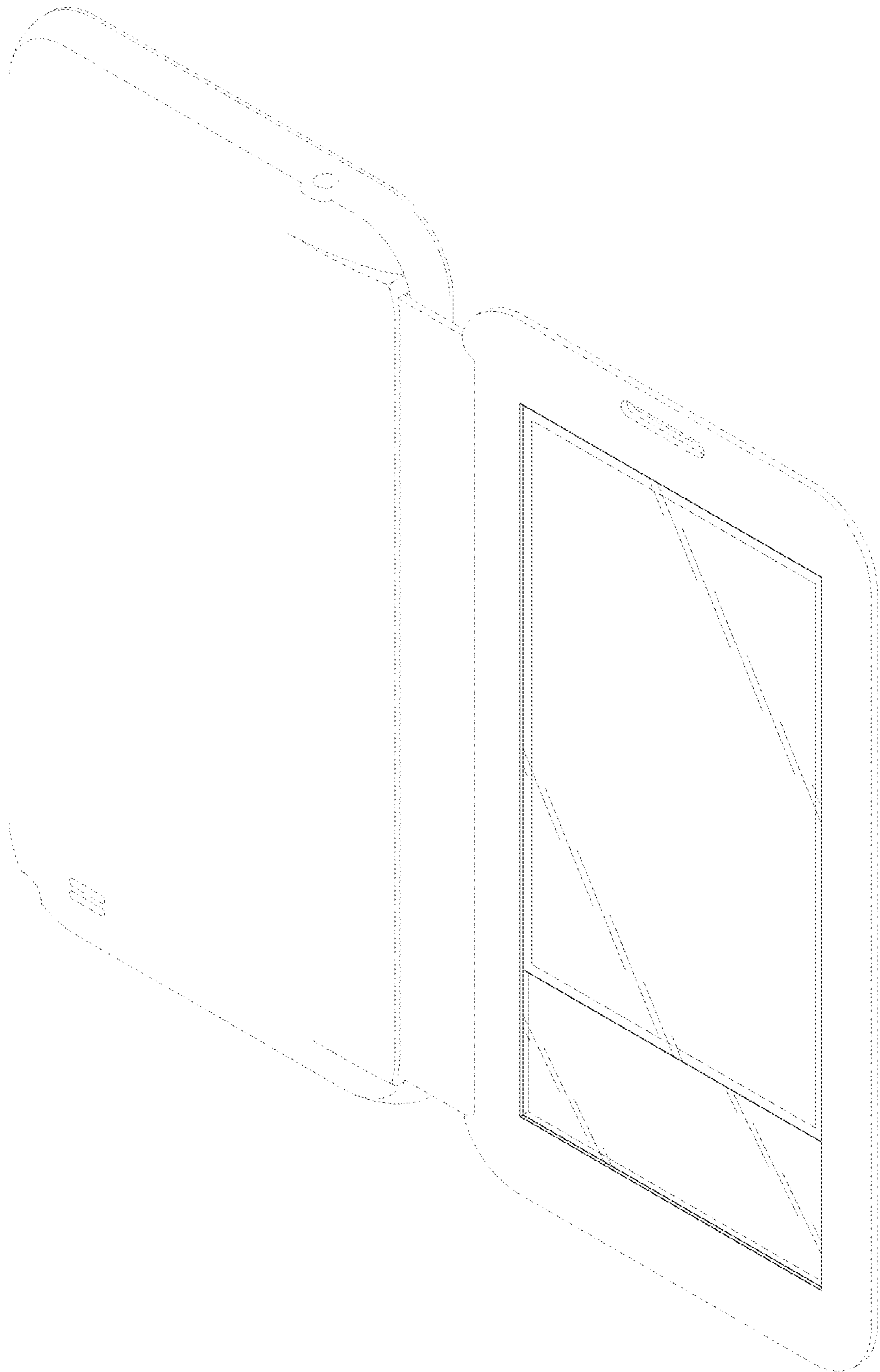


FIG. 20

