



US00D754637S

(12) **United States Design Patent**  
**Harper**

(10) **Patent No.:** **US D754,637 S**  
(45) **Date of Patent:** **\*\* Apr. 26, 2016**

- (54) **HEADSET ADAPTER AND AUDIO CONTROLLER**
- (71) Applicant: **Plantronics, Inc.**, Santa Cruz, CA (US)
- (72) Inventor: **Pierre Harper**, Santa Cruz, CA (US)
- (73) Assignee: **Plantronics, Inc.**, Santa Cruz, CA (US)
- (\*\*) Term: **14 Years**
- (21) Appl. No.: **29/512,747**
- (22) Filed: **Dec. 22, 2014**
- (51) **LOC (10) Cl.** ..... **14-01**
- (52) **U.S. Cl.**  
USPC ..... **D14/217; D14/206**
- (58) **Field of Classification Search**  
USPC ..... D14/217, 206, 137, 240, 256, 265, 188,  
D14/192, 433, 372; 379/430, 422; 381/370,  
381/371, 375; D29/112; 2/411, 421, 422  
CPC ..... H04M 1/00  
See application file for complete search history.

- (56) **References Cited**  
U.S. PATENT DOCUMENTS
- 2,186,072 A \* 1/1940 Huth ..... H04R 3/00  
381/378
- 2,521,423 A \* 9/1950 Stuck ..... H01M 2/1022  
334/76
- 2,826,644 A \* 3/1958 Pease ..... H03G 3/02  
381/109
- 3,324,260 A \* 6/1967 Schumacher ..... H01H 23/168  
200/51 R
- D212,863 S \* 12/1968 Roberts ..... 351/158
- 3,457,376 A \* 7/1969 Prescott ..... H04M 1/05  
379/430
- D215,661 S \* 10/1969 Richards ..... D14/155
- D232,099 S \* 7/1974 Tonari ..... D14/265
- D250,761 S \* 1/1979 Vong ..... D10/38
- D253,289 S \* 10/1979 Kato ..... D14/217
- 4,484,029 A \* 11/1984 Kenney ..... H04M 1/6066  
379/430
- 4,532,162 A \* 7/1985 Neece ..... B60R 11/00  
248/27.1

- 4,754,484 A \* 6/1988 Larkin ..... H04M 1/05  
379/419
- 4,764,961 A \* 8/1988 Hung ..... G11B 23/049  
381/308
- 4,788,724 A \* 12/1988 Lazzeroni ..... H04R 1/08  
2/422
- D306,725 S \* 3/1990 Tanaka ..... D14/137
- D310,907 S \* 10/1990 Mark ..... D14/192
- D314,964 S \* 2/1991 Chung ..... D14/188
- D315,561 S \* 3/1991 Miller ..... D14/192
- 5,018,204 A \* 5/1991 Christian ..... G10H 3/18  
381/118
- 5,159,706 A \* 10/1992 Hodsdon ..... H04B 1/38  
200/11 R
- D344,949 S \* 3/1994 So ..... D14/192
- D352,706 S \* 11/1994 Hong ..... D14/137
- D364,162 S \* 11/1995 Dagan ..... D14/188
- 5,590,209 A \* 12/1996 Pratt ..... H04R 1/083  
2/422
- D404,037 S \* 1/1999 Gomez ..... D13/108
- D420,665 S \* 2/2000 Rosenberg ..... D14/188
- D442,938 S \* 5/2001 Hough ..... D14/188

(Continued)

**OTHER PUBLICATIONS**

Unknown, "Astro Gaming A40 + Mixamp M80 Instruction Manual," 2013.

(Continued)

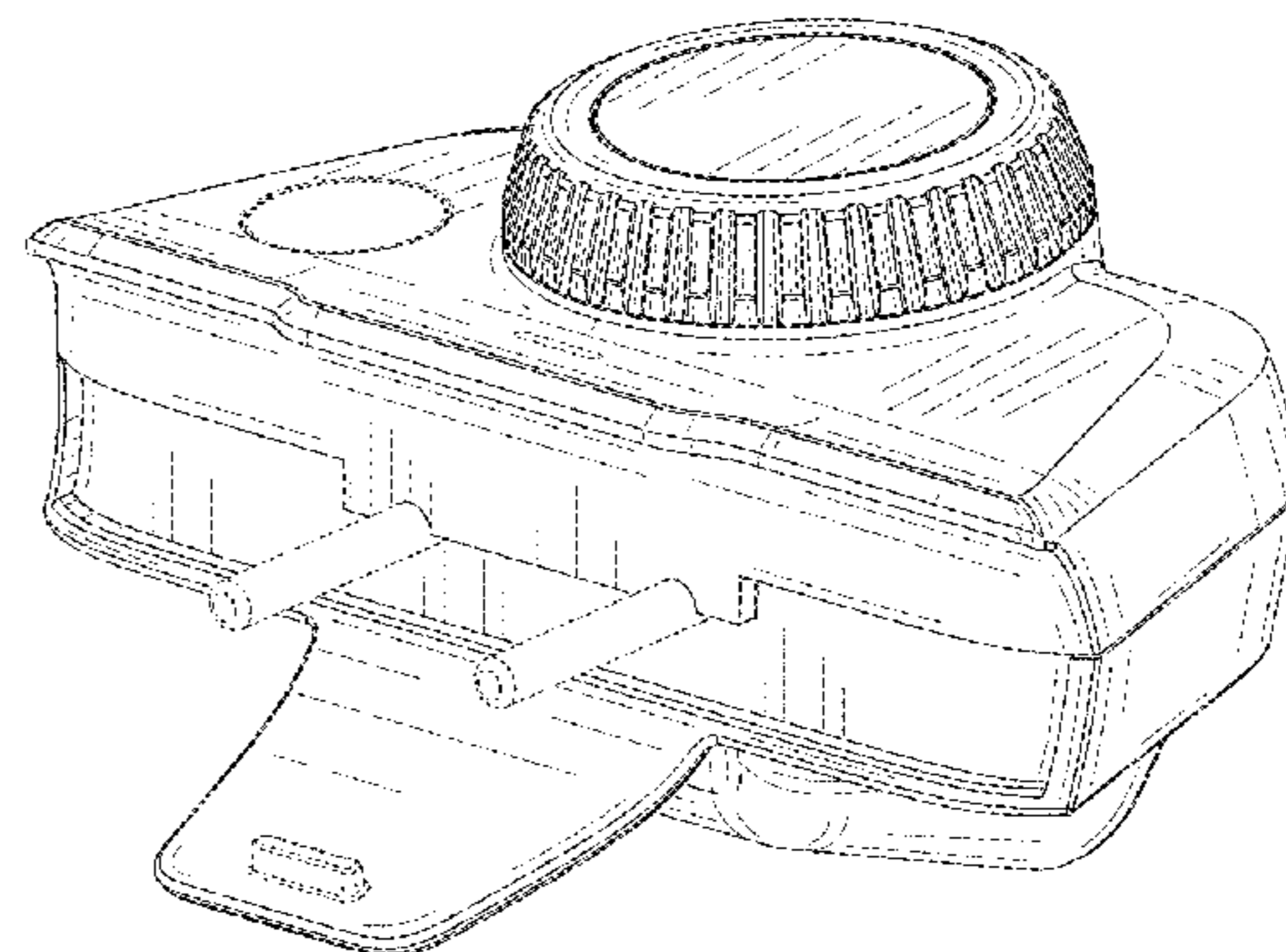
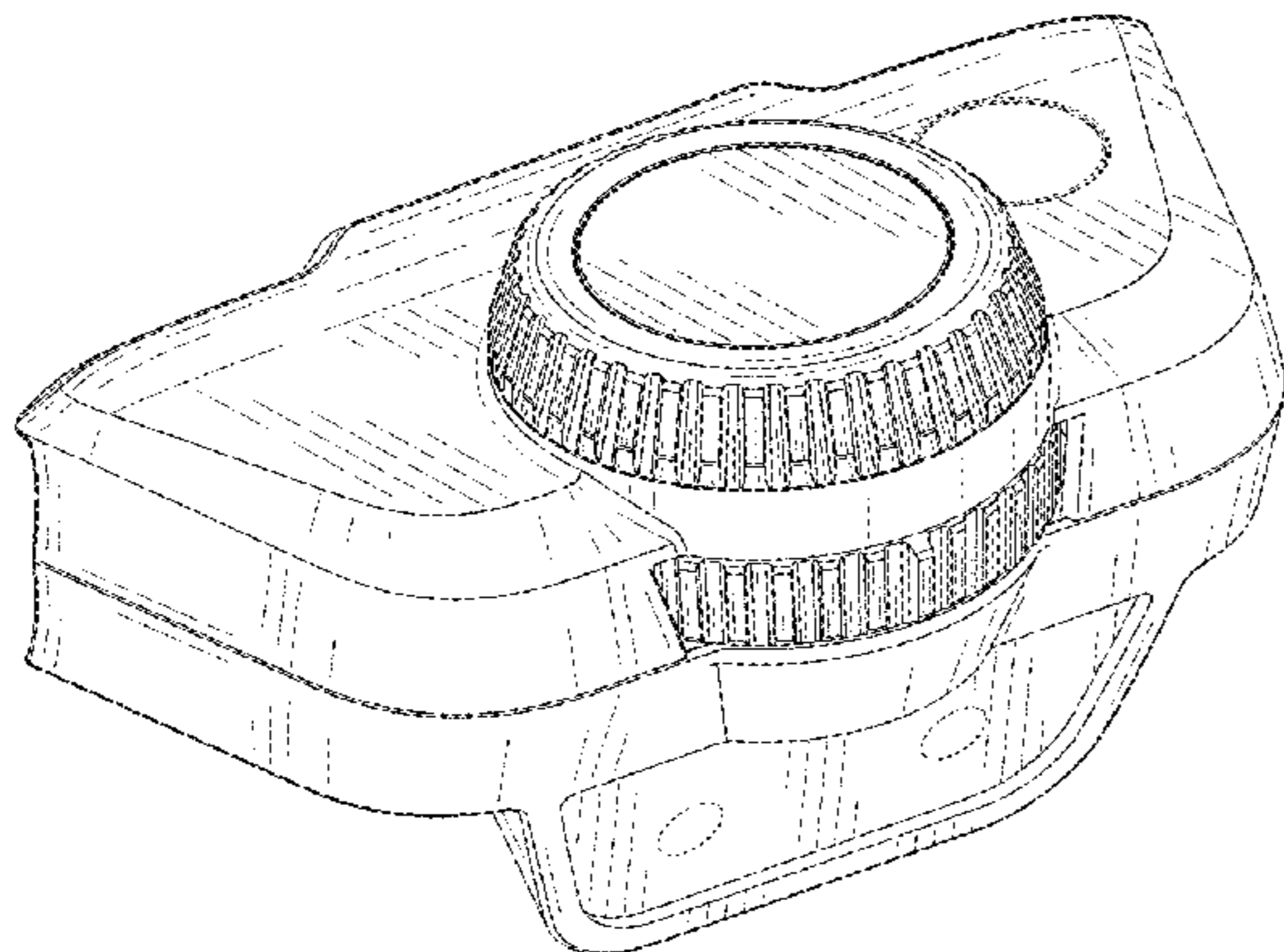
*Primary Examiner* — Paula Greene

(57) **CLAIM**  
The ornamental design for a headset adapter and audio controller, as shown and described.

**DESCRIPTION**

FIG. 1 is a front perspective view of a headset adapter and audio controller showing my new design; FIG. 2 is a back perspective view thereof; FIG. 3 is a front view thereof; FIG. 4 is a back view thereof; FIG. 5 is a left view thereof; FIG. 6 is a right view thereof; FIG. 7 is a top view thereof; and, FIG. 8 is a bottom view thereof. The broken lines showing the unclaimed features form no part of the claimed design.

**1 Claim, 4 Drawing Sheets**



(56)

**References Cited**

U.S. PATENT DOCUMENTS

D448,365 S \* 9/2001 Kerestegian ..... D14/240  
 D464,949 S \* 10/2002 DeKalb ..... D14/218  
 D471,535 S \* 3/2003 Bey ..... D14/218  
 D479,224 S \* 9/2003 Jeong ..... D14/206  
 D486,819 S \* 2/2004 Wilson ..... D14/240  
 6,754,361 B1 \* 6/2004 Hall ..... H04R 1/1025  
 379/430  
 7,031,475 B2 \* 4/2006 Kuraoka ..... H04M 1/0289  
 379/428.02  
 D536,692 S \* 2/2007 Alwicker ..... D14/188  
 D549,694 S \* 8/2007 Viduya ..... D14/205  
 D569,848 S \* 5/2008 Suzuki ..... D14/188  
 D575,771 S \* 8/2008 Tolve ..... D14/192  
 D595,262 S \* 6/2009 Nousiainen ..... D14/206  
 D596,615 S \* 7/2009 Wilson ..... D14/188  
 D602,002 S \* 10/2009 Asai ..... D14/206  
 D659,118 S \* 5/2012 Watters ..... D14/206  
 D661,281 S \* 6/2012 Mahaffy ..... D14/206

D663,715 S \* 7/2012 Glezerman ..... D14/205  
 D705,751 S \* 5/2014 Wenger ..... D14/206  
 2012/0077438 A1 \* 3/2012 Jung ..... A42B 3/30  
 455/41.2  
 2012/0189153 A1 \* 7/2012 Kushnirov ..... H04R 1/028  
 381/375

OTHER PUBLICATIONS

Unknown, "Polk Melee Xbox 360 Gaming Headphone Manual," 2013.  
 Unknown, "Striker Zx Xbox One Gaming Headset," found at URL <<http://www.polkaudio.com/striker-zx-xbox-one-gaming-headset/d/1230>>, 2014.  
 Unknown, "SteelSeries—North America—SteelSeries Spectrum Audio Mixer," found at URL <<http://steelseries.com/us/products/outlet/steelseries-spectrum-audio-mixer-xb>>, on Nov. 18, 2014.  
 Unknown, "Xbox One Stereo Headset Adapter," found at URL <<http://www.xbox.com/en-US/xbox-one/accessories/headsets/stereo-headset-adapter>>, 2014.

\* cited by examiner



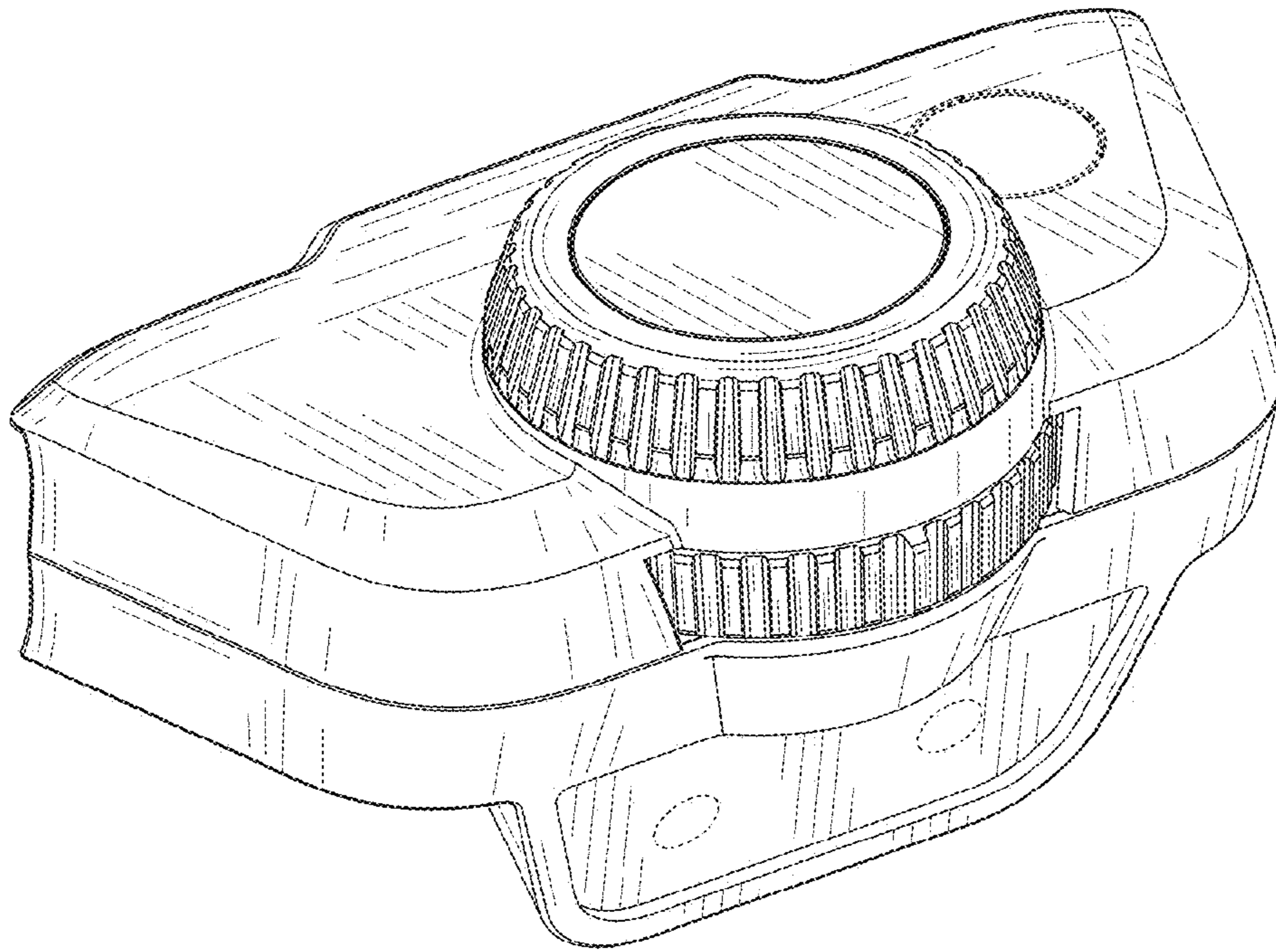


FIG. 1

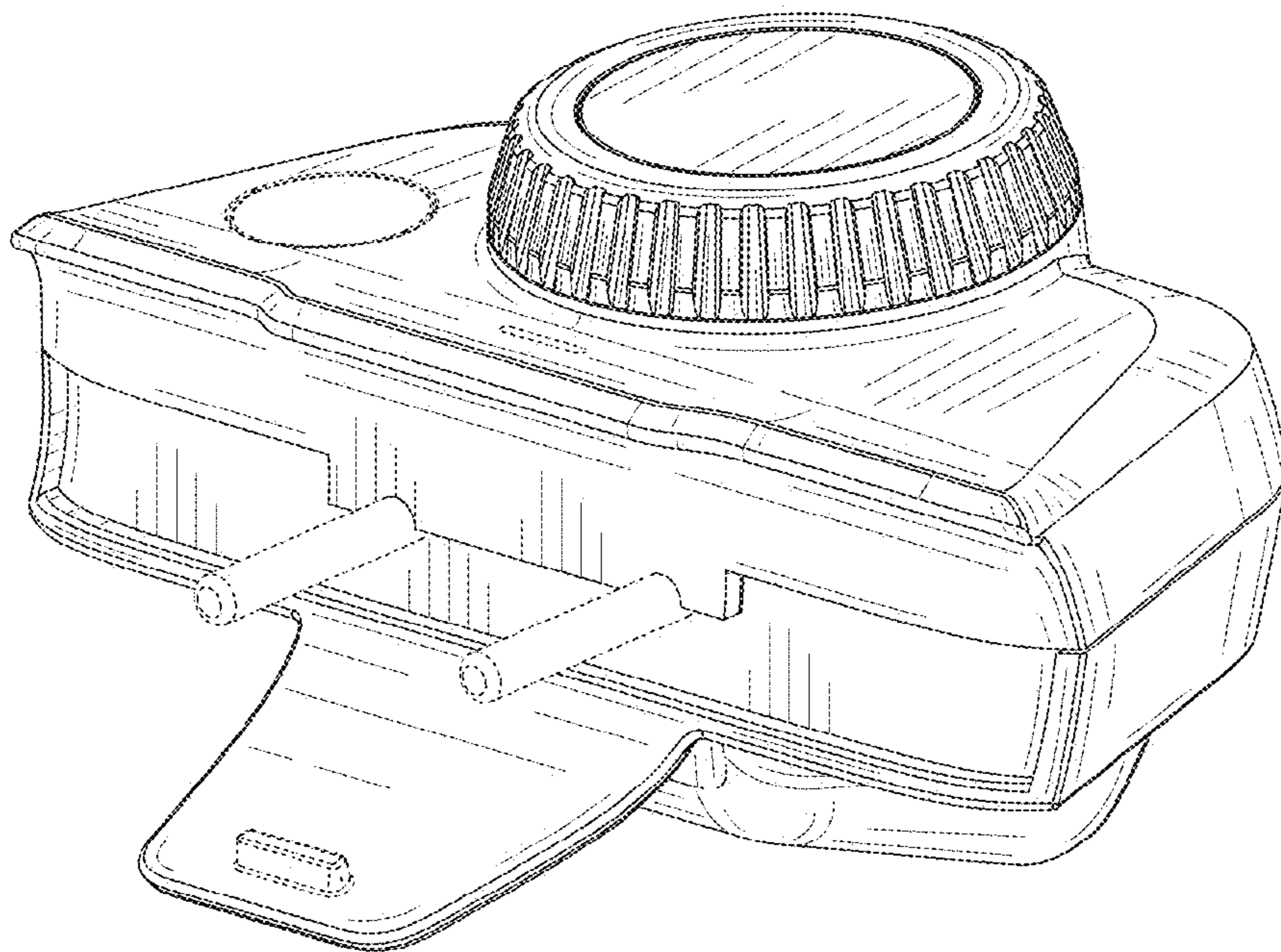


FIG. 2

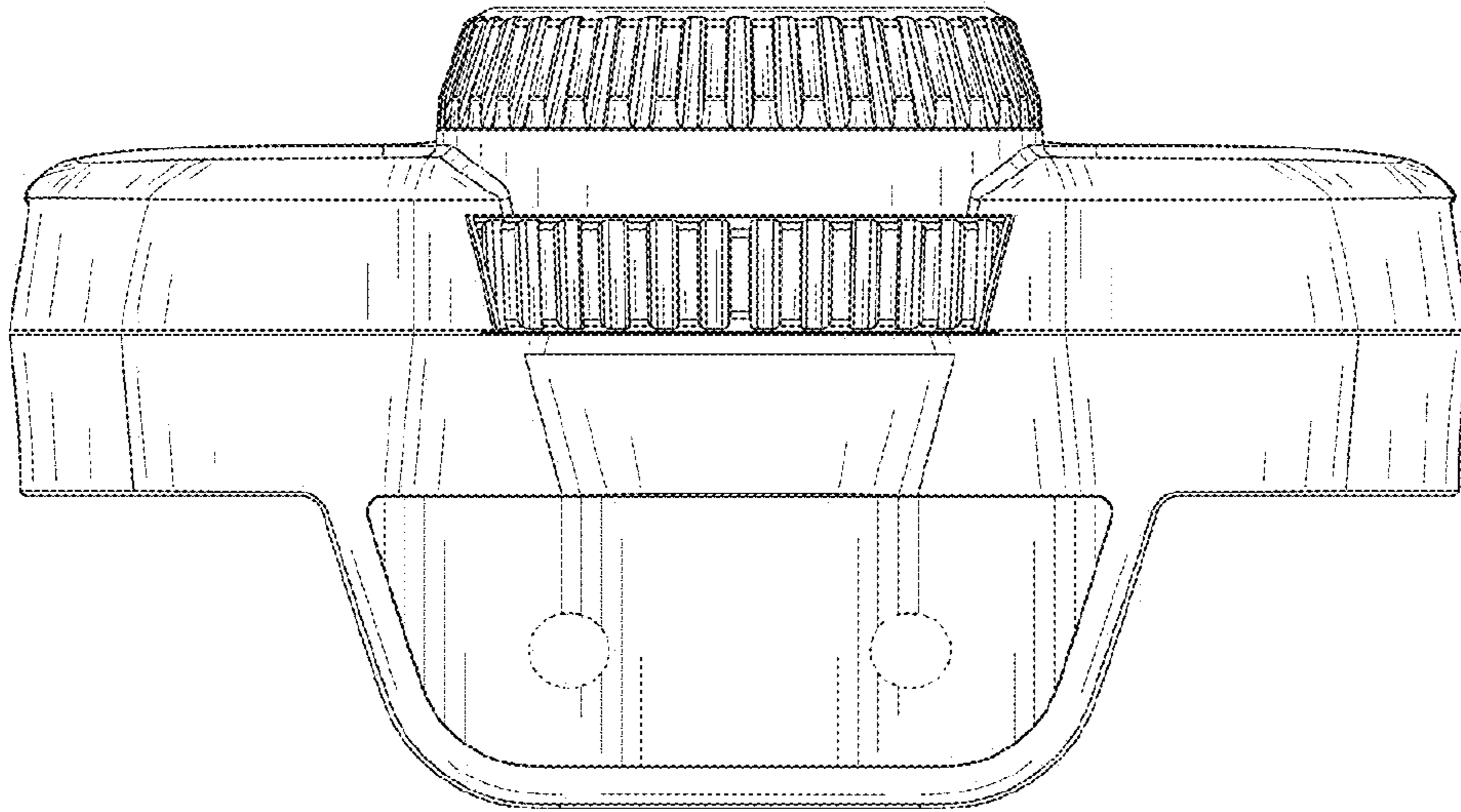


FIG. 3

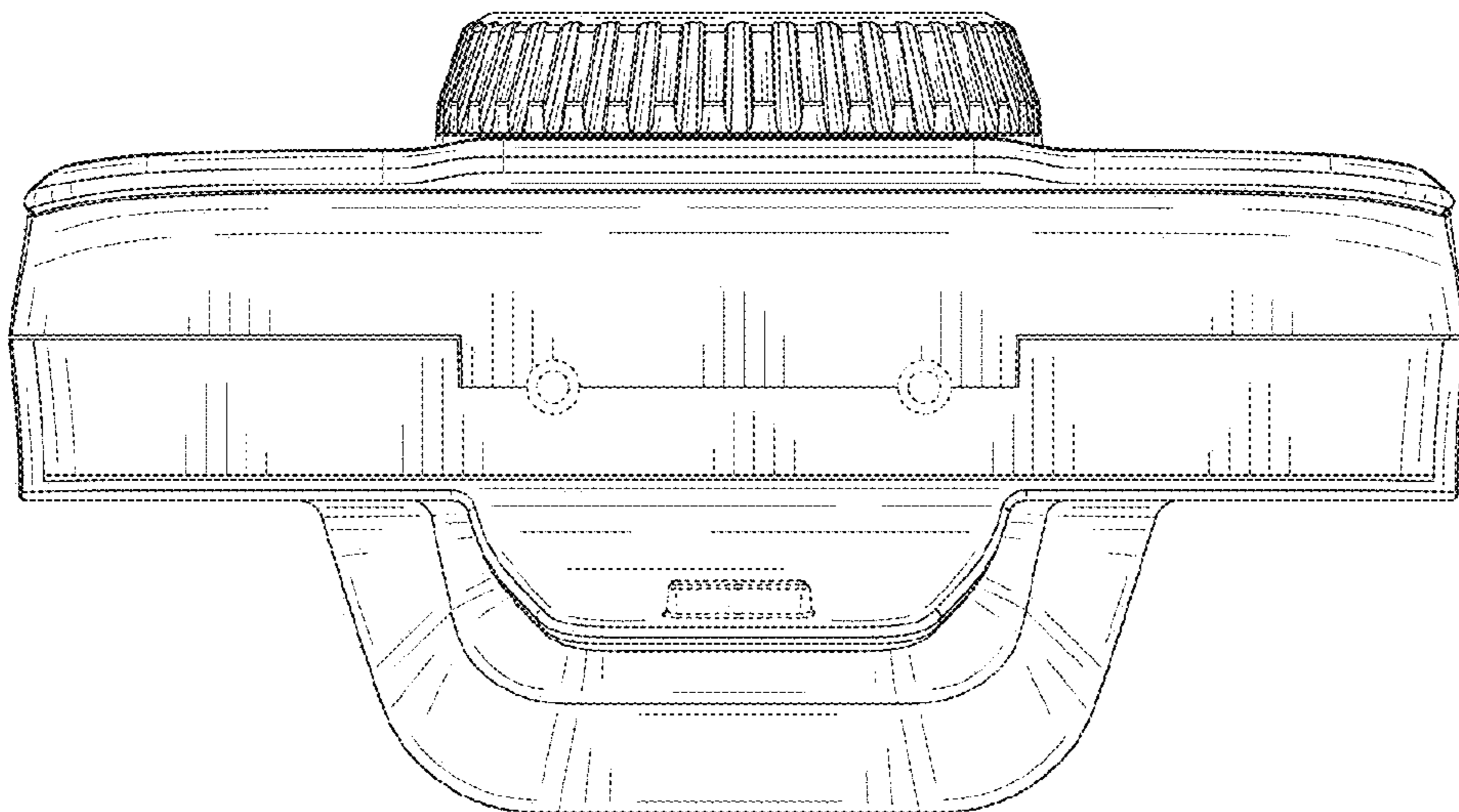
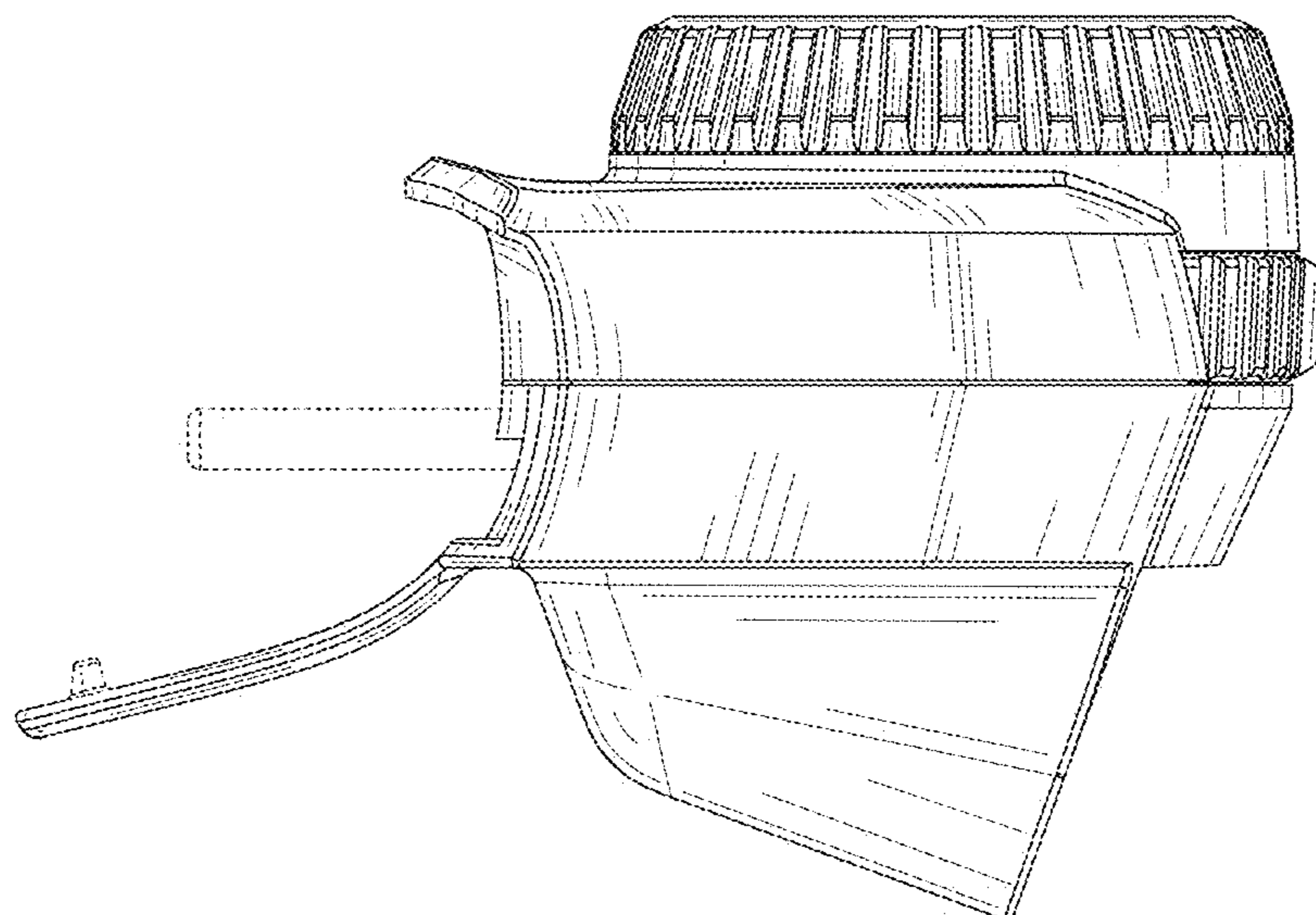
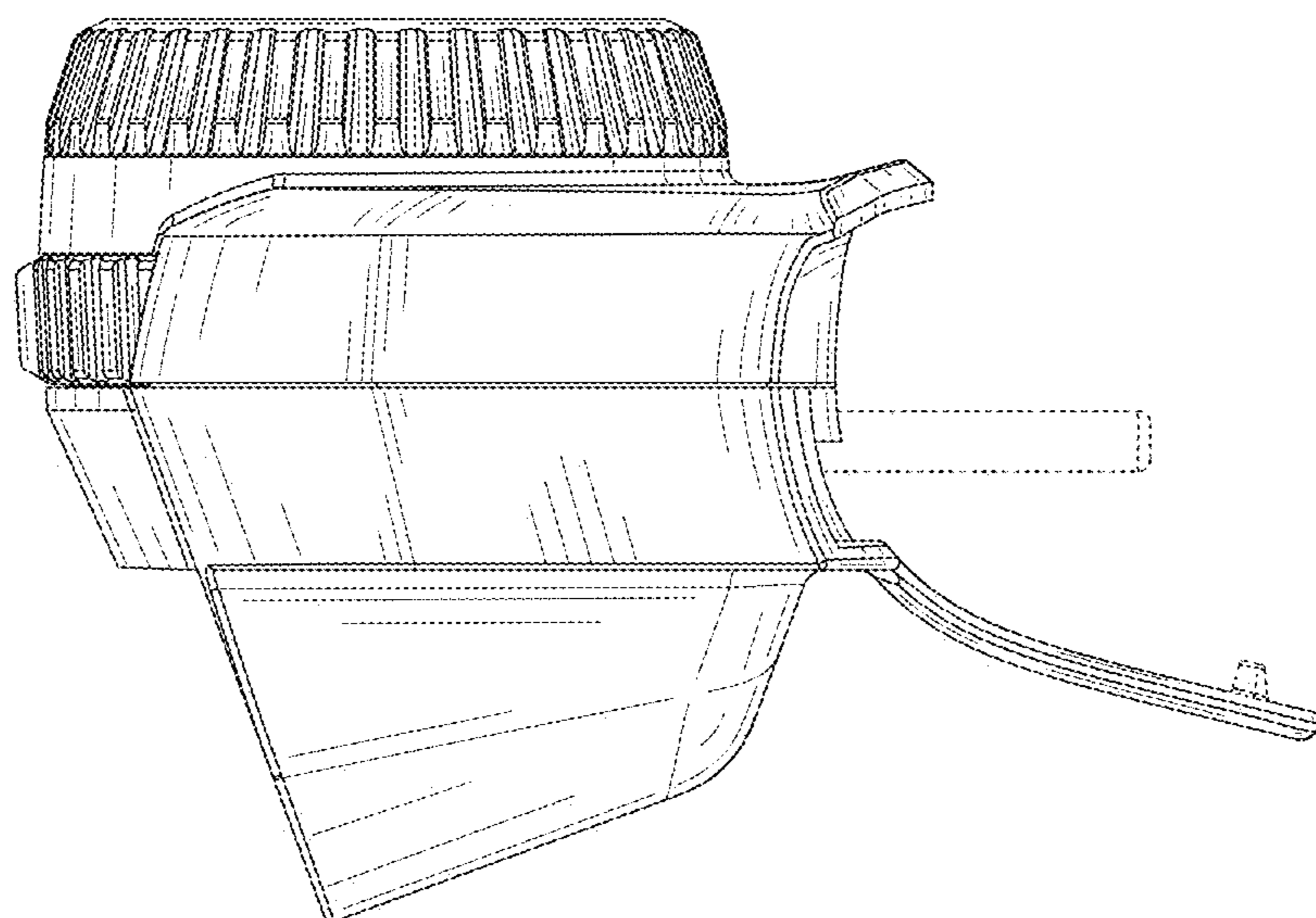


FIG. 4



**FIG. 5**



**FIG. 6**



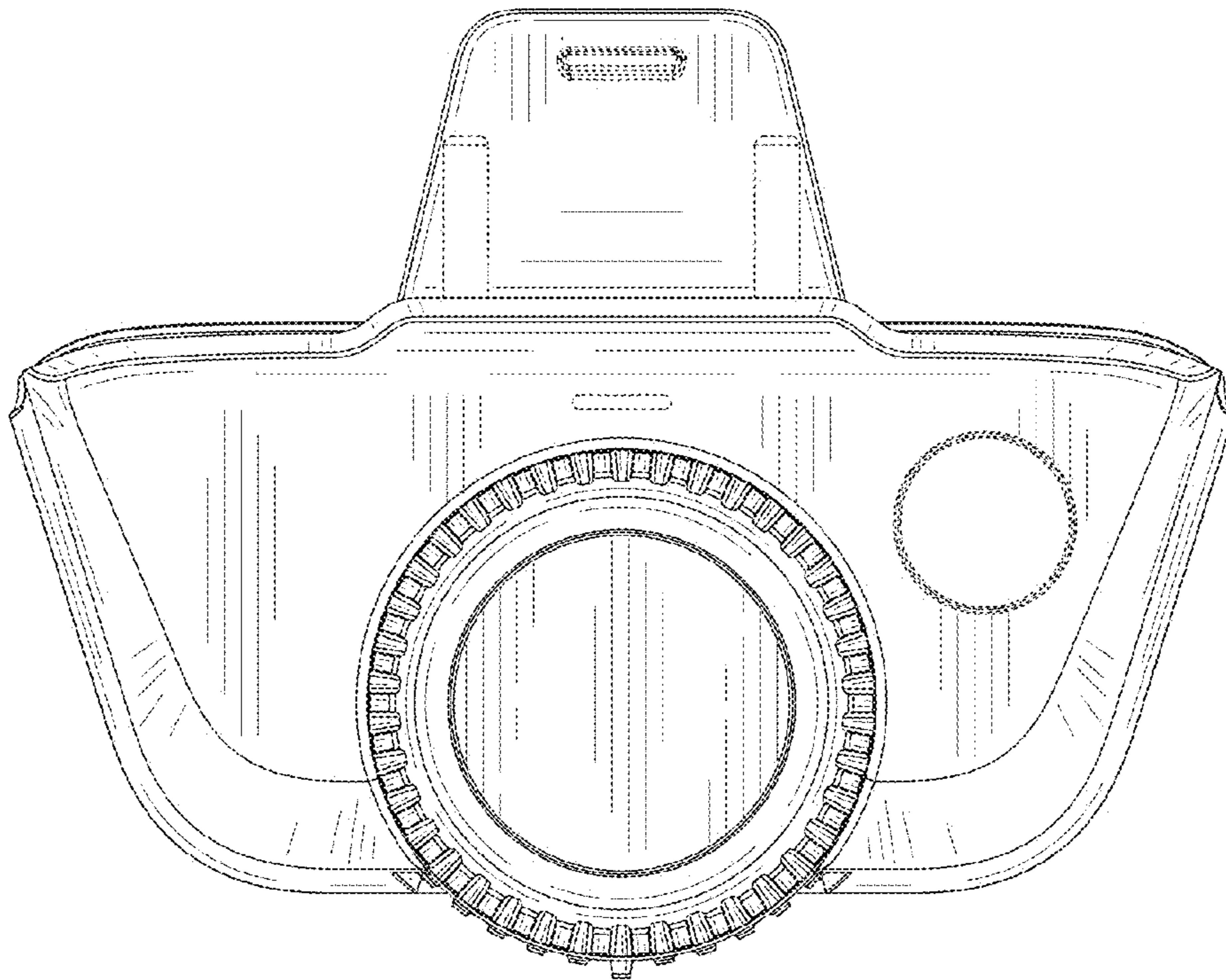


FIG. 7

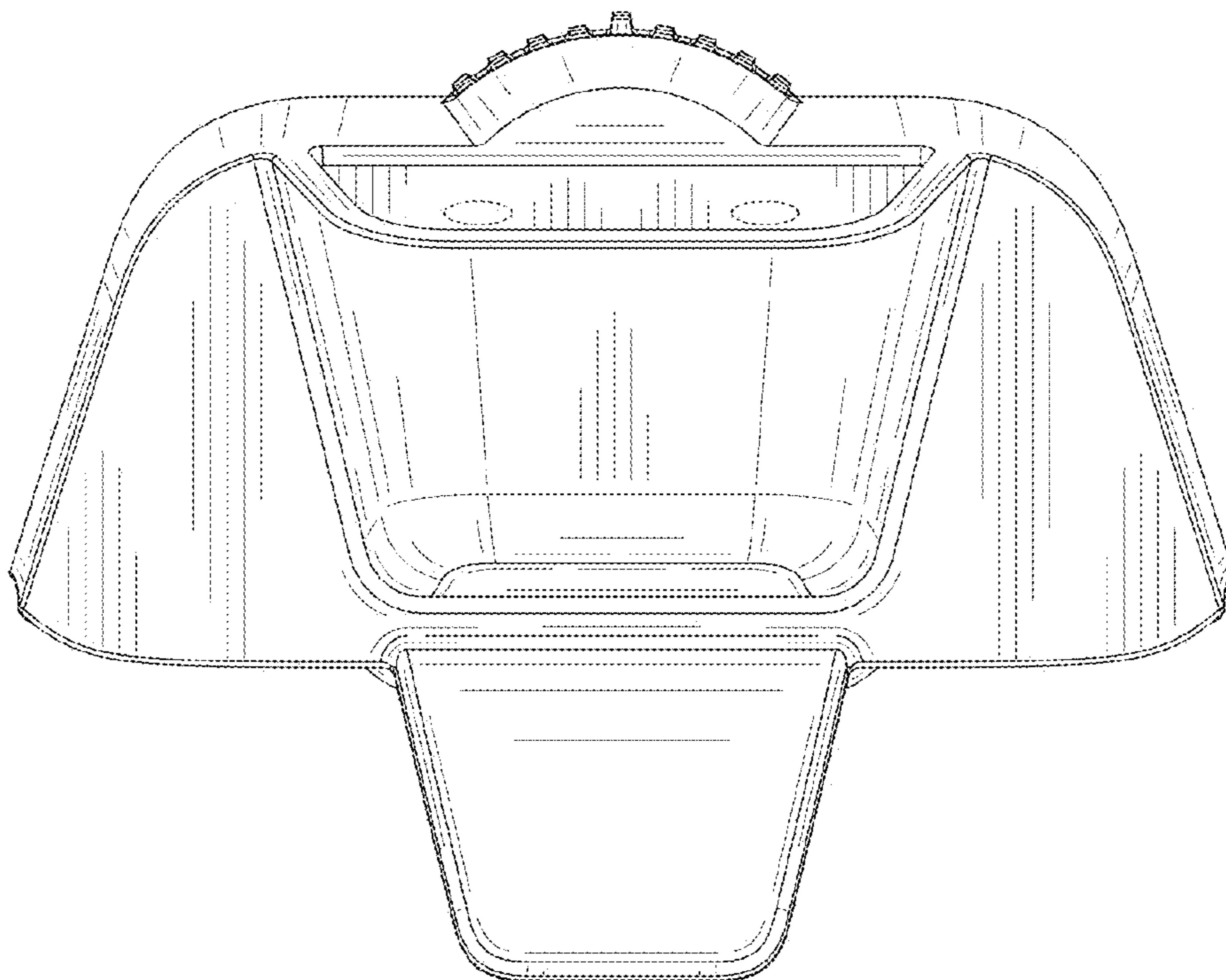


FIG. 8