



US00D754636S

(12) **United States Design Patent**
Judd

(10) **Patent No.:** **US D754,636 S**

(45) **Date of Patent:** **** *Apr. 26, 2016**

(54) **SPEAKER**

(71) Applicant: **General Judd**, Brooklyn, NY (US)

(72) Inventor: **General Judd**, Brooklyn, NY (US)

(*) Notice: This patent is subject to a terminal disclaimer.

(**) Term: **15 Years**

(21) Appl. No.: **29/538,891**

(22) Filed: **Sep. 9, 2015**

Related U.S. Application Data

(63) Continuation of application No. 29/499,375, filed on Aug. 14, 2014, now Pat. No. Des. 740,790.

(51) **LOC (10) Cl.** **14-03**

(52) **U.S. Cl.**

USPC **D14/216**; D14/215

(58) **Field of Classification Search**

USPC D14/167, 168, 170–172, 188, 194–196, D14/204, 207, 209.1, 210–216, 219, 221, D14/222, 224, 496; 181/143, 144, 147, 148, 181/150, 153, 157, 198, 199; 381/300–303, 381/306, 332, 333, 336, 345, 361–364, 381/386–388; 369/6–12; D21/765, 766, D21/769, 803

CPC B60R 11/0217; G06F 1/1688; H04M 1/03; H04M 1/035; H04R 1/02; H04R 1/06; H04R 1/021; H04R 1/025; H04R 1/026; H04R 1/028; H04R 1/105; H04R 1/323; H04R 1/403; H04R 1/2803; H04R 1/2834; H04R 5/02; H04R 7/20; H04R 9/06; H04R 9/025; H04R 2201/021; H04R 2400/00; H04R 2400/07; H04R 2499/11; H04R 2499/13; H04R 2499/15; H04S 3/00; H04S 7/30

See application file for complete search history.

(56) **References Cited**

U.S. PATENT DOCUMENTS

D150,401 S	8/1948	Brickson	
D246,065 S *	10/1977	Saul	D21/765
D319,242 S *	8/1991	Furuno	D14/204
D429,908 S	8/2000	King	
D567,222 S	4/2008	Kim et al.	
D608,851 S *	1/2010	Hillman	D21/765
D659,120 S *	5/2012	Kim	D14/211
D686,682 S	7/2013	Wilbur	
D711,995 S *	8/2014	Hudson	D21/769
D717,768 S *	11/2014	Park	D14/213
D724,166 S *	3/2015	Hamborg	D21/765

* cited by examiner

Primary Examiner — Keli L Hill

(74) *Attorney, Agent, or Firm* — Brad M. Behar & Associates, PLLC

(57) **CLAIM**

The ornamental design for a speaker, as shown and described.

DESCRIPTION

FIG. 1 is a front perspective view of a speaker showing my new design;

FIG. 2 is a front view thereof;

FIG. 3 is a left side view thereof;

FIG. 4 back side view thereof;

FIG. 5 is a right side view thereof;

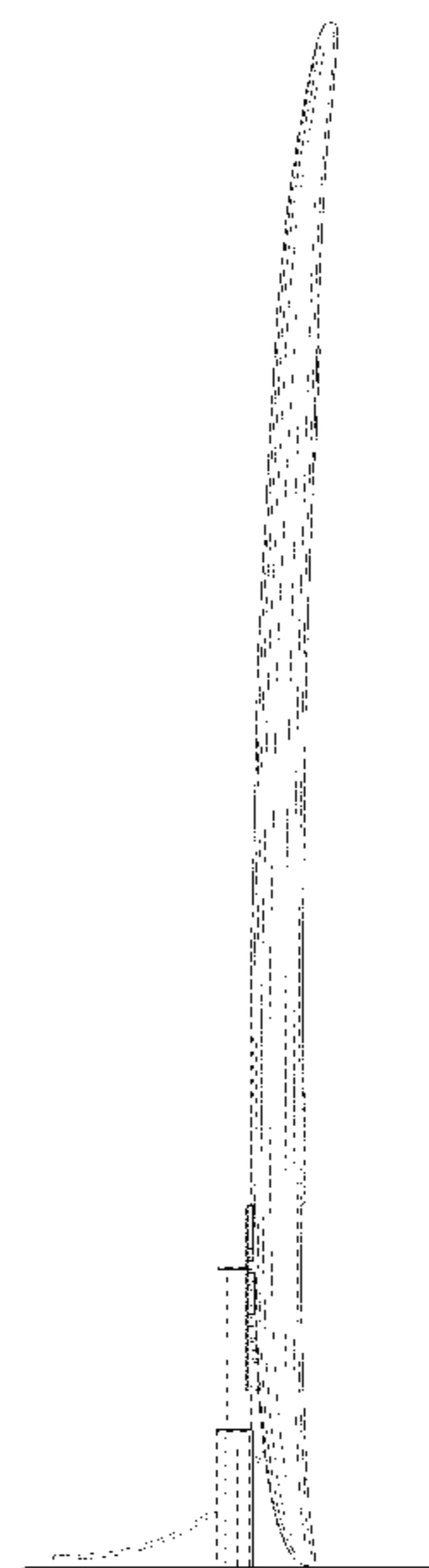
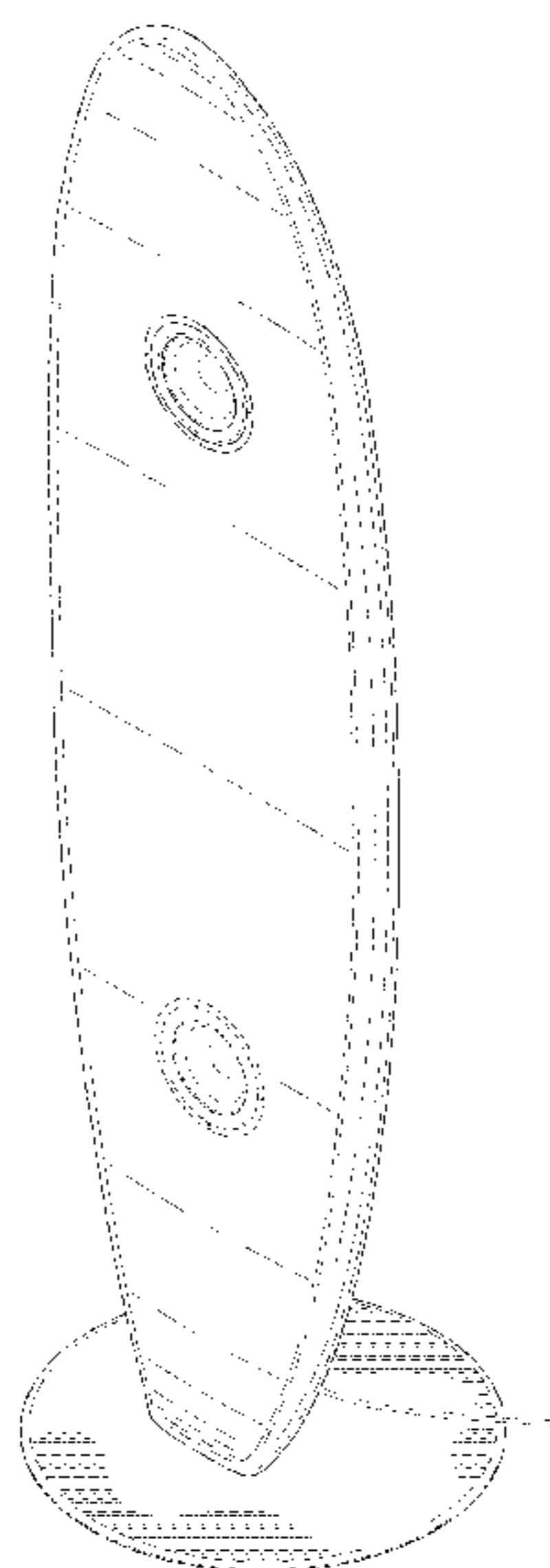
FIG. 6 is a top view thereof;

FIG. 7 is a bottom view thereof; and,

FIG. 8 is a rear perspective view thereof.

The broken lines in the drawings are for illustrative purposes only and form no part of the claimed design.

1 Claim, 7 Drawing Sheets



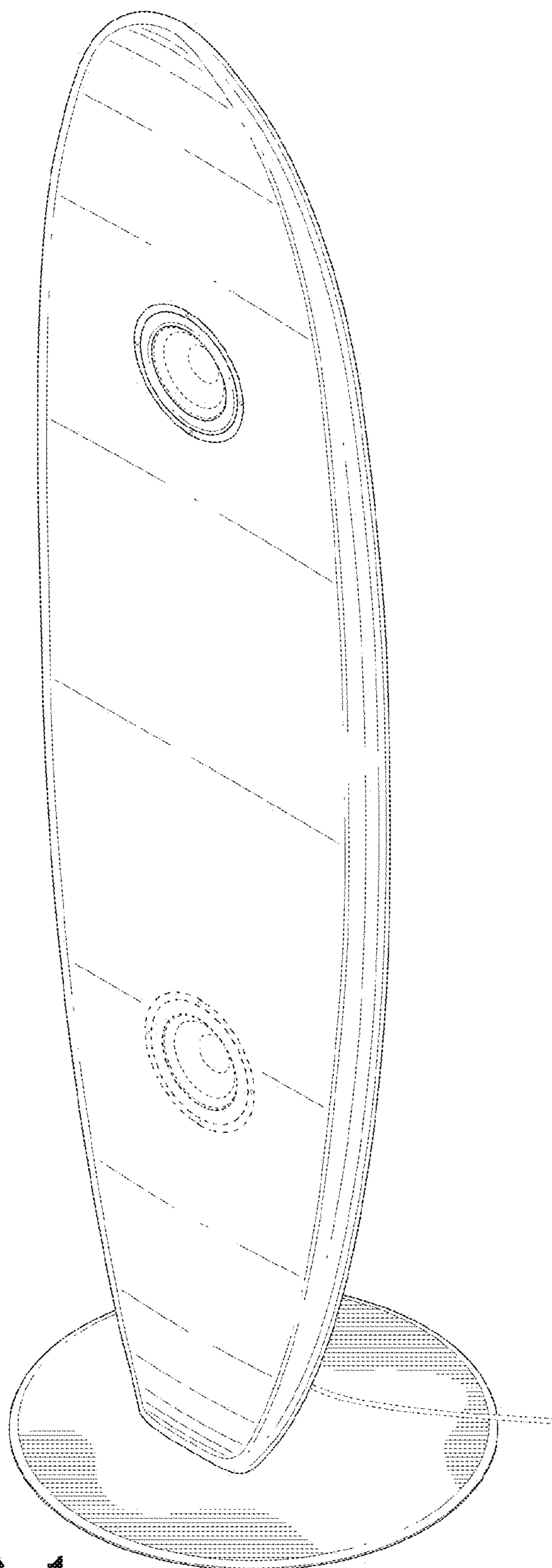


FIG. 1

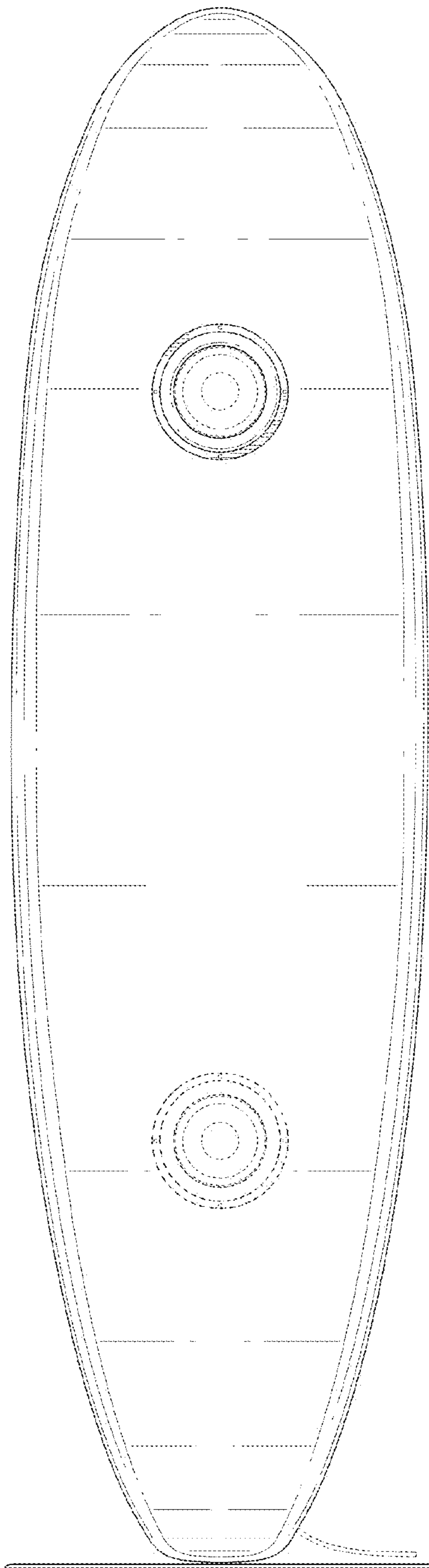
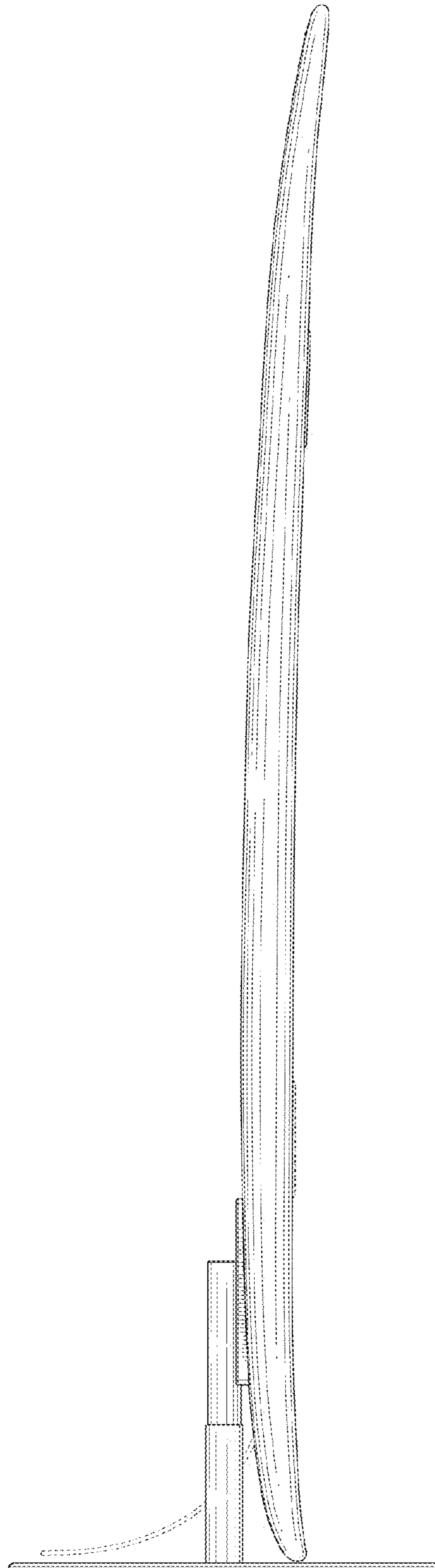


FIG. 2

FIG. 3



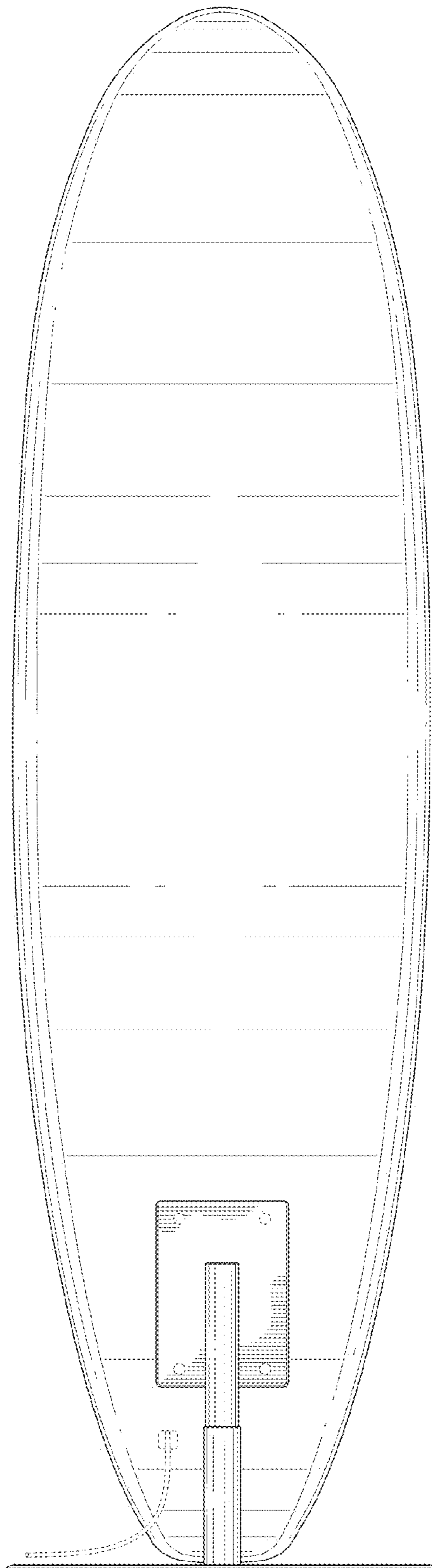


FIG. 4

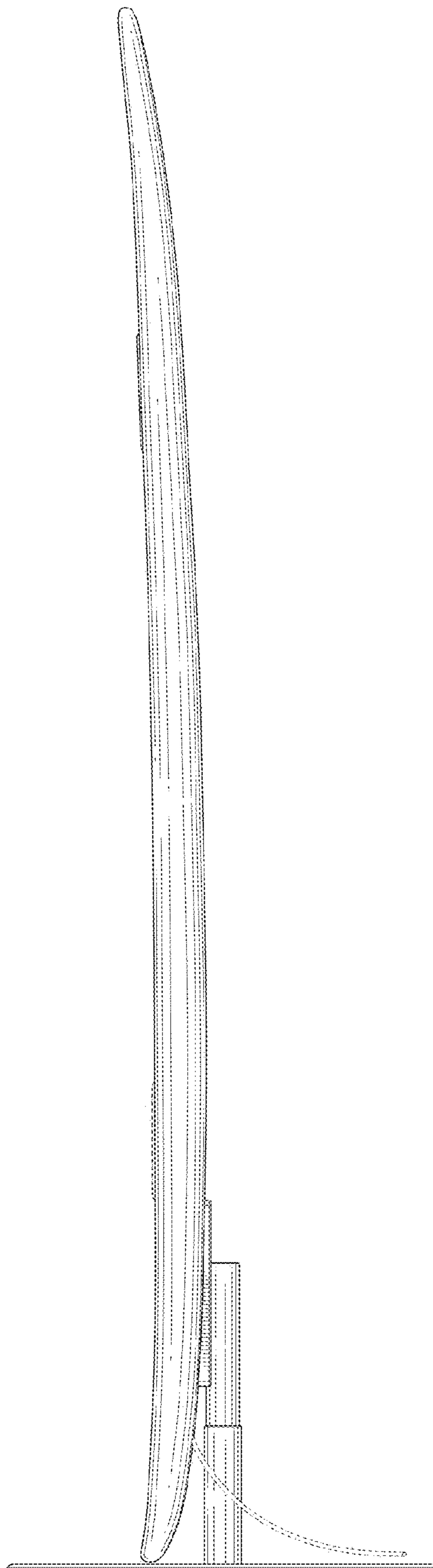


FIG. 5

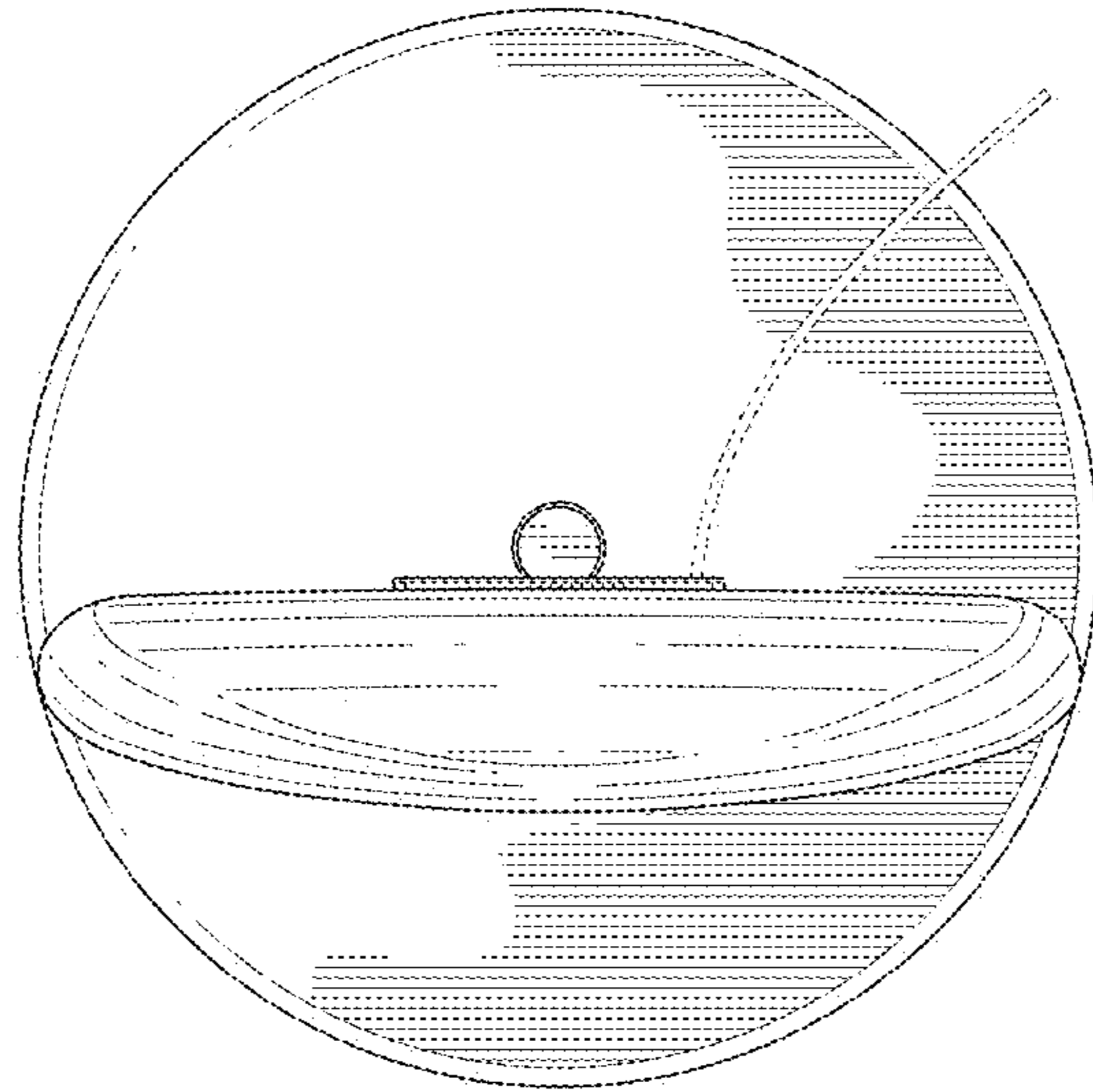


FIG. 6

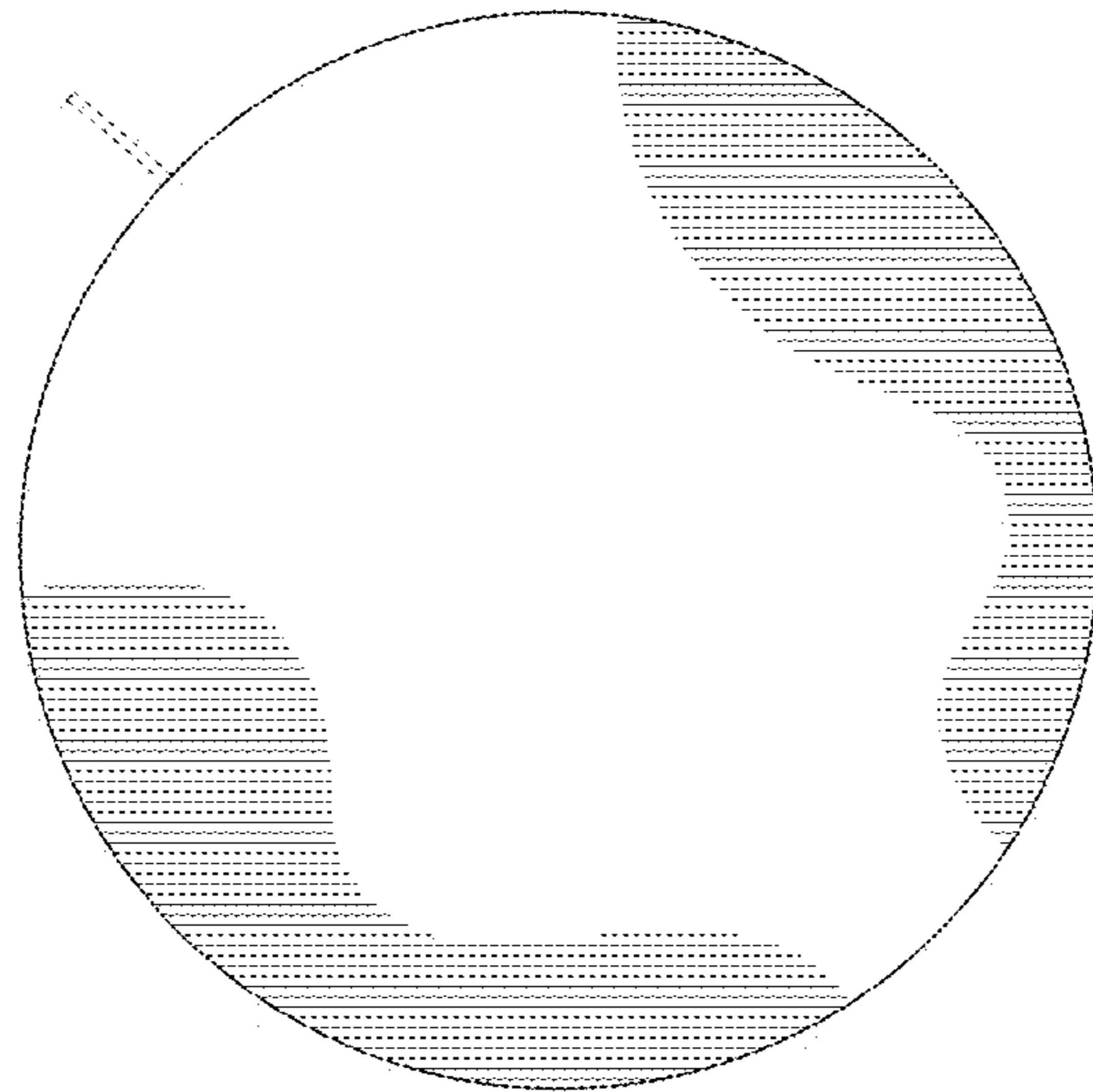


FIG. 7

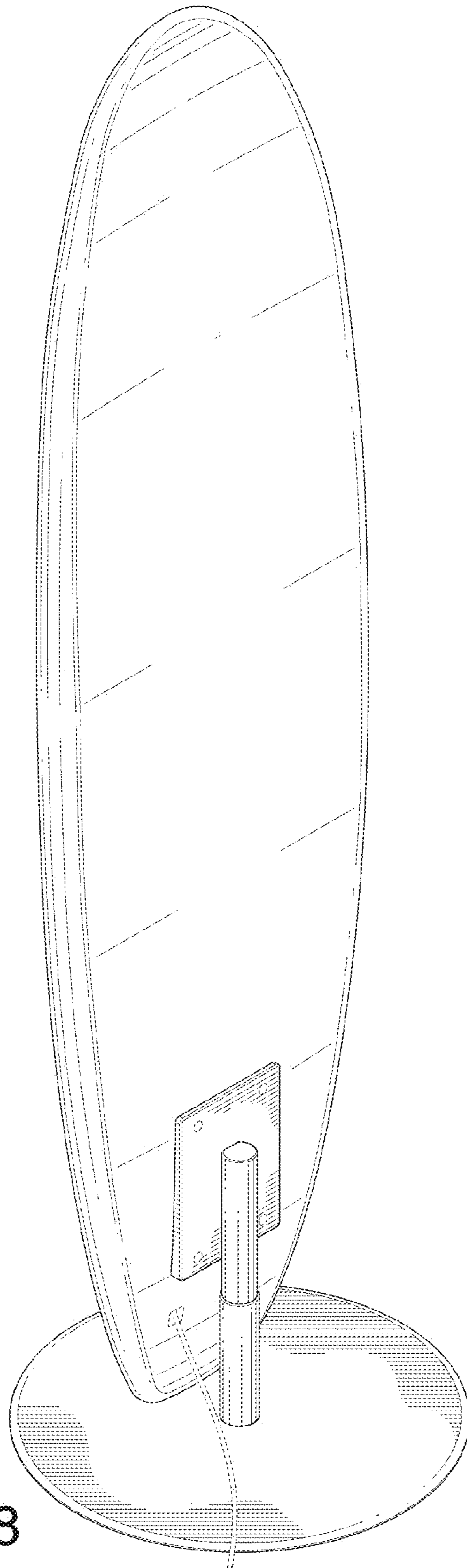


FIG. 8