



US00D754635S

(12) **United States Design Patent**
Ho

(10) **Patent No.:** **US D754,635 S**
(45) **Date of Patent:** **** Apr. 26, 2016**

(54) **SPEAKER IN THE SHAPE OF AN AUTO GLASS**

(71) Applicant: **HON HAI PRECISION INDUSTRY CO., LTD.**, New Taipei (TW)

(72) Inventor: **Chang-Da Ho**, New Taipei (TW)

(73) Assignee: **HON HAI PRECISION INDUSTRY CO., LTD.**, New Taipei (TW)

(**) Term: **14 Years**

(21) Appl. No.: **29/509,869**

(22) Filed: **Nov. 21, 2014**

(30) **Foreign Application Priority Data**

Oct. 15, 2014 (TW) 103306074

(51) **LOC (10) Cl.** **14-02**

(52) **U.S. Cl.**
USPC **D14/209.1**

(58) **Field of Classification Search**

USPC D14/204, 209.1, 211, 217, 221, 224,
D14/224.1, 225, 227, 228, 128; 181/143,
181/147, 148, 150, 153, 157, 198, 199, 166,
181/144; 381/300–303, 306, 332, 333, 336,
381/345, 361–364, 370, 386–388
CPC H04R 9/06; H04R 1/24; H04R 11/02;
H04R 2400/00

See application file for complete search history.

(56) **References Cited**

U.S. PATENT DOCUMENTS

3,143,182 A * 8/1964 Sears H04R 1/2811
181/153
3,194,339 A * 7/1965 Pawlowski H04R 1/403
181/146
5,478,132 A * 12/1995 Gold B60J 10/00
296/146.15
D514,090 S * 1/2006 Carbone D14/168
7,445,210 B2 * 11/2008 Emori G07F 17/32
273/121 B
D611,451 S * 3/2010 Wang D14/209.1
7,689,197 B2 * 3/2010 Laude G11B 17/0405
181/198
D621,813 S * 8/2010 Wang D14/209.1
D633,474 S * 3/2011 Ohashi D14/168
8,180,095 B2 * 5/2012 Zhang H04R 1/025
381/334
D726,148 S * 4/2015 Ahn D14/209.1

* cited by examiner

Primary Examiner — Prabhakar Deshmukh

(74) *Attorney, Agent, or Firm* — Novak Druce Connolly Bove + Quigg LLP

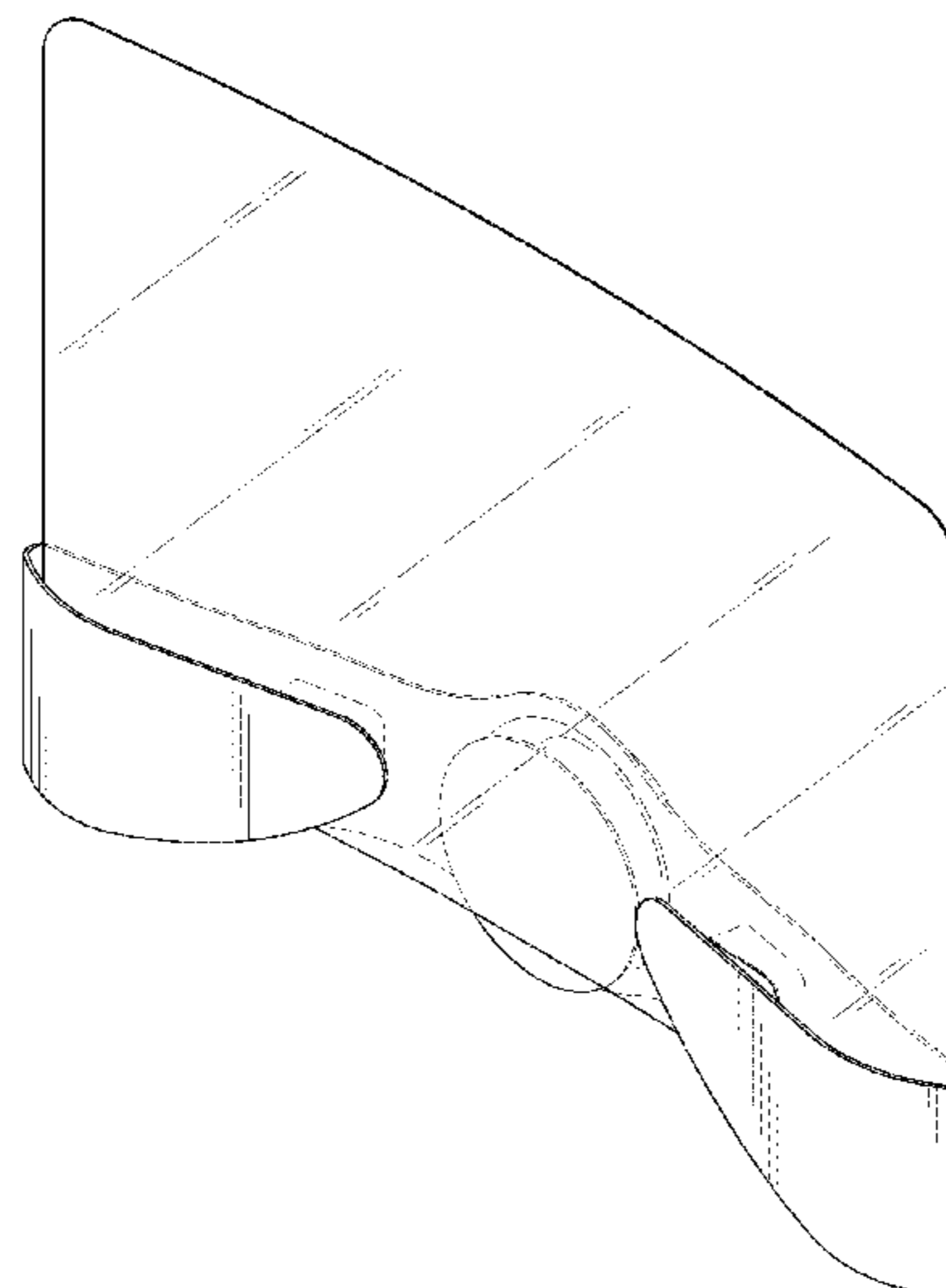
(57) **CLAIM**

The ornamental design for a speaker in the shape of an auto glass, as shown and described.

DESCRIPTION

FIG. 1 is a perspective view of a speaker in the shape of an audio glass showing my new design;
FIG. 2 is a front elevational view thereof;
FIG. 3 is a rear elevational view thereof;
FIG. 4 is a left side elevational view thereof;
FIG. 5 is a right side elevational view thereof;
FIG. 6 is a top plan view thereof;
FIG. 7 is bottom plan view thereof; and,
FIG. 8 is a front elevational view thereof, shown in environmental use.

1 Claim, 8 Drawing Sheets



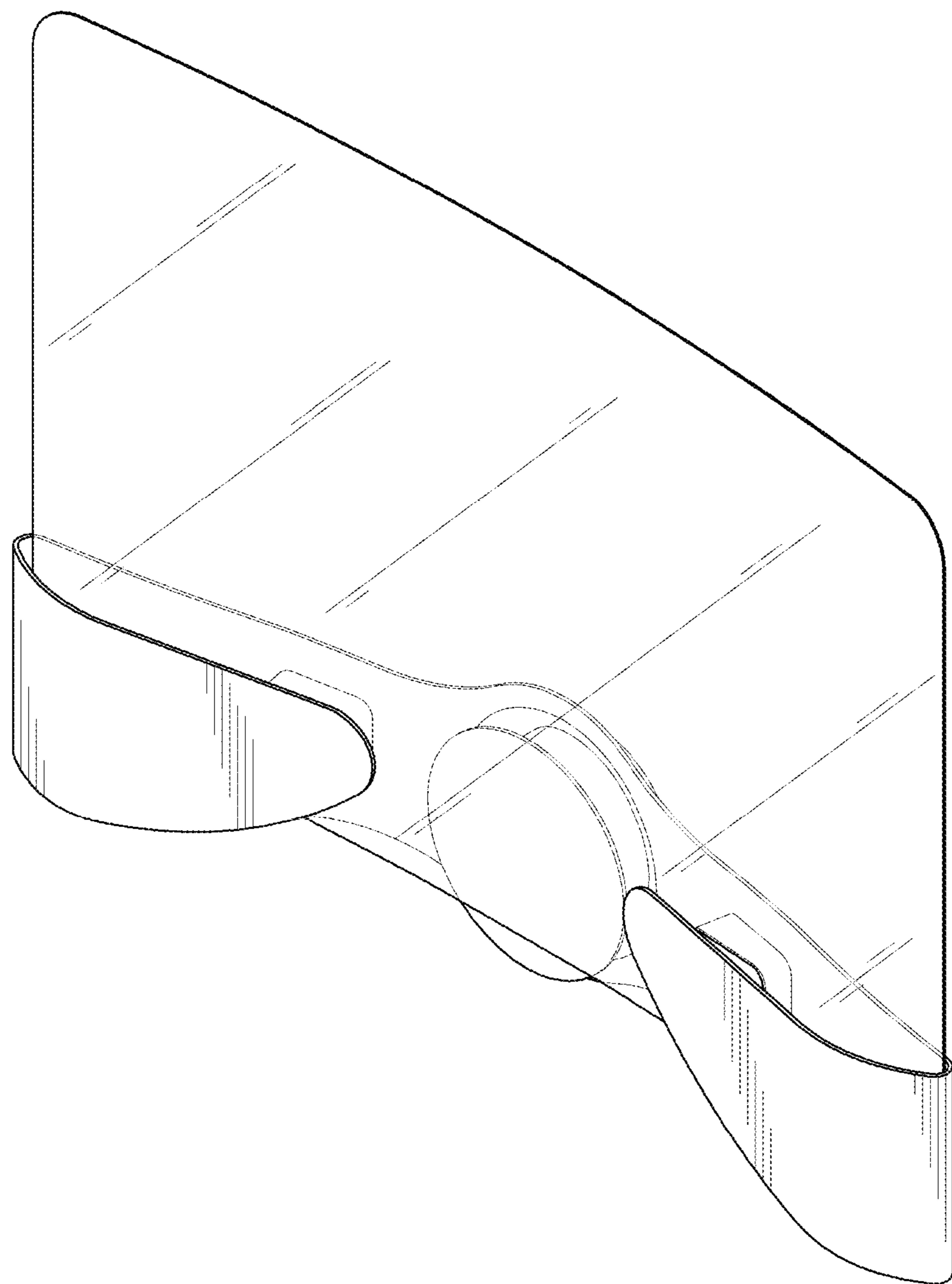


FIG. 1

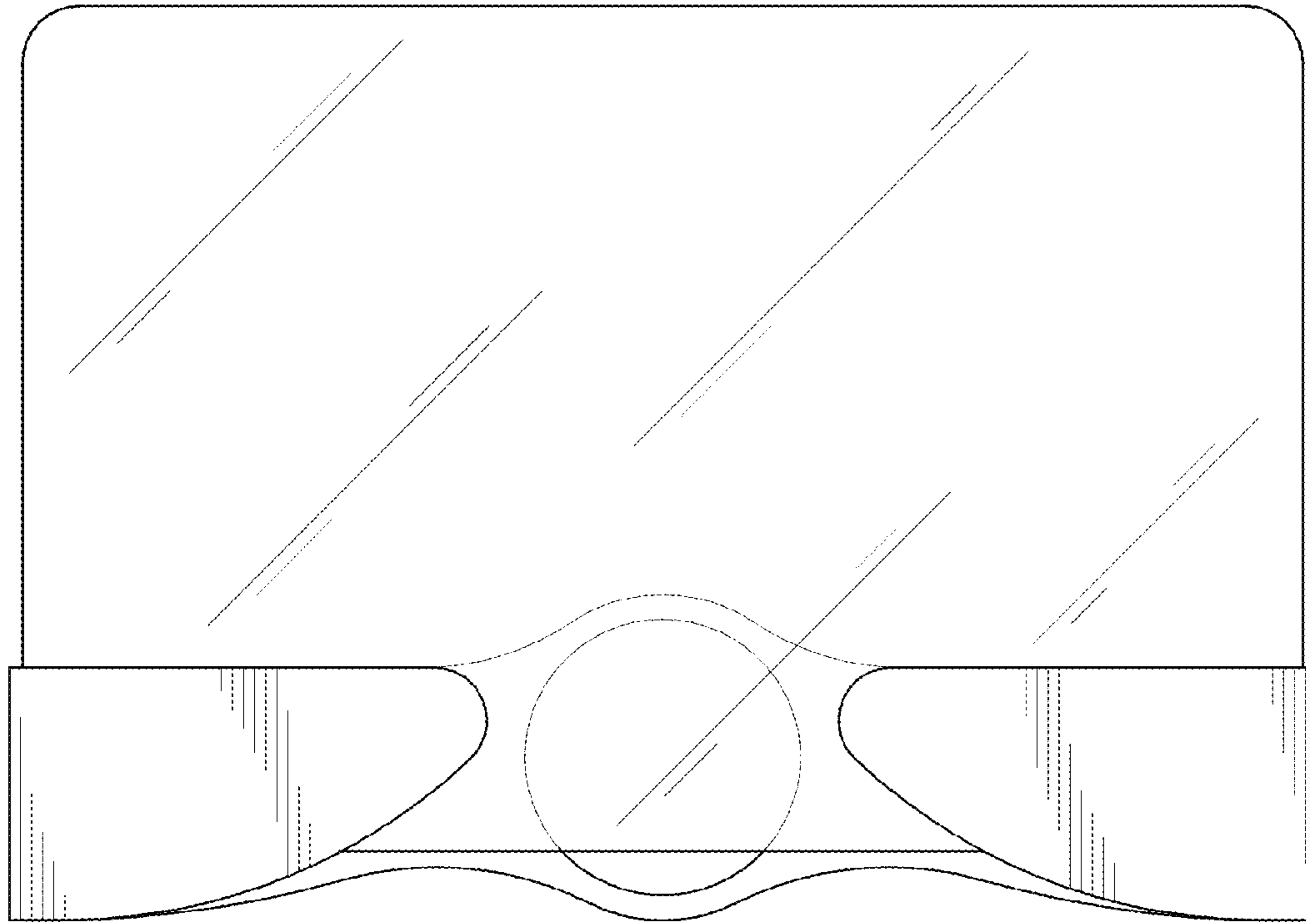


FIG. 2

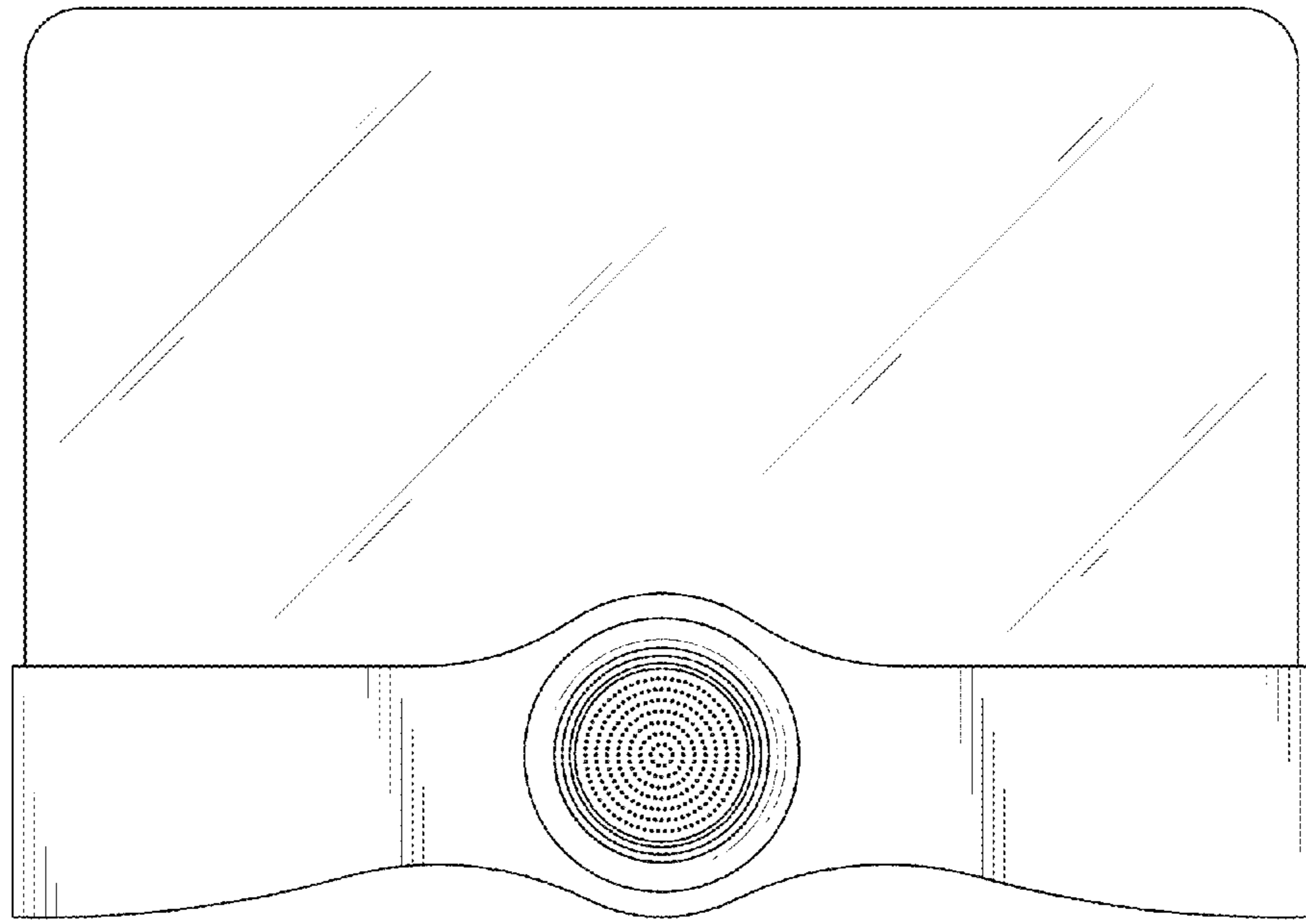


FIG. 3

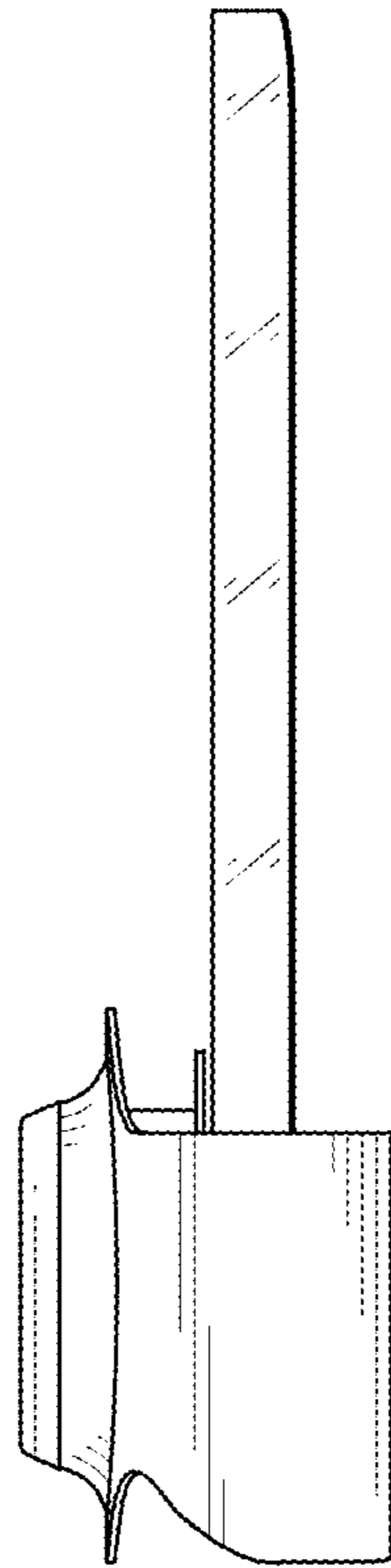


FIG. 4

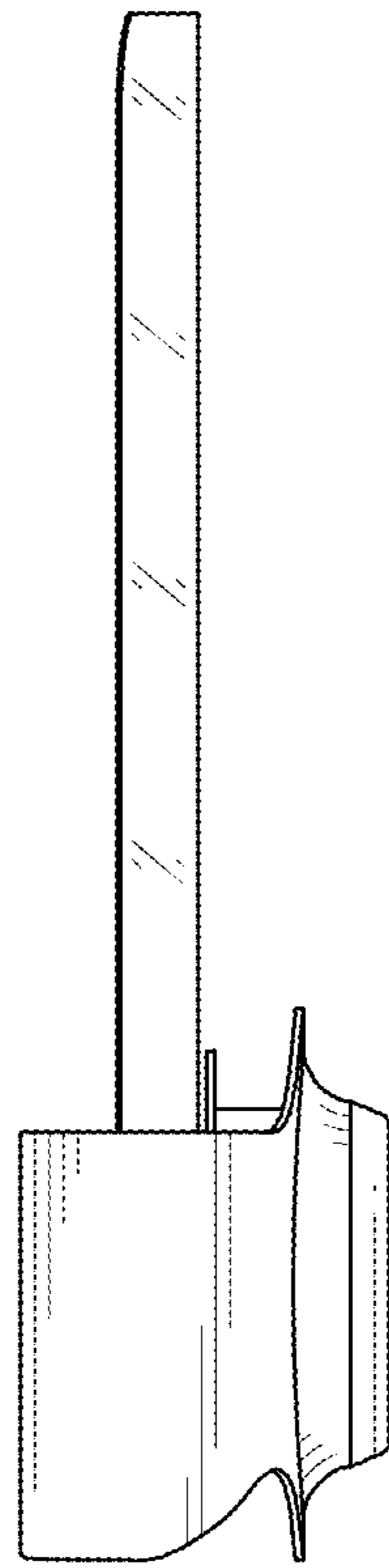


FIG. 5

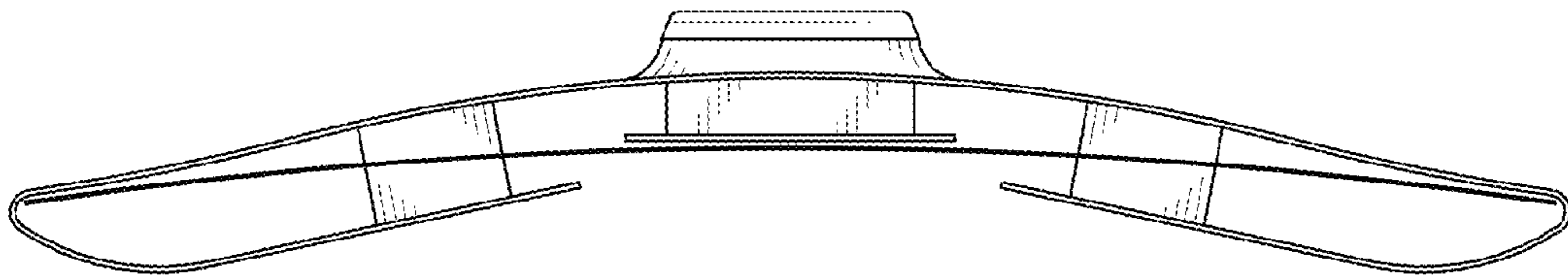


FIG. 6

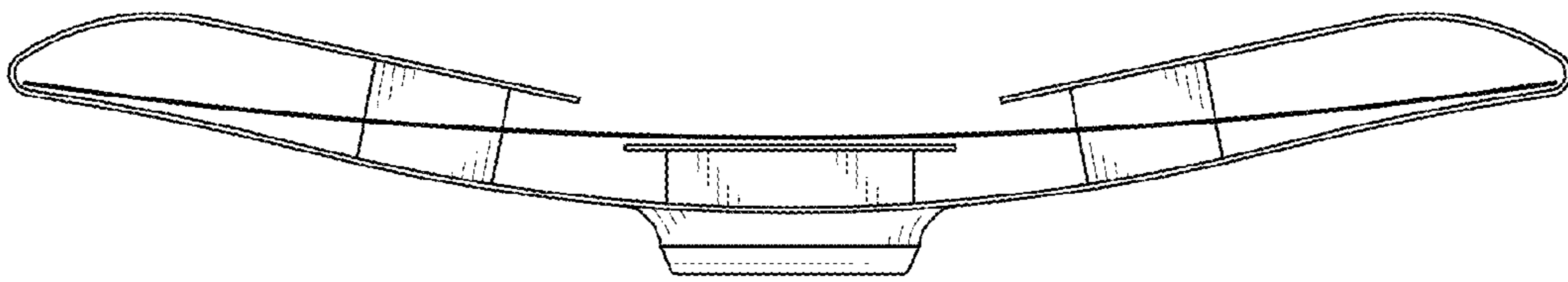


FIG. 7

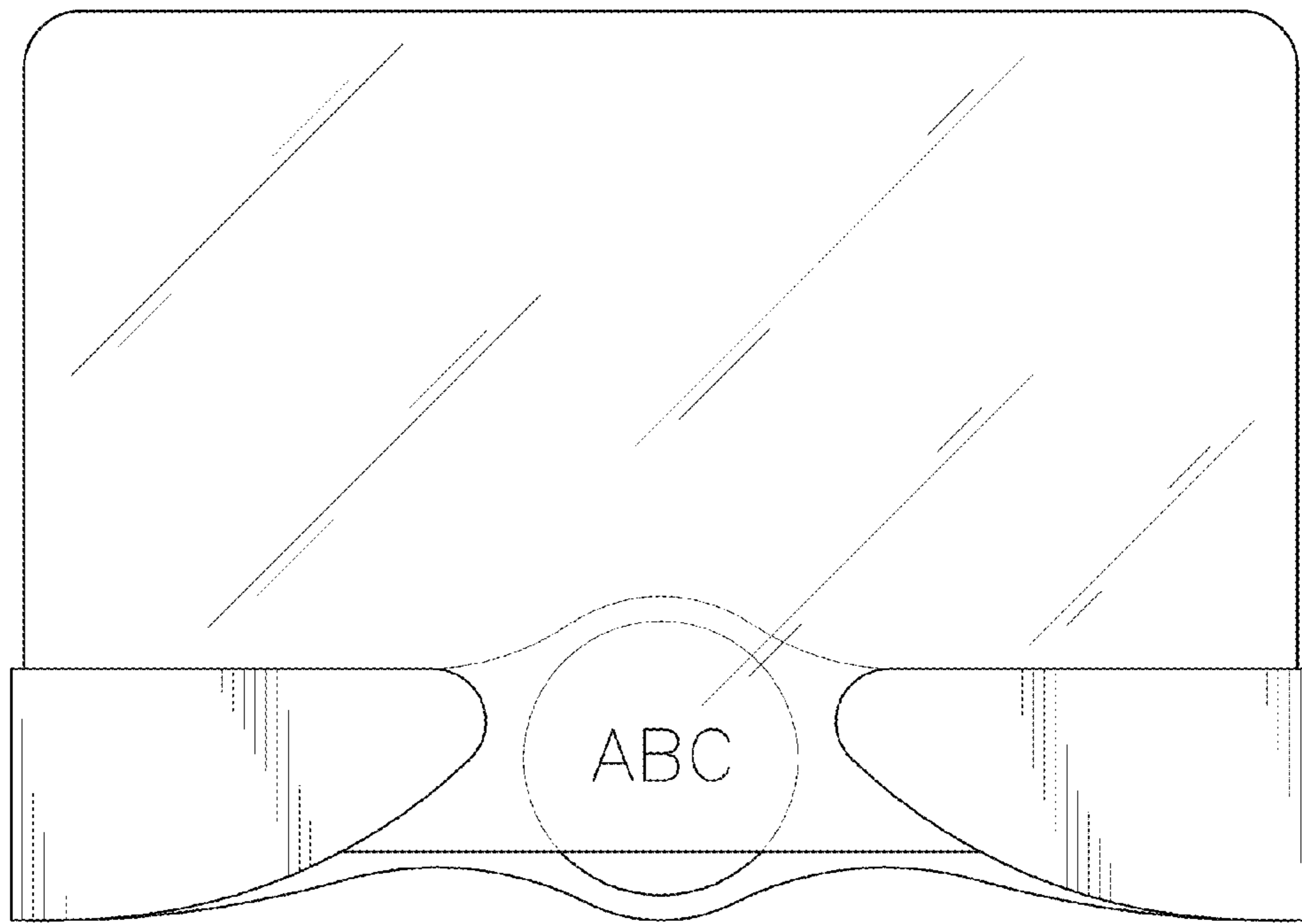


FIG. 8