

US00D754633S

(12) **United States Design Patent**
Himuro et al.

(10) **Patent No.:** **US D754,633 S**
(45) **Date of Patent:** **** Apr. 26, 2016**

- (54) **EARPIECE FOR EARPHONE**
- (71) Applicant: **JVC KENWOOD Corporation**,
Yokohama-shi (JP)
- (72) Inventors: **Toshiyuki Himuro**, Yokohama (JP);
Masaki Takei, Yokohama (JP)
- (73) Assignee: **JVC KENWOOD Corporation**,
Yokohama-shi (JP)
- (**) Term: **14 Years**
- (21) Appl. No.: **29/516,741**
- (22) Filed: **Feb. 5, 2015**
- (51) **LOC (10) Cl.** **14-01**
- (52) **U.S. Cl.**
USPC **D14/205**
- (58) **Field of Classification Search**
USPC D14/205; D24/175; D28/56; 181/129,
181/130, 135; 379/430, 431; 381/380, 381,
381/74, 322, 325-328, 370, 382; D8/397,
D8/386, 399; 132/73
CPC H04R 1/10
See application file for complete search history.

(56) **References Cited**

U.S. PATENT DOCUMENTS

- 1,289,952 A * 12/1918 Struble A45D 31/00
132/73
- 1,619,114 A * 3/1927 Graham H04R 7/22
181/166
- 2,073,867 A * 3/1937 Feigenbaum A45D 31/00
132/73
- 2,175,994 A * 10/1939 Quam H04R 9/02
29/607
- D140,317 S * 2/1945 Allen D8/397
- 3,037,514 A * 6/1962 Lappe A45D 31/00
132/73
- 3,054,760 A * 9/1962 Worsley C08J 9/0057
521/106
- 3,217,831 A * 11/1965 Scanlon G10K 11/22
181/135
- 3,221,790 A * 12/1965 Poupitch F16B 39/34
411/301

- 3,243,206 A * 3/1966 Samer F16L 50/027
16/2.1
- 3,275,099 A * 9/1966 Speelman A61B 7/026
181/131
- 3,303,902 A * 2/1967 Knott A61B 7/02
181/135
- 4,220,808 A * 9/1980 Fujita H02B 1/048
174/490
- D295,451 S * 4/1988 Mast D28/56
- 5,131,128 A * 7/1992 Bisgaard H04R 25/654
29/239
- 5,449,865 A * 9/1995 Desnick A61B 7/02
181/131
- 5,957,136 A * 9/1999 Magidson A61F 11/08
128/864
- 6,772,854 B2 * 8/2004 Wubker H04R 1/1016
181/130
- 6,860,362 B2 * 3/2005 Saltykov A61B 5/411
181/129

(Continued)

Primary Examiner — Paula Greene

(74) *Attorney, Agent, or Firm* — Venable LLP; Michael A. Sartori; Tamatane J. Aga

(57) **CLAIM**

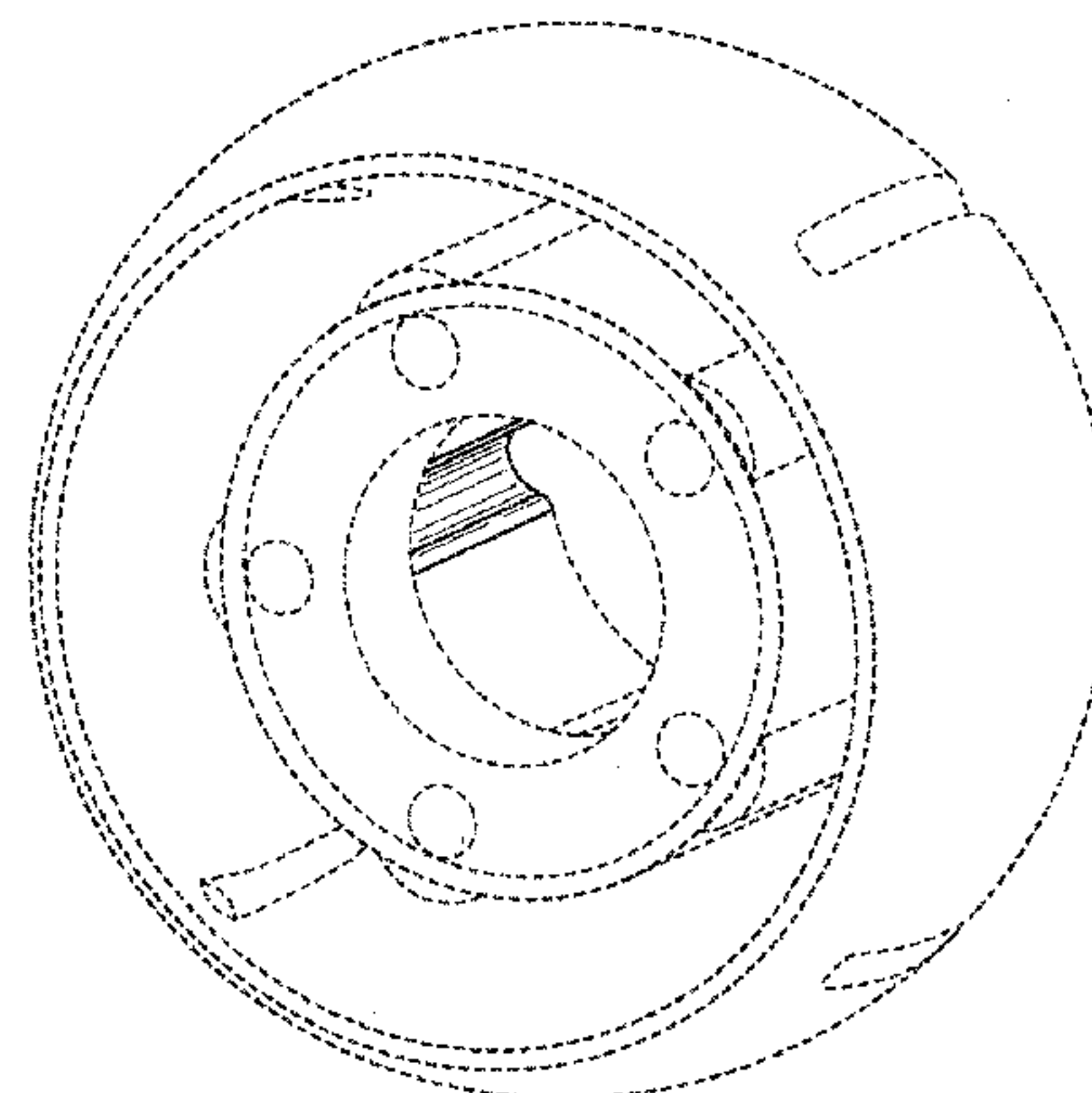
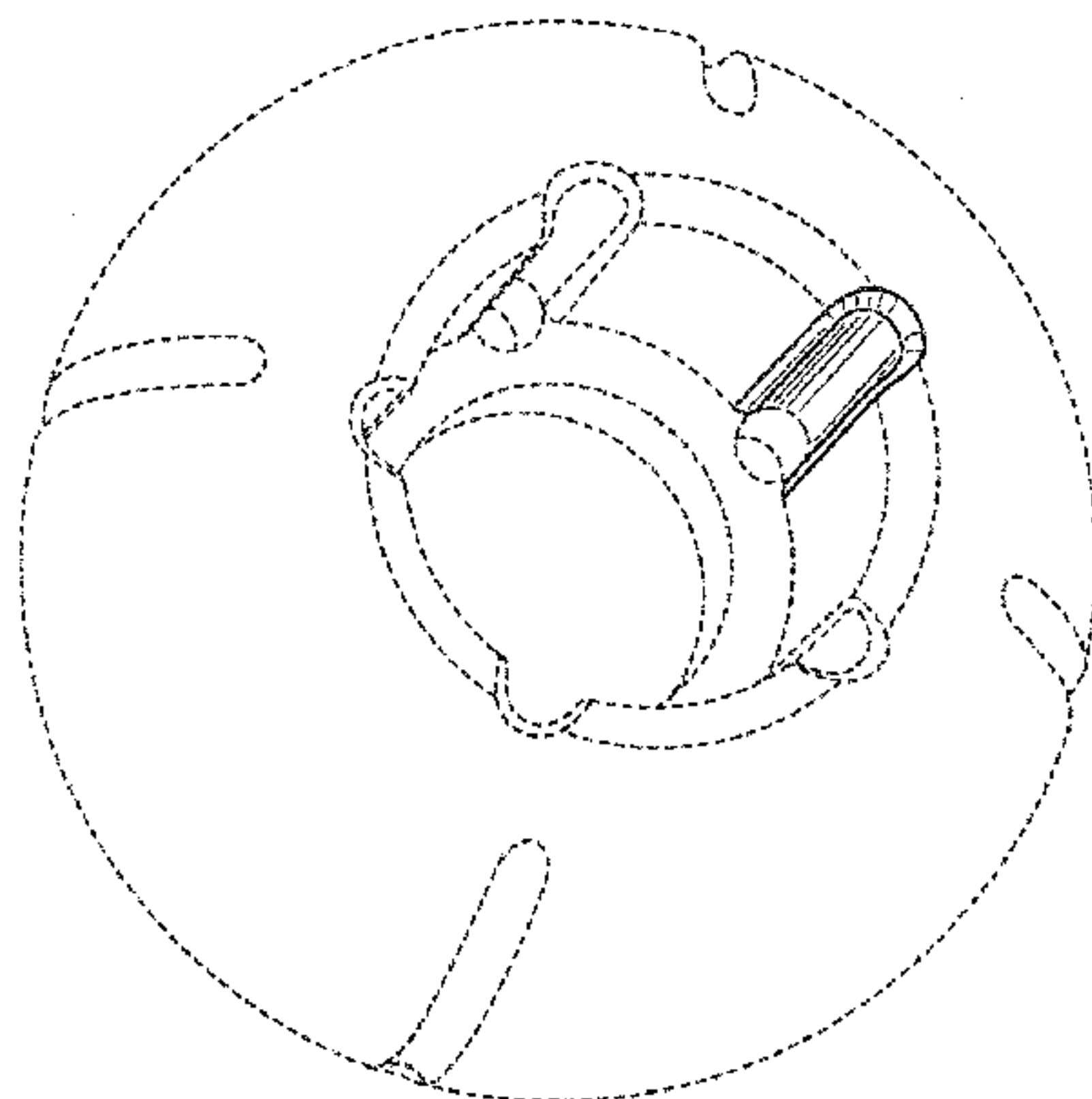
The ornamental design for an earpiece for earphone, as shown and described.

DESCRIPTION

FIG. 1 is a top perspective view of an earpiece for earphone showing our new design;
 FIG. 2 is a bottom perspective view thereof;
 FIG. 3 is another bottom perspective view thereof;
 FIG. 4 is another top perspective view thereof;
 FIG. 5 is a front view thereof;
 FIG. 6 is a rear view thereof;
 FIG. 7 is a top plan view thereof;
 FIG. 8 is a bottom plan view thereof;
 FIG. 9 is a right side view thereof; and,
 FIG. 10 is a left side view thereof.

The portions of the drawings shown in broken lines are for illustrative purposes only and form no part of the claimed design. The dot-dash line shows an unclaimed boundary which forms no part of the claimed design.

1 Claim, 5 Drawing Sheets



(56)

References Cited

U.S. PATENT DOCUMENTS

D619,566 S *	7/2010	Yu	D14/223	8,477,505 B2 *	7/2013	Samuels	G06F 1/1632 16/221
7,869,614 B2 *	1/2011	Gabathuler	H04R 25/556 381/322	8,594,359 B2 *	11/2013	Takei	H04R 1/1016 381/370
8,165,332 B2 *	4/2012	Giese	H04R 25/456 381/328	8,761,424 B2 *	6/2014	Wubker	H04R 1/1016 381/325
8,233,652 B2 *	7/2012	Jorgensen	H04R 1/1058 381/322	8,848,964 B2 *	9/2014	Erdel	H04R 1/1091 381/338
8,270,648 B2 *	9/2012	Murozaki	H04R 1/1091 381/312	8,885,866 B2 *	11/2014	Sakaguchi	H04R 1/1058 381/380
8,413,331 B2 *	4/2013	Tiemens	B29C 44/1214 128/864	8,897,026 B2 *	11/2014	Duan	H05K 7/142 361/728
8,422,719 B2 *	4/2013	Dedieu	H04R 1/2819 381/322	2013/0343595 A1 *	12/2013	Zorkendorfer	H04R 1/10 381/380

* cited by examiner

FIG. 1

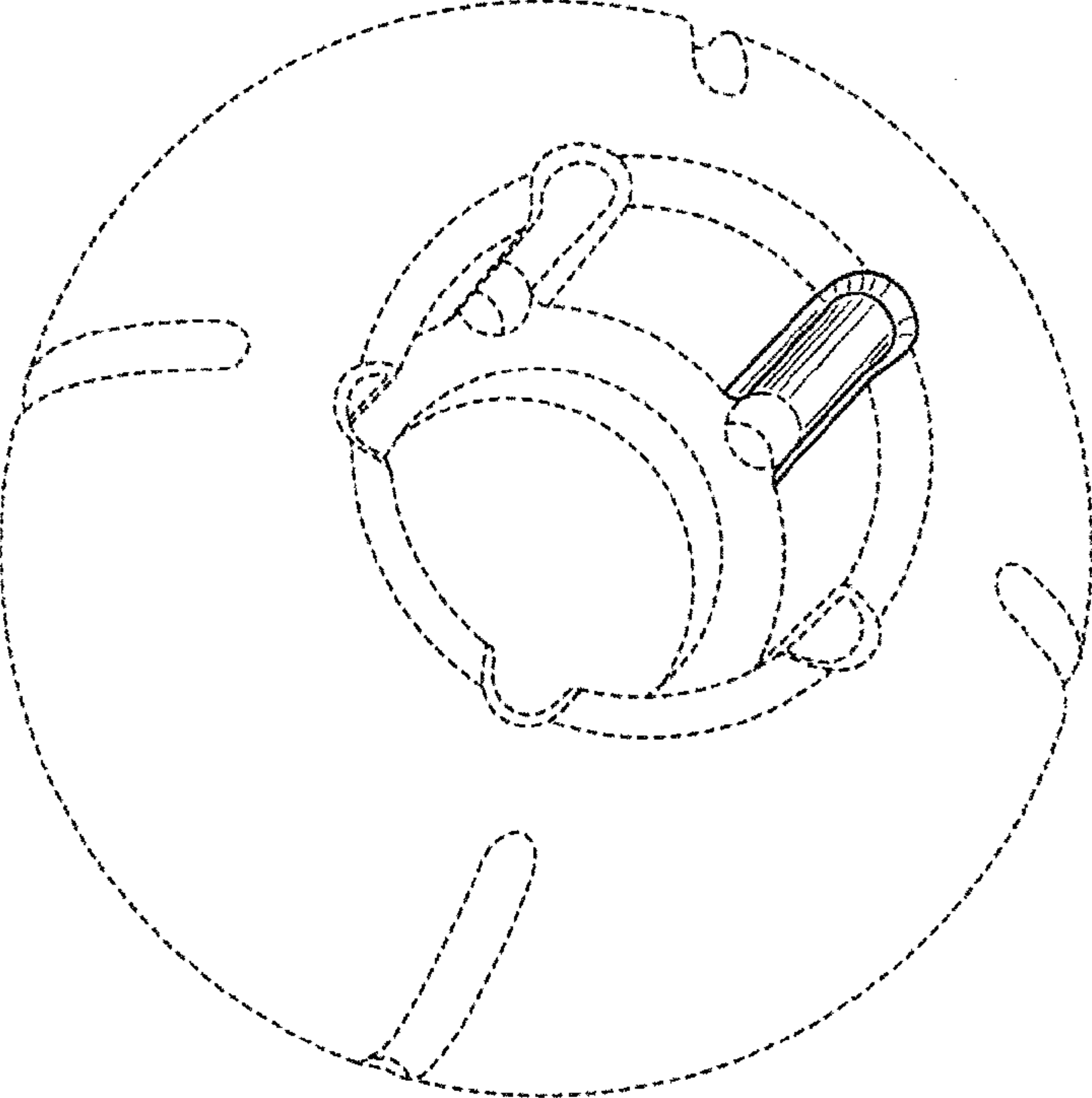


FIG. 2

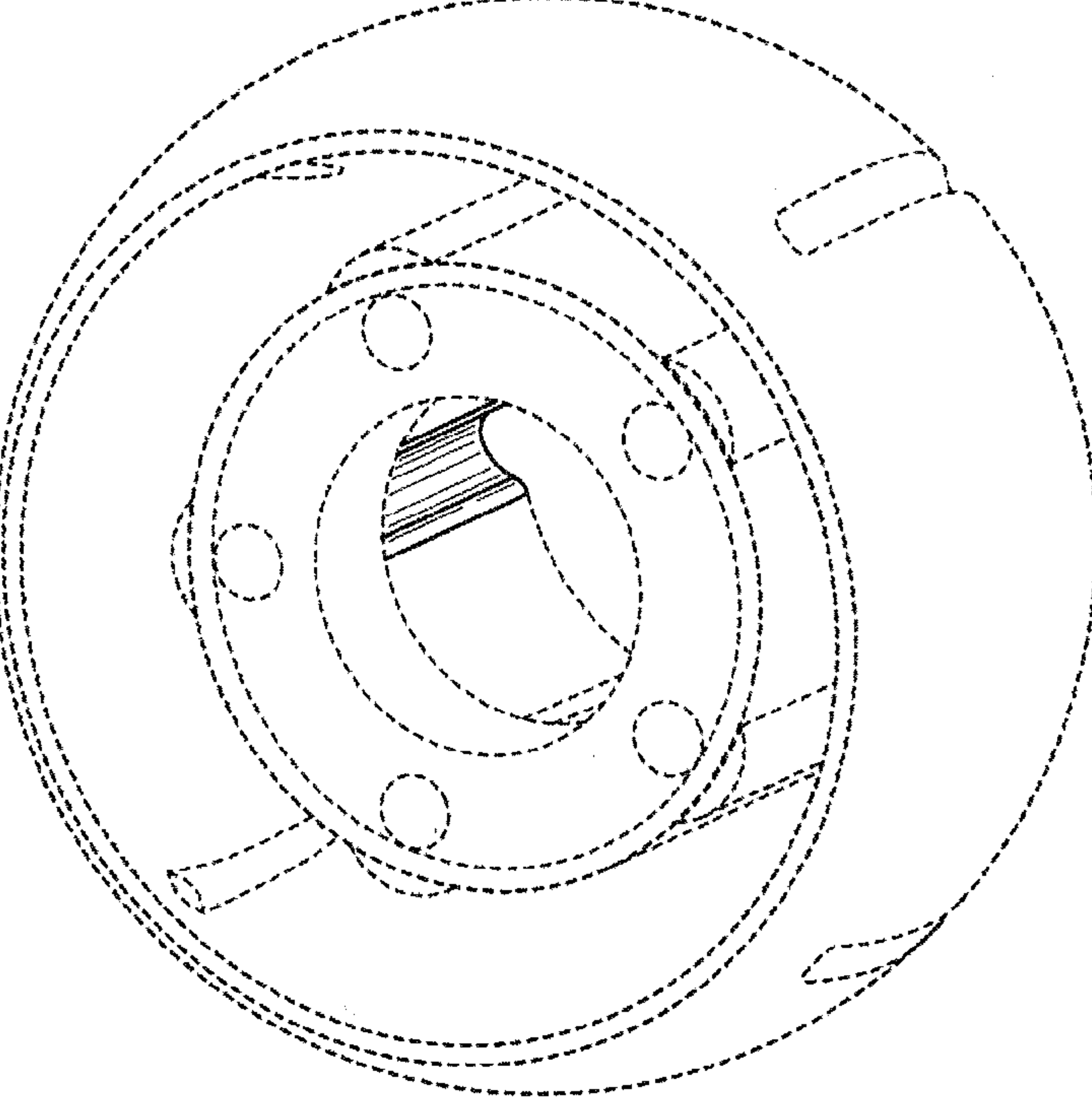


FIG. 3

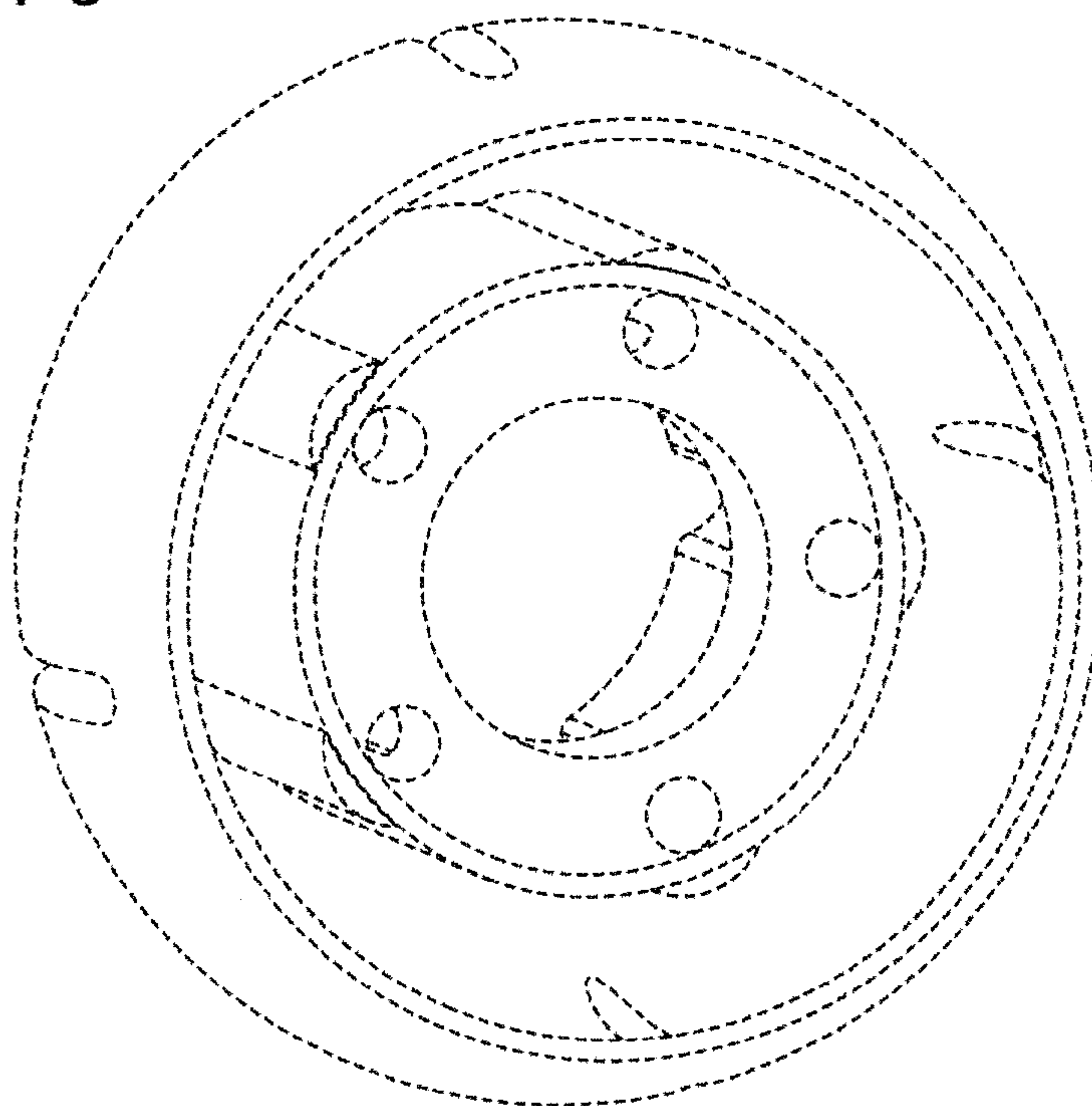


FIG. 4

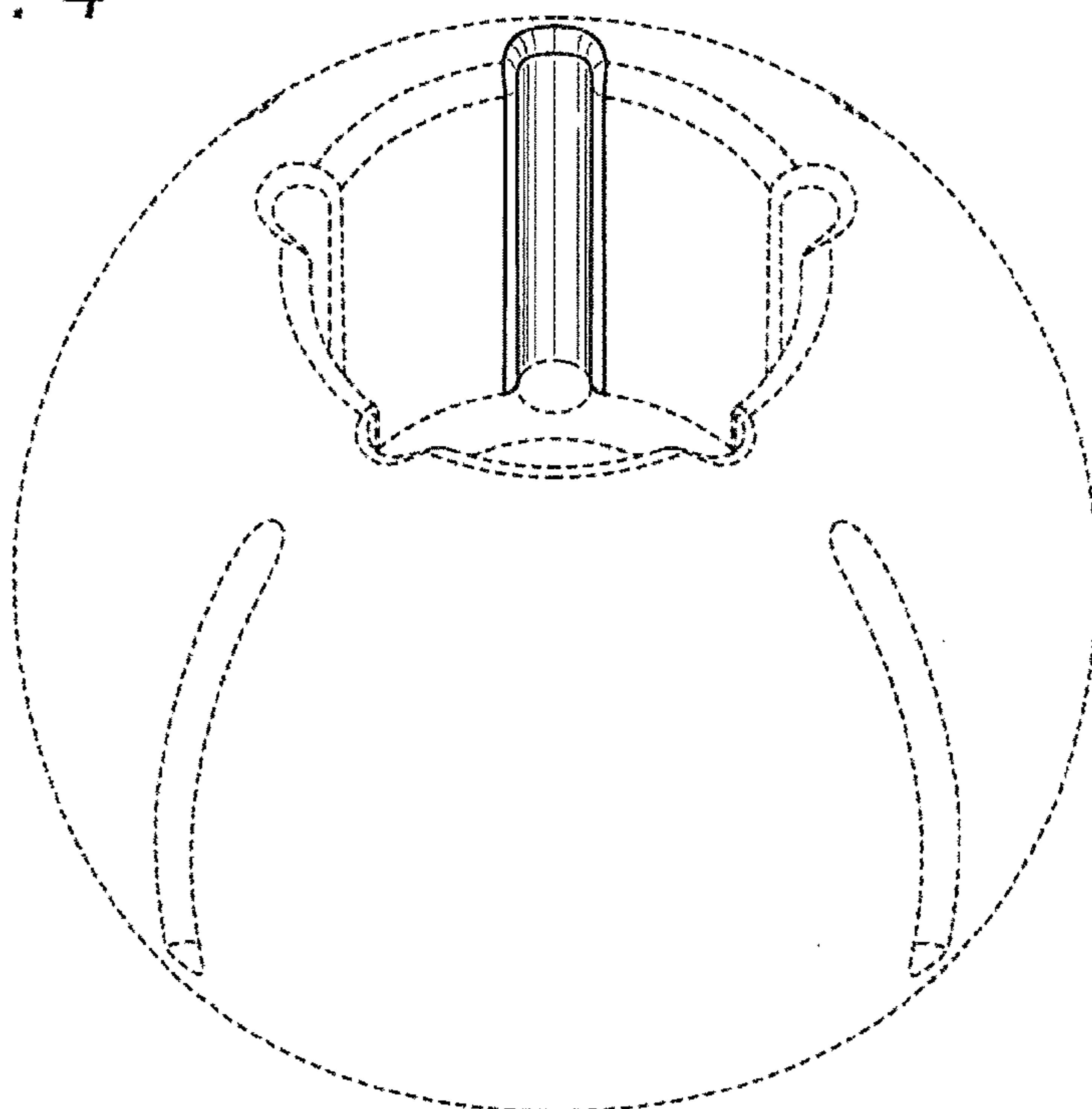


FIG. 5

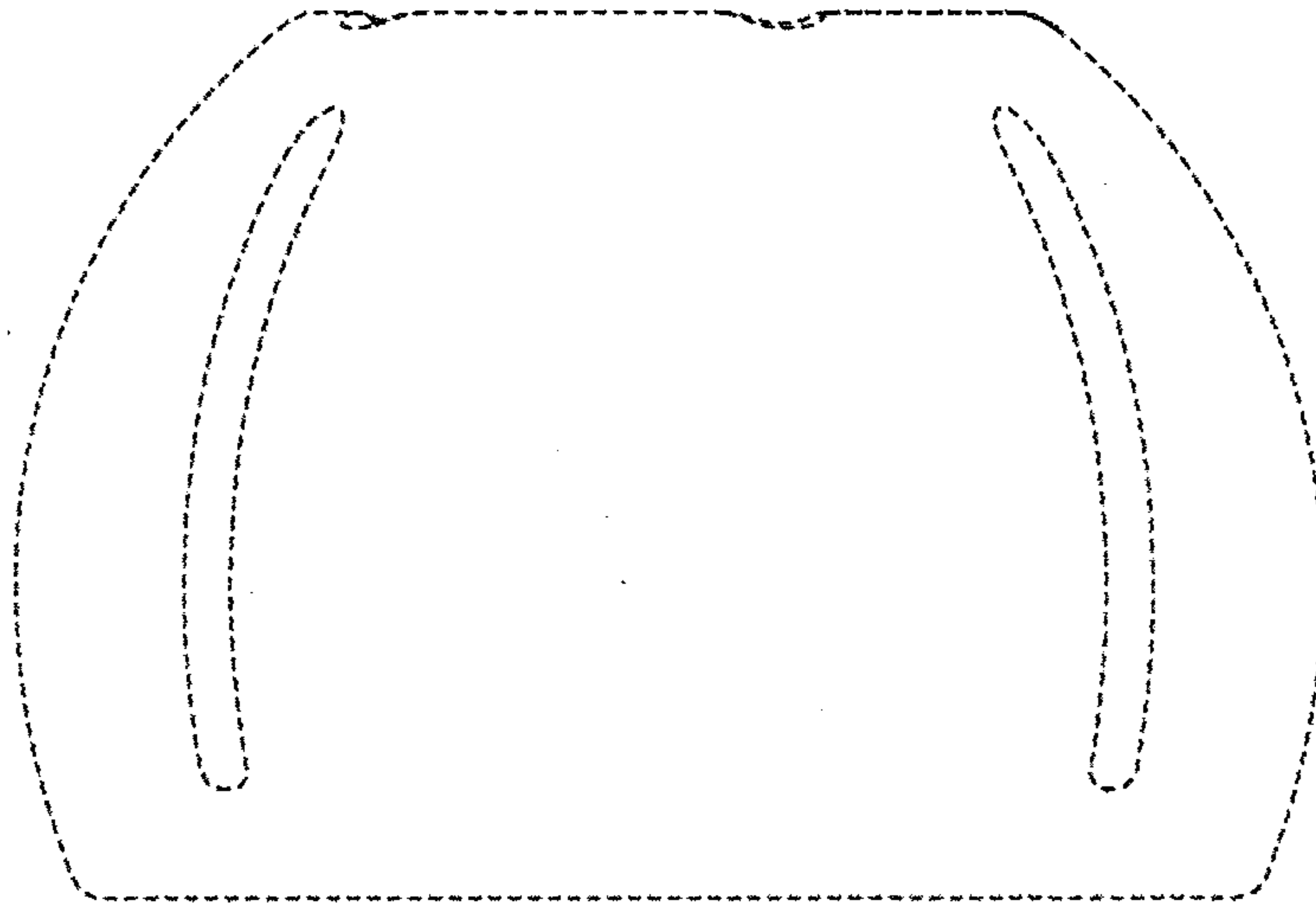


FIG. 6

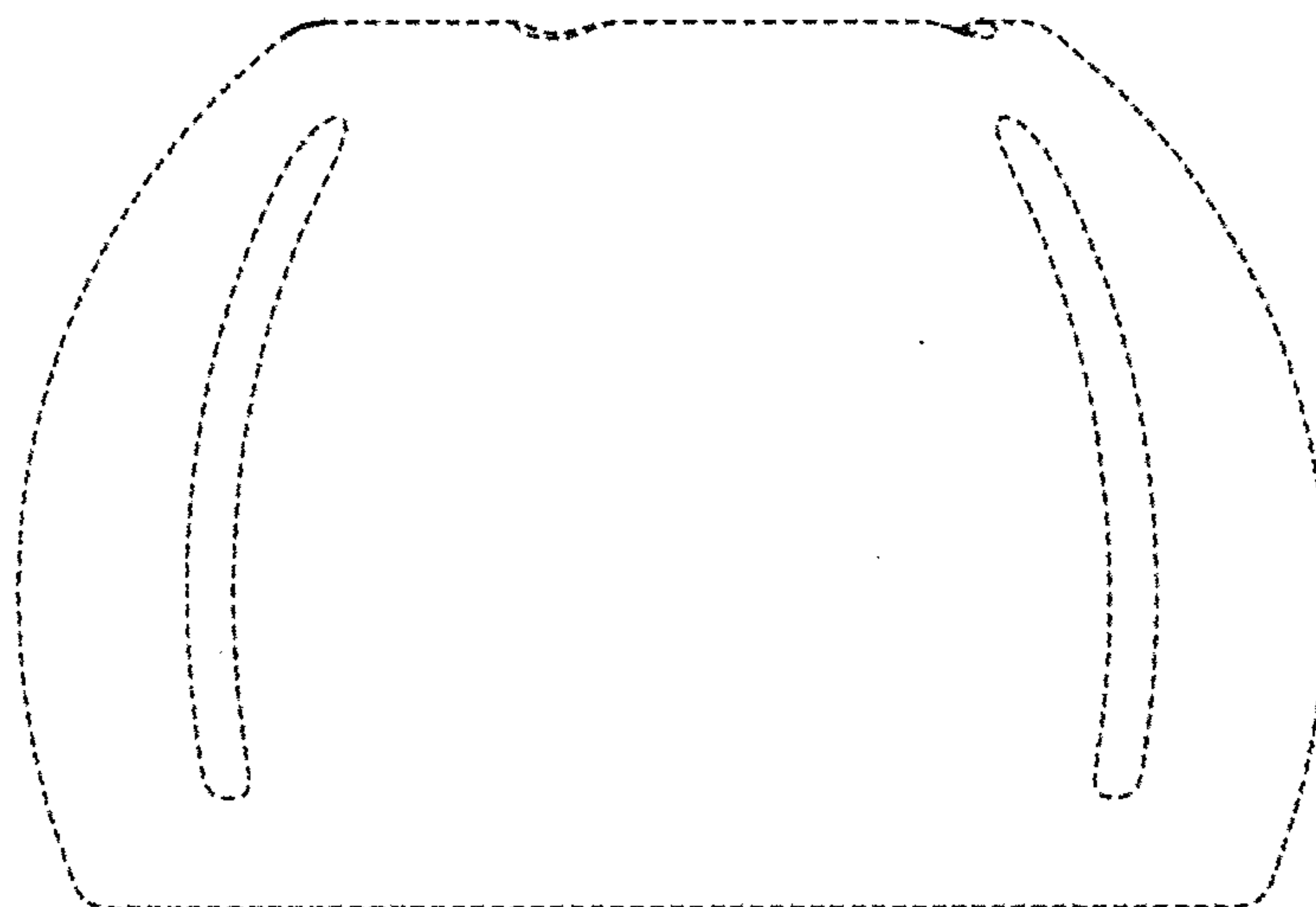


FIG. 7

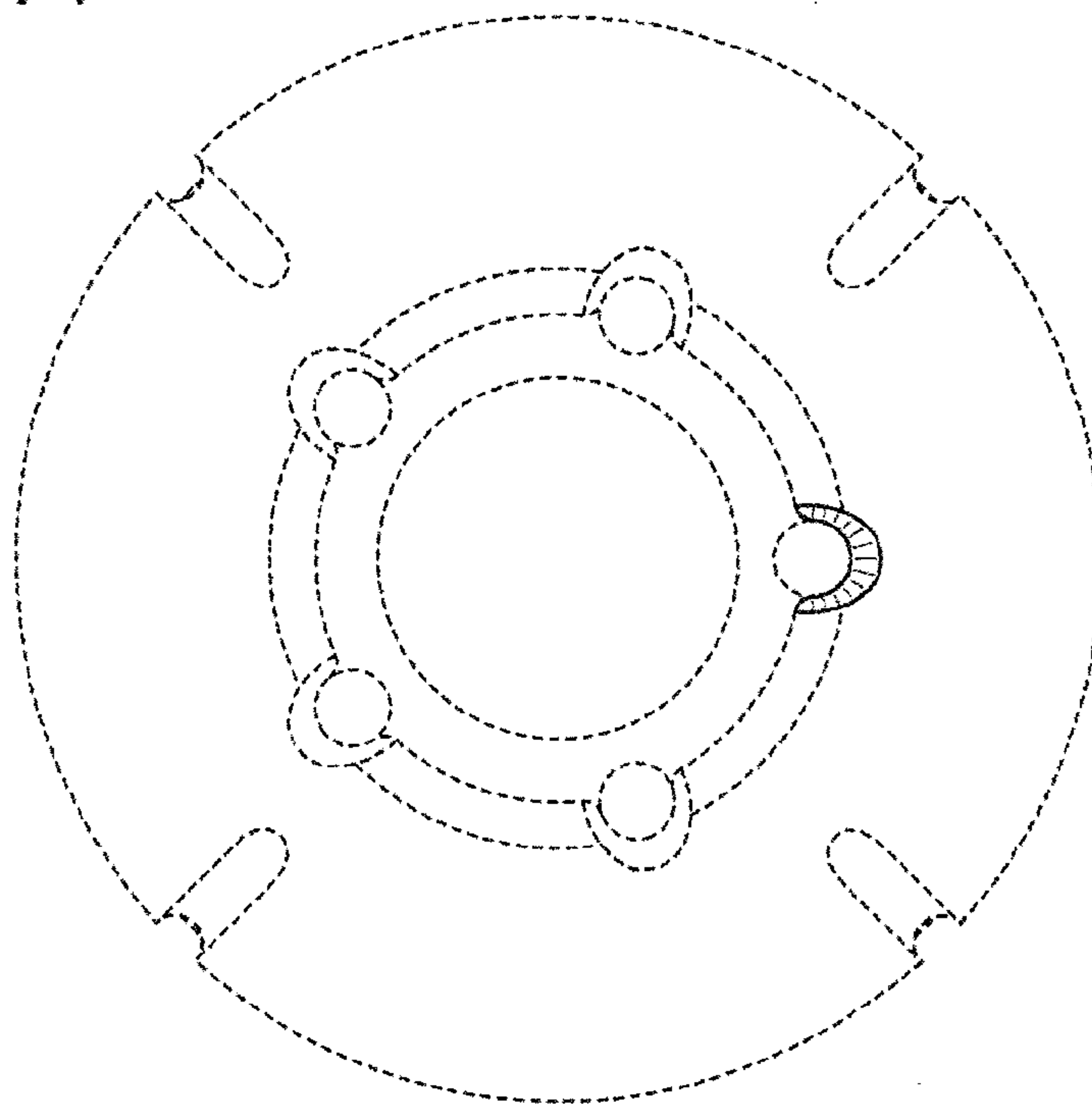


FIG. 8

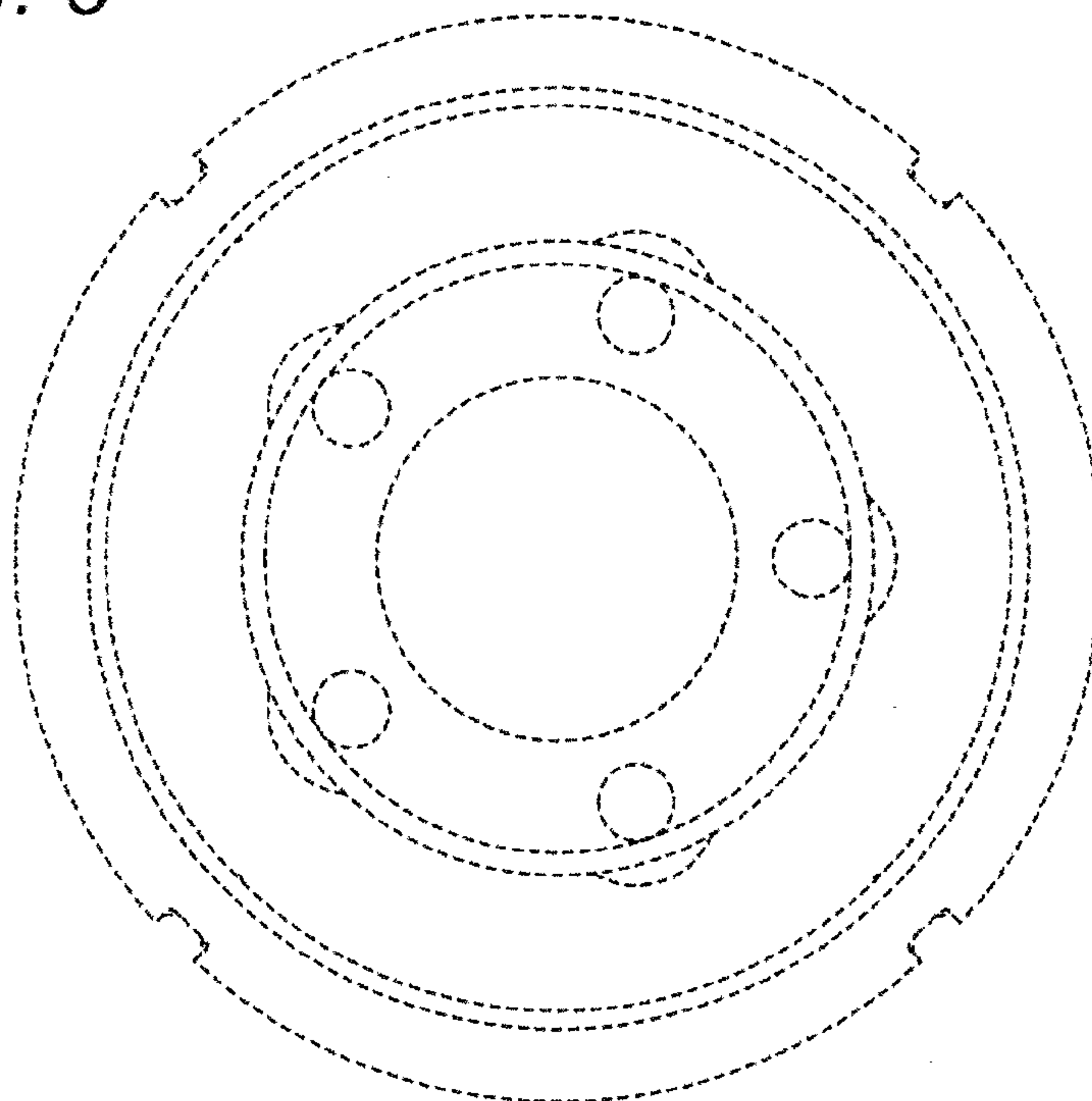


FIG. 9

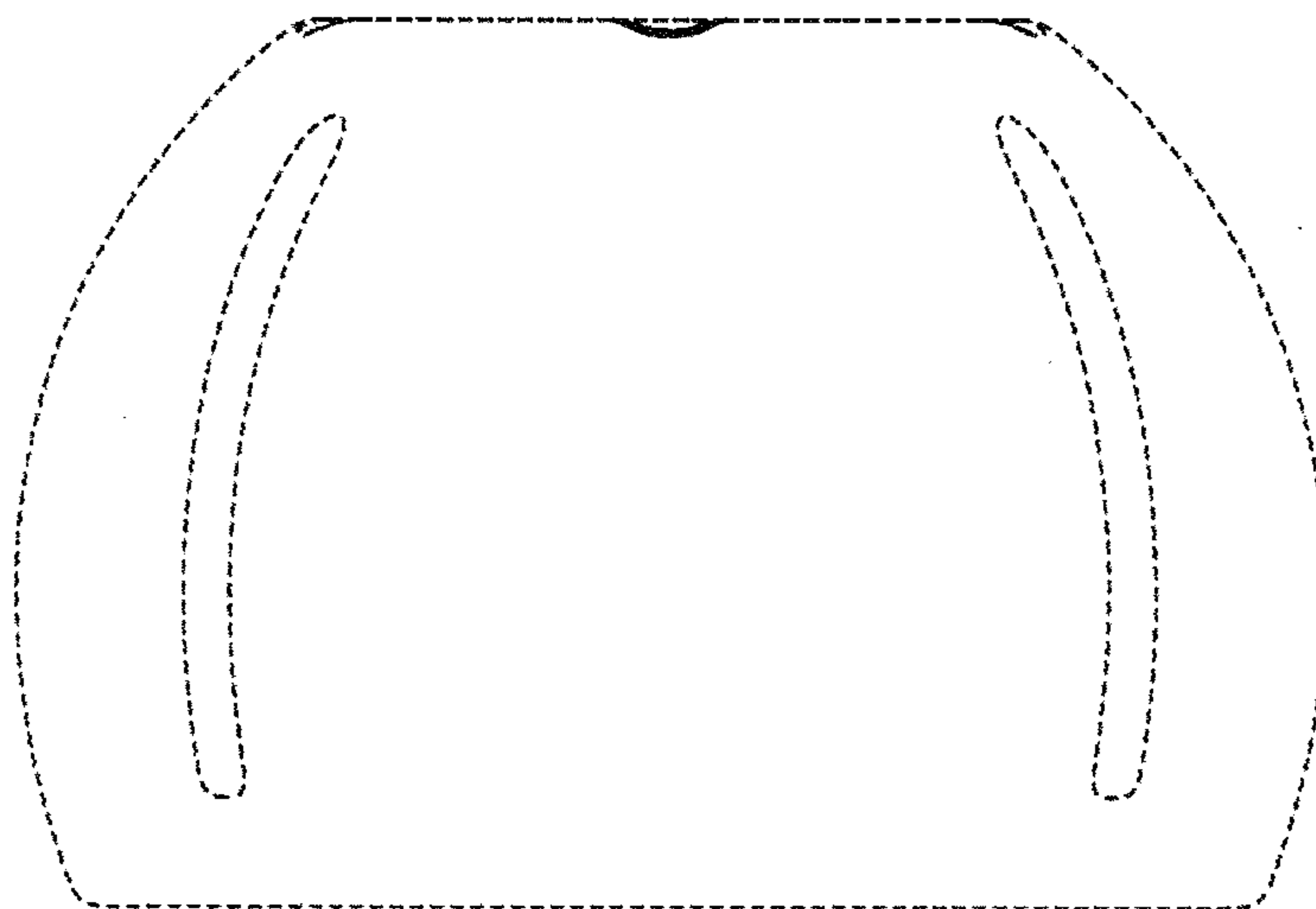


FIG. 10

