



US00D754632S

(12) **United States Design Patent**
Matsumura

(10) **Patent No.:** **US D754,632 S**
(45) **Date of Patent:** **** Apr. 26, 2016**

(54) **HEADPHONE**
(71) Applicant: **PIONEER CORPORATION**,
Kawasaki-shi, Kanagawa (JP)
(72) Inventor: **Takashi Matsumura**, Kawasaki (JP)
(73) Assignee: **PIONEER DJ CORPORATION**,
Kawasaki-shi, Kanagawa (JP)
(**) Term: **14 Years**
(21) Appl. No.: **29/516,030**
(22) Filed: **Jan. 29, 2015**

4,302,635 A * 11/1981 Jacobsen H04R 1/1058
381/371
5,068,923 A * 12/1991 Sjoqvist A61F 11/14
181/129
D353,817 S * 12/1994 Wada D14/205
D353,818 S * 12/1994 Nakamura D14/205
5,406,037 A * 4/1995 Nageno H04R 5/0335
181/129
D369,604 S * 5/1996 Morimiya D14/205
5,574,795 A * 11/1996 Seki H04R 5/0335
381/370
D410,466 S * 6/1999 Mouri D14/205
6,449,806 B1 * 9/2002 Engelhard H04M 1/05
2/209
D588,098 S * 3/2009 Kurihara D14/205
D661,685 S * 6/2012 Lee D14/205
D668,633 S * 10/2012 Enquist D14/205

(Continued)

(30) **Foreign Application Priority Data**

Oct. 28, 2014 (JP) 2014-024001

(51) **LOC (10) Cl.** **14-01**

(52) **U.S. Cl.**
USPC **D14/205**

(58) **Field of Classification Search**
USPC D14/205, 223; D29/112; 2/209;
181/129, 130, 135; 379/430, 431;
381/380, 381, 374; 455/90.3, 575.1
CPC H04R 1/1066
See application file for complete search history.

(56) **References Cited**

U.S. PATENT DOCUMENTS

2,149,341 A * 3/1939 Harrison H04R 1/1066
248/274.1
D135,674 S * 5/1943 Williams et al. 381/374
2,437,049 A * 3/1948 Salisbury A61F 11/14
128/866
D195,304 S * 5/1963 Little et al. D14/205
D204,886 S * 5/1966 Kliewer D14/205
D222,361 S * 10/1971 Hart D14/205
3,681,540 A * 8/1972 Thomson H04R 5/0335
381/374
D244,037 S * 4/1977 Warner D14/205
D244,300 S * 5/1977 Besasie D14/205
4,065,645 A * 12/1977 Warner H04R 5/0335
381/371

FOREIGN PATENT DOCUMENTS

JP 1165673 S 2/2003
JP 1322946 S 2/2008

(Continued)

Primary Examiner — Paula Greene

(74) *Attorney, Agent, or Firm* — Drinker Biddle & Reath
LLP

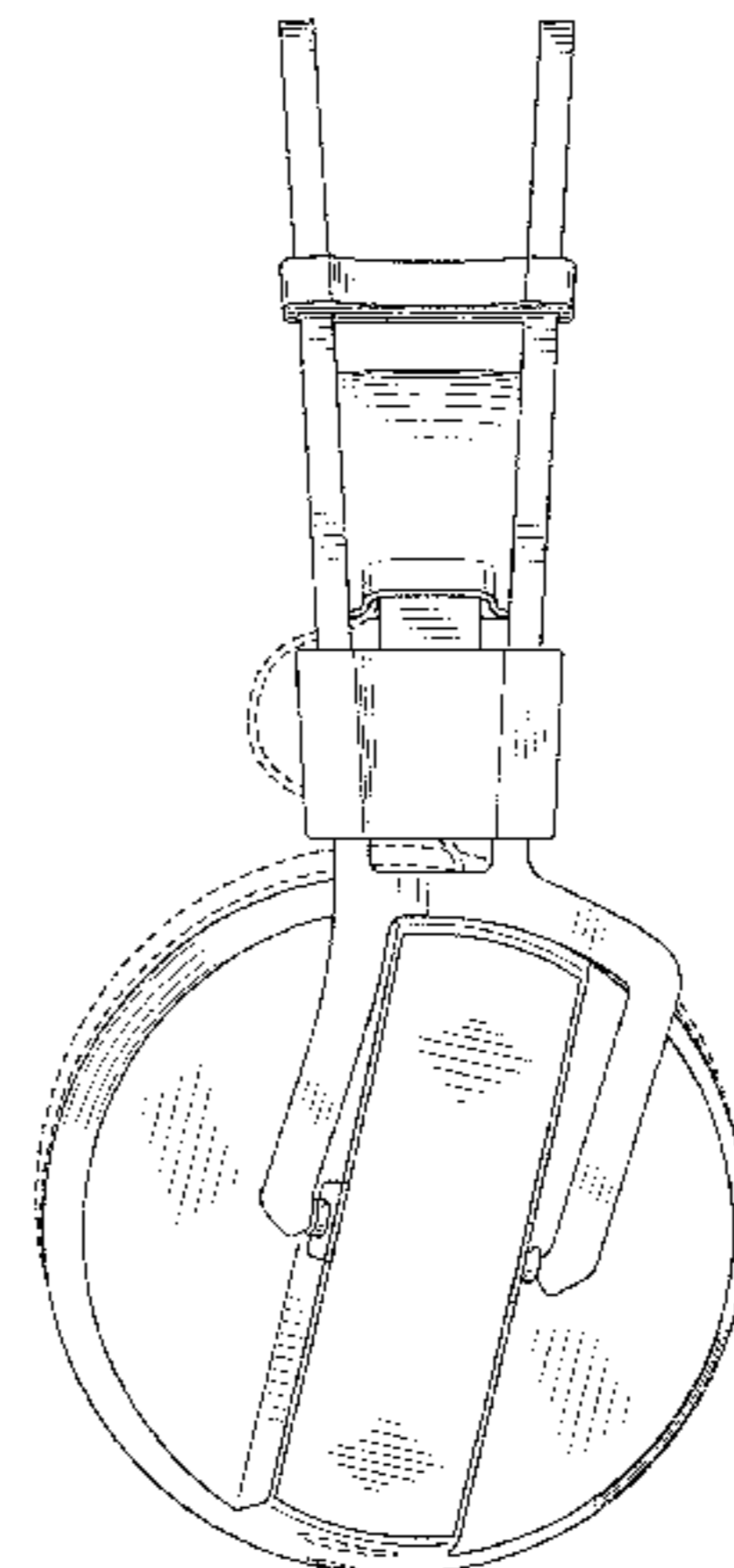
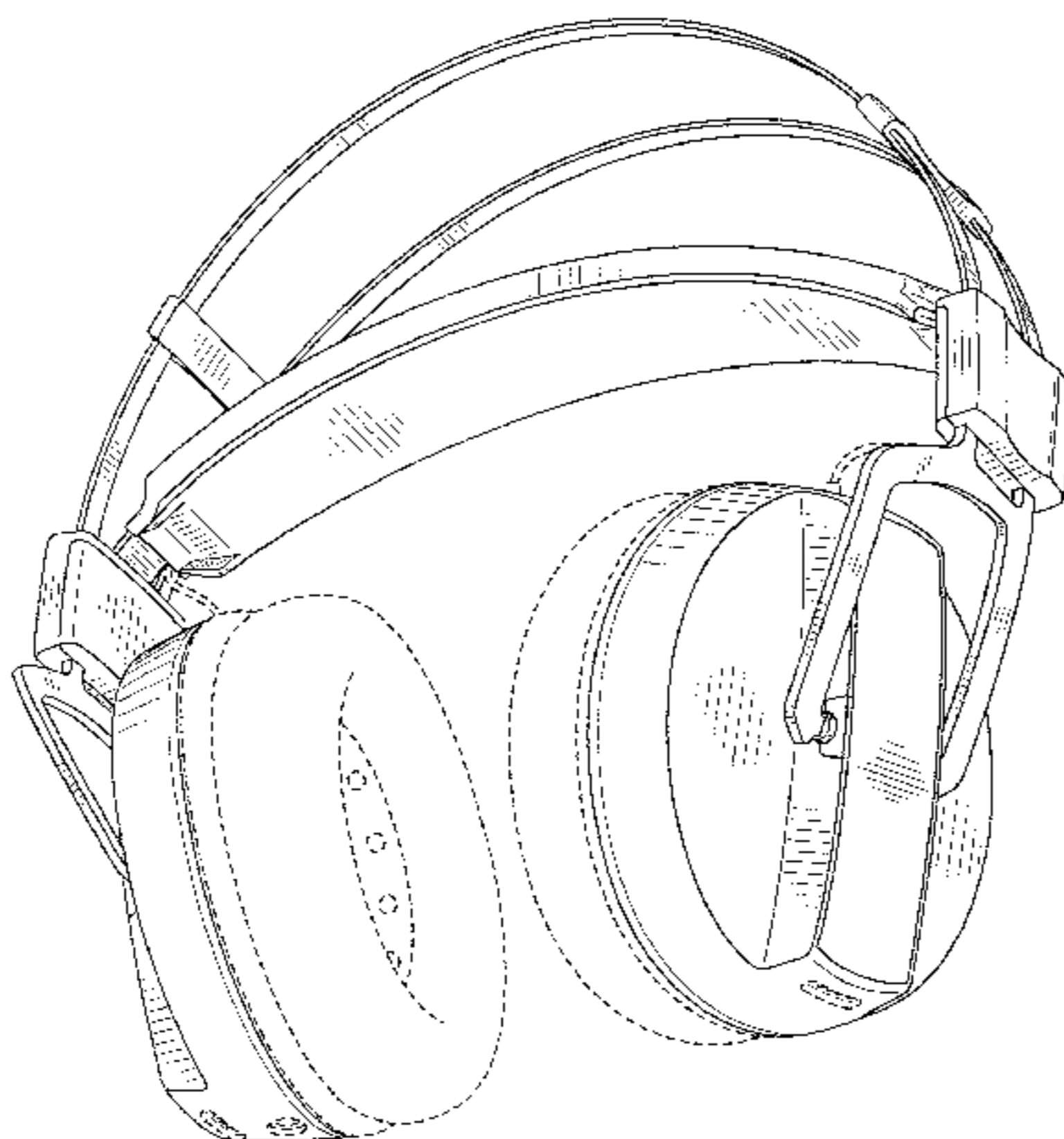
(57) **CLAIM**

The ornamental design for a headphone, as shown and
described.

DESCRIPTION

FIG. 1 is a perspective view of front, top and right side of a
headphone showing my new design;
FIG. 2 is a front view thereof;
FIG. 3 is a rear view thereof;
FIG. 4 is a left side view thereof;
FIG. 5 is a right side view thereof;
FIG. 6 is a top view thereof; and,
FIG. 7 is a bottom view thereof.
The portions of the article in broken lines form no part of the
claimed design.

1 Claim, 7 Drawing Sheets



US D754,632 S

Page 2

(56)

References Cited

U.S. PATENT DOCUMENTS

8,620,007 B2 * 12/2013 Lee H03G 3/02
381/104
8,774,420 B2 * 7/2014 Belafonte H04R 1/2811
381/182
D722,590 S * 2/2015 Lu D14/205
D737,799 S * 9/2015 Carr D14/205

D741,290 S * 10/2015 Schaal D14/205
D743,369 S * 11/2015 Mackiewicz D14/205

FOREIGN PATENT DOCUMENTS

JP 1351986 S 2/2009
JP 1411701 S 4/2011
JP 1411708 S 4/2011

* cited by examiner

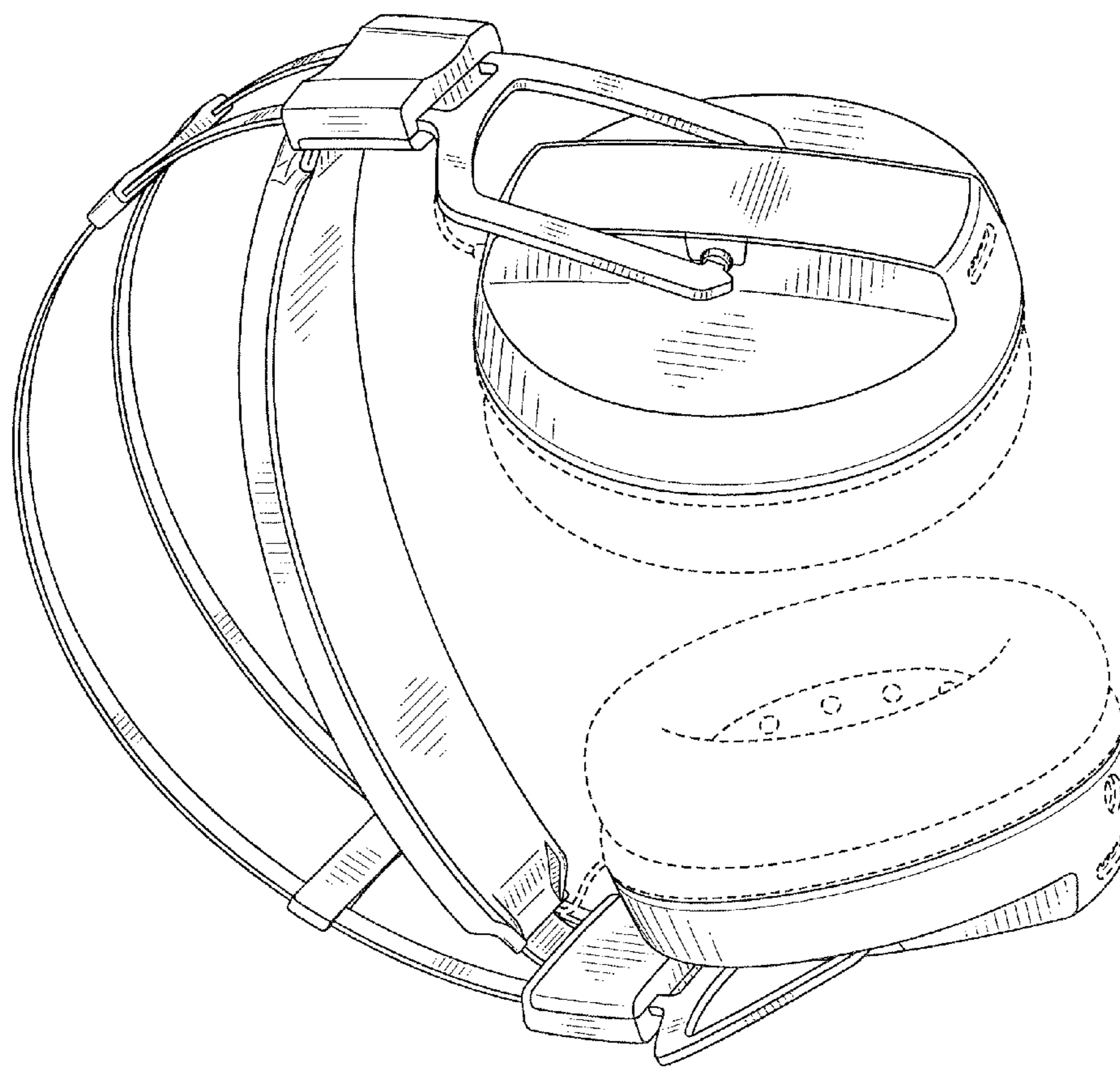


FIG. 1

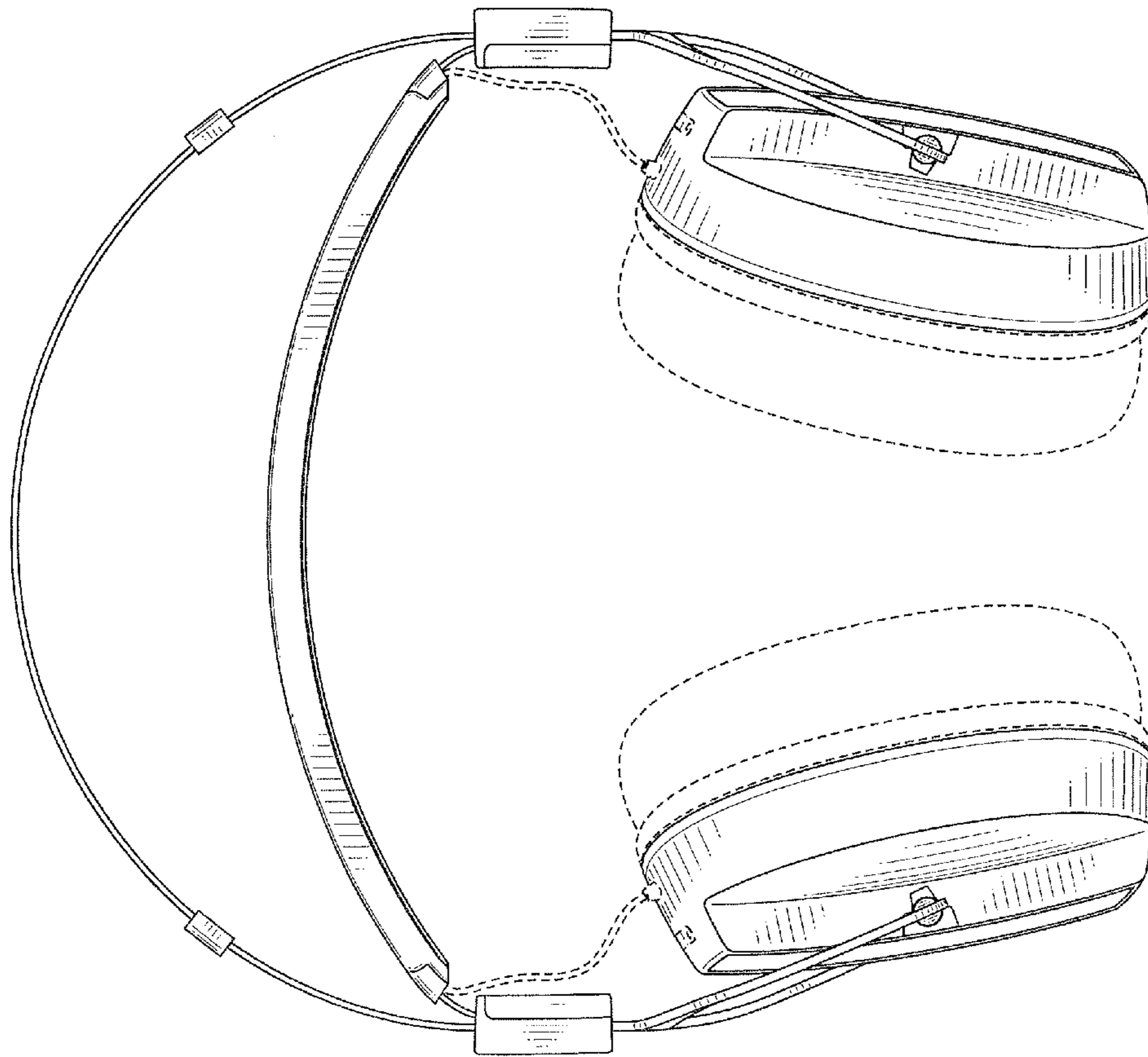


FIG. 2

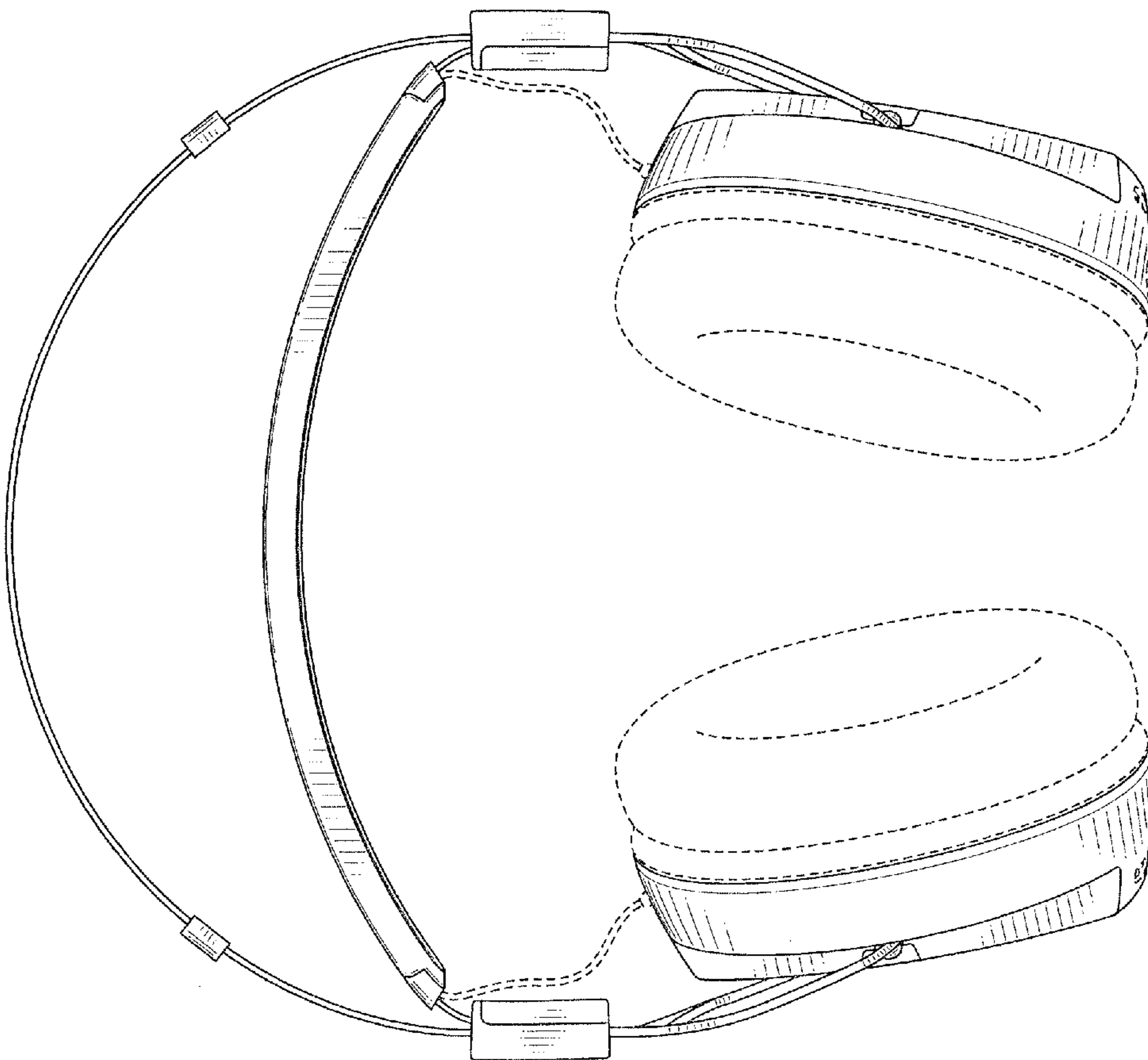


FIG. 3

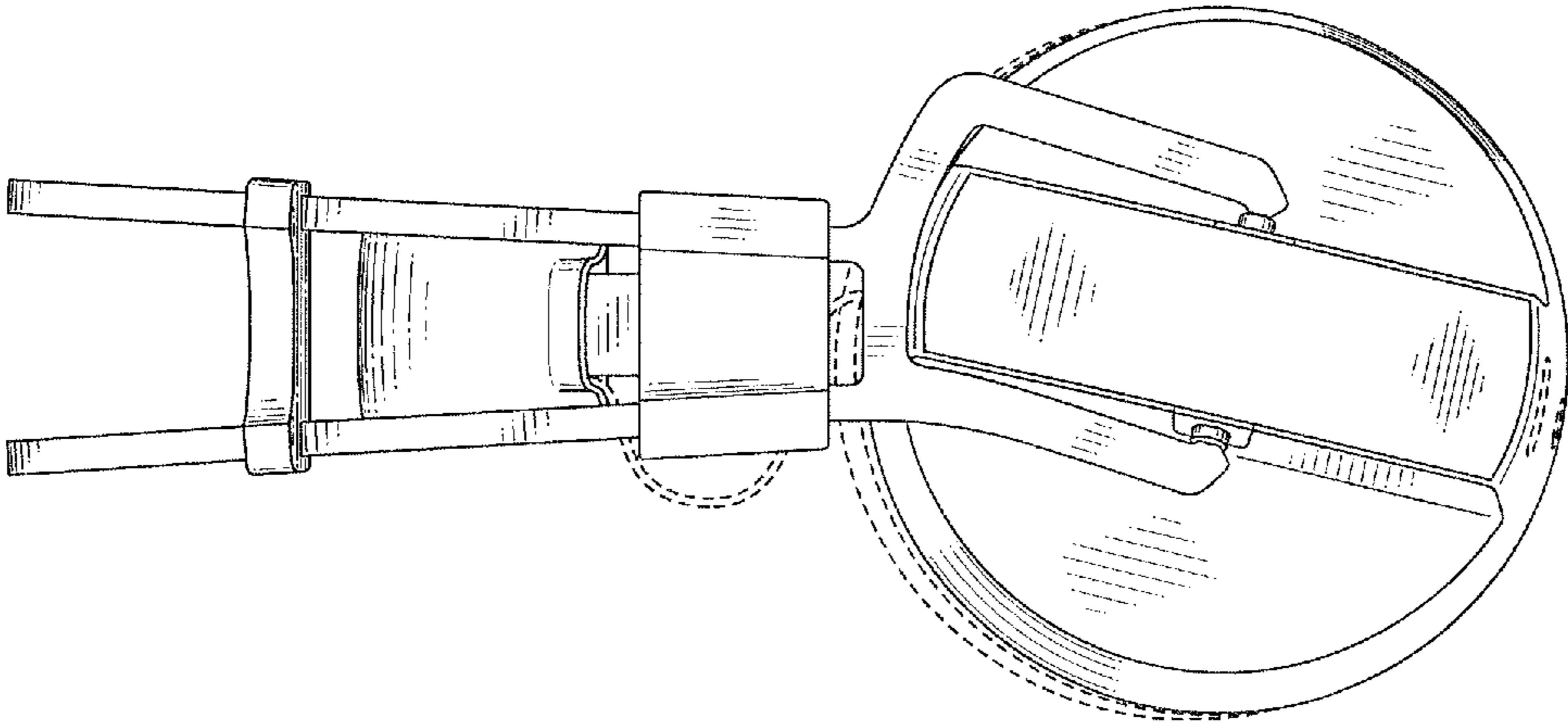


FIG. 4

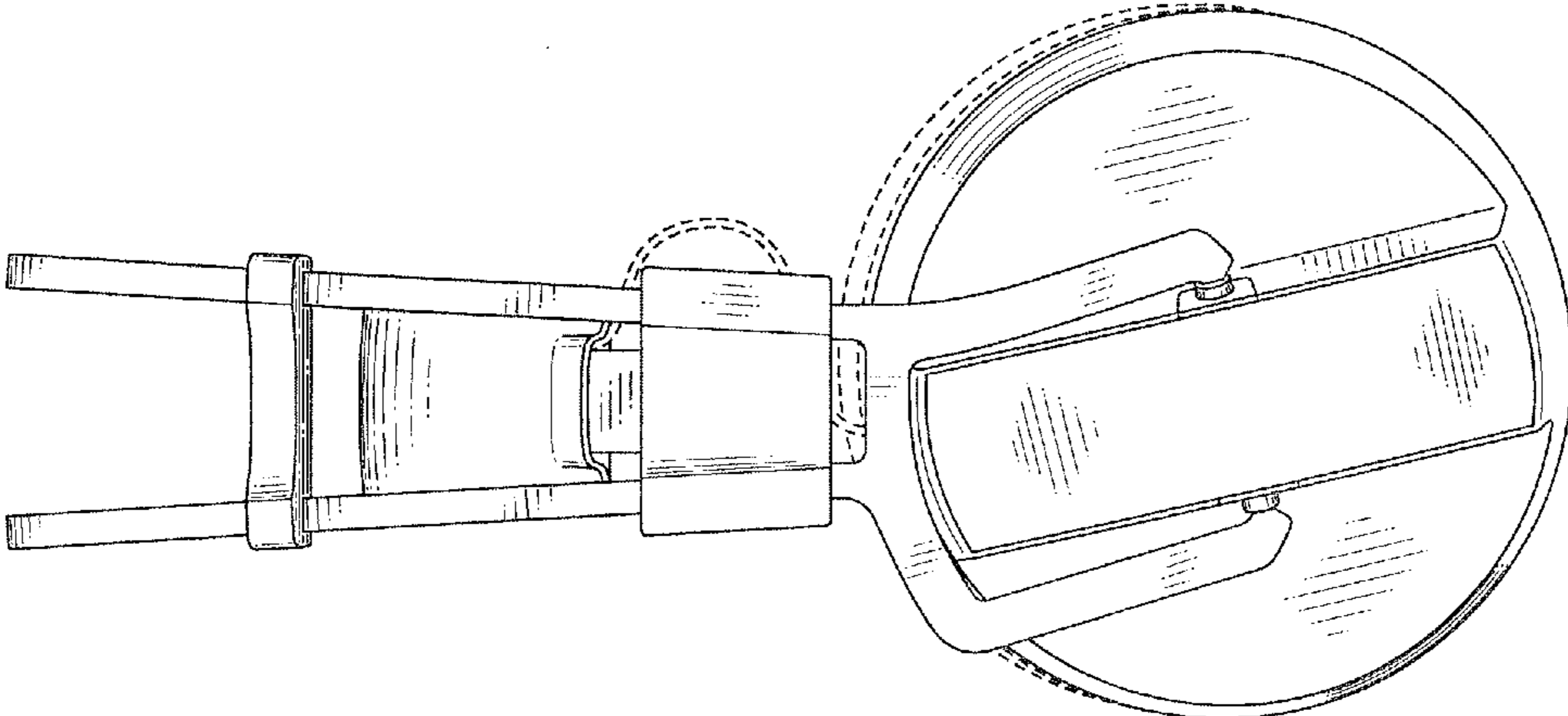


FIG. 5

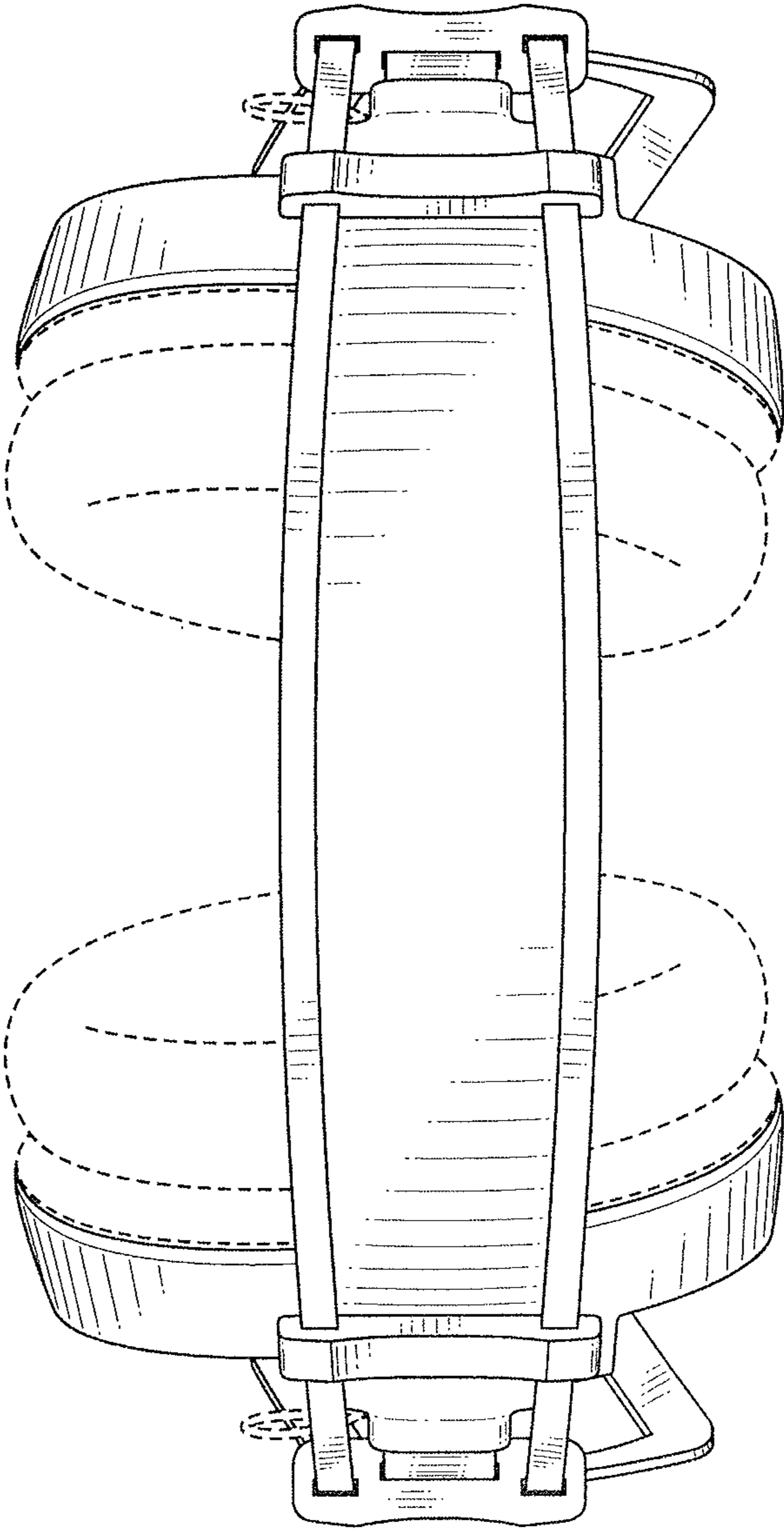


FIG. 6

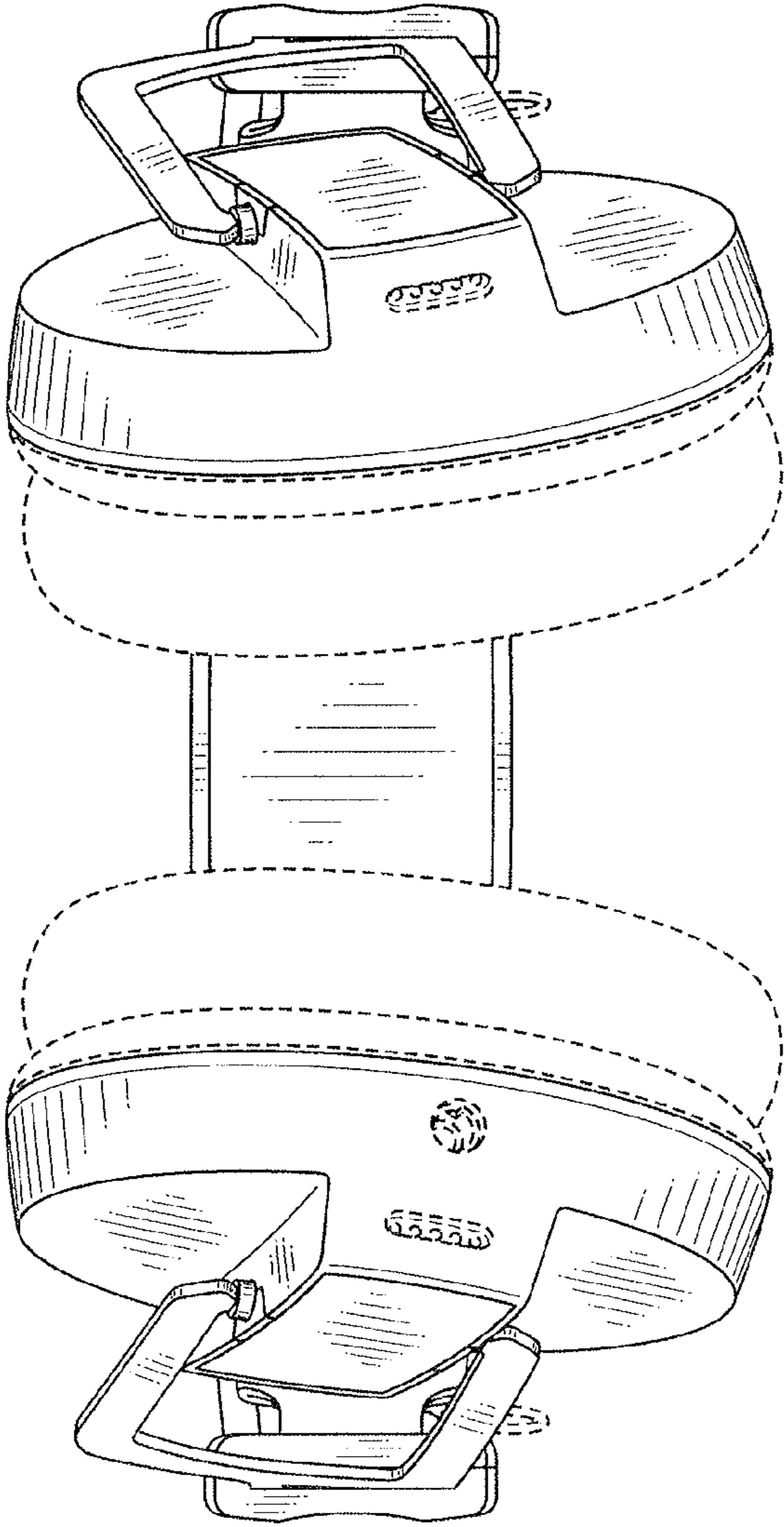


FIG. 7