



US00D754629S

(12) **United States Design Patent**
Kim et al.

(10) **Patent No.:** **US D754,629 S**
(45) **Date of Patent:** **** Apr. 26, 2016**

(54) **HOME THEATER SPEAKER**

(56) **References Cited**

(71) Applicant: **LG ELECTRONICS INC.**, Seoul (KR)

U.S. PATENT DOCUMENTS

(72) Inventors: **Jong Ho Kim**, Seoul (KR); **Jun Ki Kim**,
Seoul (KR); **Sang Hoon Yoon**, Seoul
(KR)

3,207,257	A *	9/1965	Wilson	181/147
D468,727	S *	1/2003	Manneschi	D14/222
D538,259	S *	3/2007	Okamura et al.	D14/172
D659,677	S *	5/2012	Kim et al.	D14/214
D660,284	S *	5/2012	Carbone	D14/214
D669,883	S *	10/2012	Cheng	D14/214
2005/0180589	A1 *	8/2005	Liu	381/338
2012/0063618	A1 *	3/2012	Tanaka et al.	381/303

(73) Assignee: **LG ELECTRONICS INC.**, Seoul (KR)

* cited by examiner

(**) Term: **14 Years**

(21) Appl. No.: **29/479,205**

Primary Examiner — Derrick Holland

(22) Filed: **Jan. 13, 2014**

Assistant Examiner — Janice Lim

(30) **Foreign Application Priority Data**

(74) *Attorney, Agent, or Firm* — Birch, Stewart, Kolasch & Birch, LLP

Sep. 23, 2013 (KR) 30-2013-0048441

(51) **LOC (10) Cl.** **14-01**

(57) **CLAIM**

The ornamental design for a home theater speaker, as shown and described.

(52) **U.S. Cl.**
USPC **D14/204**

DESCRIPTION

(58) **Field of Classification Search**
USPC D14/172, 194, 204, 207, 209.1,
D14/210–215, 221, 222; 181/148, 152, 153,
181/157, 192, 198, 199; 381/300–303, 332,
381/333, 336, 345, 361, 386–388
CPC H04M 1/03; H04M 1/035; H04R 1/02;
H04R 1/06; H04R 1/021; H04R 1/025;
H04R 1/026; H04R 1/105; H04R 1/323;
H04R 1/345; H04R 1/403; H04R 1/2803;
H04R 1/2834; H04R 3/12; H04R 5/02;
H04R 2203/12

FIG. 1 is a perspective view of a home theater speaker, showing our new design;
FIG. 2 is a front elevation view thereof;
FIG. 3 is a rear elevation view thereof, shown in an enlarged scale;
FIG. 4 is a left-side elevation view thereof, shown in an enlarged scale;
FIG. 5 is a right-side elevation view thereof, shown in an enlarged scale;
FIG. 6 is a top plan view thereof; and,
FIG. 7 is a bottom plan view thereof.

See application file for complete search history.

1 Claim, 5 Drawing Sheets

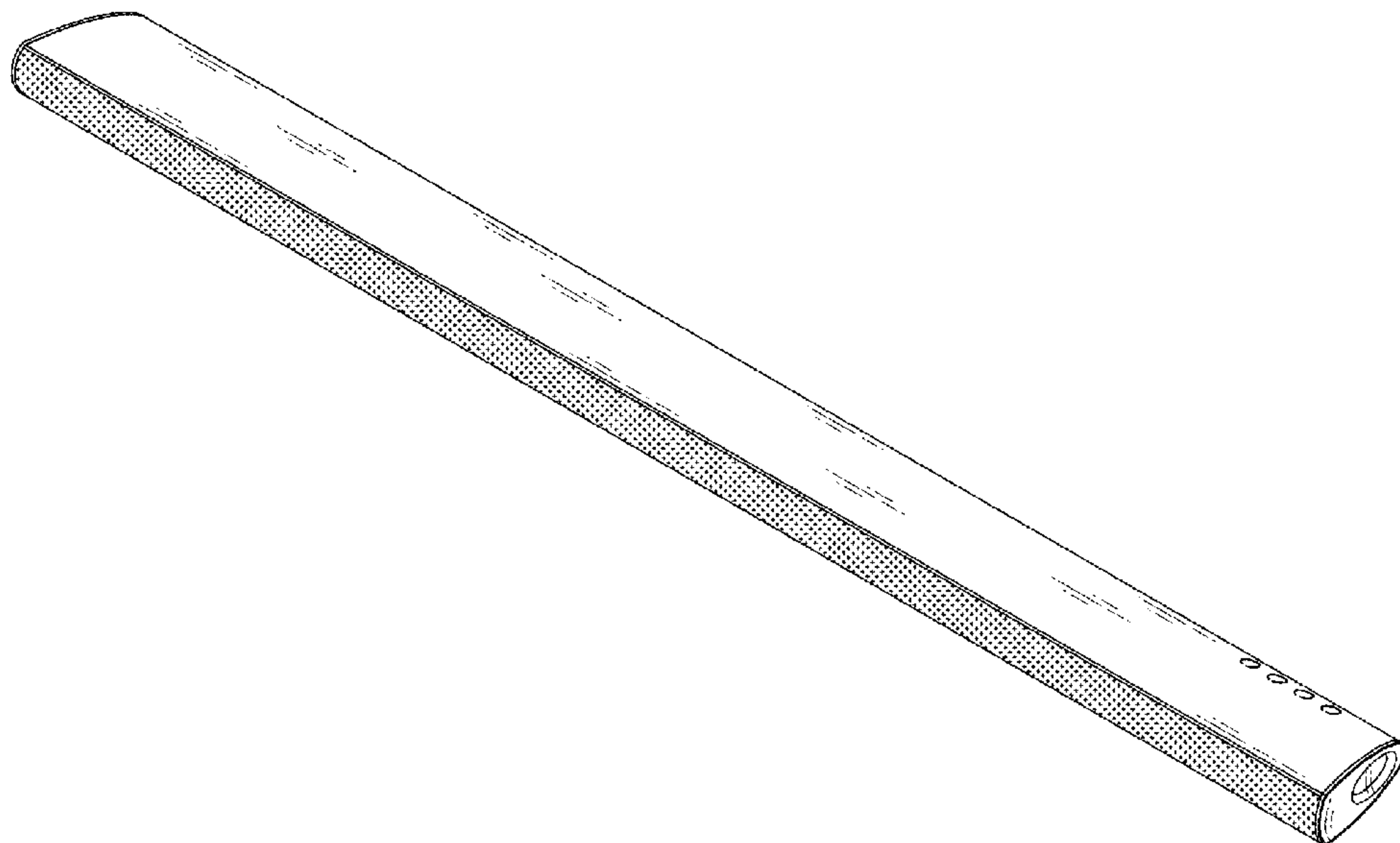


FIG. 1

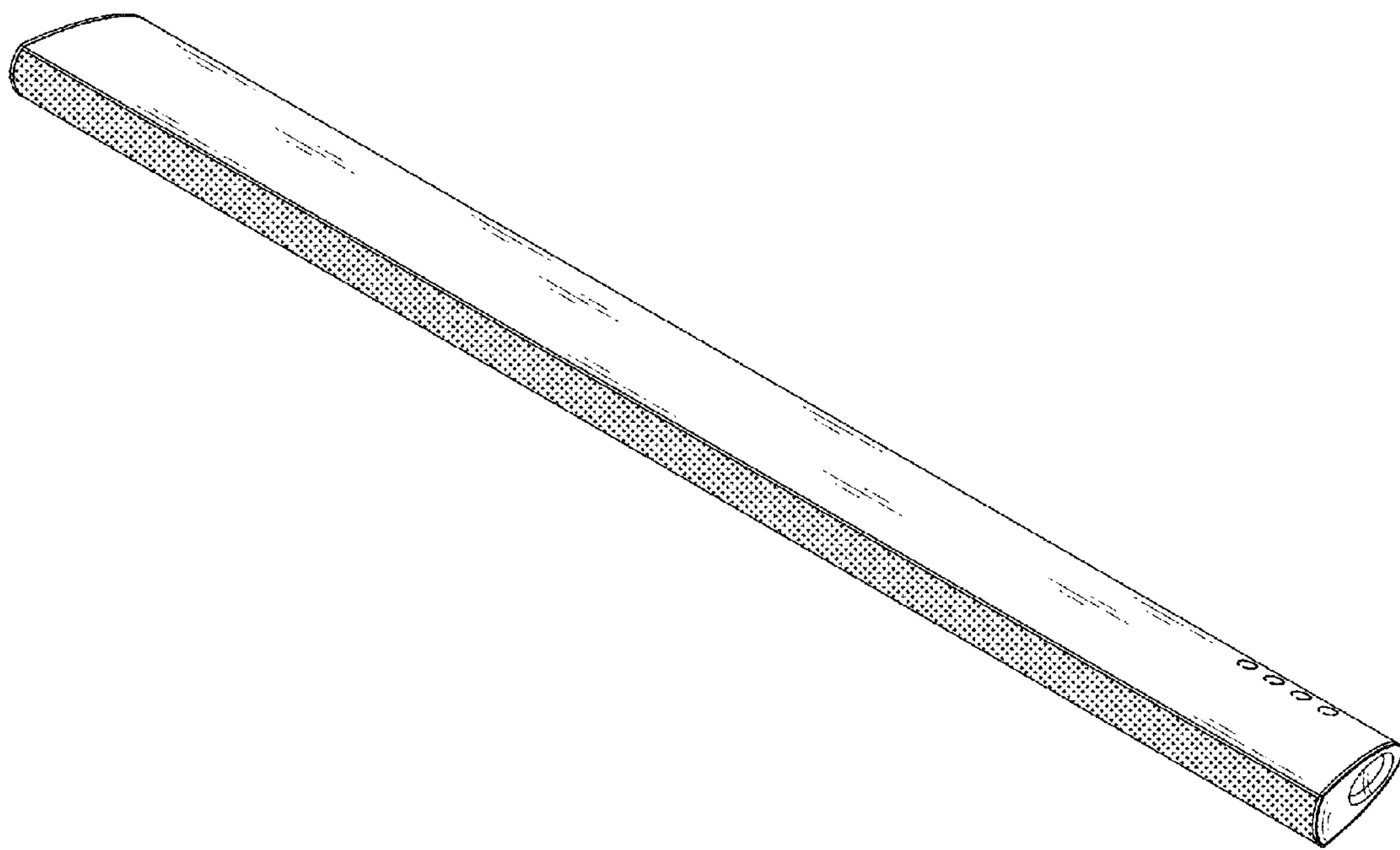


FIG. 2



FIG. 3

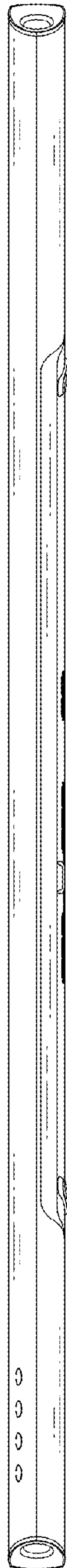


FIG. 4

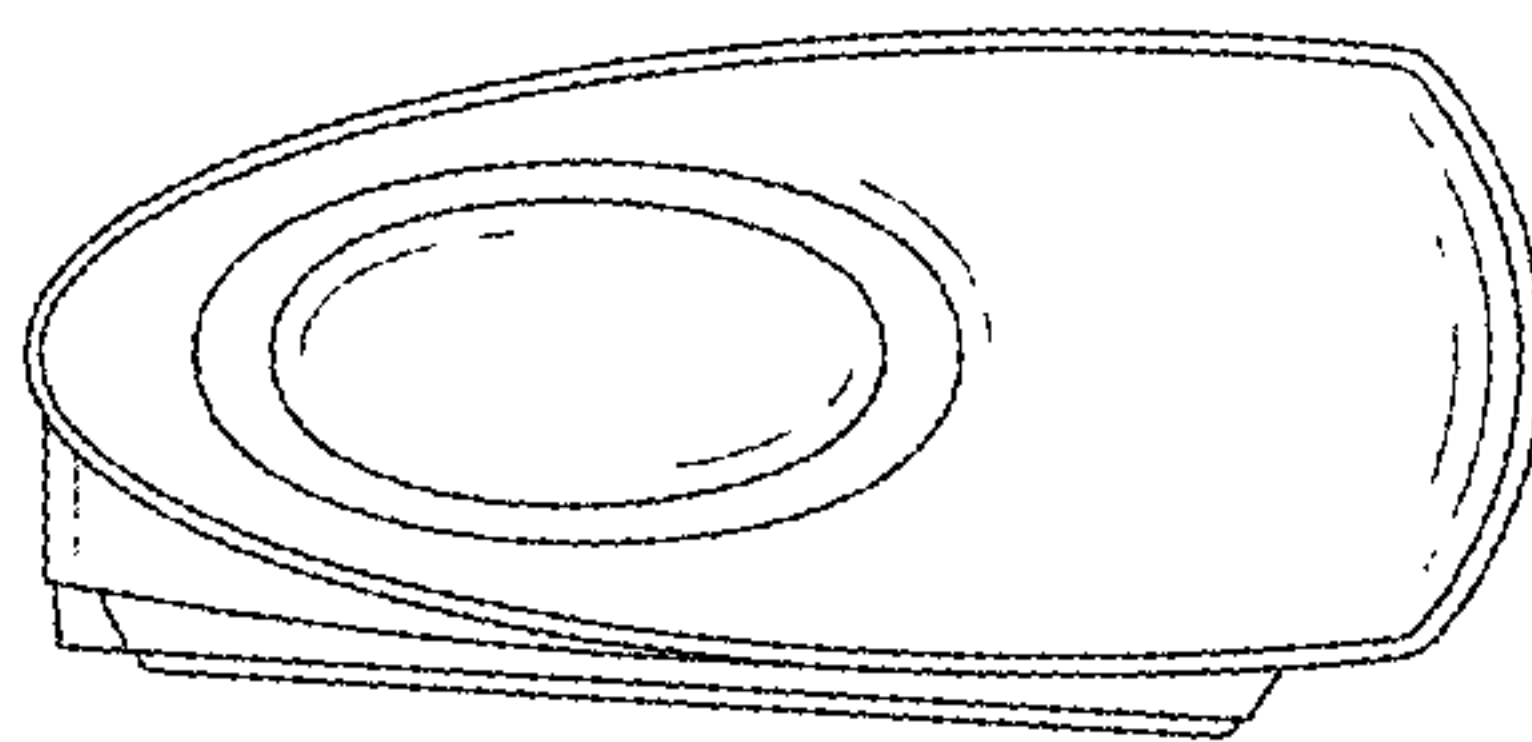


FIG. 5

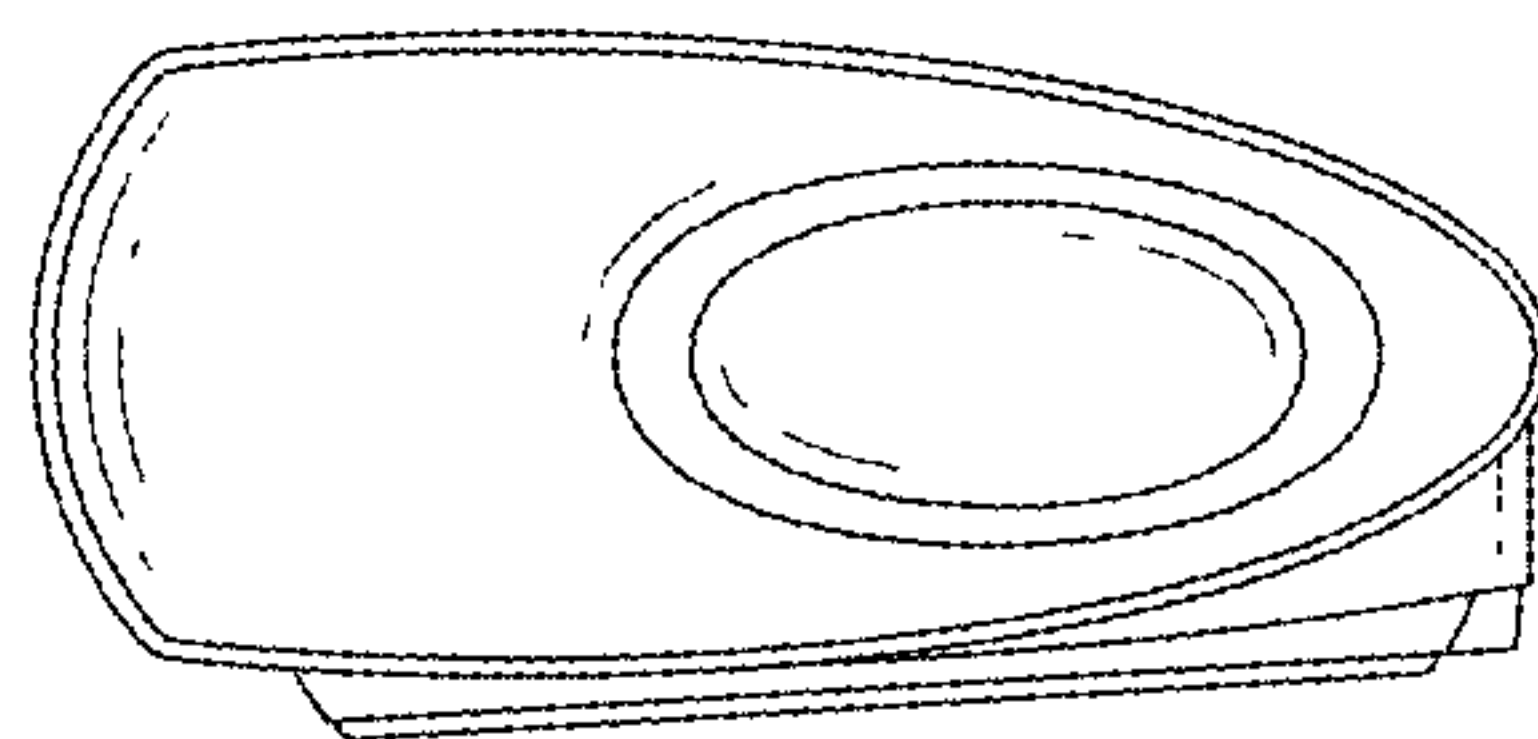


FIG.6

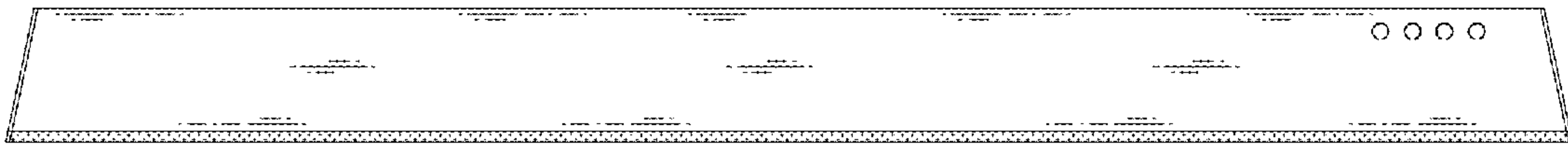


FIG.7

