



US00D754628S

(12) **United States Design Patent**  
**Baird et al.**

(10) **Patent No.:** **US D754,628 S**  
(45) **Date of Patent:** **\*\* Apr. 26, 2016**

(54) **LOUDSPEAKER**

(71) Applicant: **Martin Audio Ltd.**, High Wycombe (GB)

(72) Inventors: **Jason Baird**, High Wycombe (GB); **Ben Holden**, High Wycombe (GB)

(73) Assignee: **Martin Audio LTD.** (GB)

(\*\*) Term: **14 Years**

(21) Appl. No.: **29/467,956**

(22) Filed: **Sep. 25, 2013**

(30) **Foreign Application Priority Data**

Mar. 27, 2013 (EM) ..... 001366330-0001  
Mar. 27, 2013 (EM) ..... 001366330-0002

(51) **LOC (10) Cl.** ..... **14-01**

(52) **U.S. Cl.**  
USPC ..... **D14/204**

(58) **Field of Classification Search**  
USPC ..... D14/167-168, 170-172, 188, 194-196,  
D14/203.1, 204, 207, 209.1, 210-216, 221,  
D14/222, 224; 381/300, 332, 334, 336, 345,  
381/361-363, 386, 387  
CPC ..... H04B 1/08; H04R 1/02; H04R 5/02;  
H04R 25/60; H04R 25/65; H04R 25/608  
See application file for complete search history.

(56) **References Cited**

U.S. PATENT DOCUMENTS

D333,866 S *	3/1993	Wang .....	D23/335
D354,803 S *	1/1995	Huang .....	D23/328
D382,634 S *	8/1997	Jane et al. ....	D23/335
D542,265 S *	5/2007	Hussaini et al. ....	D14/170
D568,294 S *	5/2008	Sawhney et al. ....	D14/214
D570,464 S *	6/2008	Normark .....	D23/364
D586,777 S *	2/2009	Joseph .....	D14/171
D655,691 S *	3/2012	Stewart et al. ....	D14/214

\* cited by examiner

*Primary Examiner* — Derrick Holland

*Assistant Examiner* — Janice Lim

(74) *Attorney, Agent, or Firm* — Dinsmore & Shohl LLP

(57) **CLAIM**

The ornamental design for a loudspeaker, as shown and described.

**DESCRIPTION**

FIG. 1 is a front perspective view of a loudspeaker showing the new design;

FIG. 2 is front view of the design of FIG. 1;

FIG. 3 is a rear view of the design of FIG. 1;

FIG. 4 is a side view of the design of FIG. 1;

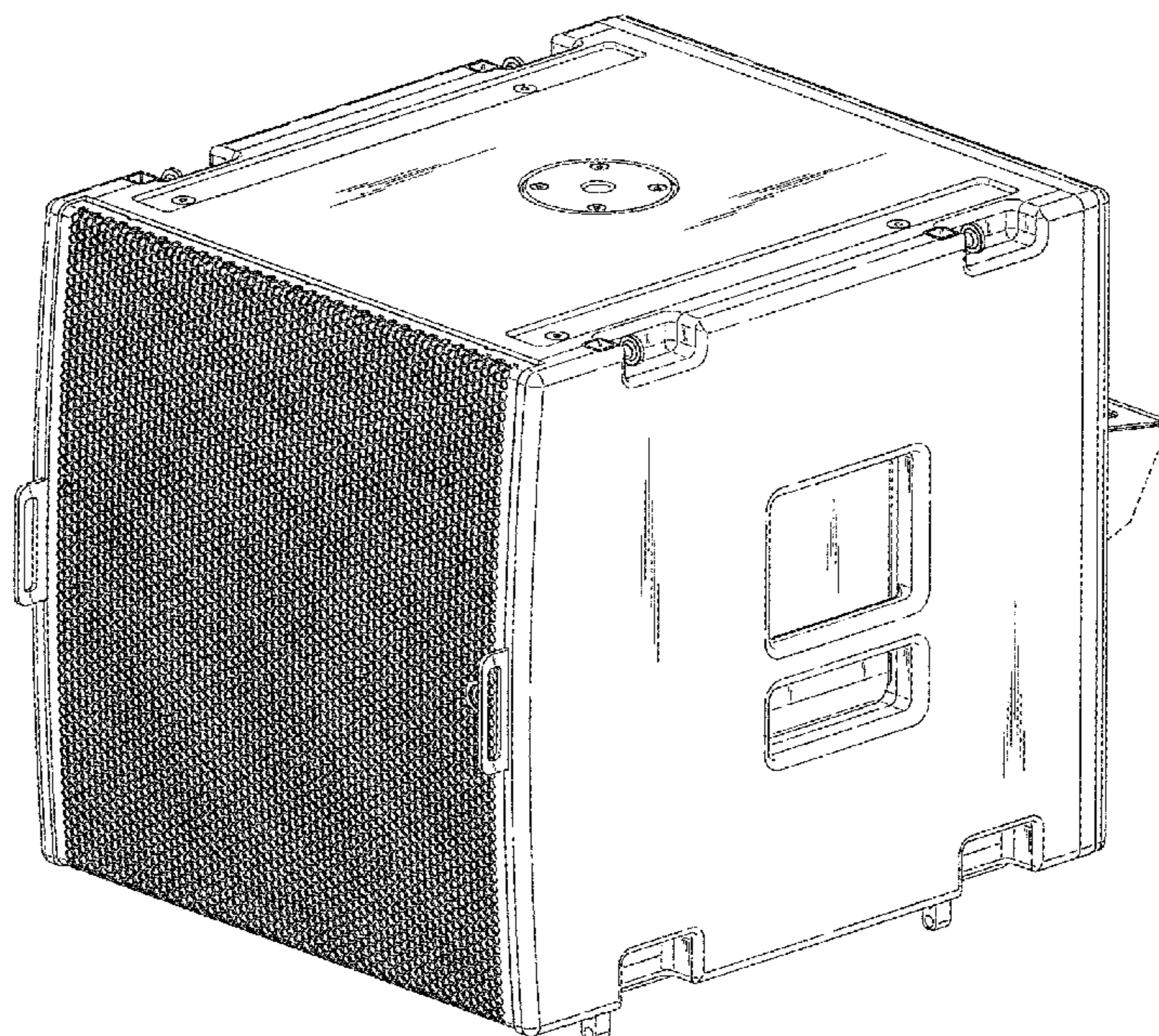
FIG. 5 is an opposite side view of the design of FIG. 1;

FIG. 6 is a top view of the design of FIG. 1; and,

FIG. 7 is a bottom view of the design of FIG. 1.

The broken line portion of FIGS. 1-5 and 7 are included to show unclaimed subject matter only and form no part of the claimed design.

**1 Claim, 5 Drawing Sheets**



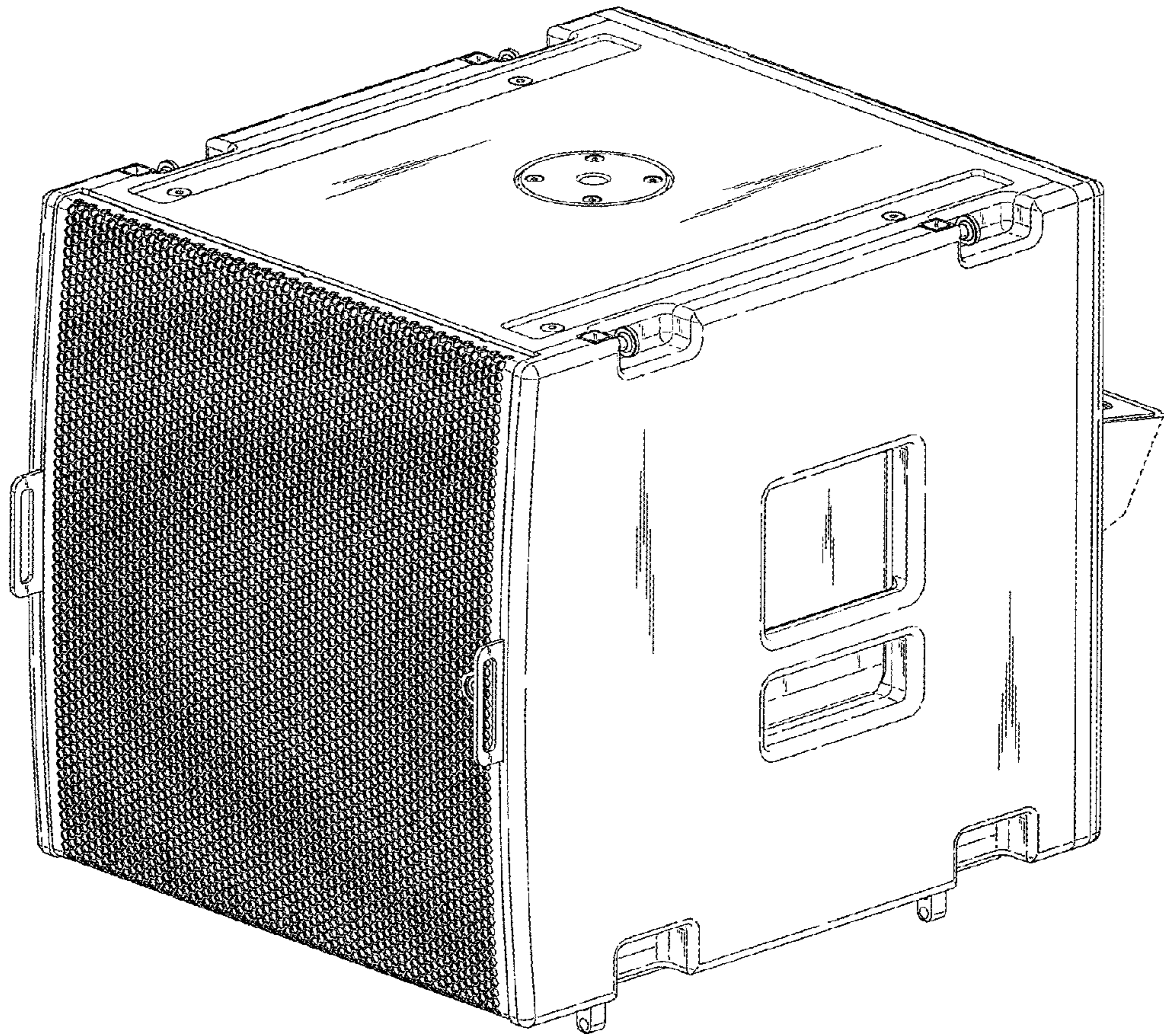


Fig. 1

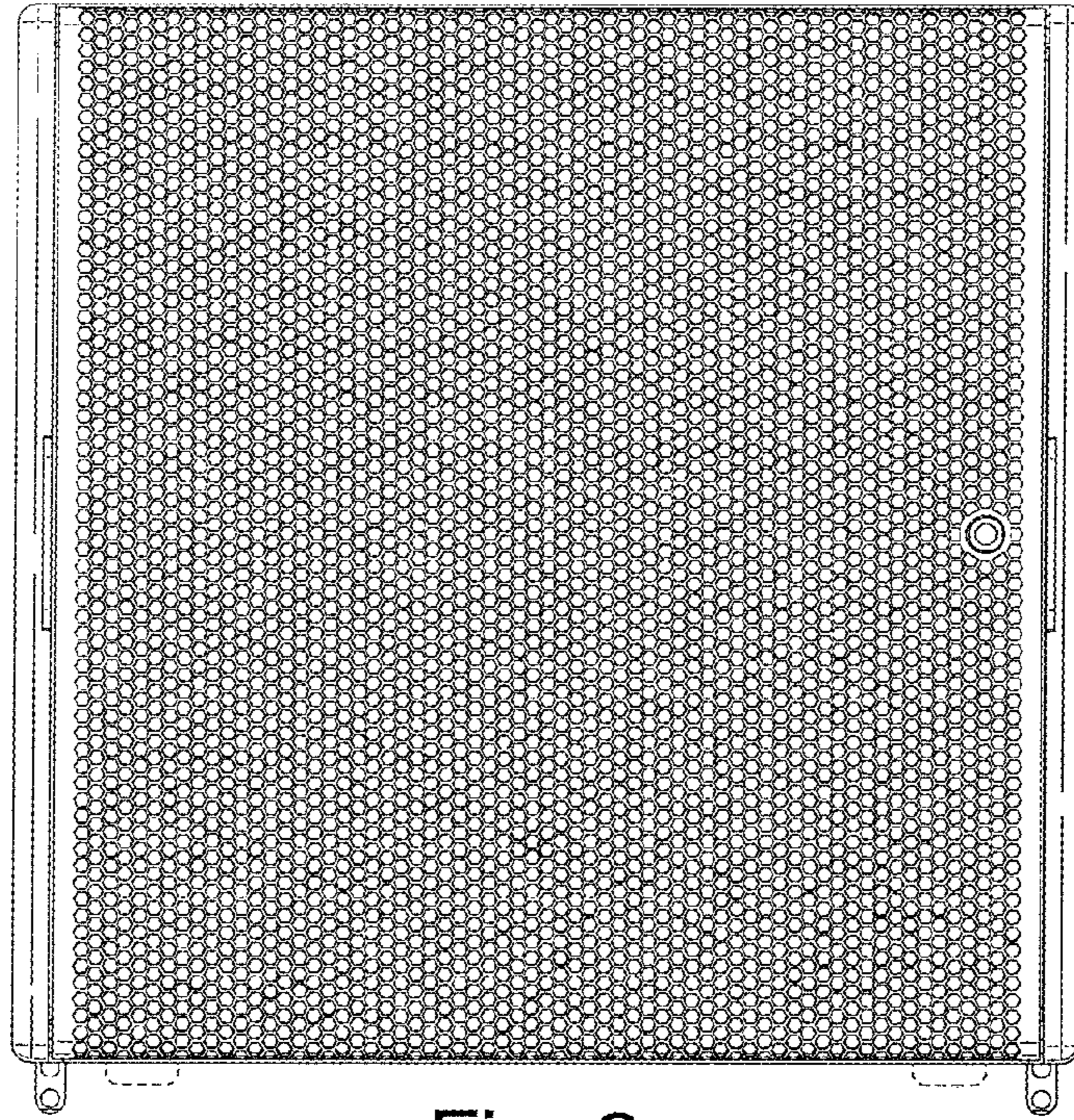


Fig. 2

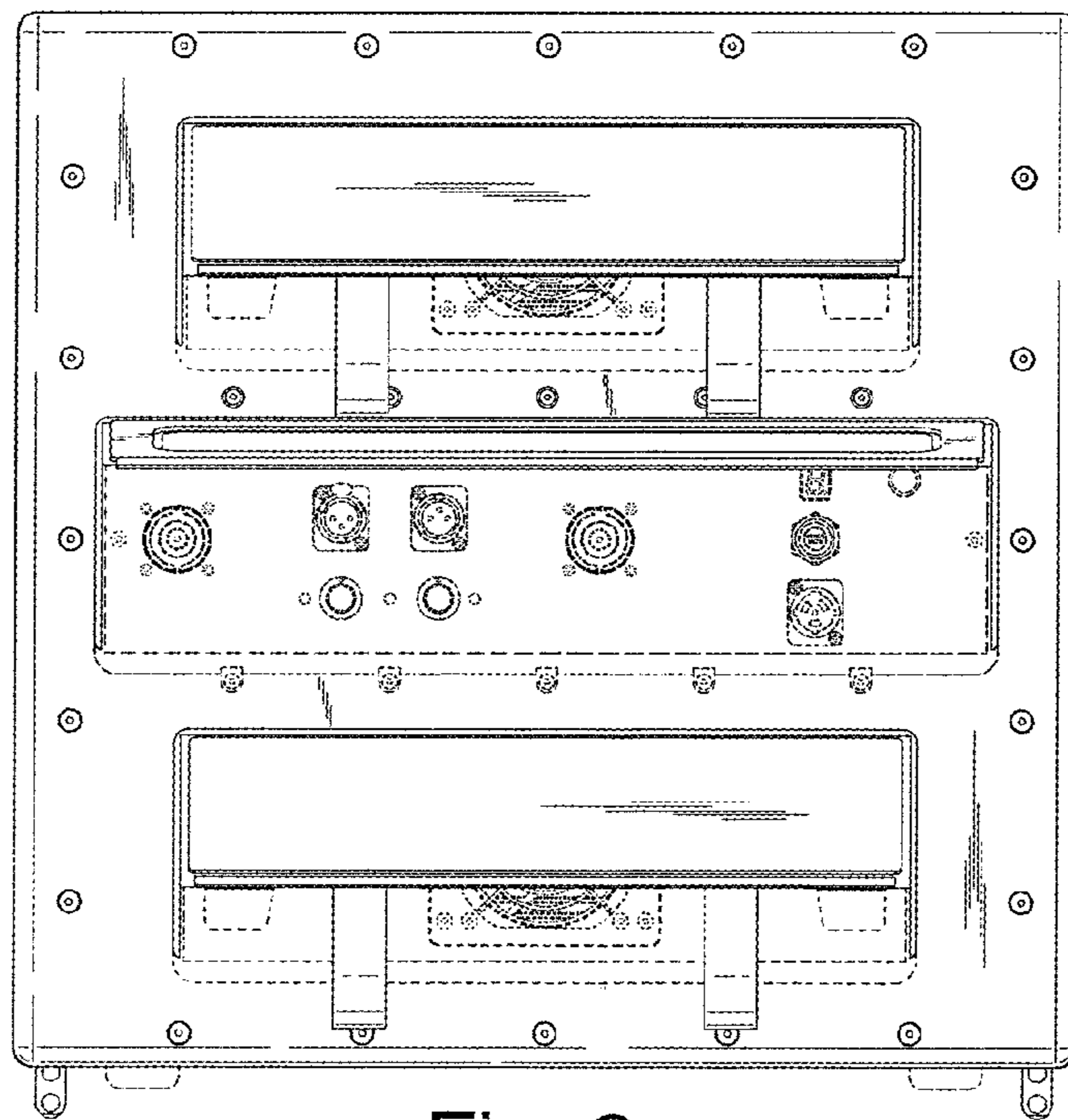


Fig. 3

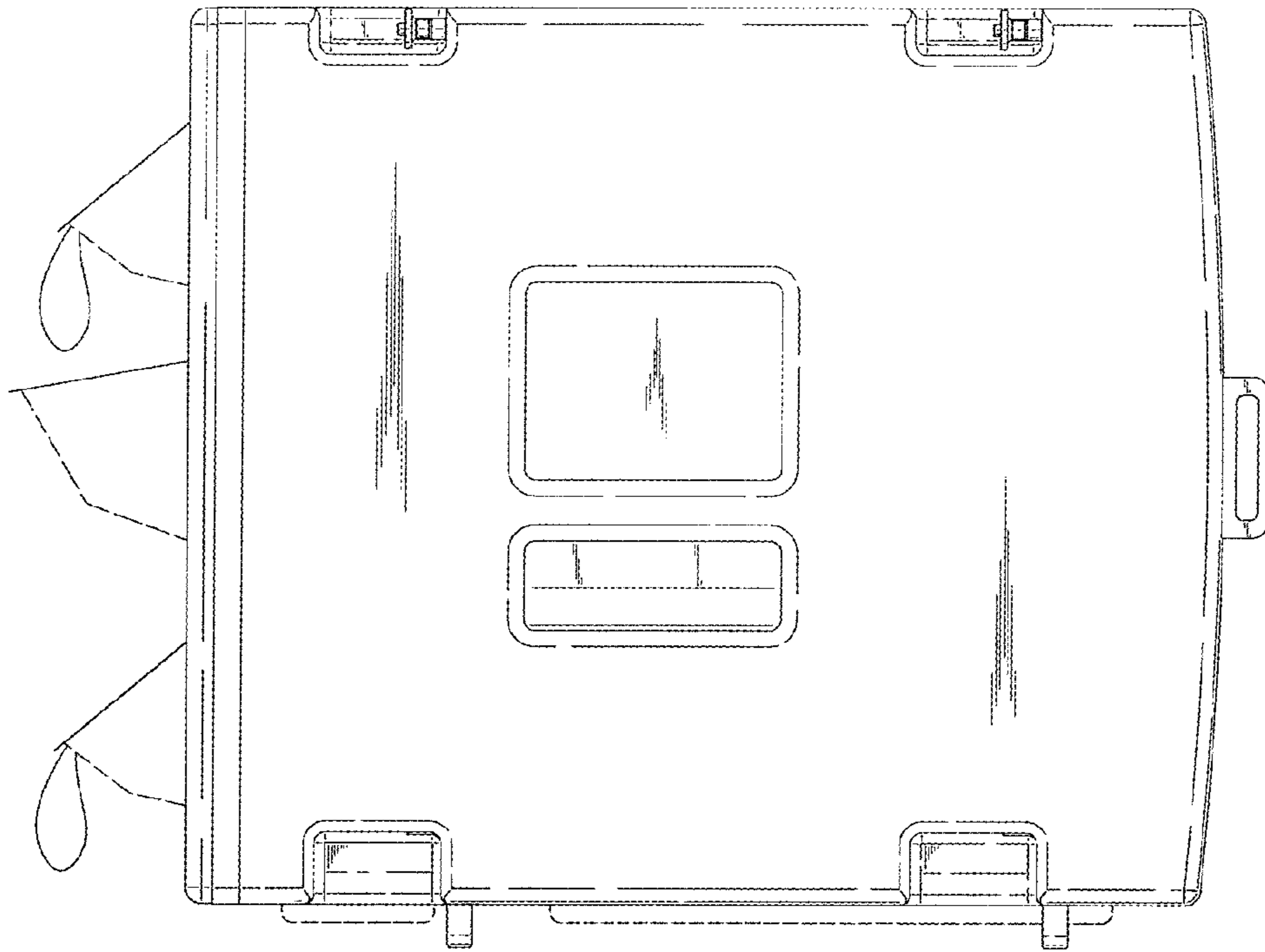


Fig. 4

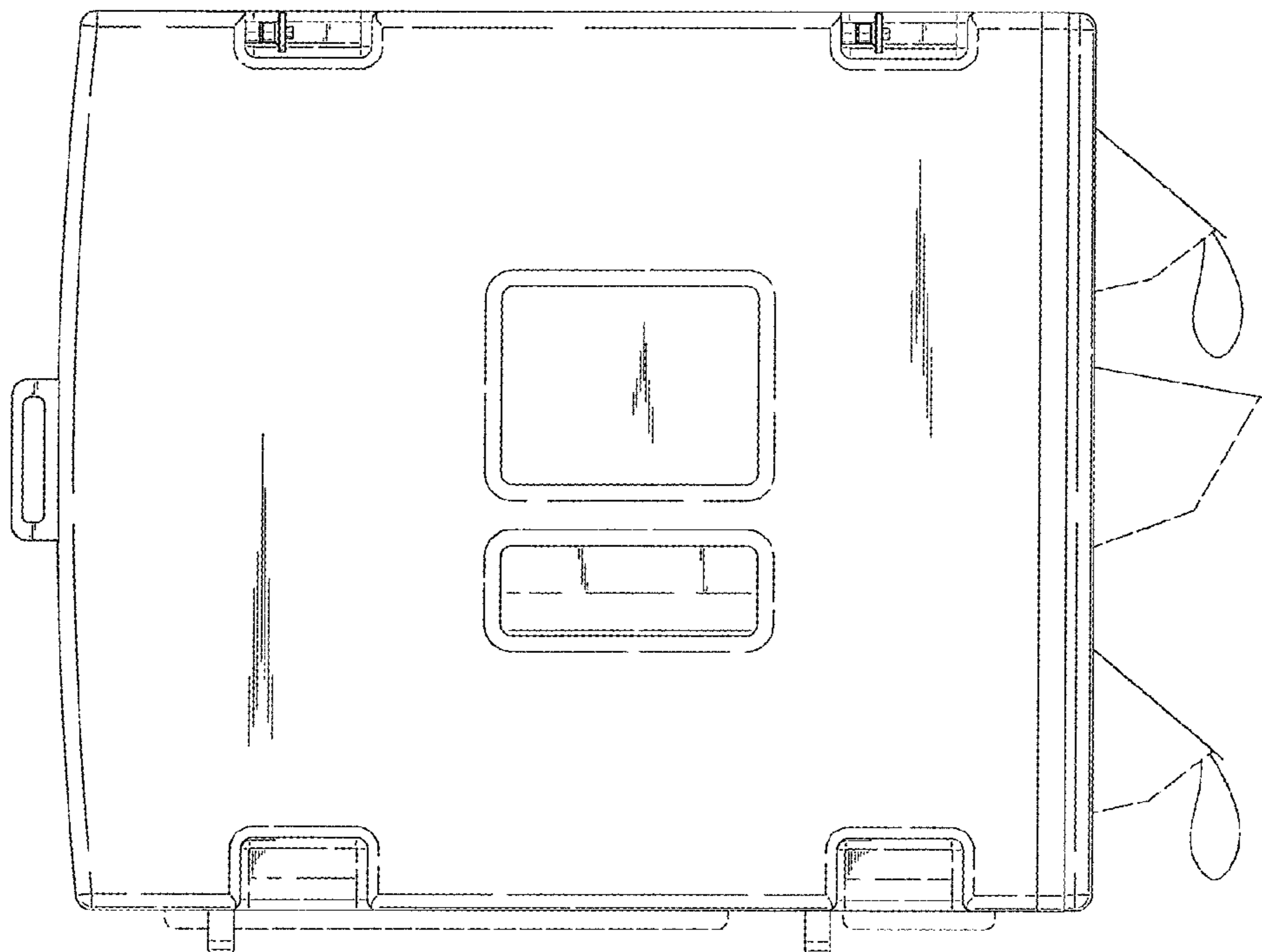


Fig. 5

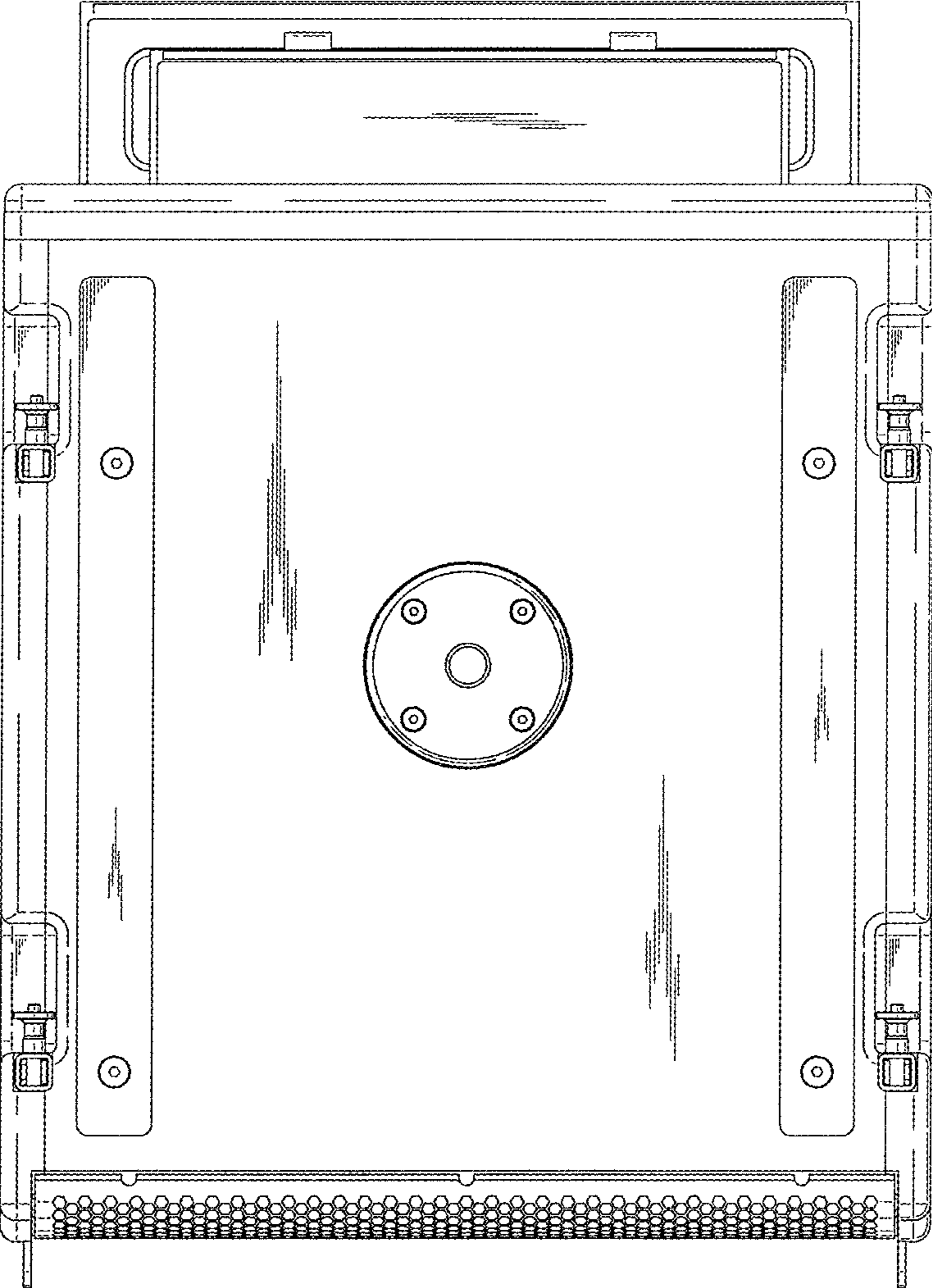


Fig. 6

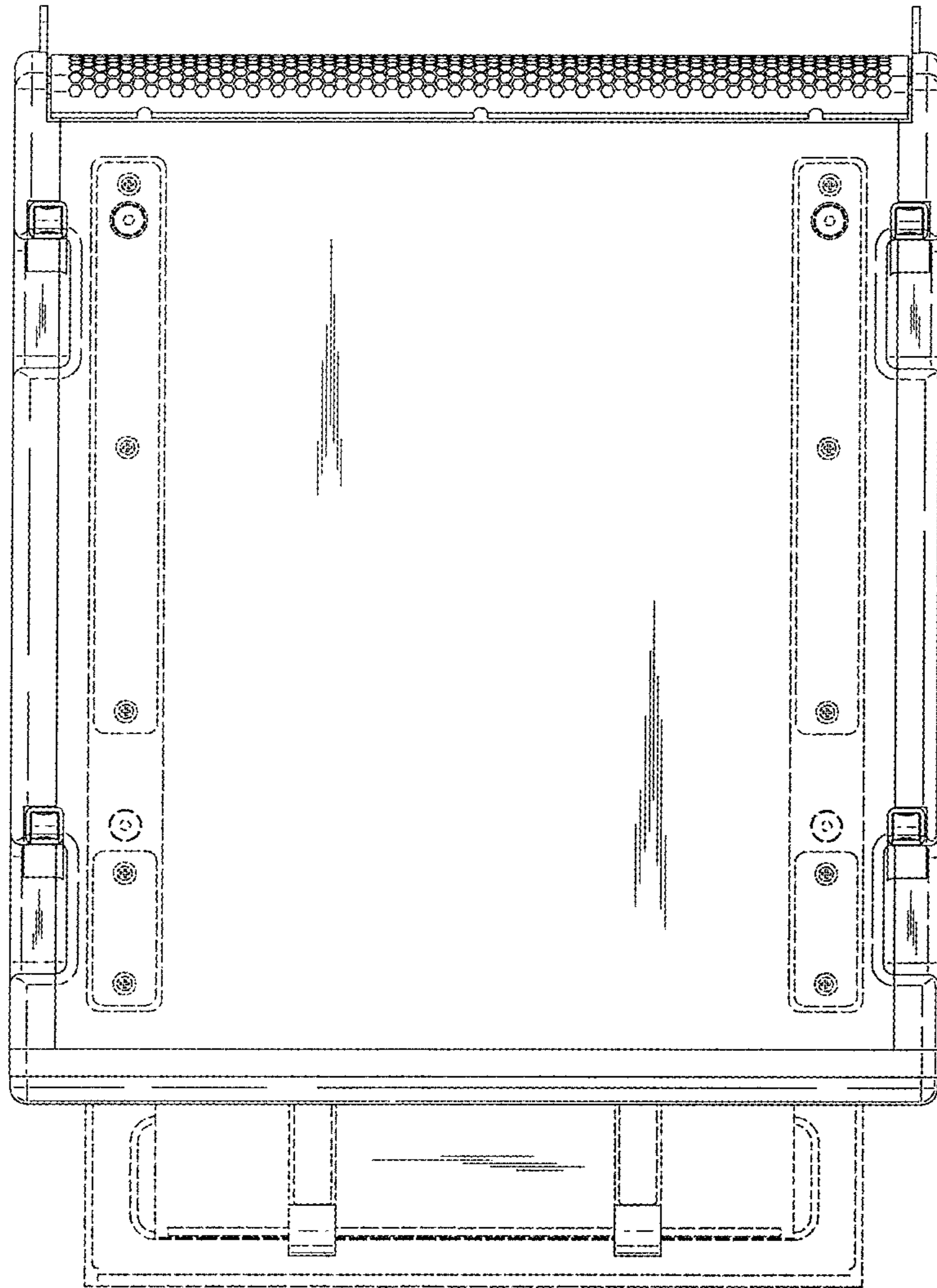


Fig. 7