

US00D754627S

(12) **United States Design Patent**  
**Fustino**

(10) **Patent No.:** **US D754,627 S**

(45) **Date of Patent:** **\*\* Apr. 26, 2016**

(54) **CONTROL CONSOLE**

(71) Applicant: **Bose Corporation**, Framingham, MA  
(US)

(72) Inventor: **David J. Fustino**, Charlestown, MA  
(US)

(73) Assignee: **Bose Corporation**, Framingham, MA  
(US)

(\*\*) Term: **14 Years**

(21) Appl. No.: **29/504,049**

(22) Filed: **Oct. 1, 2014**

(51) **LOC (10) Cl.** ..... **14-03**

(52) **U.S. Cl.**  
USPC ..... **D14/188**; D14/496

(58) **Field of Classification Search**  
USPC ..... D14/363–368, 125, 496, 498–511,  
D14/168–171, 188–198; 455/90.1–90.3,  
455/344–355; 720/600–601, 612, 619, 655  
CPC ..... G11B 25/00; G11B 25/02; G11B 25/043;  
G11B 17/053; G11B 17/056

See application file for complete search history.

(56) **References Cited**

U.S. PATENT DOCUMENTS

D557,680 S *	12/2007	Corsini	.....	D14/168
D558,786 S *	1/2008	Green	.....	D14/188
D595,735 S	7/2009	Green		
D608,310 S *	1/2010	Cho	.....	D14/125
D644,247 S *	8/2011	Kim	.....	D14/496
D647,922 S *	11/2011	Cho	.....	D14/500
D654,507 S *	2/2012	Yagi	.....	D14/502
D655,271 S *	3/2012	Park	.....	D14/188
D683,765 S *	6/2013	Ahn	.....	D14/496

\* cited by examiner

*Primary Examiner* — Sandra Morris

(74) *Attorney, Agent, or Firm* — Bose Corporation

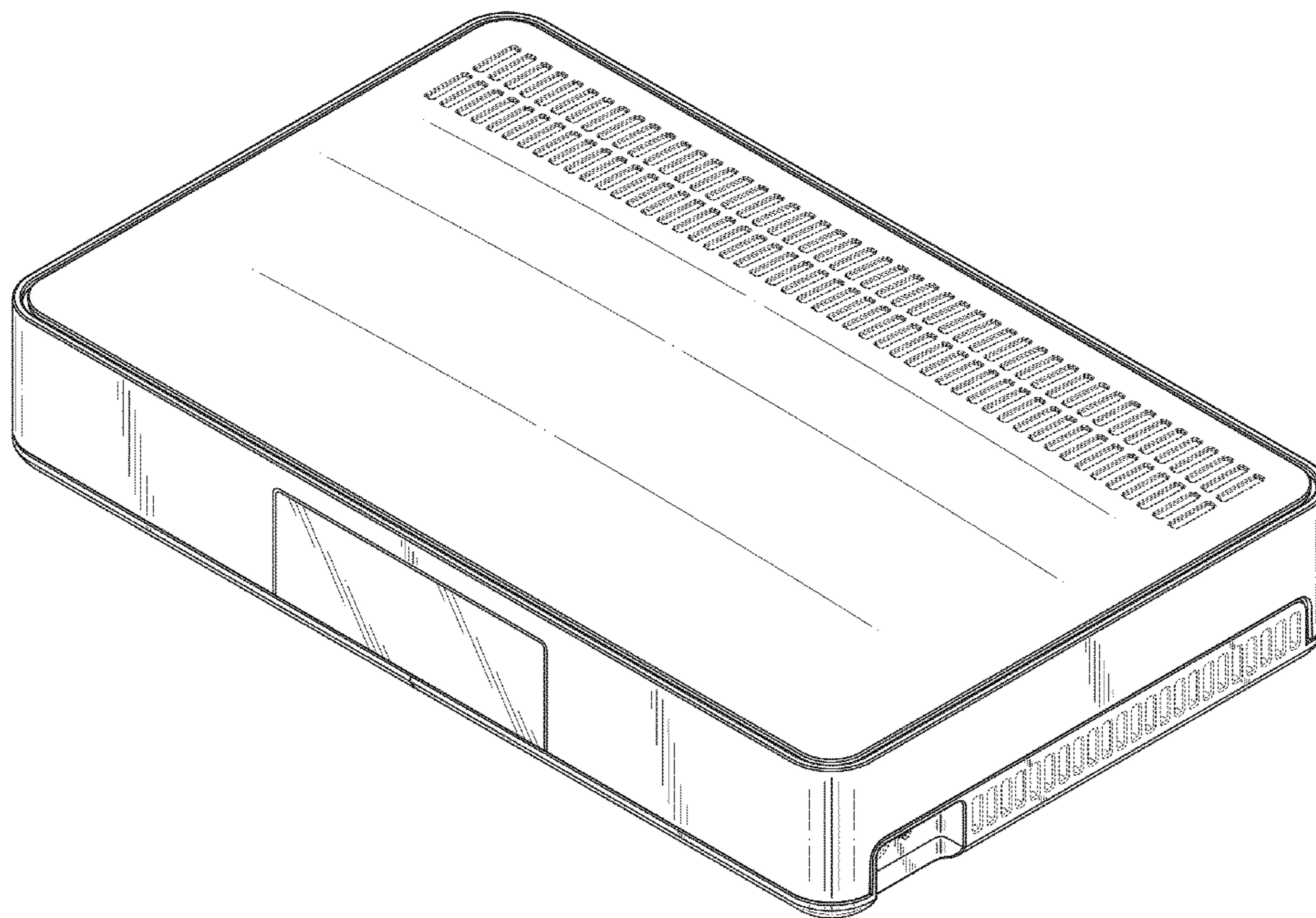
(57) **CLAIM**

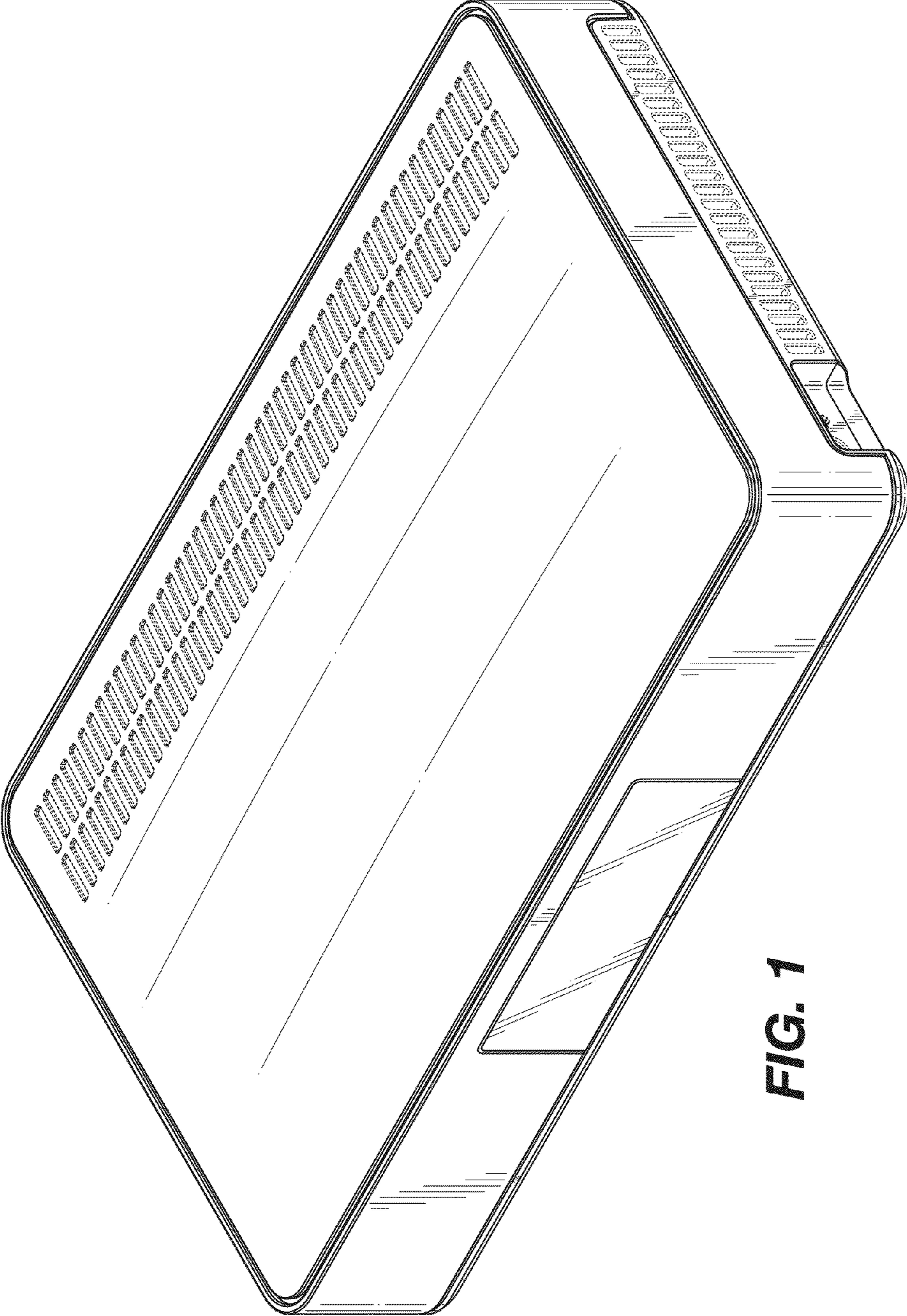
The ornamental design for a control console, substantially as shown and described.

**DESCRIPTION**

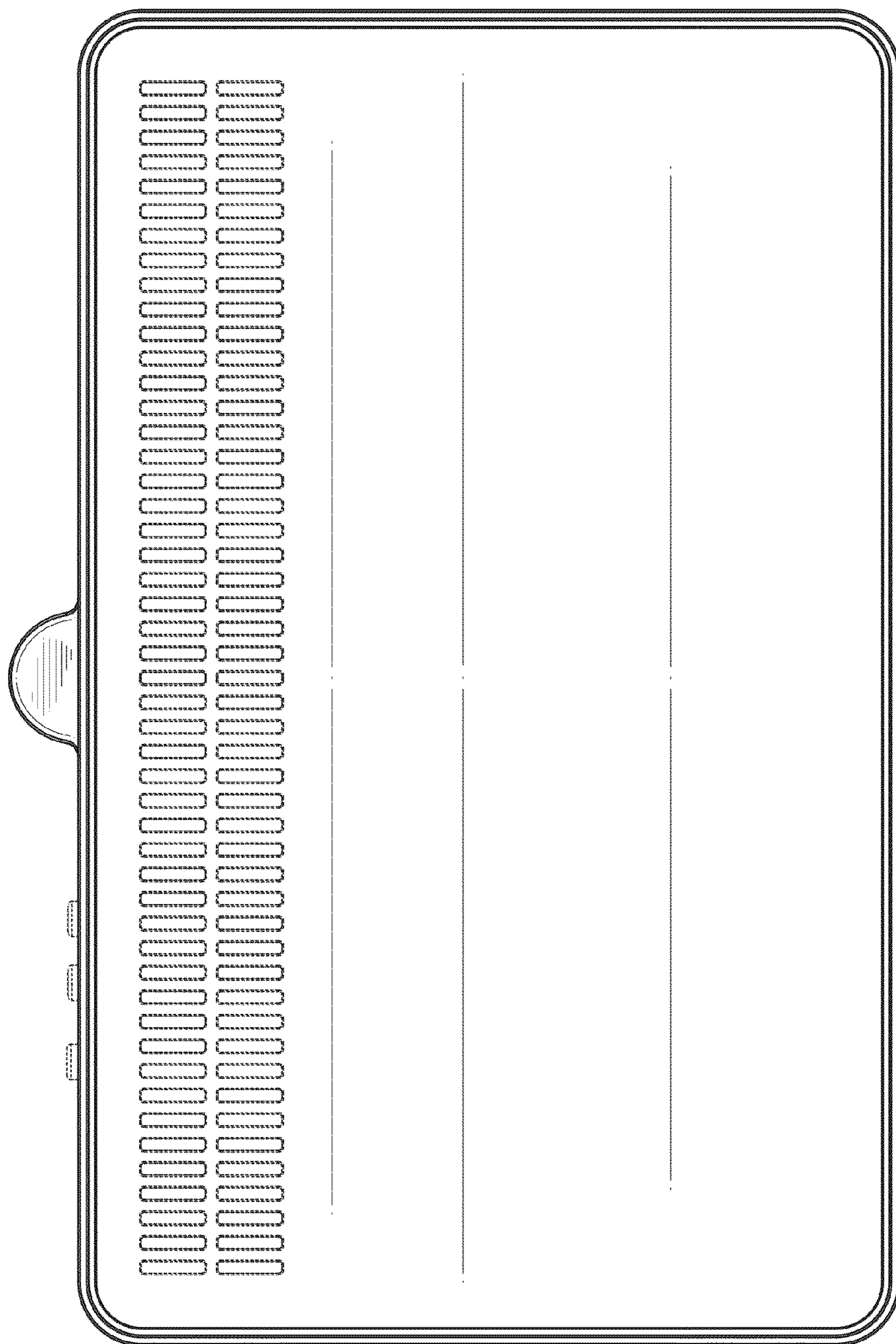
FIG. 1 is a perspective view of a control console as seen from the front, top and side;  
FIG. 2 is a top view thereof;  
FIG. 3 is a front view thereof;  
FIG. 4 is a back view thereof;  
FIG. 5 is a bottom view thereof;  
FIG. 6 is an opposite side view thereof; and,  
FIG. 7 is a side view thereof.  
The dotted line portions of the drawings represent environmental structure only and form no part of the claimed design.

**1 Claim, 5 Drawing Sheets**

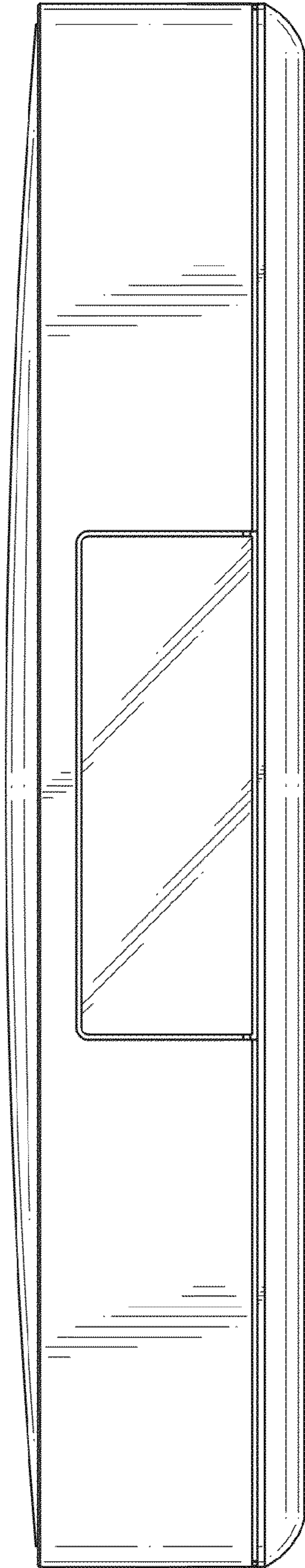




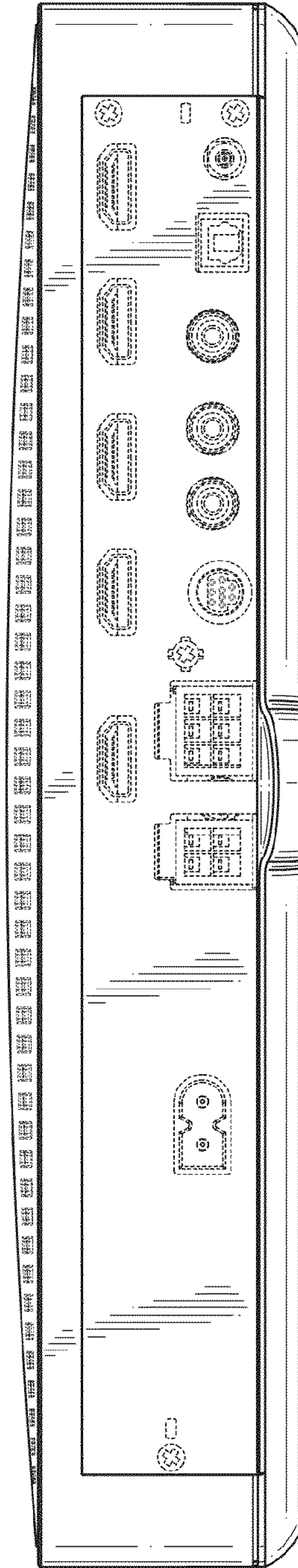
**FIG. 1**



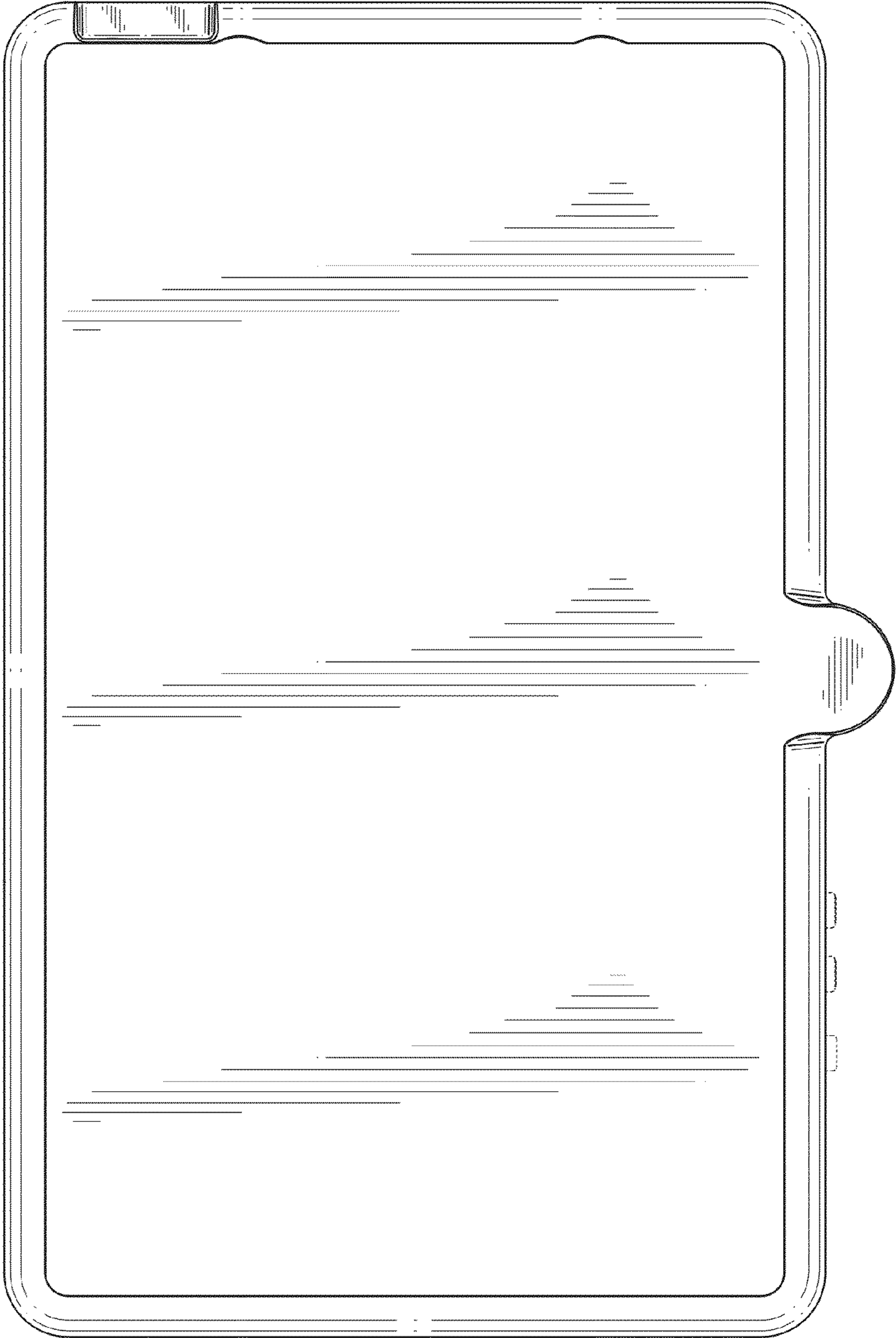
**FIG. 2**



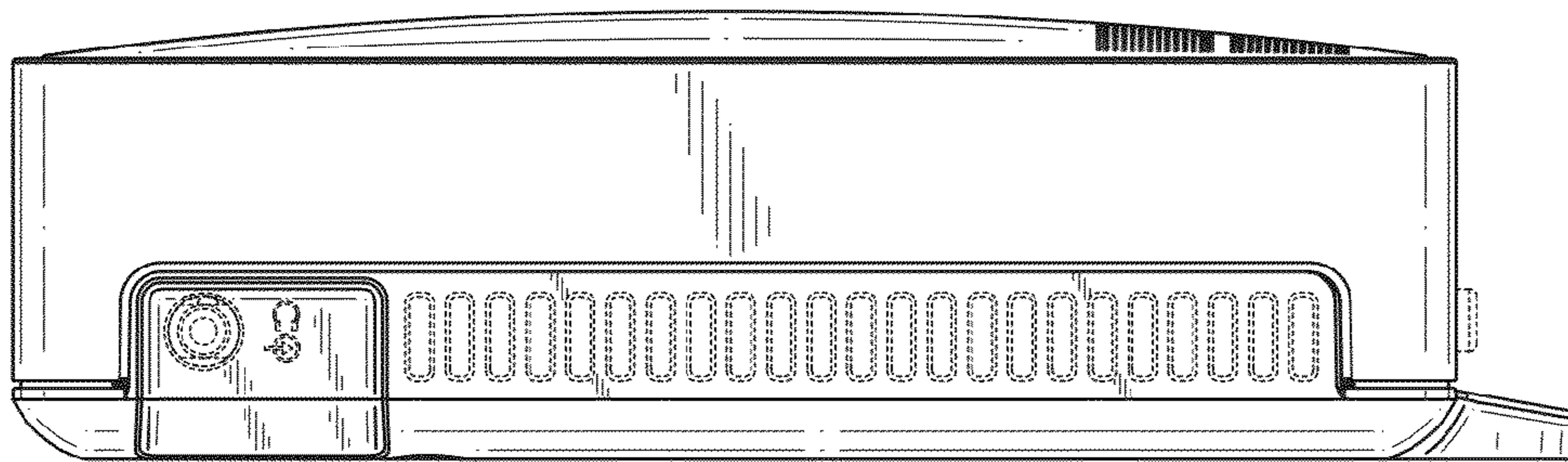
**FIG. 3**



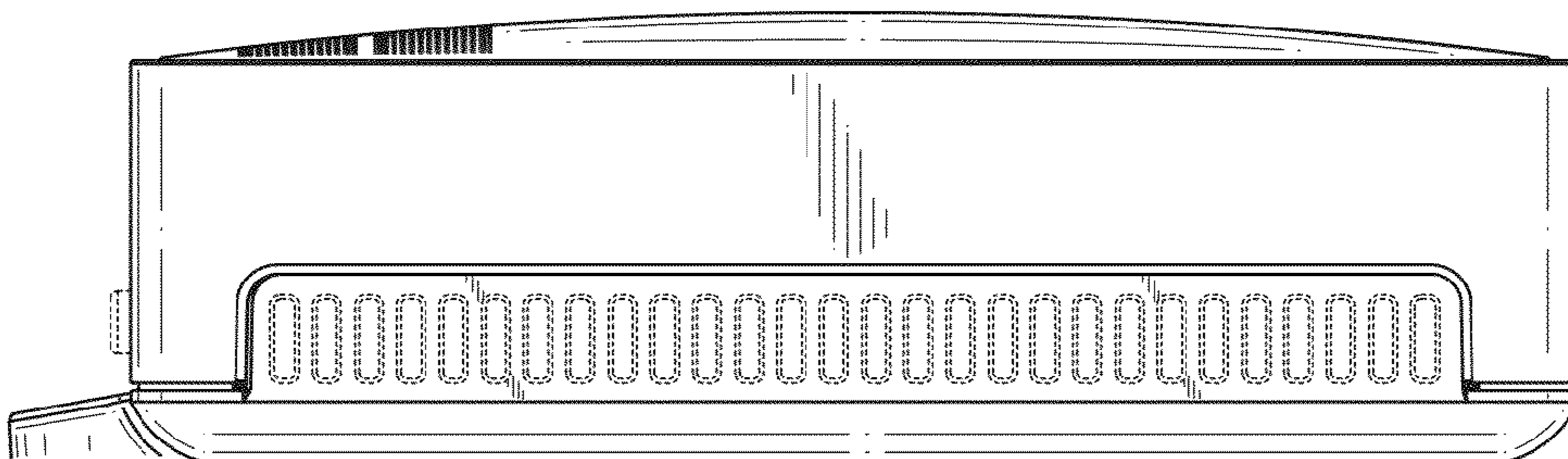
**FIG. 4**



**FIG. 5**



**FIG. 6**



**FIG. 7**