



US00D754626S

(12) **United States Design Patent**
Evans et al.

(10) **Patent No.:** **US D754,626 S**
(45) **Date of Patent:** **** Apr. 26, 2016**

(54) **PORTABLE WELDING SYSTEM**

(71) Applicant: **ESAB AB**, Gothenburg (SE)

(72) Inventors: **Daryll Scott Evans**, Winchester, VA (US); **Mark Lowther**, Warrington (GB); **Cristiano Magalhães Campos Ferreira**, Belo Horizonte (BR)

(73) Assignee: **The ESAB Group, Inc.**, Florence, SC (US)

(**) Term: **14 Years**

(21) Appl. No.: **29/508,556**

(22) Filed: **Nov. 7, 2014**

(51) **LOC (10) Cl.** **15-09**

(52) **U.S. Cl.**
USPC **D14/144**

(58) **Field of Classification Search**
USPC D8/29.1, 30; D15/144, 144.1, 144.2
See application file for complete search history.

D569,884 S * 5/2008 Shu D15/144
D621,430 S * 8/2010 Christen D15/144
D623,205 S * 9/2010 Flattinger D15/144
D626,576 S * 11/2010 Gramatyka D15/144
D629,028 S * 12/2010 Johnson D15/144
D642,604 S * 8/2011 Rohrer D15/144
D652,436 S * 1/2012 Ostlund D15/144
D654,519 S * 2/2012 Wujczak D15/144
D654,521 S * 2/2012 Flubacher D15/144
D665,434 S * 8/2012 Mueller D15/144
D665,833 S * 8/2012 Raymond D15/144
D679,738 S * 4/2013 Segala D15/144
2004/0182845 A1 * 9/2004 Crisler, III B23K 9/1006
219/130.1
2009/0277882 A1 * 11/2009 Bornemann B23K 10/00
219/121.39
2014/0238965 A1 * 8/2014 Spisic B23K 9/1087
219/132

* cited by examiner

Primary Examiner — Patricia Palasik
(74) *Attorney, Agent, or Firm* — Kacvinsky Daisak Bluni PLLC

(57) **CLAIM**
The ornamental design for a portable welding system, substantially as shown and described.

DESCRIPTION

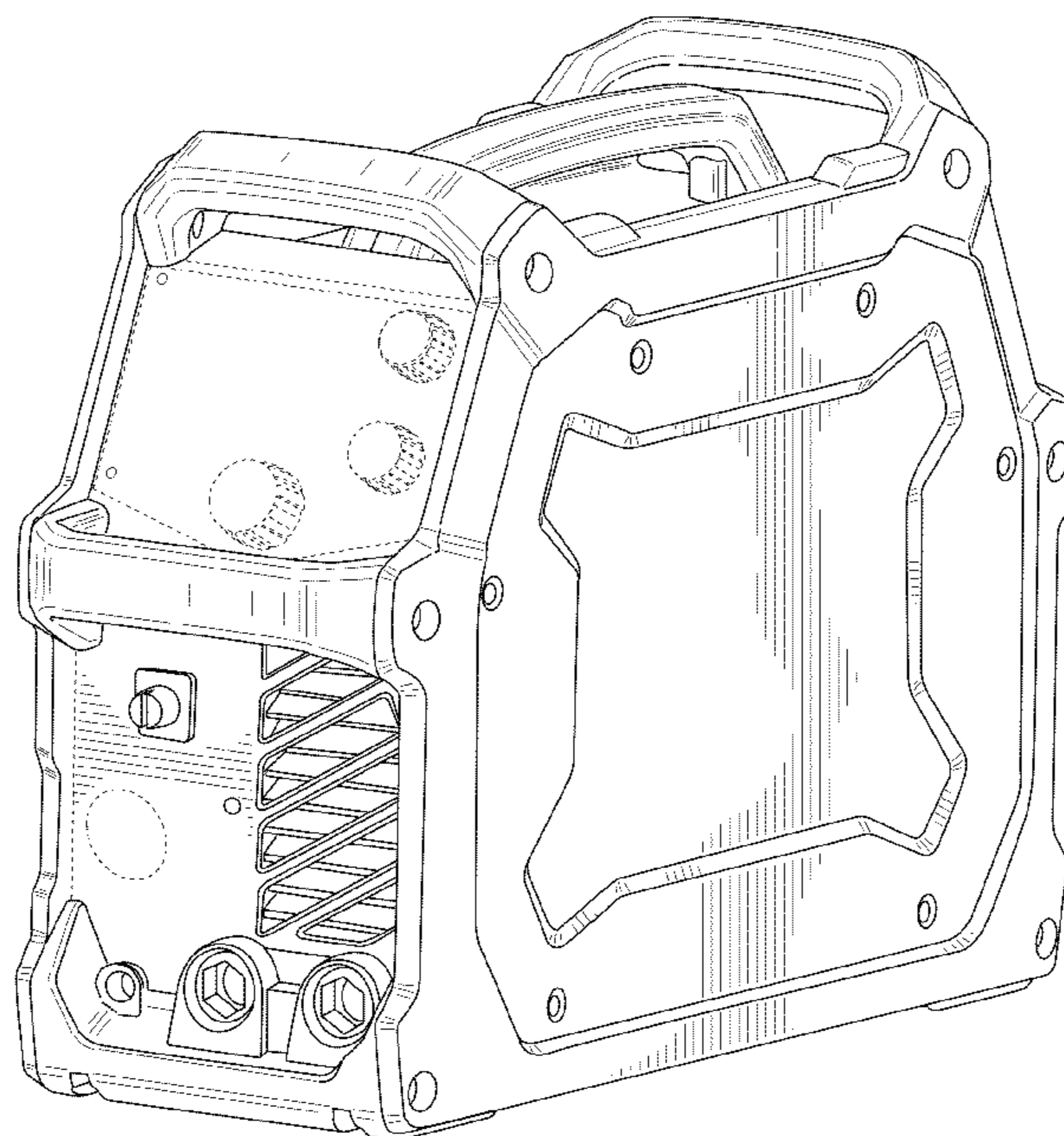
FIG. 1 is an isometric view of our new design; FIG. 2 is a first side view of the design of FIG. 1; FIG. 3 is a second side view of the design of FIG. 1; FIG. 4 is a top view of the design of FIG. 1; FIG. 5 is a bottom view of the design of FIG. 1; FIG. 6 is a front end view of the design of FIG. 1; and, FIG. 7 is a rear end view of the design of FIG. 1. The broken lines illustrate the environmental structure and form no part of the claimed design.

1 Claim, 7 Drawing Sheets

(56) **References Cited**

U.S. PATENT DOCUMENTS

D275,292 S * 8/1984 Bouman D15/144
D275,293 S * 8/1984 Bouman D15/144
D280,329 S * 8/1985 Bouman D15/144
D357,263 S * 4/1995 Soderholm D15/144.2
D357,927 S * 5/1995 Soderholm D15/144.1
D454,578 S * 3/2002 Armbruster D15/144
D467,257 S * 12/2002 Andersson D15/144
D489,741 S * 5/2004 Calco D15/144
D518,078 S * 3/2006 Persson D15/144.1
D520,038 S * 5/2006 Ljungfeldt D15/144.1
D527,402 S * 8/2006 Loch D15/144.2
D569,883 S * 5/2008 Wang D15/144



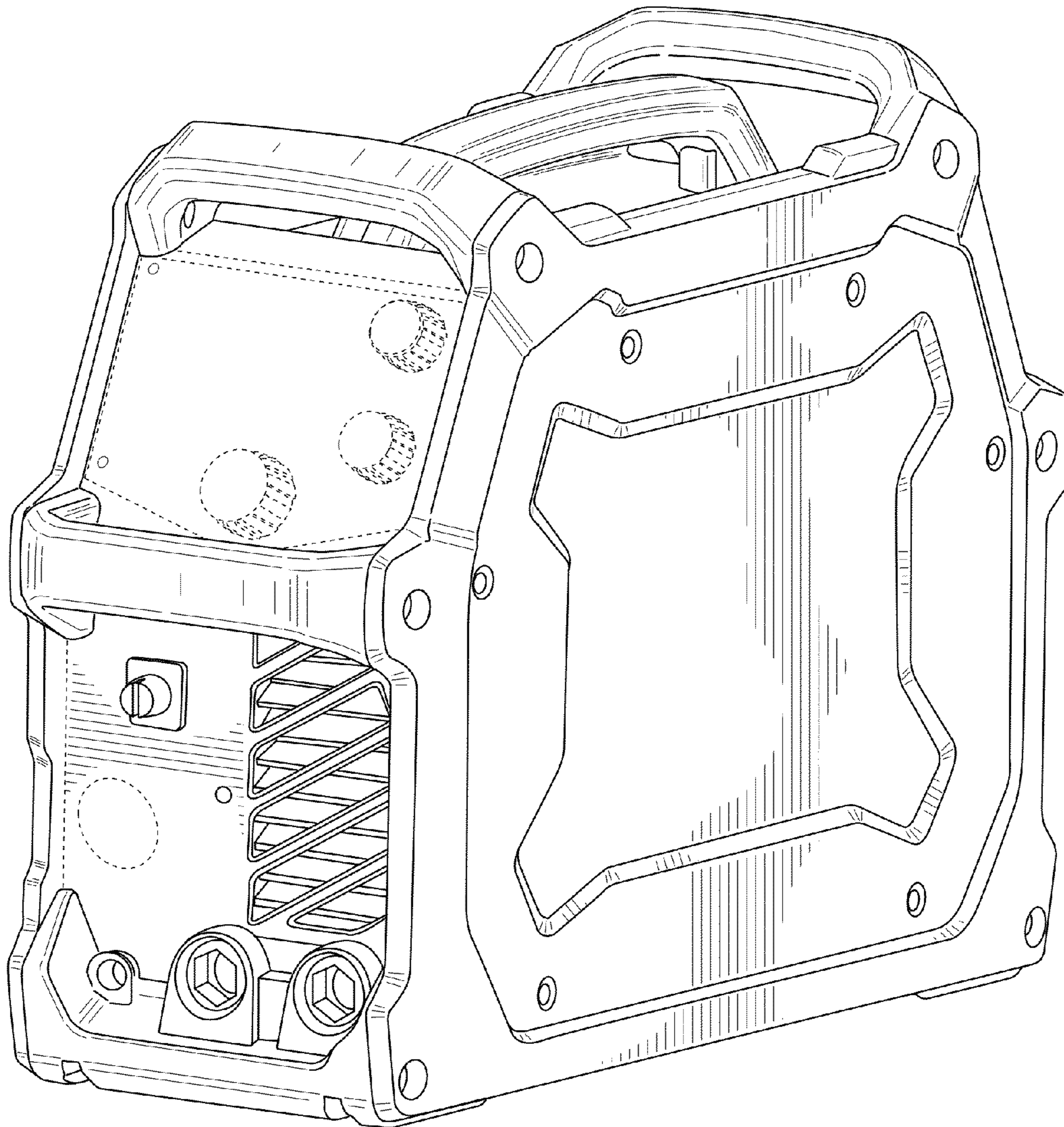


FIG. 1

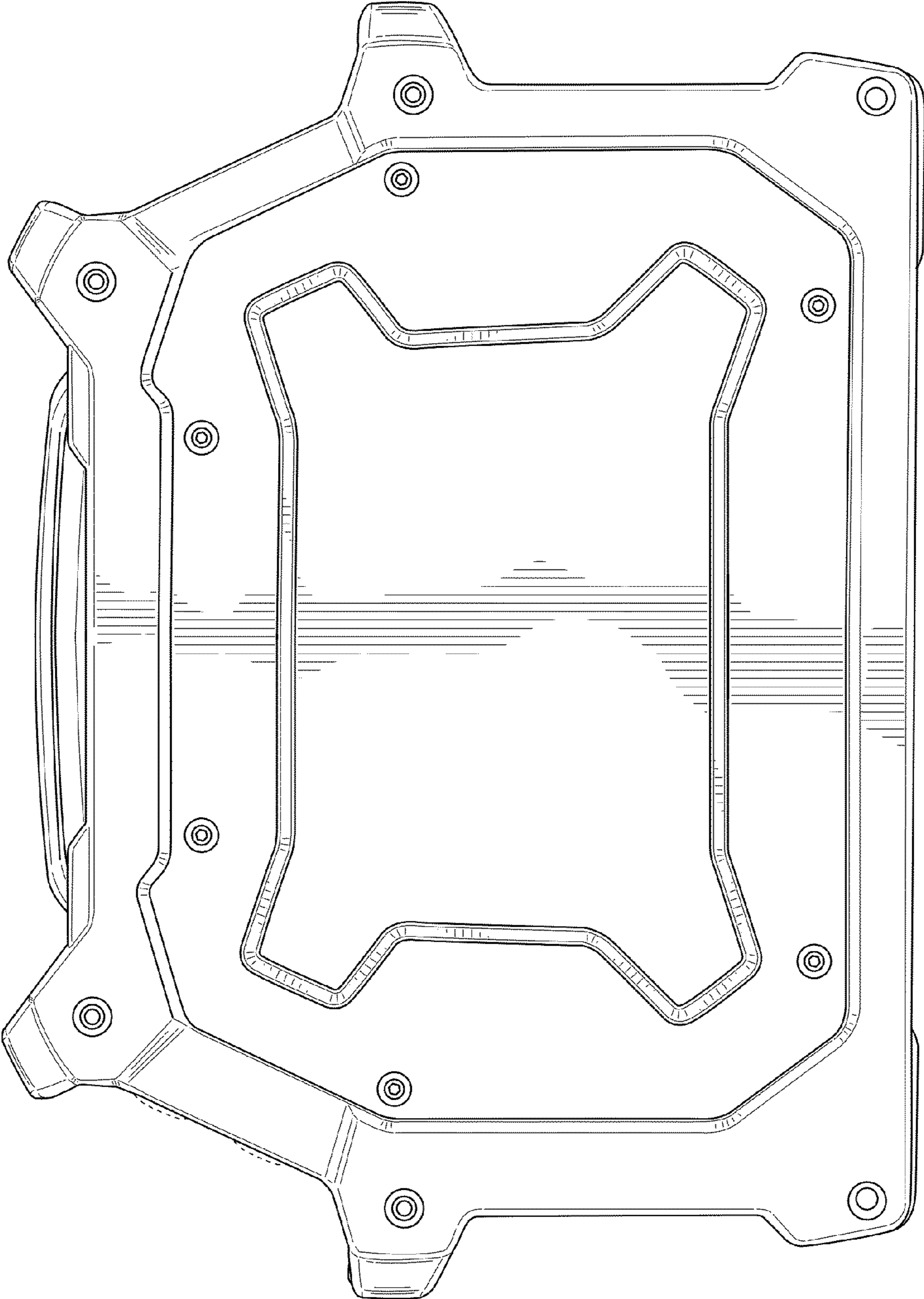


FIG. 2

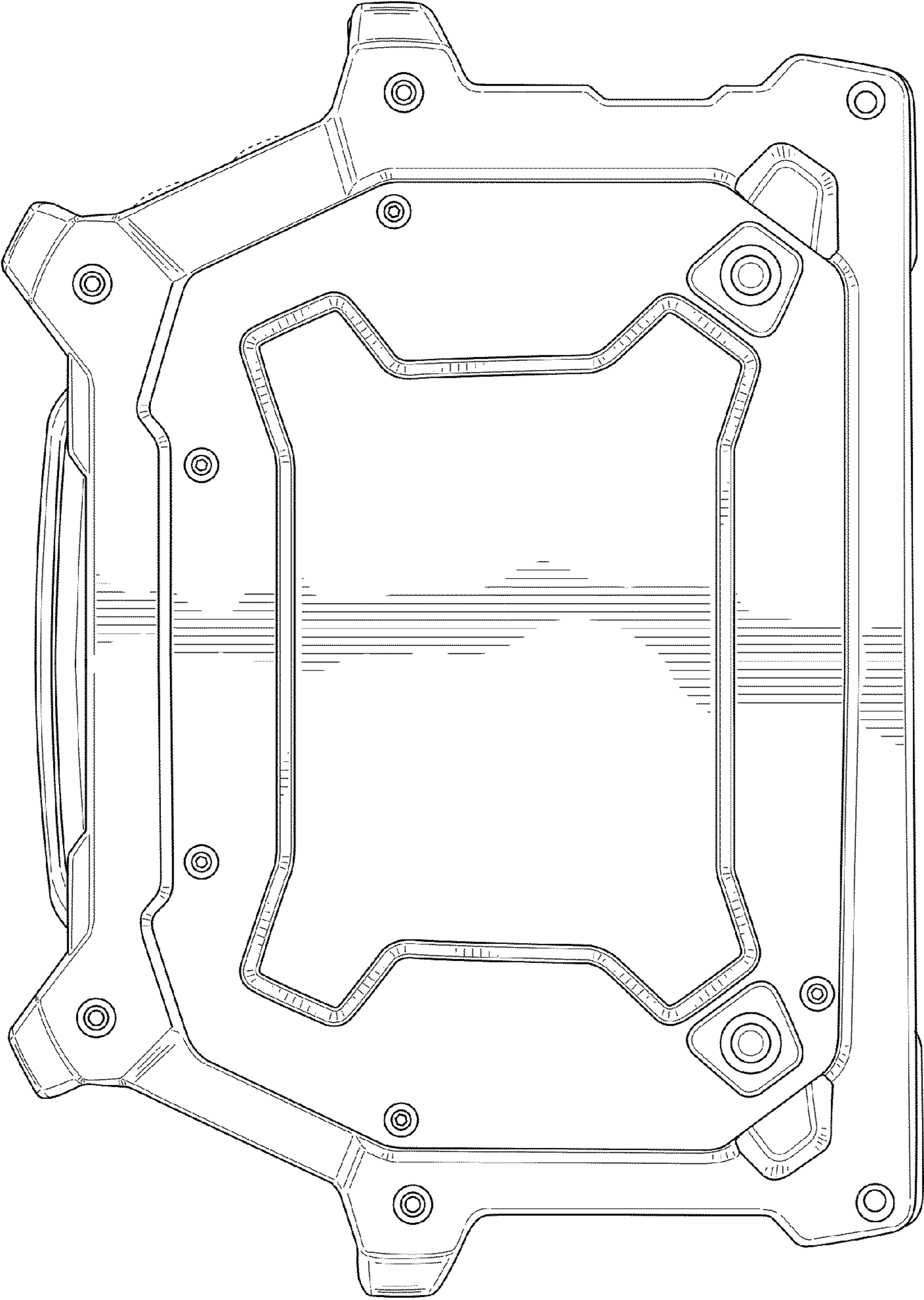


FIG. 3

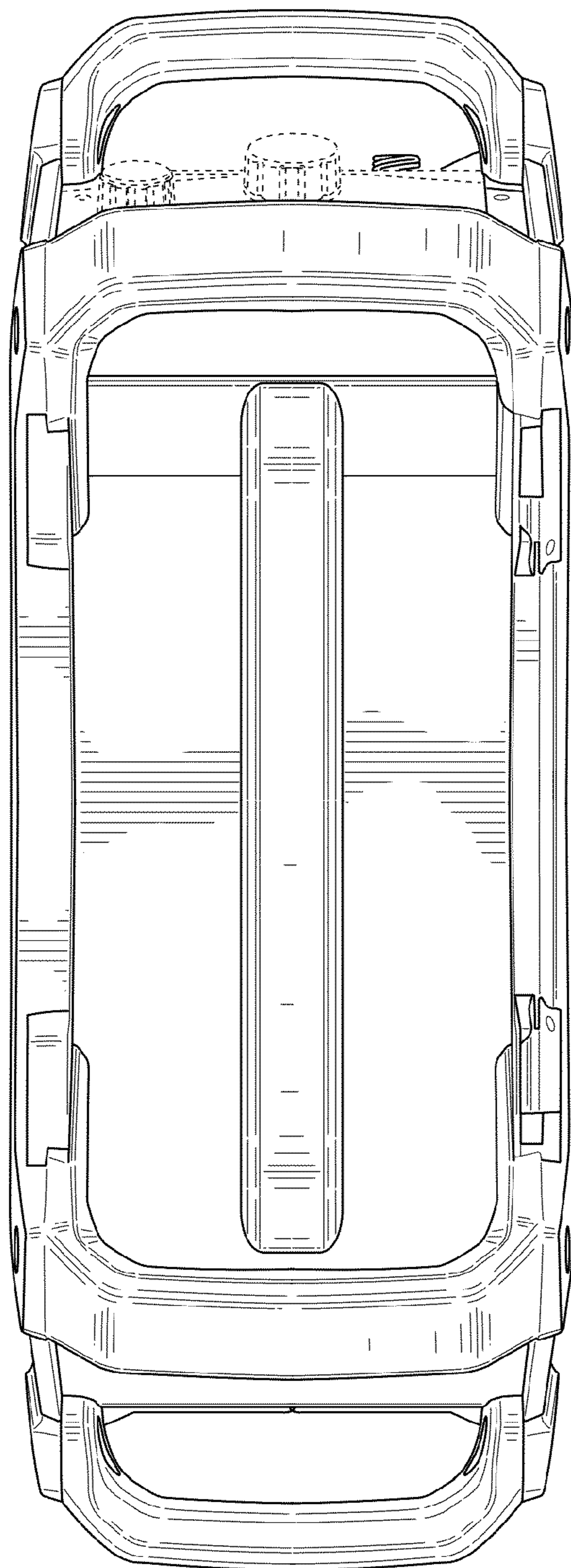


FIG. 4

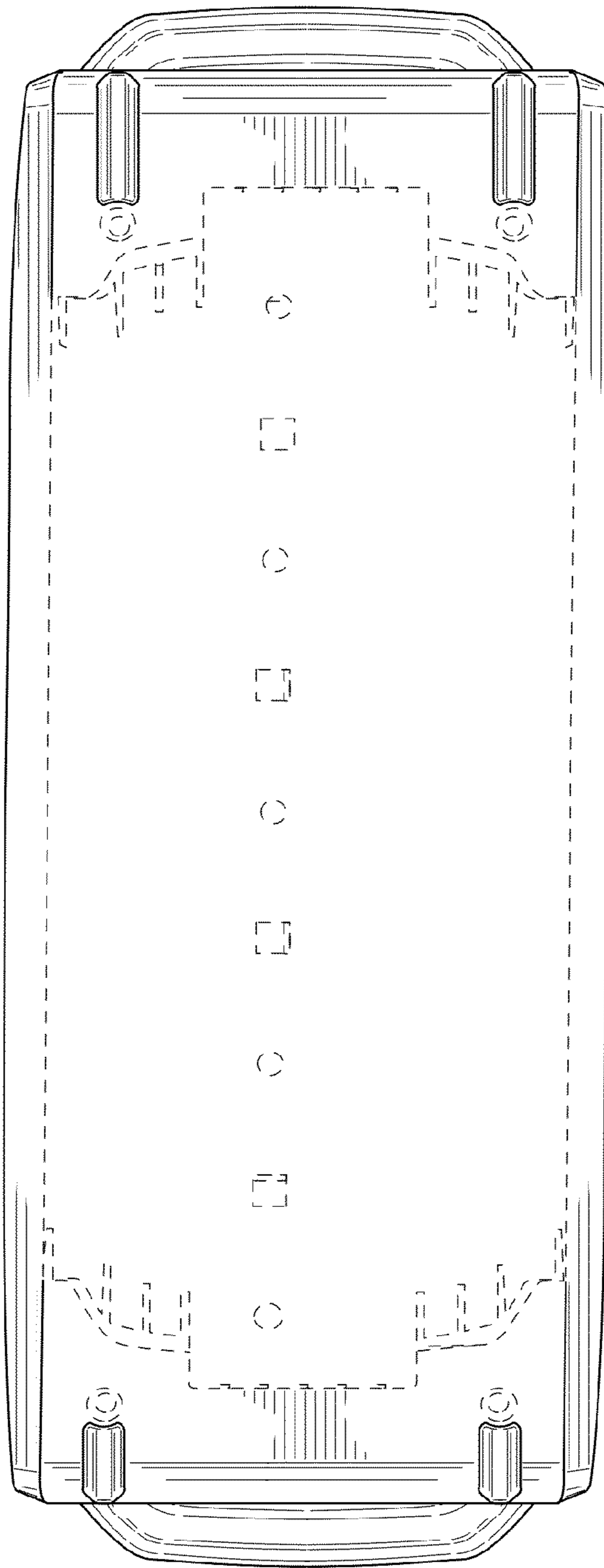


FIG. 5

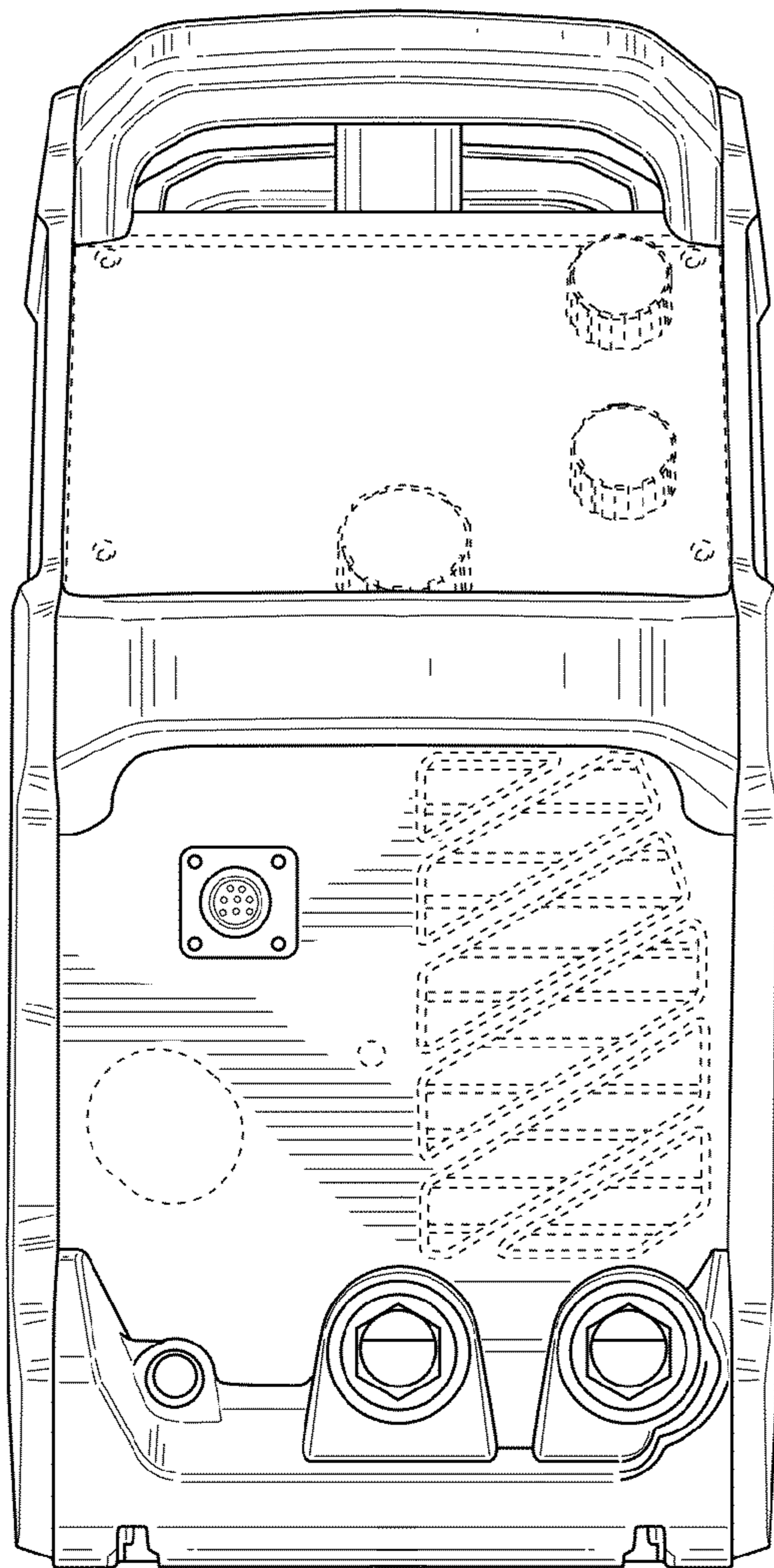


FIG. 6

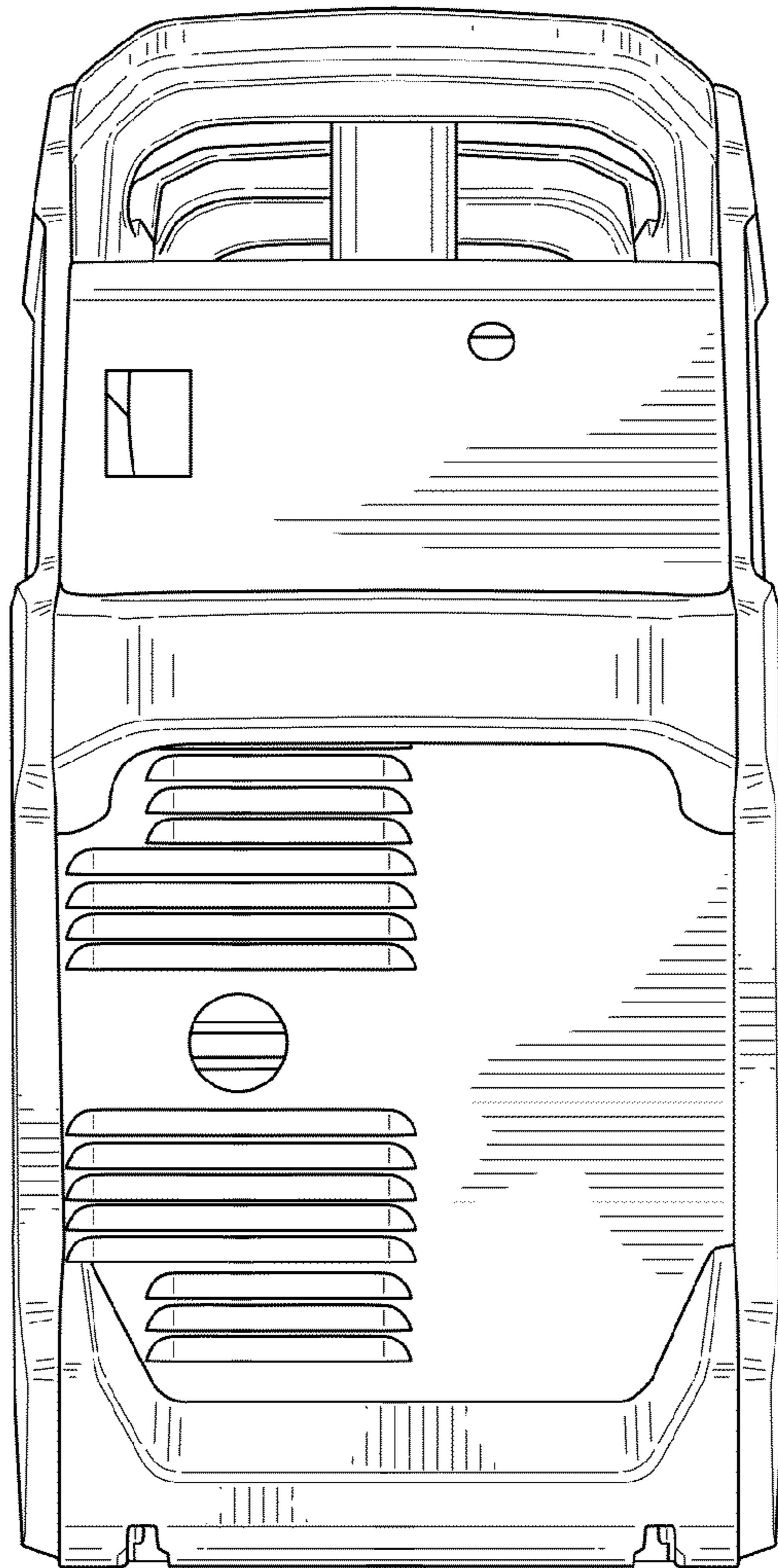


FIG. 7