



US00D754623S

(12) **United States Design Patent**  
**Dewaele et al.**

(10) **Patent No.:** **US D754,623 S**  
(45) **Date of Patent:** **\*\* Apr. 26, 2016**

(54) **DISPLAY MODULE**

(71) Applicant: **Barco N.V.**, Kortrijk (BE)

(72) Inventors: **Tom Adriaan Gerard Dewaele**,  
Kapellen (BE); **Sven Alexander Schüle**,  
Weingarten (DE); **Roland Schmuker**,  
Karlsruhe (DE); **Christoph Andreas**  
**Geiger**, Birkenfeld (DE)

(73) Assignee: **BARCO N.V.**, Kortruk (BE)

(\*\*) Term: **14 Years**

(21) Appl. No.: **29/478,185**

(22) Filed: **Jan. 2, 2014**

(30) **Foreign Application Priority Data**

Jul. 2, 2013 (EM) ..... 002266635

(51) **LOC (10) Cl.** ..... **14-03**

(52) **U.S. Cl.**  
USPC ..... **D14/127**

(58) **Field of Classification Search**  
USPC ..... D14/125–134, 140.2; D20/10, 19;  
D6/671, 671.1, 673, 329, 336, 672,  
D6/512; D16/241, 221, 228; 361/728, 724;  
312/7.2, 198; 348/786, 825  
CPC ..... G06F 1/181; G06F 3/1146; G06F 3/1423;  
G06F 3/147; H05K 5/0017  
See application file for complete search history.

(56) **References Cited**

**U.S. PATENT DOCUMENTS**

D225,922 S \* 1/1973 Rosenberg ..... D6/671  
D283,769 S \* 5/1986 Cohn ..... D6/671  
D342,505 S \* 12/1993 Shimatani et al. .... D14/128  
D353,805 S \* 12/1994 Lewis ..... D14/127  
D401,785 S \* 12/1998 DePottay et al. .... D6/680  
D405,768 S \* 2/1999 O’Sullivan et al. .... D6/671  
D438,256 S \* 2/2001 Timmermans et al. .... D20/10

D445,595 S \* 7/2001 Roupe ..... D6/671.1  
D445,598 S \* 7/2001 Petti ..... D6/675.1  
D449,182 S \* 10/2001 Petti ..... D6/675.1  
D459,114 S \* 6/2002 Steffensen ..... D6/675.1  
D473,554 S \* 4/2003 Landerholm et al. .... D14/302  
D477,724 S \* 7/2003 Bishop ..... D6/665

(Continued)

*Primary Examiner* — Eric Goodman

*Assistant Examiner* — Clese Moore, Jr.

(74) *Attorney, Agent, or Firm* — Clark & Elbing LLP

(57) **CLAIM**

The ornamental design for a display module, substantially as shown and described.

**DESCRIPTION**

FIG. 1 is a front view of a display module stand embodying the claimed design.

FIG. 2 is a back view of the display module.

FIG. 3 is a right view of the display module.

FIG. 4 is a left view of the display module.

FIG. 5 is a top view of the display module.

FIG. 6 is a bottom view of the display module.

FIG. 7 is a front view of a display module embodying the claimed design.

FIG. 8 is a back view of the display module.

FIG. 9 is a left view of the display module.

FIG. 10 is a right view of the display module.

FIG. 11 is a top view of the display module.

FIG. 12 is a bottom view of the display module.

FIG. 13 is a front view of a display module embodying the claimed design.

FIG. 14 is a back view of the display module.

FIG. 15 is a left view of the display module.

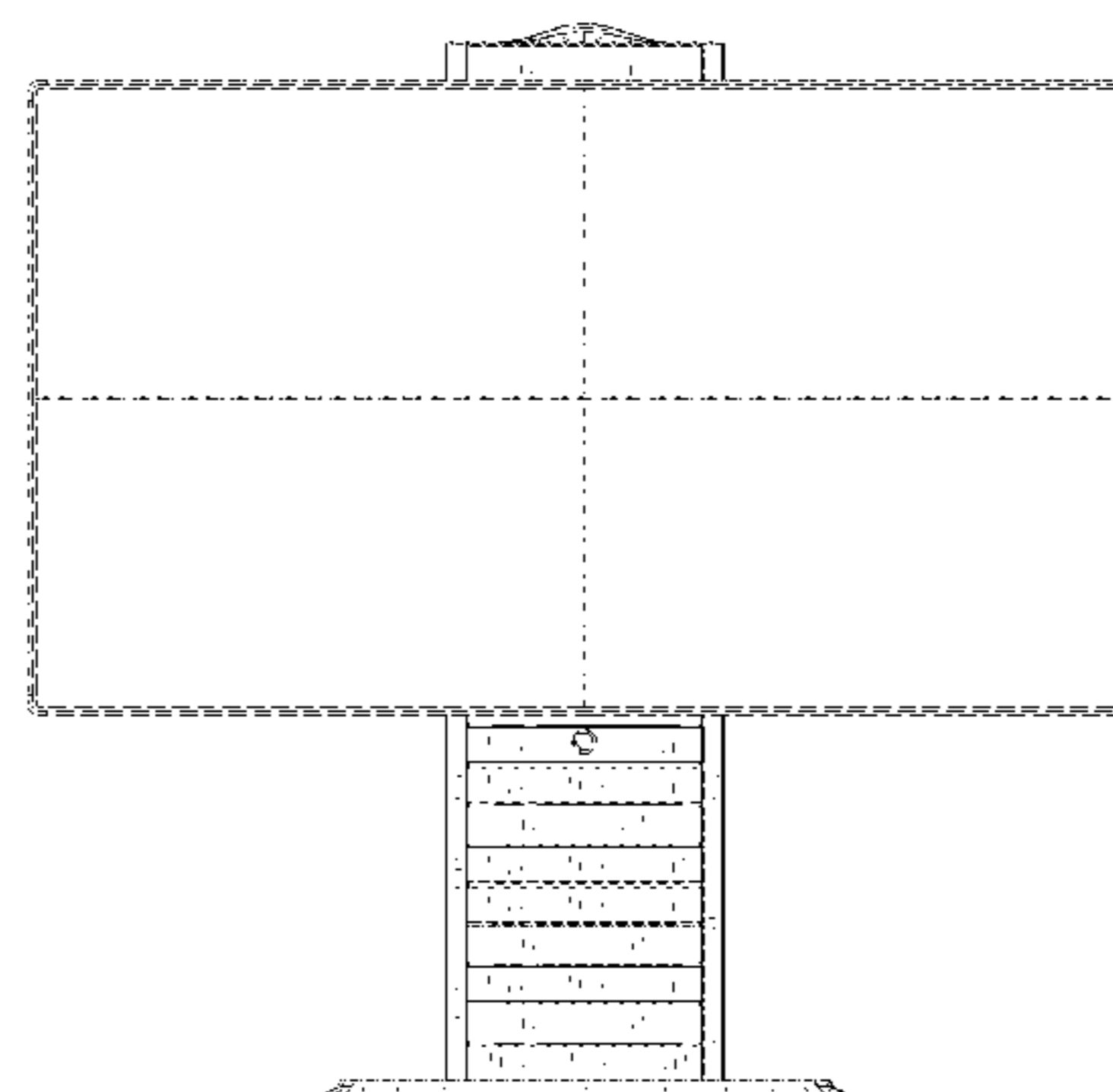
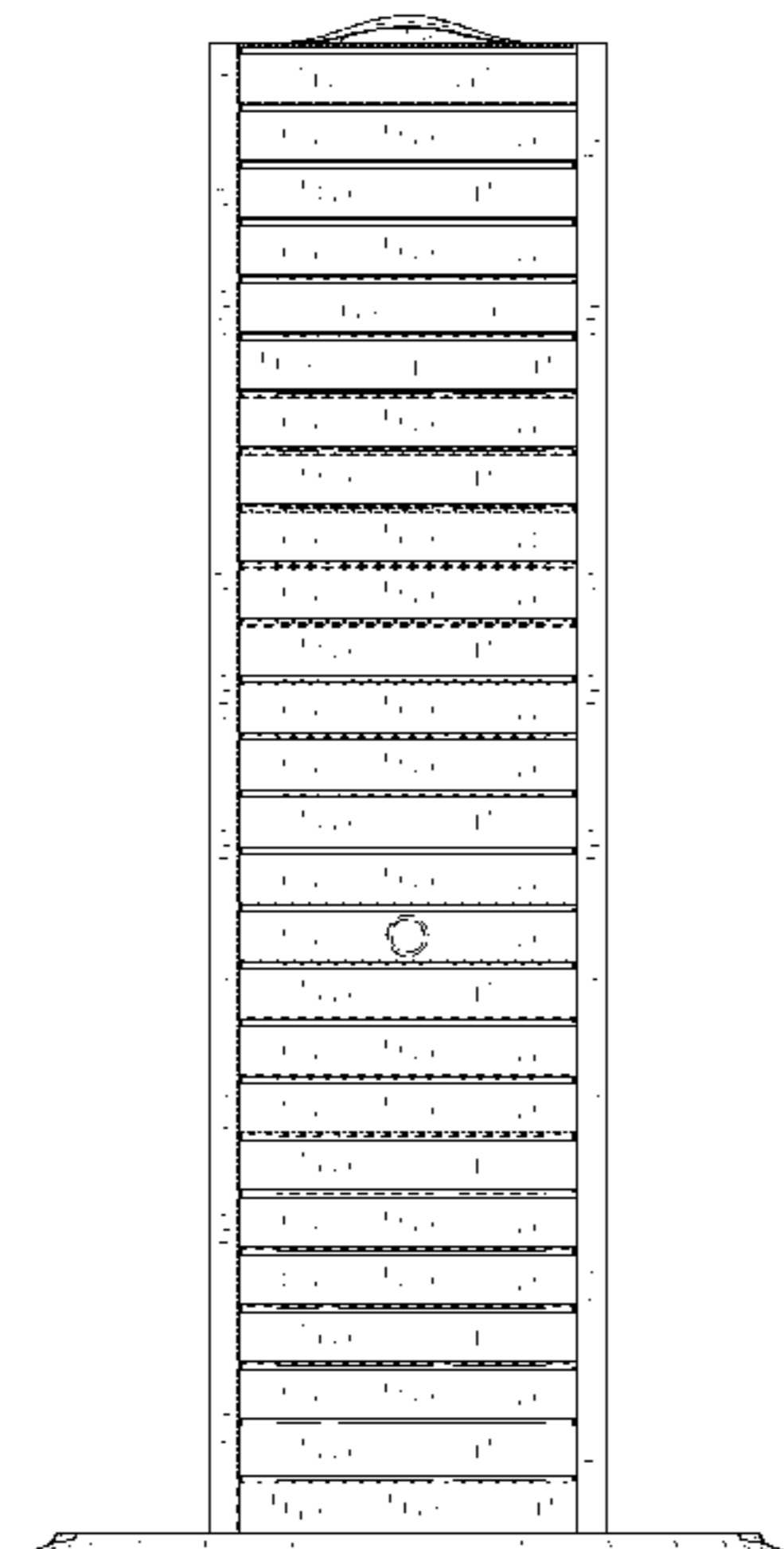
FIG. 16 is a right view of the display module.

FIG. 17 is a top view of the display module; and,

FIG. 18 is a bottom view of the display module.

The portions of the display module shown in broken lines depict environment that form no part of the claimed design.

**1 Claim, 13 Drawing Sheets**



(56)

**References Cited**

U.S. PATENT DOCUMENTS

D478,582 S \* 8/2003 Becker et al. .... D14/302  
6,778,381 B1 \* 8/2004 Bologna et al. .... 361/679.07  
D499,704 S \* 12/2004 Song ..... D14/127  
D510,920 S \* 10/2005 Tandberg et al. .... D14/127  
D542,052 S \* 5/2007 Scholen et al. .... D14/307  
D549,486 S \* 8/2007 Sheppard ..... D6/671.1  
D551,184 S \* 9/2007 Kanou et al. .... D14/126  
D584,075 S \* 1/2009 Hung ..... D14/239

D585,857 S \* 2/2009 Monson et al. .... D14/127  
D615,514 S \* 5/2010 Mellingen et al. .... D14/126  
D616,403 S \* 5/2010 Roed et al. .... D14/127  
D618,644 S \* 6/2010 Graham et al. .... D14/127  
D623,619 S \* 9/2010 Roed et al. .... D14/126  
D627,749 S \* 11/2010 Mitsuhashi ..... D14/126  
D628,968 S \* 12/2010 Desai et al. .... D14/126  
D658,615 S \* 5/2012 Chiu ..... D14/126  
D722,794 S \* 2/2015 Luong ..... D6/673  
2006/0039122 A1 \* 2/2006 Yen ..... 361/724  
2014/0009893 A1 \* 1/2014 Lai ..... 361/728

\* cited by examiner

FIG. 1

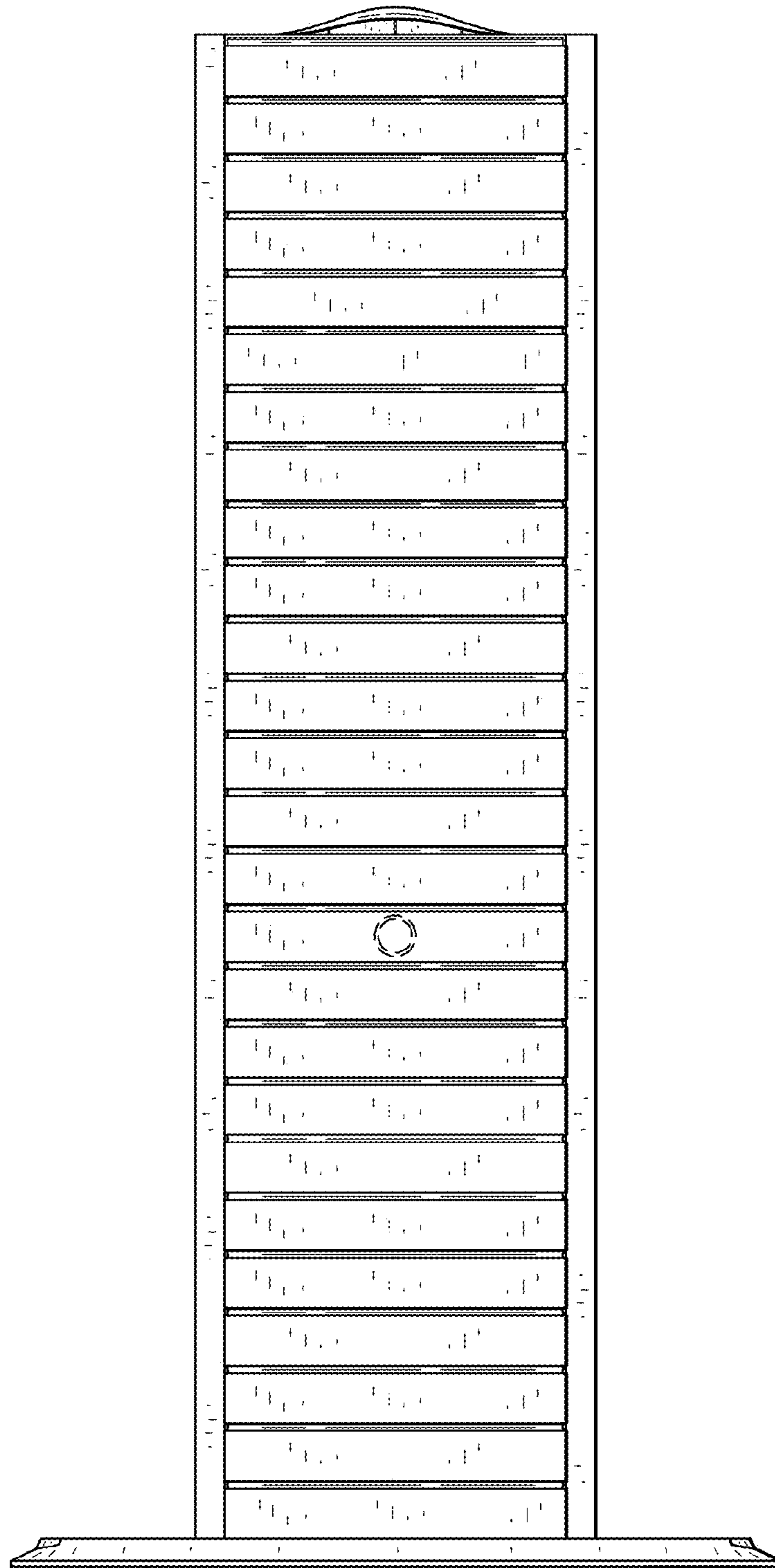


FIG. 2

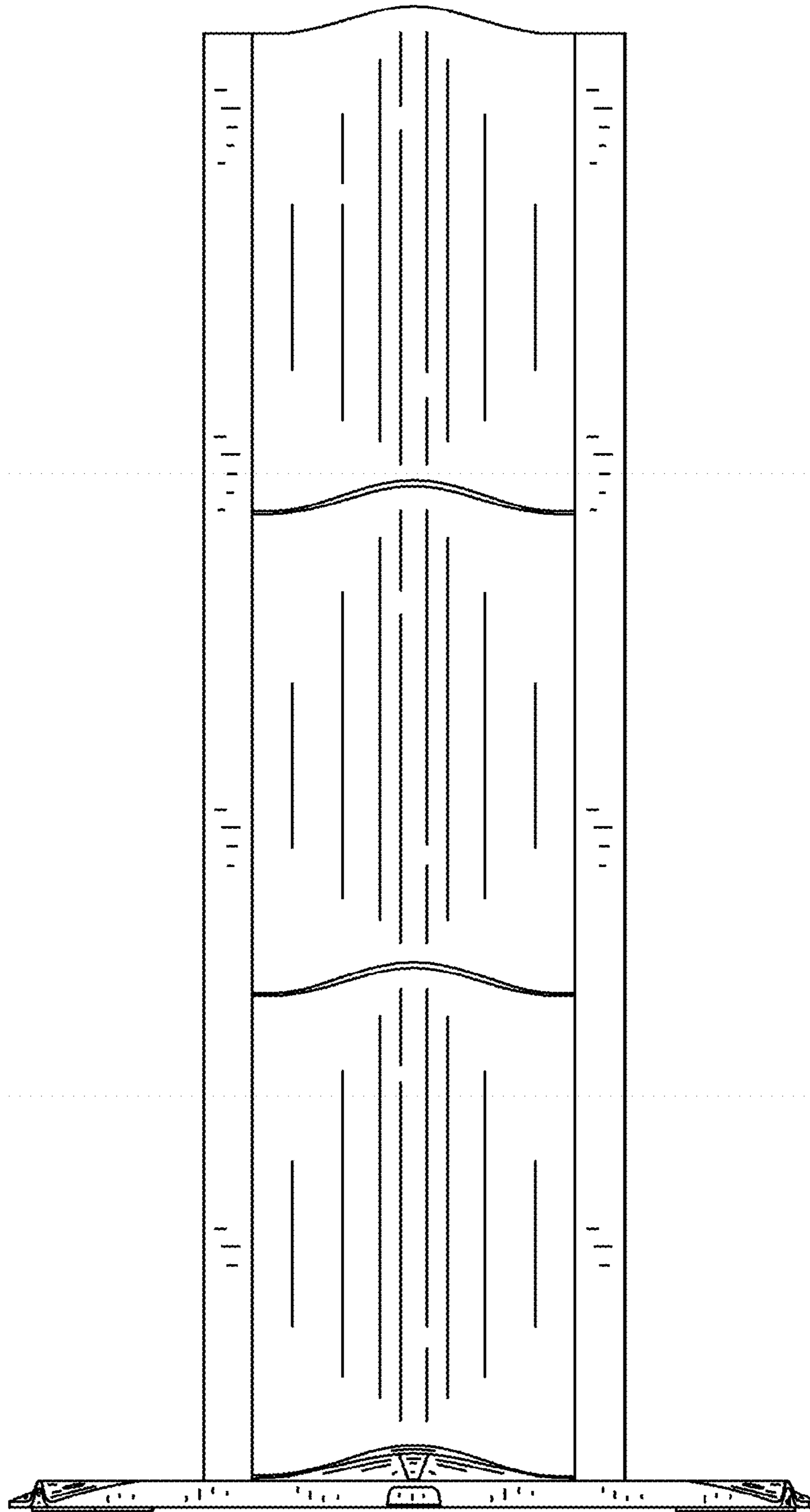


FIG. 3

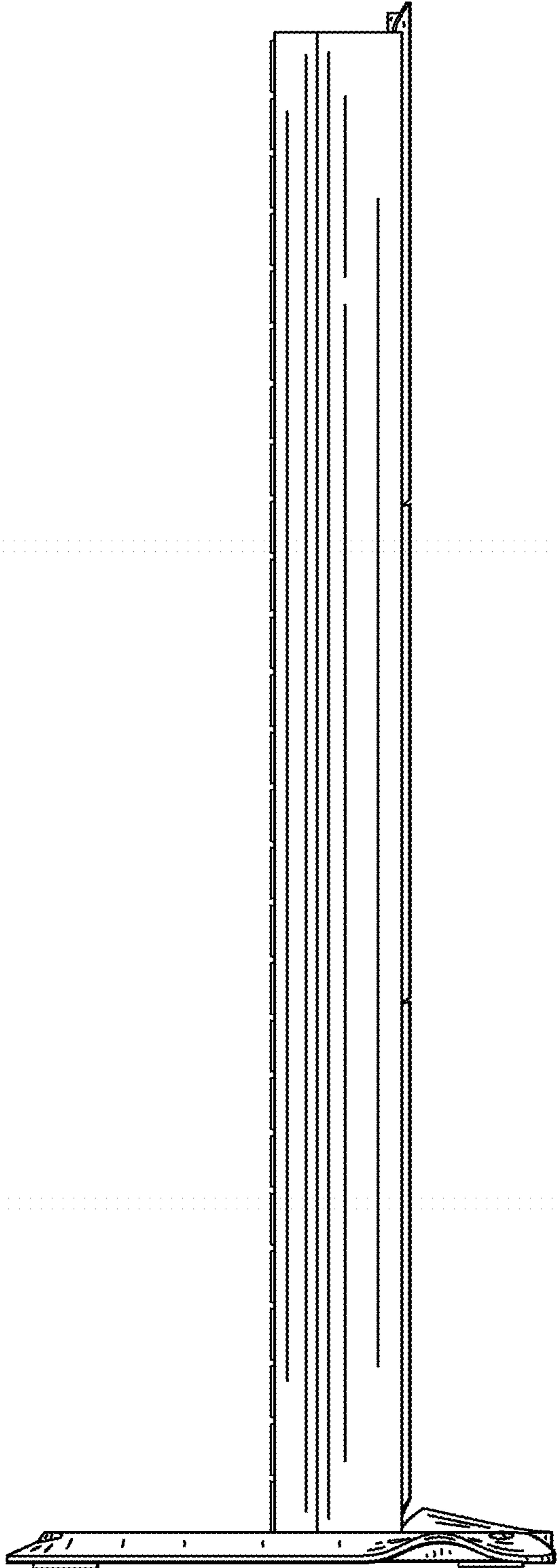


FIG. 4

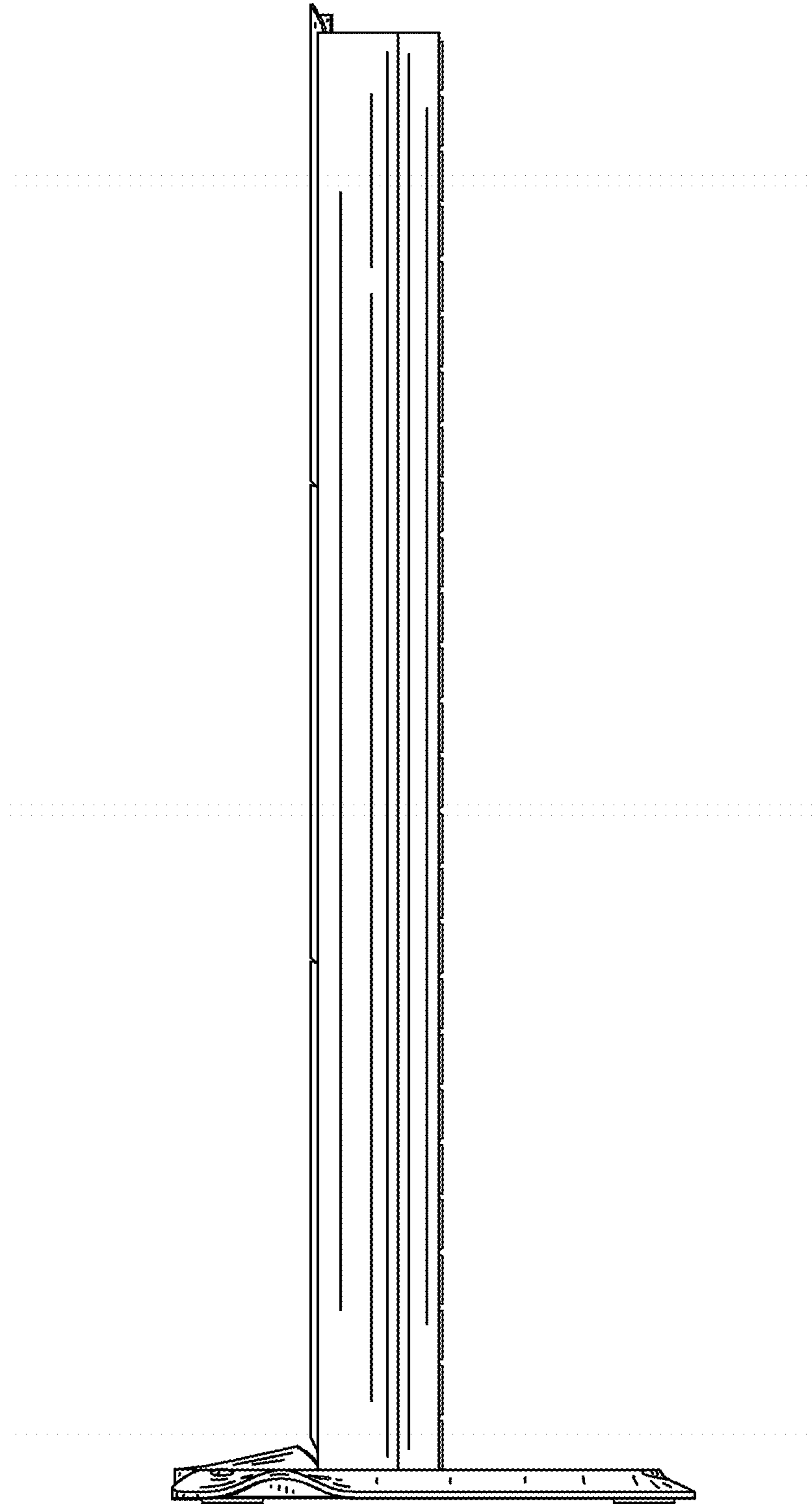


FIG. 5

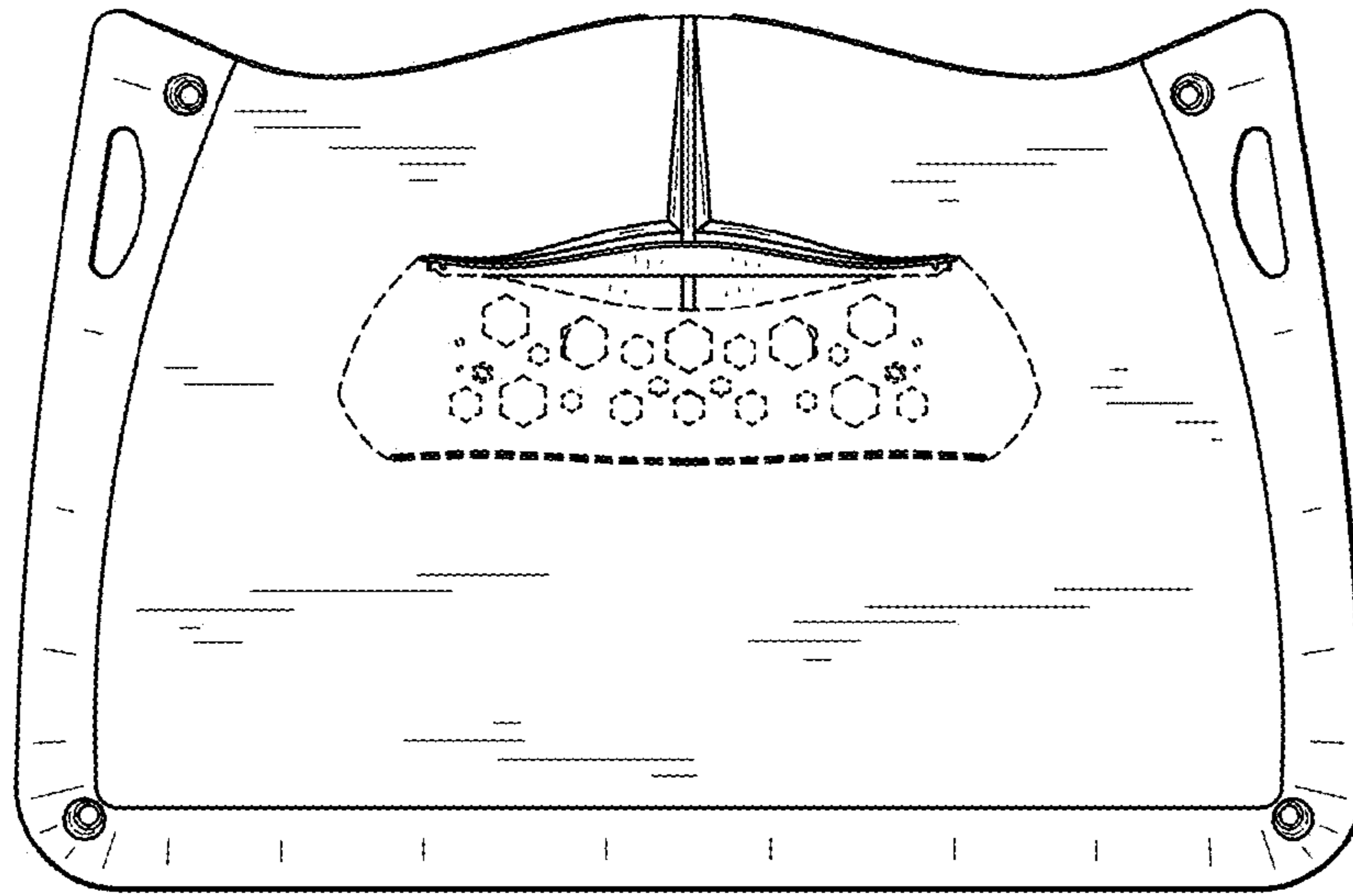


FIG. 6

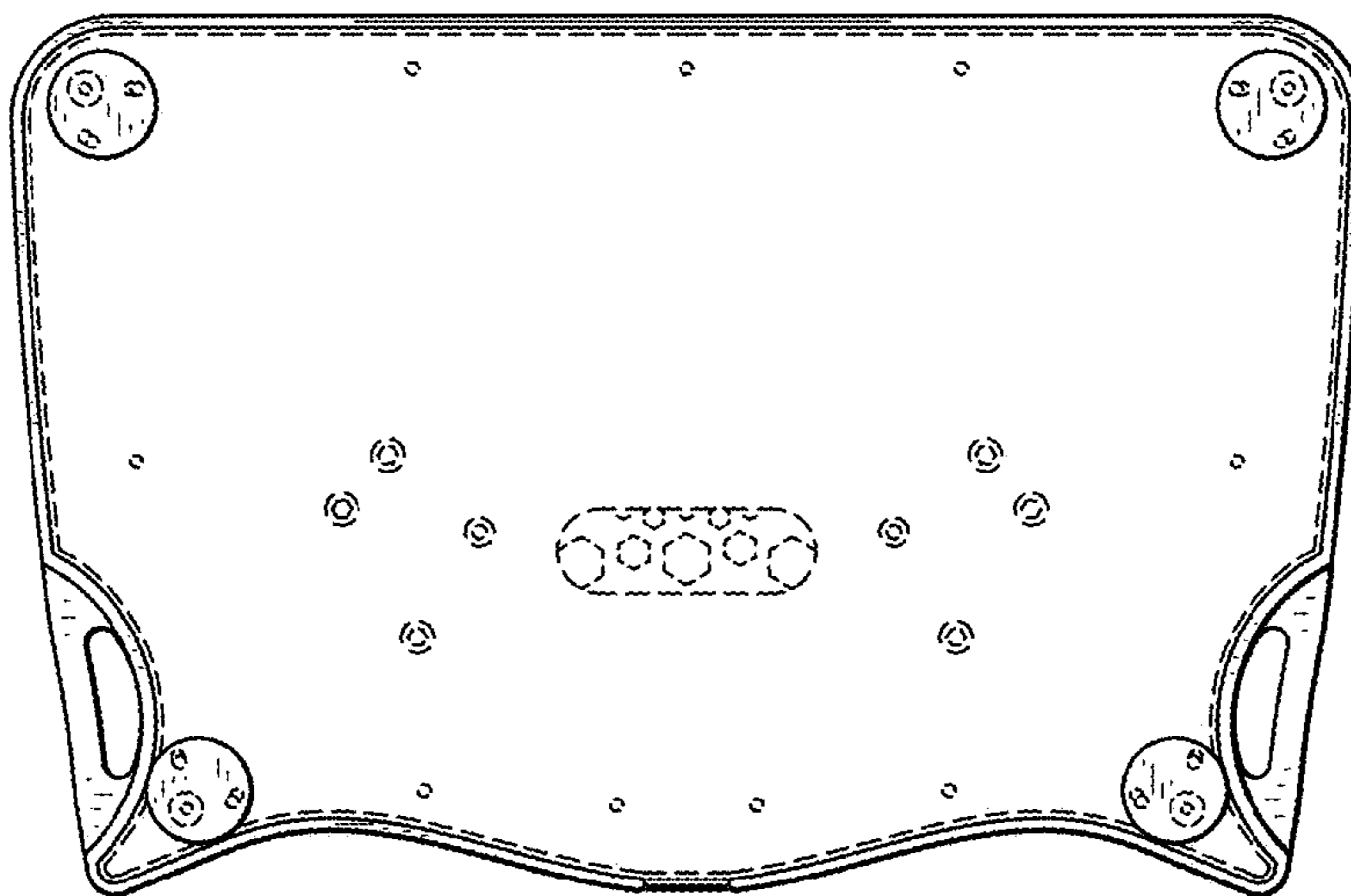


FIG. 7

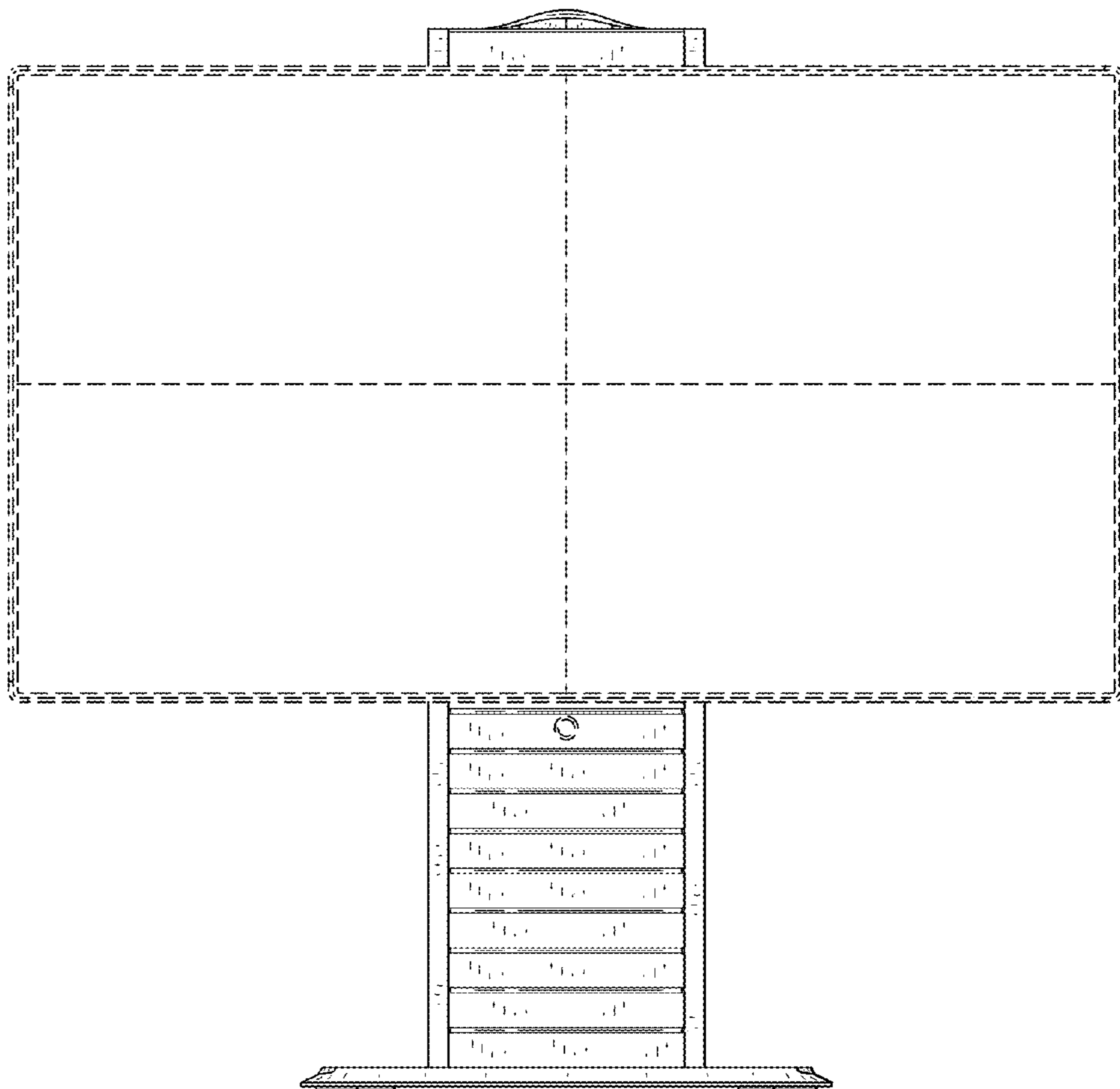




FIG. 8

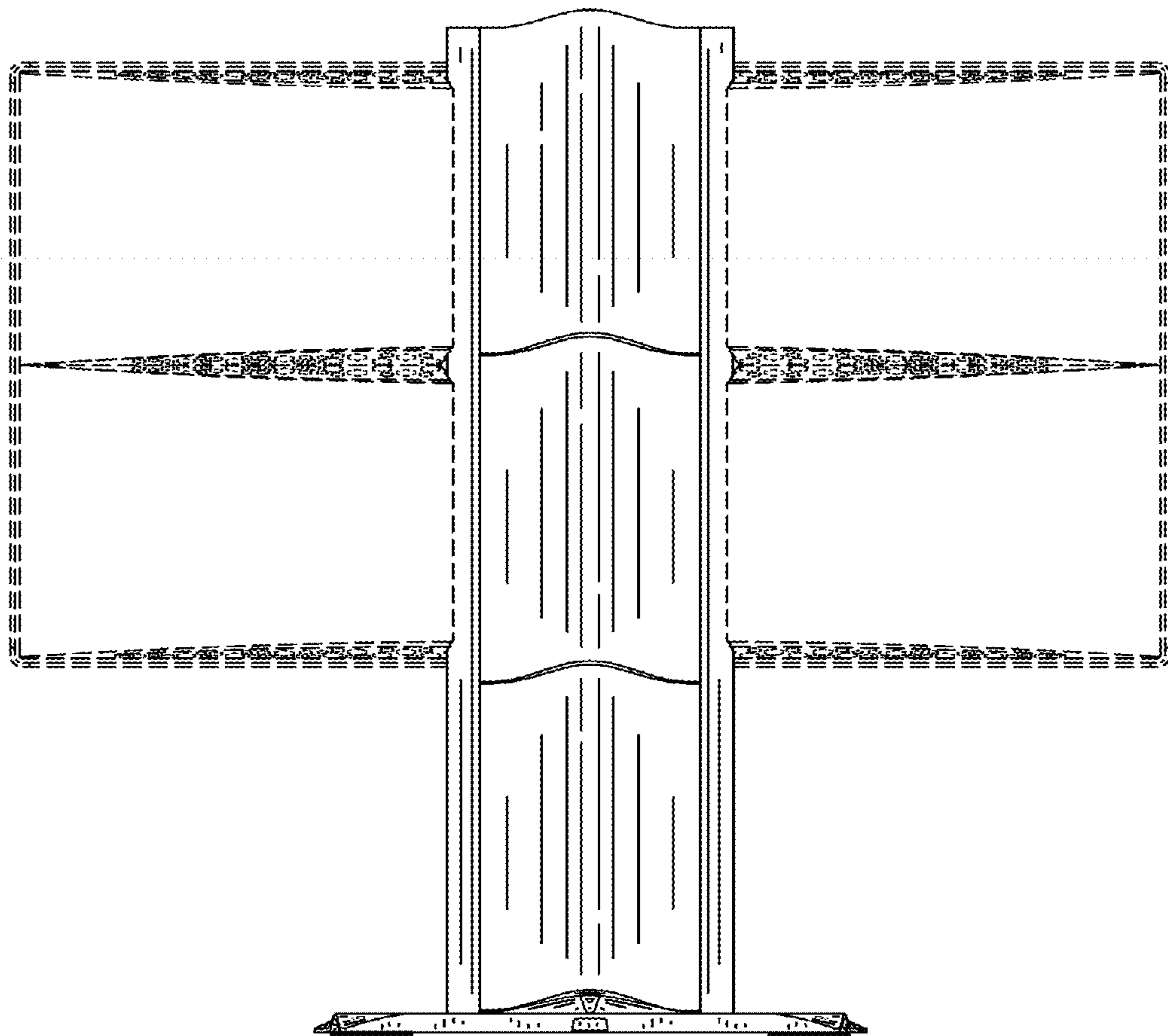


FIG. 9

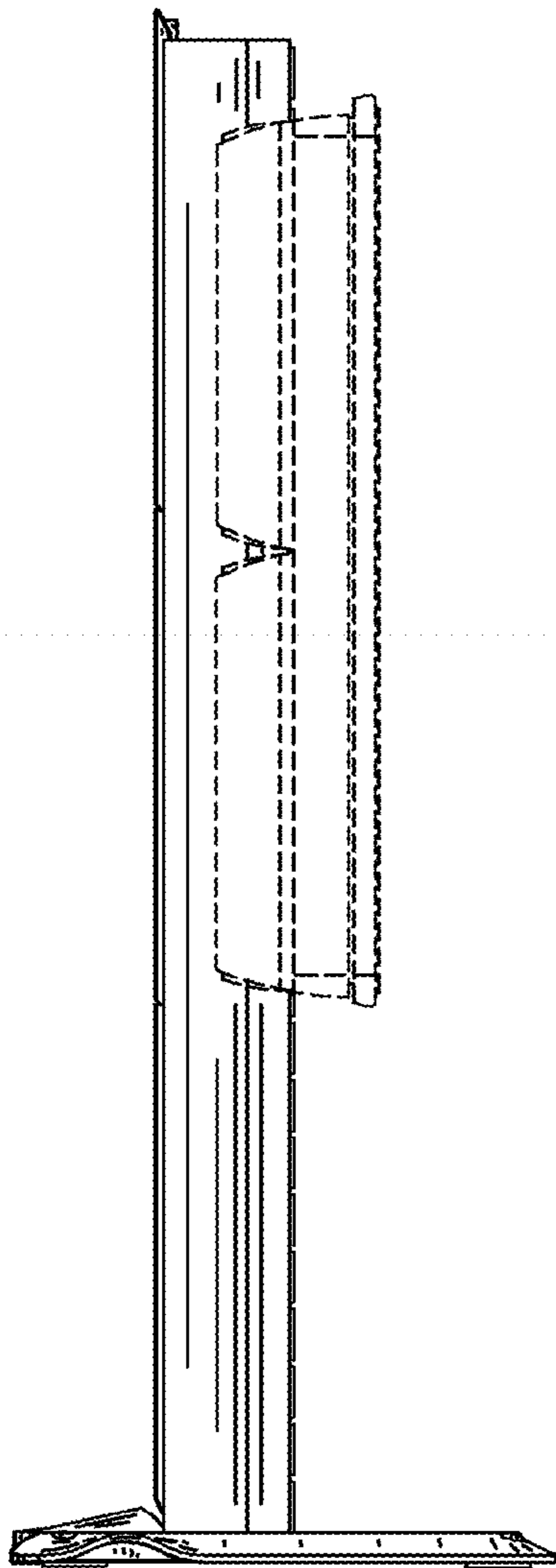


FIG. 10

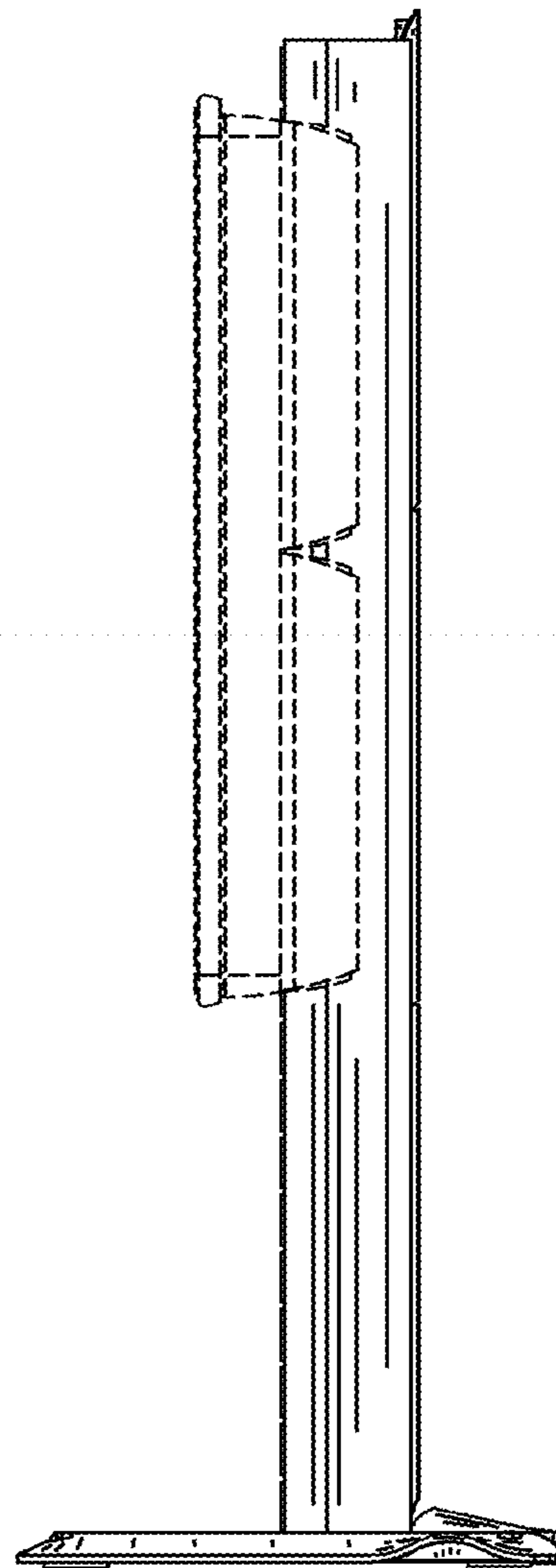


FIG. 11

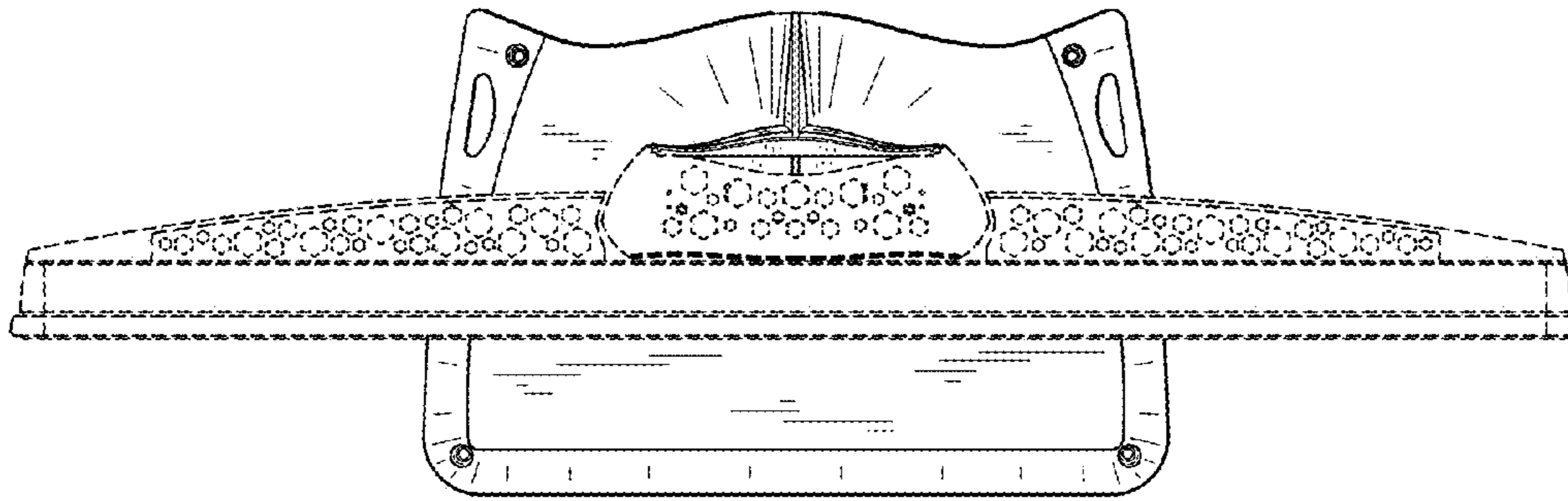


FIG. 12

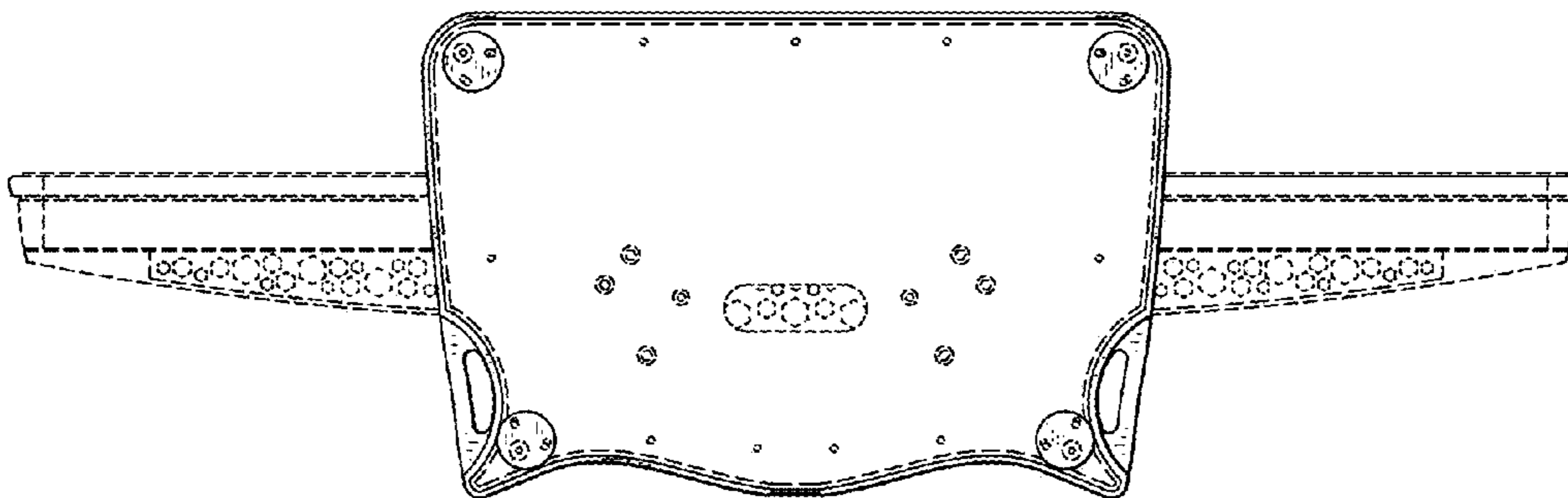


FIG. 13

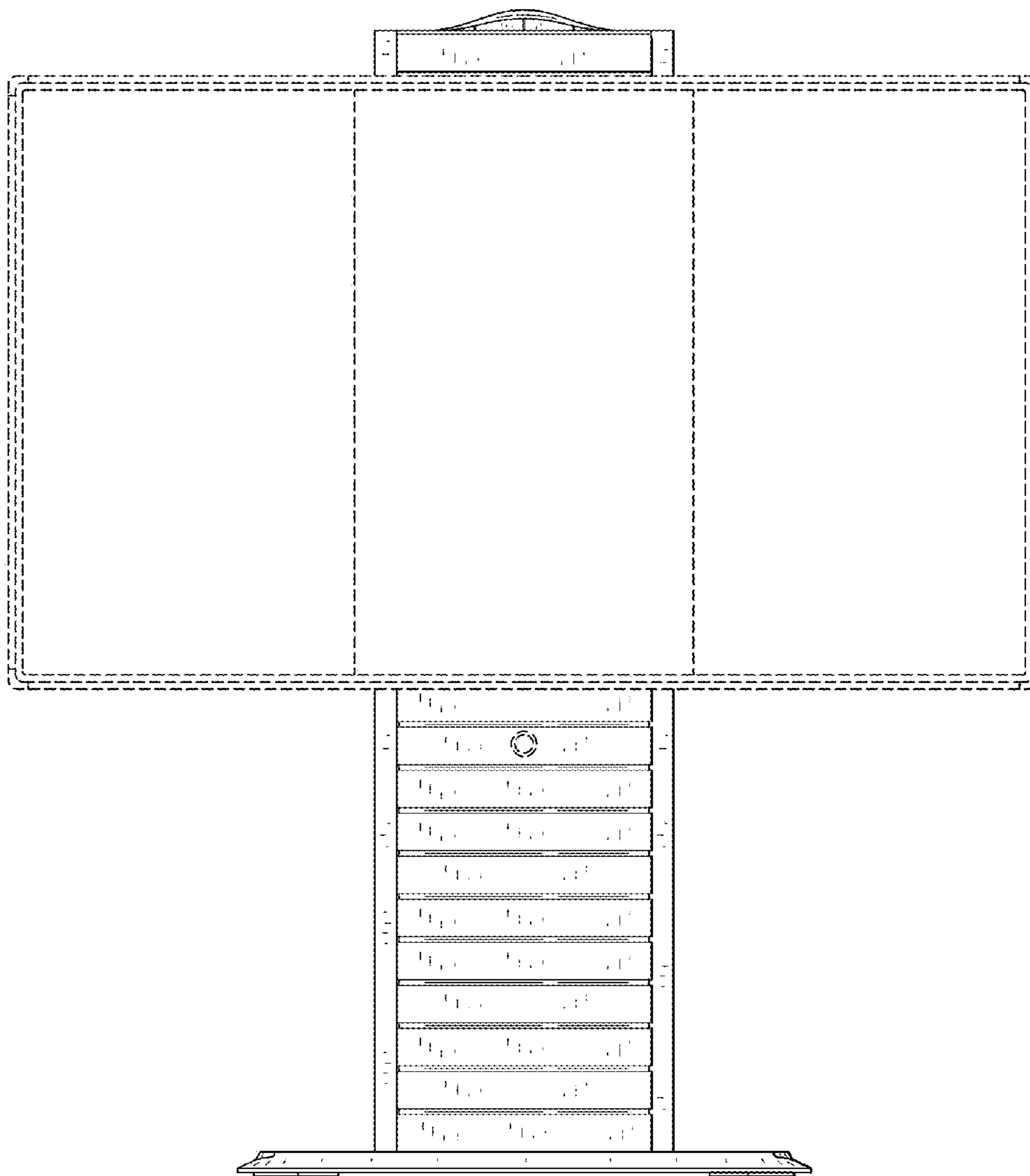


FIG. 14

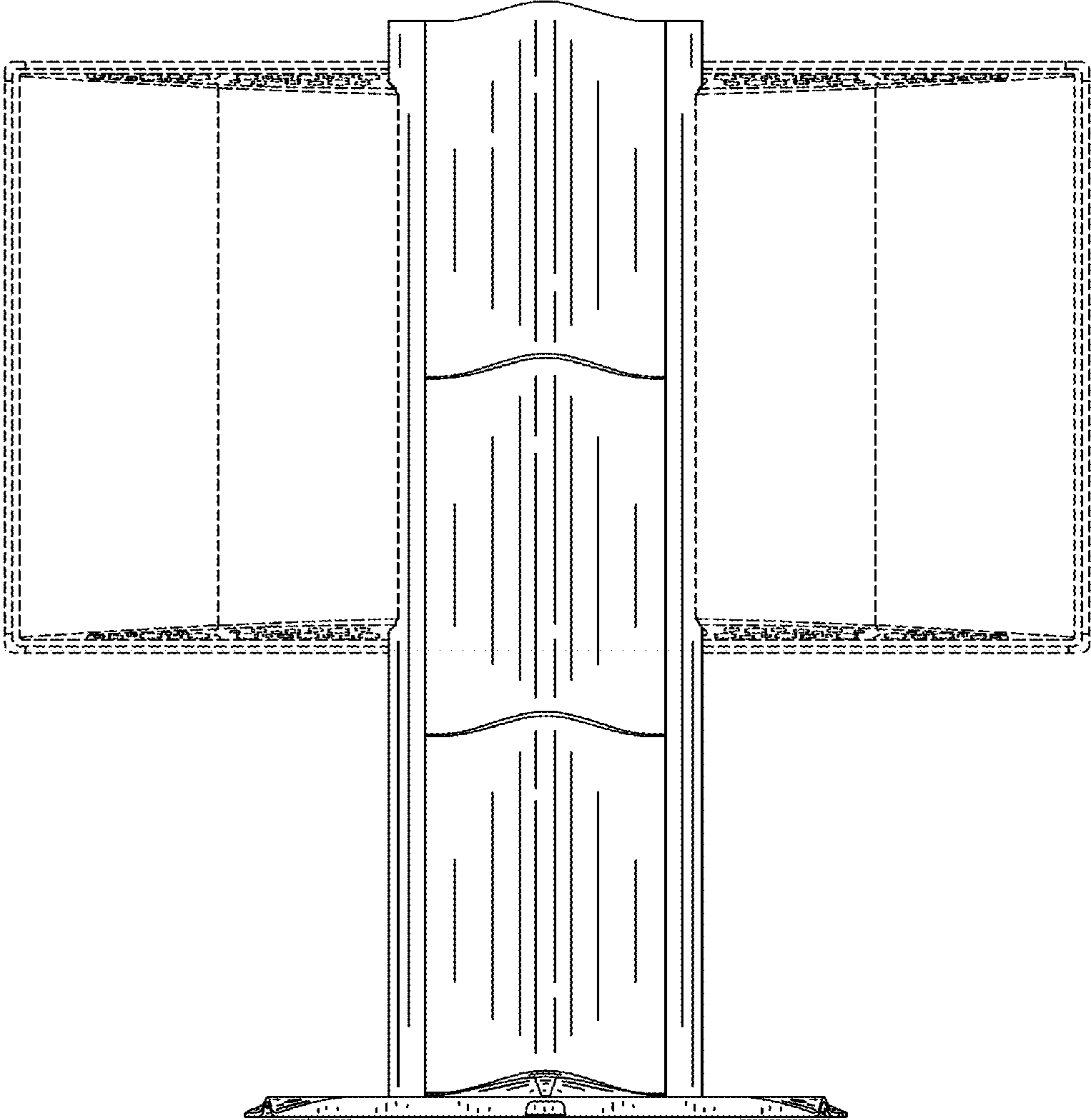


FIG. 15

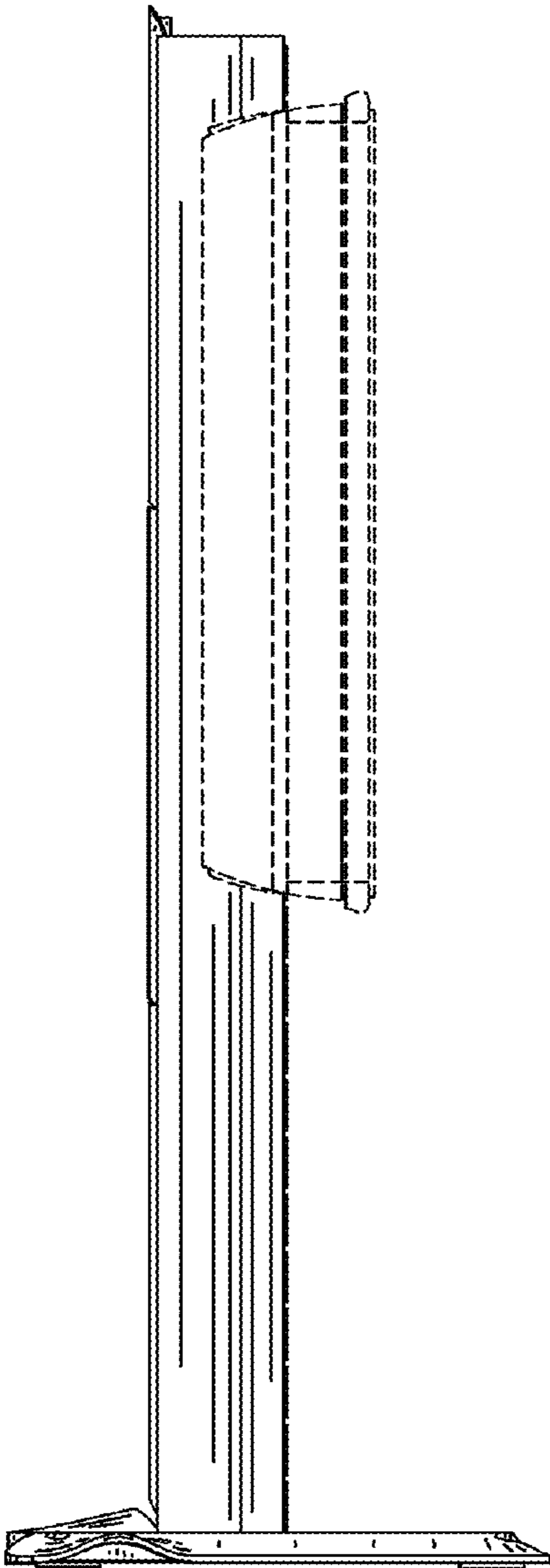


FIG. 16

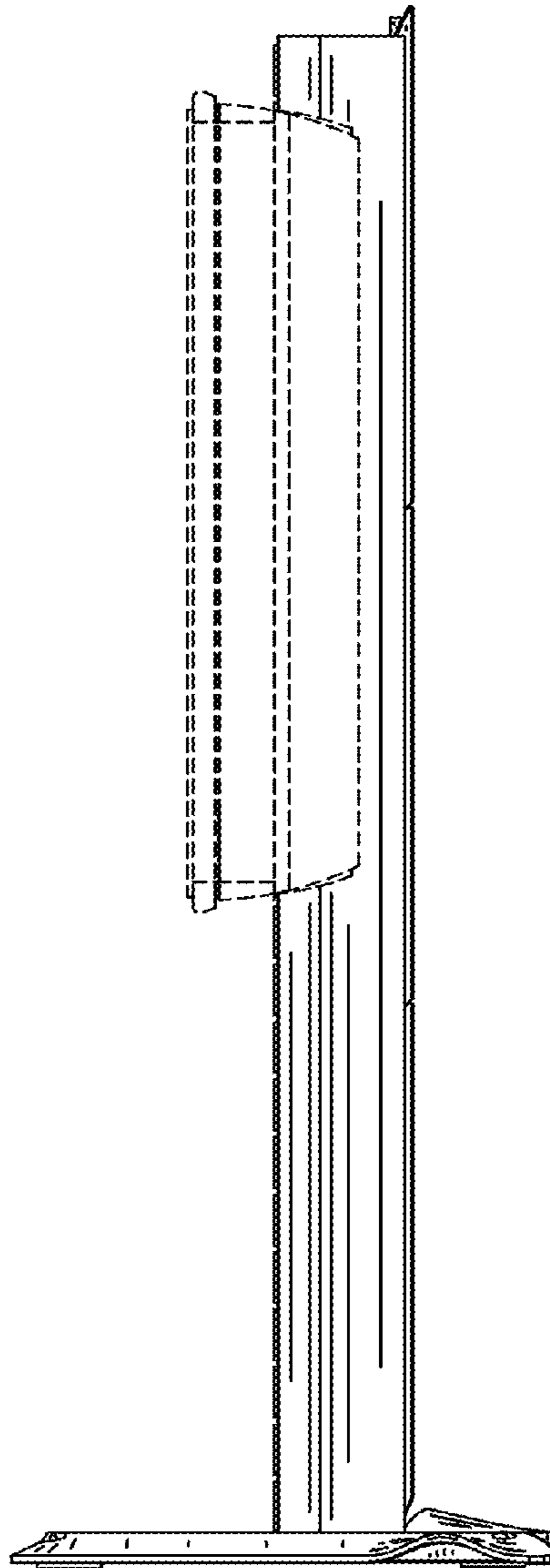


FIG. 17

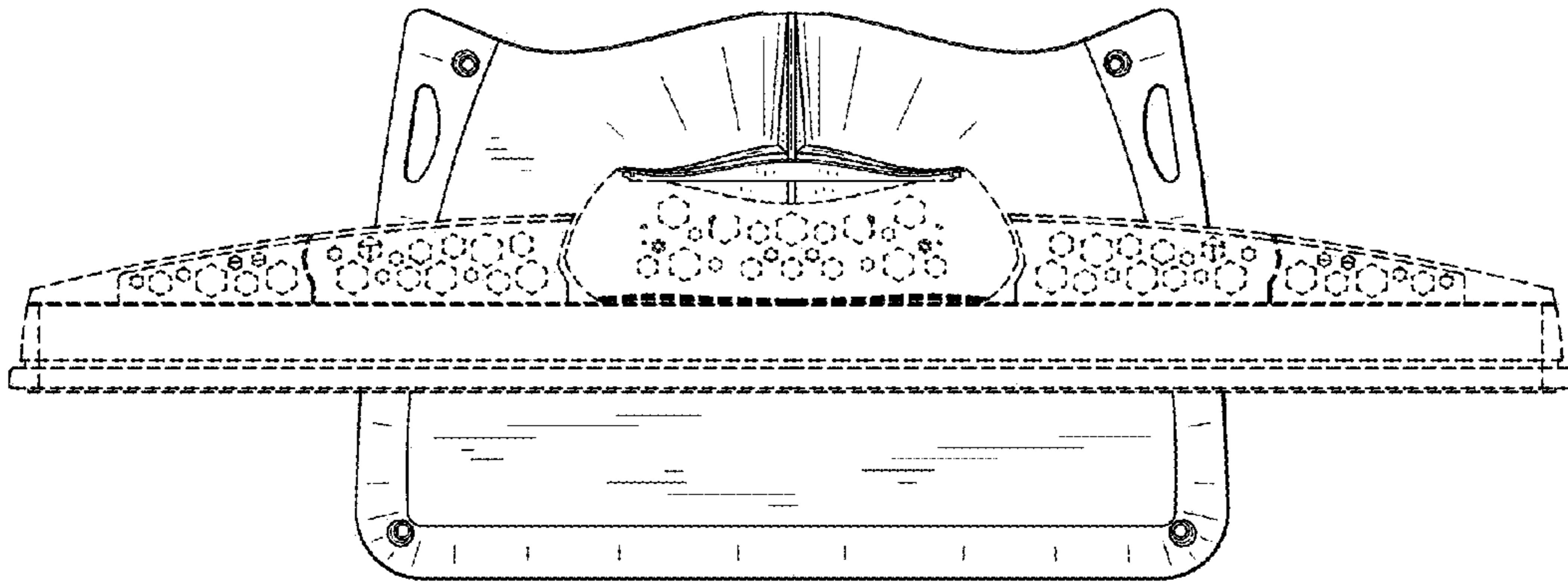


FIG. 18

