



US00D754620S

(12) **United States Design Patent**  
**Shin et al.**

(10) **Patent No.:** **US D754,620 S**  
(45) **Date of Patent:** **\*\* Apr. 26, 2016**

(54) **TV RECEIVER**

(71) Applicant: **Samsung Electronics Co., Ltd.**,  
Suwon-si, Gyeonggi-do (KR)  
(72) Inventors: **Rina Shin**, Seoul (KR); **Haesung Park**,  
Seoul (KR); **Chris Bangle**, Clavesana  
(IT)

(73) Assignee: **SAMSUNG ELECTRONICS CO.,  
LTD.** (KR)

(\*\*) Term: **14 Years**

(21) Appl. No.: **29/506,490**

(22) Filed: **Oct. 16, 2014**

(30) **Foreign Application Priority Data**

Apr. 16, 2014 (KR) ..... 30-2014-0019203

(51) **LOC (10) Cl.** ..... **14-03**

(52) **U.S. Cl.**  
USPC ..... **D14/126**

(58) **Field of Classification Search**  
USPC ..... D14/125-134, 239, 371, 136, 374-377,  
D14/440, 450, 448, 336, 342, 159; 312/7.2;  
348/836, 838, 180, 184, 325, 739;  
248/917-924, 465; 345/104, 133, 156,  
345/168, 87, 173; D21/329, 515, 577, 622,  
D21/333, 433, 448, 452, 450, 331, 505;  
D10/15, 26; 446/484, 175, 356;  
D6/477, 479, 300  
CPC ... G06F 1/1601; G06F 1/1643; H05K 5/0004;  
H05K 5/0017; H05K 5/02; H05K 5/0217

See application file for complete search history.

(56) **References Cited**

U.S. PATENT DOCUMENTS

D473,867 S \* 4/2003 Lin ..... D14/371  
D535,265 S \* 1/2007 Inoue ..... D14/126  
D703,626 S \* 4/2014 Hermansen ..... D14/126  
D709,470 S \* 7/2014 Ryu et al. .... D14/126  
D722,989 S \* 2/2015 Park et al. .... D14/126  
D730,855 S \* 6/2015 Kim et al. .... D14/126  
D735,152 S \* 7/2015 Cha et al. .... D14/126  
D737,792 S \* 9/2015 Park et al. .... D14/126

\* cited by examiner

*Primary Examiner* — Raphael Barkai

(74) *Attorney, Agent, or Firm* — Cantor Colburn LLP

(57) **CLAIM**

The ornamental design for a TV receiver, as shown and described.

**DESCRIPTION**

FIG. 1 is a front perspective view of a TV receiver showing our new design;

FIG. 2 is a front view thereof;

FIG. 3 is a rear view thereof;

FIG. 4 is a left-side view thereof;

FIG. 5 is a right-side view thereof;

FIG. 6 is a top plan view thereof;

FIG. 7 is a bottom plan view thereof;

FIG. 8 is a rear perspective view thereof;

FIG. 9 is a cross-sectional view thereof taken through line 9-9 of FIG. 2; and,

FIG. 10 is a partial enlarged view thereof taken from the encircled portion of FIG. 4.

The short dash-dash broken lines in the figures represent unclaimed portions of the TV receiver and form no part of the claimed design.

The dot-dash broken lines in FIGS. 1, 2, 4, 5, 8, 9 and 10 define the bounds of the claimed design and form no part of the claimed design.

The dot-dot dash broken lines in FIGS. 4 and 10 encircling portions of the claimed design that are illustrated in enlargements form no part of the claimed design.

**1 Claim, 10 Drawing Sheets**

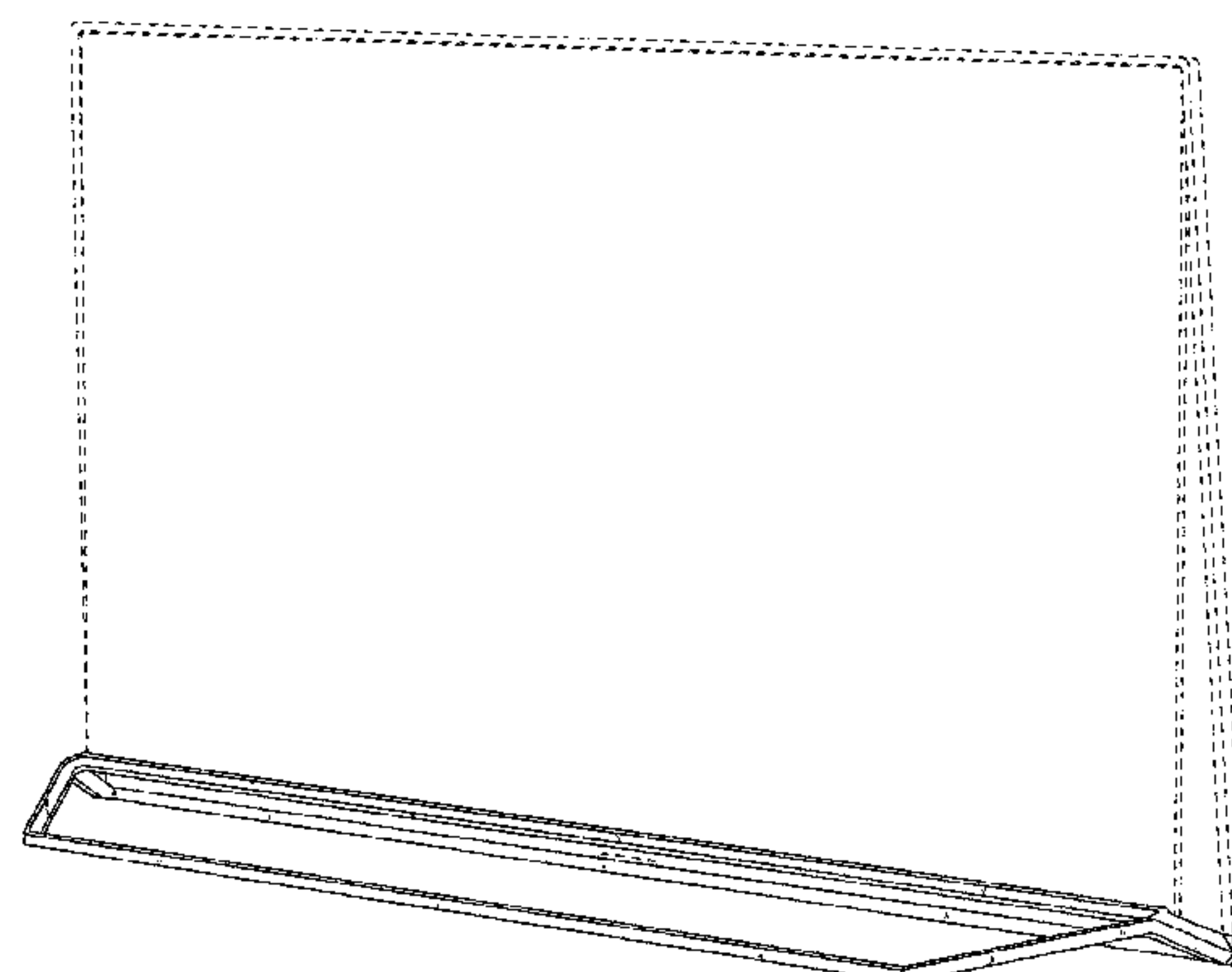
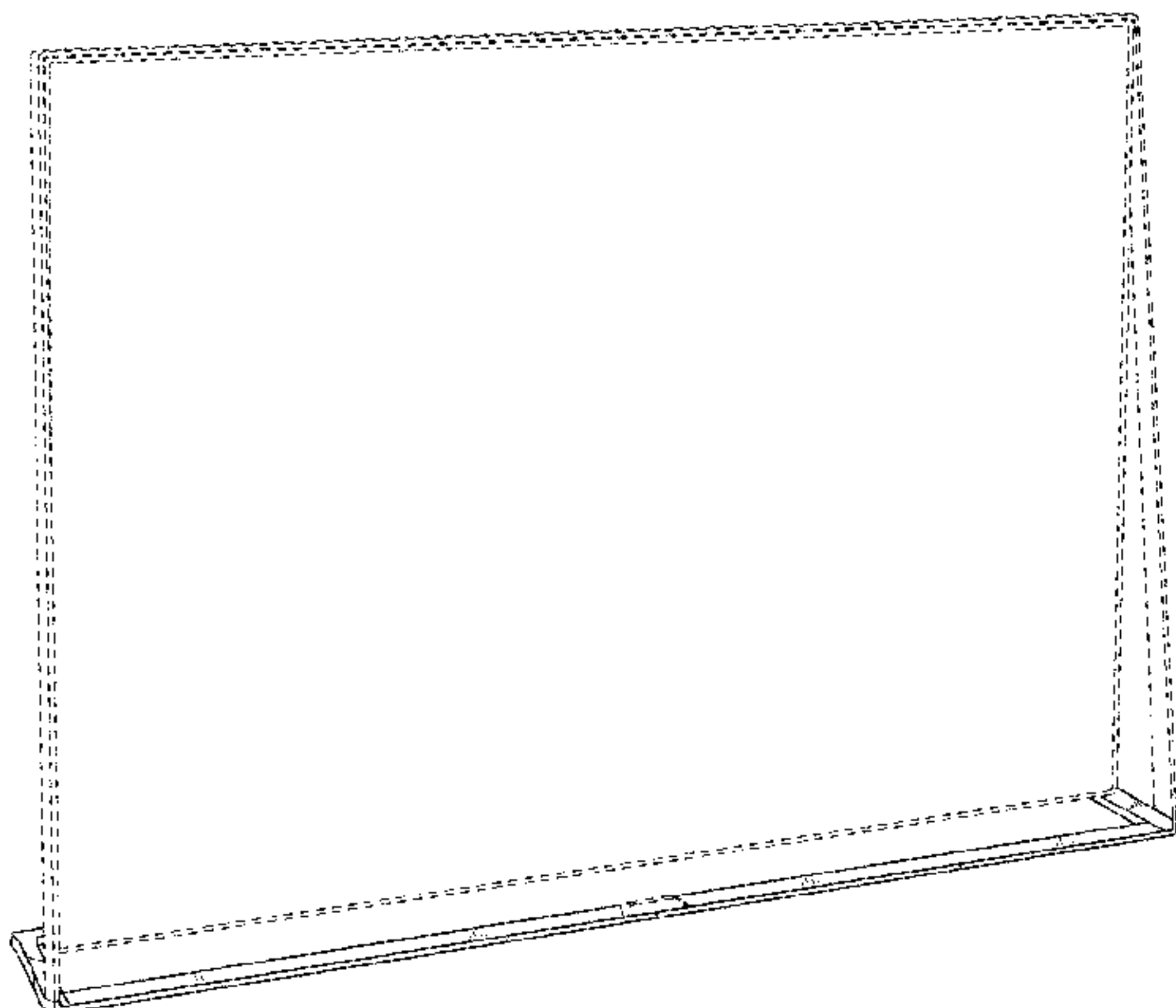


FIG. 1

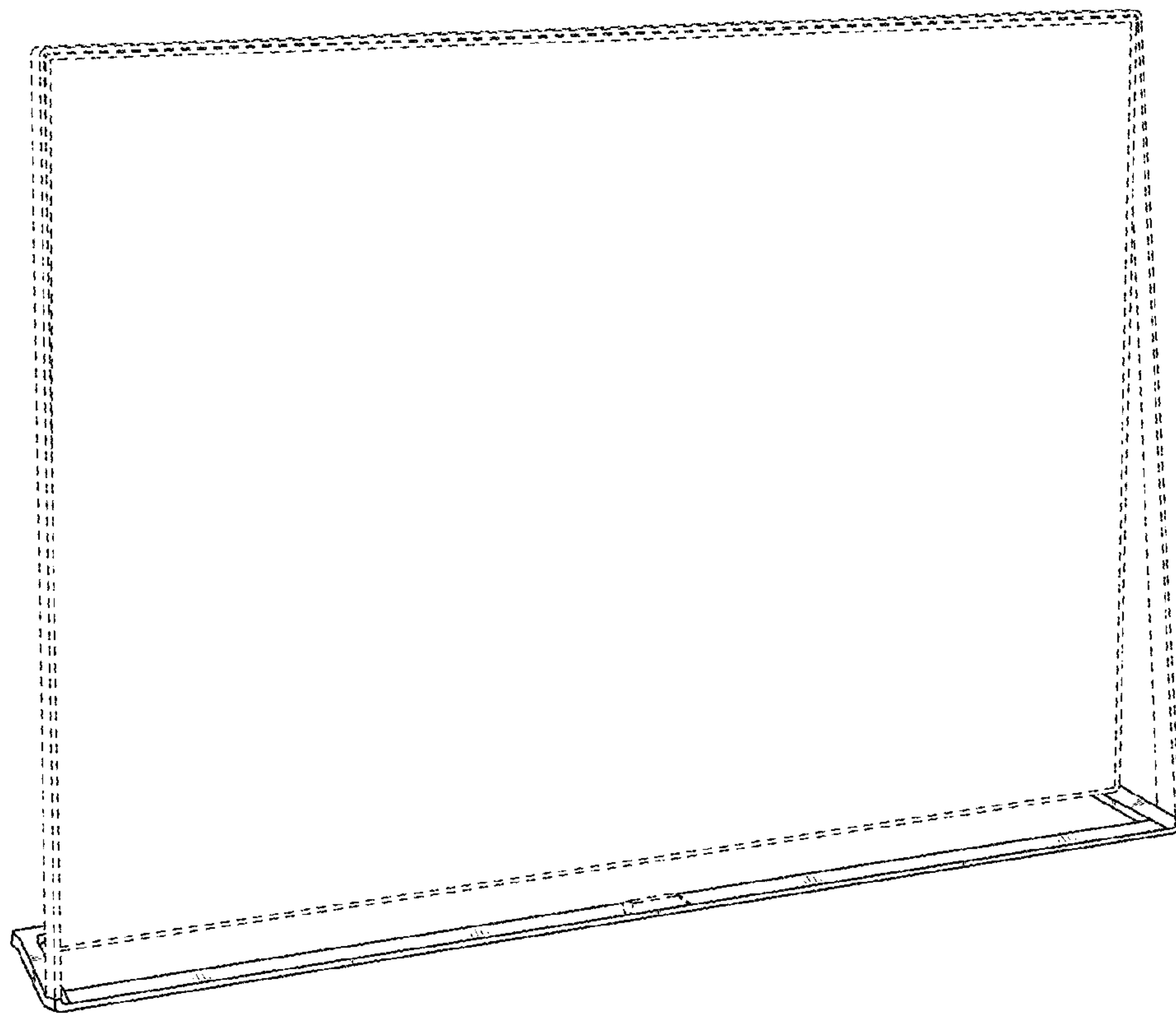


FIG. 2

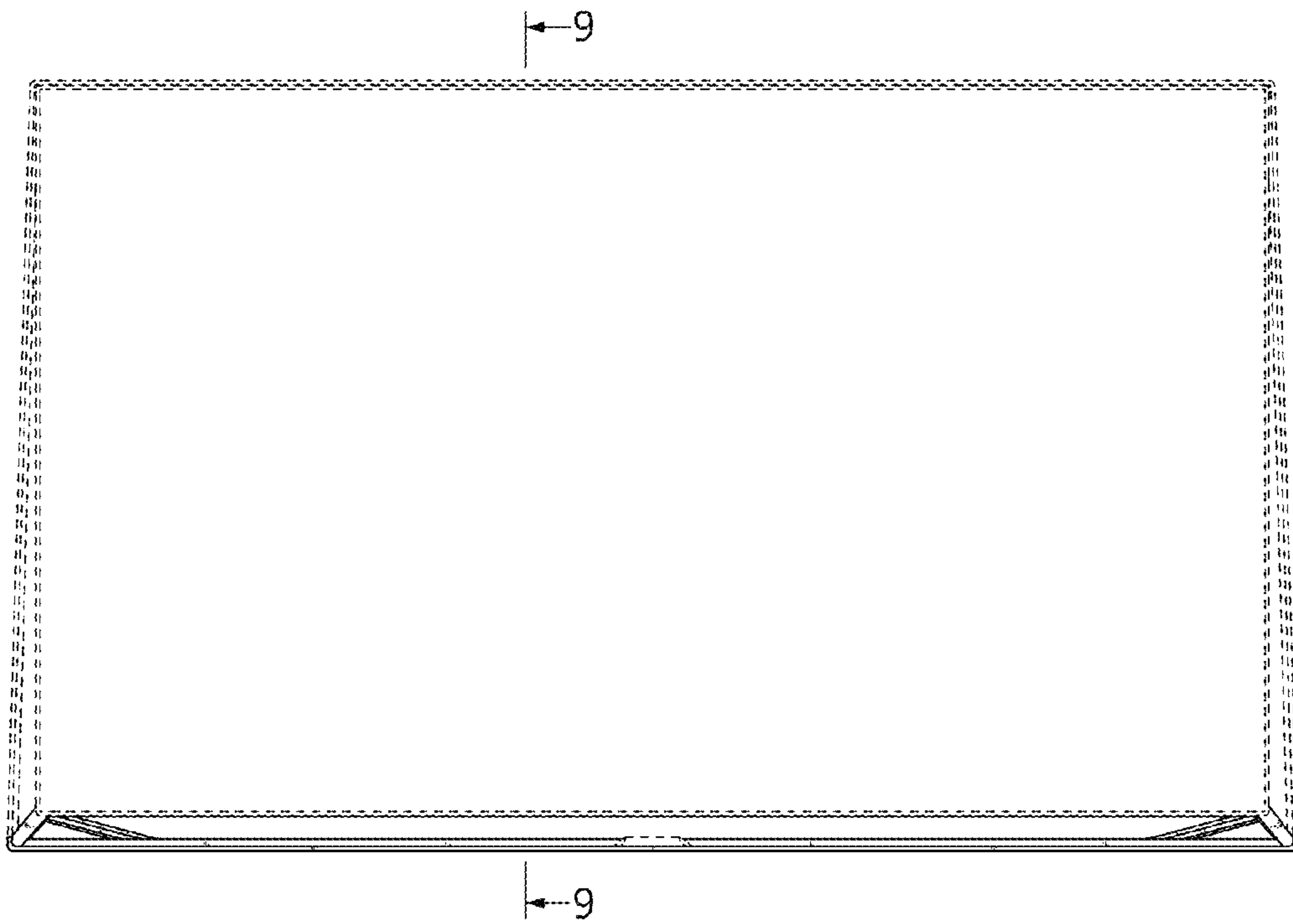


FIG. 3

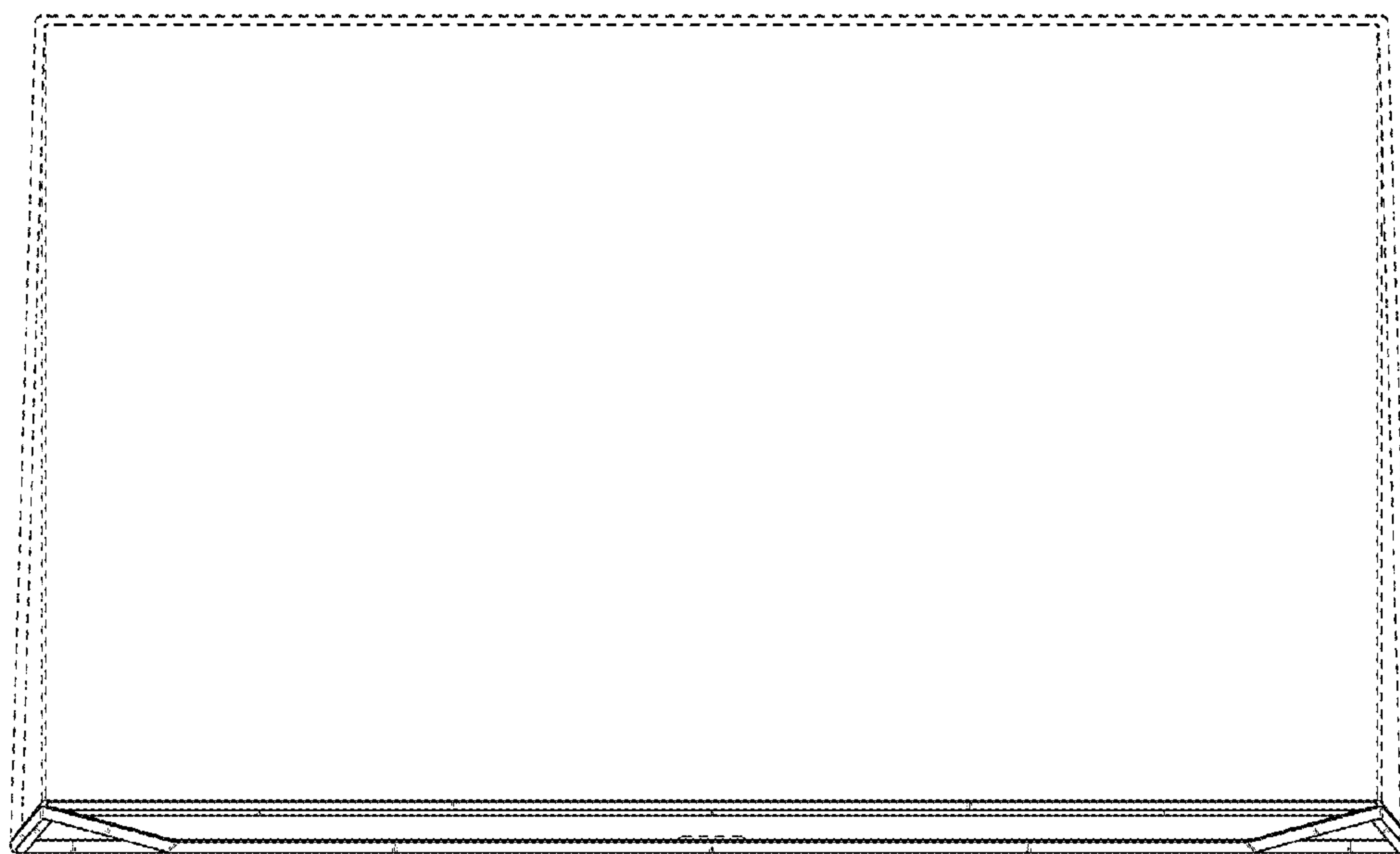


FIG. 4

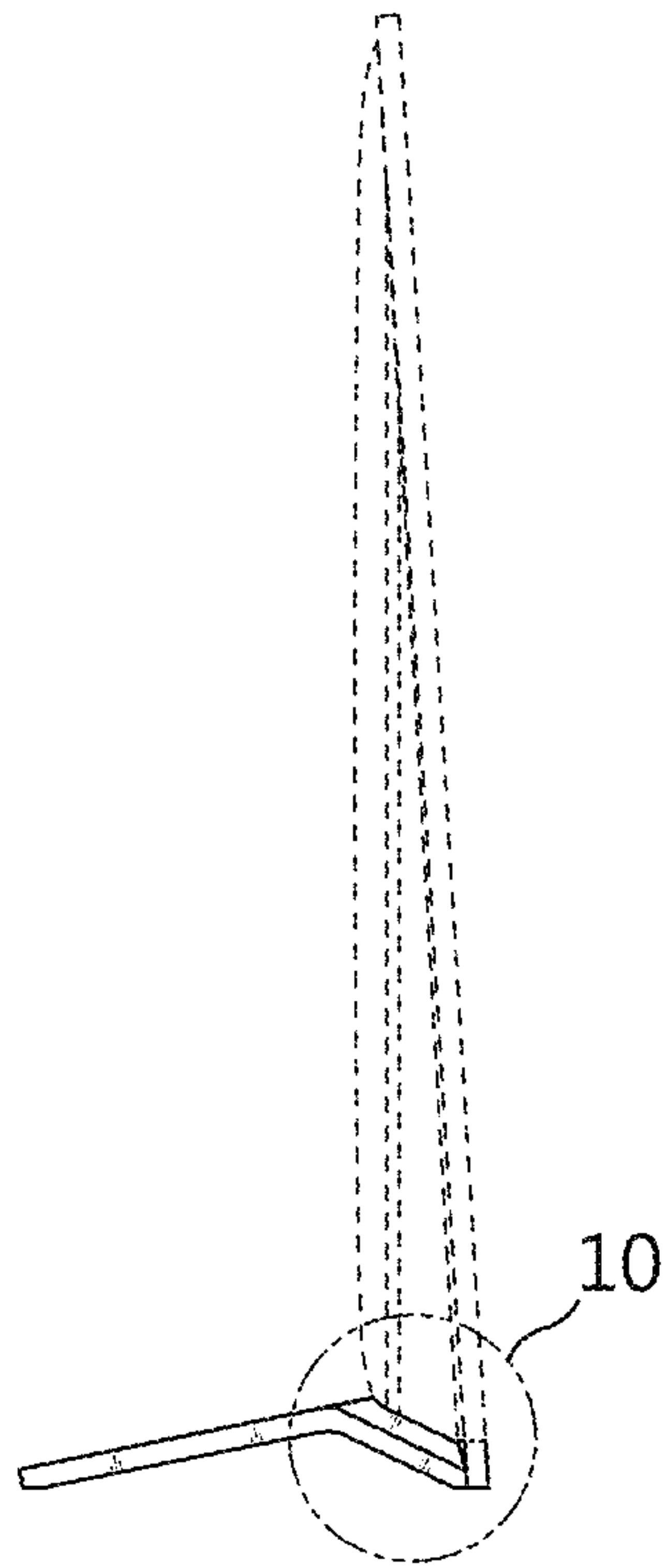


FIG. 5

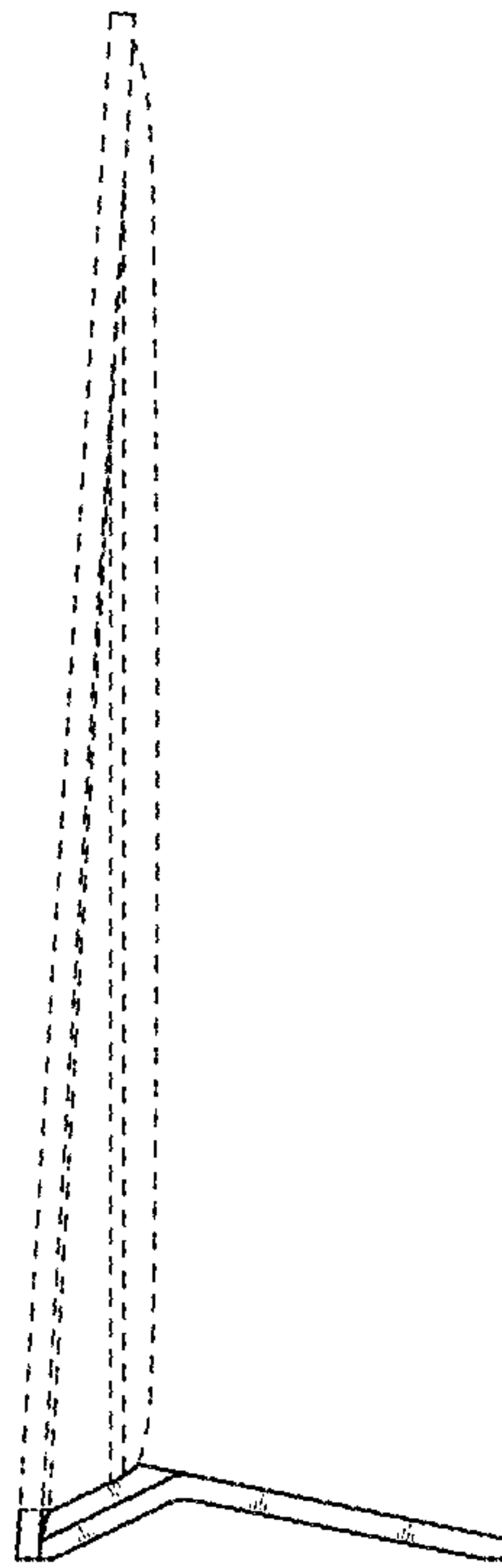


FIG. 6

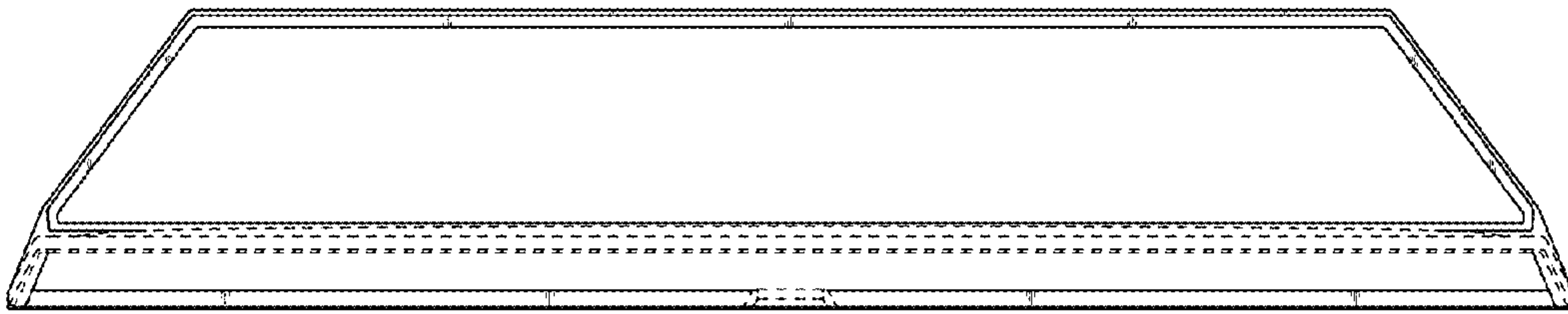


FIG. 7

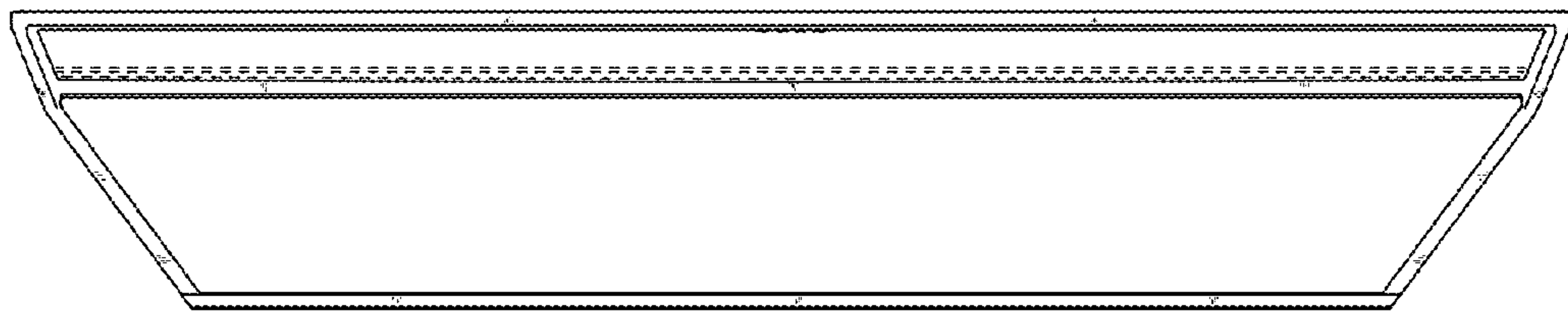




FIG. 8

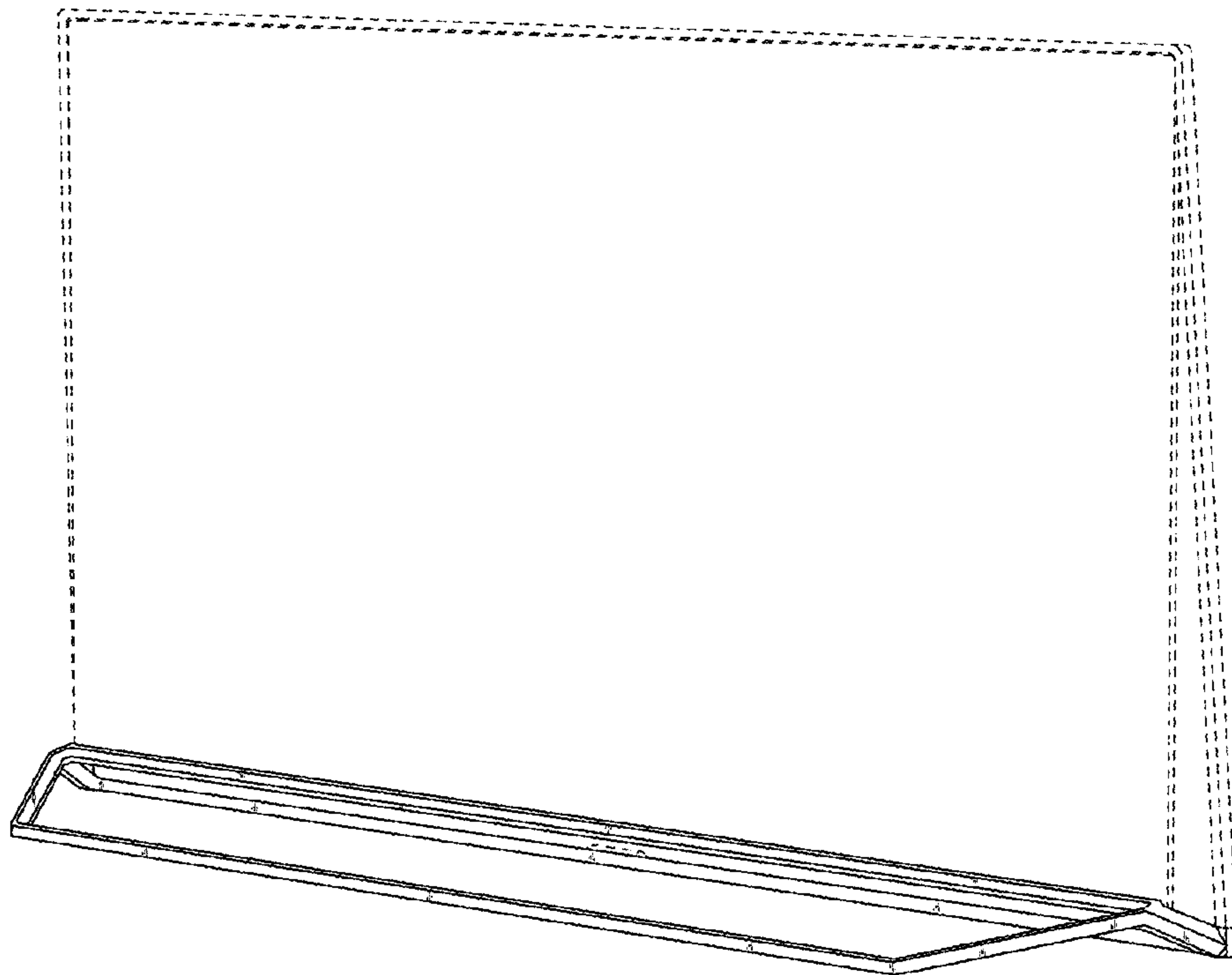


FIG. 9

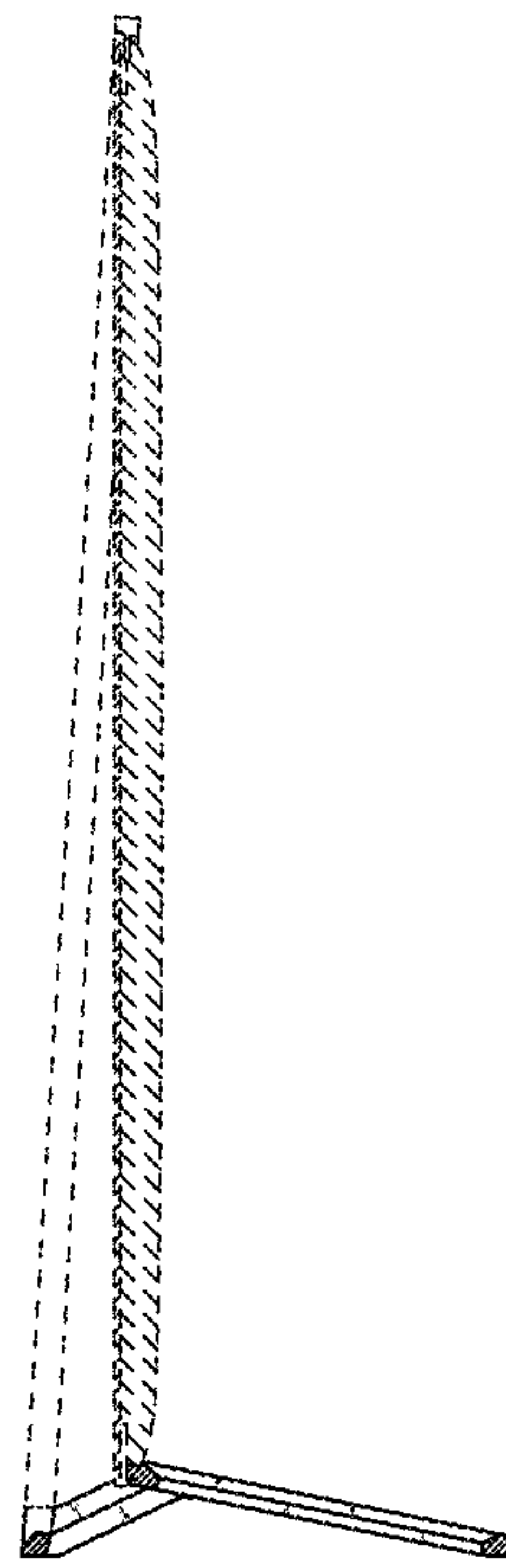


FIG. 10

