



US00D754618S

(12) **United States Design Patent**
Freeman

(10) **Patent No.:** **US D754,618 S**

(45) **Date of Patent:** **** *Apr. 26, 2016**

(54) **LED MODULE**

(71) Applicant: **Glenn Freeman**, San Antonio, TX (US)

(72) Inventor: **Glenn Freeman**, San Antonio, TX (US)

(73) Assignee: **General LED, Inc.**, San Antonio, TX (US)

(*) Notice: This patent is subject to a terminal disclaimer.

(**) Term: **14 Years**

(21) Appl. No.: **29/473,354**

(22) Filed: **Nov. 21, 2013**

(51) **LOC (10) Cl.** **13-03**

(52) **U.S. Cl.**
USPC **D13/180**

(58) **Field of Classification Search**
USPC D13/180; D26/1; 257/79, 80, 81, 88, 257/89, 95, 98, 99, 100, E33.058; 313/483, 313/498, 500; 362/249.01, 49.02, 555
CPC ... H01L 25/167; H01L 25/0753; H01L 27/15; H01L 27/156; H01L 31/02; H01L 33/00; H01L 33/04; H01L 33/08; H01L 33/10; H01L 33/20; H01L 33/38; H01L 33/42; H01L 33/483; H01L 33/486
See application file for complete search history.

(56) **References Cited**

U.S. PATENT DOCUMENTS

6,188,527 B1 * 2/2001 Bohn 359/710
6,501,084 B1 * 12/2002 Sakai et al. 250/504 R
D497,883 S * 11/2004 Wedig et al. D13/180
6,932,495 B2 * 8/2005 Sloan et al. 362/294
7,044,620 B2 * 5/2006 Van Duyn 362/294

7,140,751 B2 * 11/2006 Lin 362/249.02
D566,059 S * 4/2008 Tanaka D13/180
D575,246 S * 8/2008 Fuwa et al. D13/180
D578,492 S * 10/2008 Xu D13/180
D594,576 S * 6/2009 Chan et al. D26/1
D623,149 S * 9/2010 Peifer D13/180
7,887,218 B2 * 2/2011 Wang 362/240
8,132,935 B2 * 3/2012 Park et al. 362/235
8,136,977 B2 * 3/2012 Chiang et al. 362/631
D663,048 S * 7/2012 Chen D26/1
8,246,218 B2 * 8/2012 Gu et al. 362/311.02
D703,841 S * 4/2014 Feng et al. D26/1
D708,360 S * 7/2014 Shibata et al. D26/1
2003/0193803 A1 * 10/2003 Lin 362/250
2004/0223328 A1 * 11/2004 Lee et al. 362/249
2006/0092637 A1 * 5/2006 Yeh 362/249

* cited by examiner

Primary Examiner — Selina Sikder

(74) *Attorney, Agent, or Firm* — Alan R. Thiele; William H. Quirk; Rosenthal Pauerstein Sandoloski Agather LLP

(57) **CLAIM**

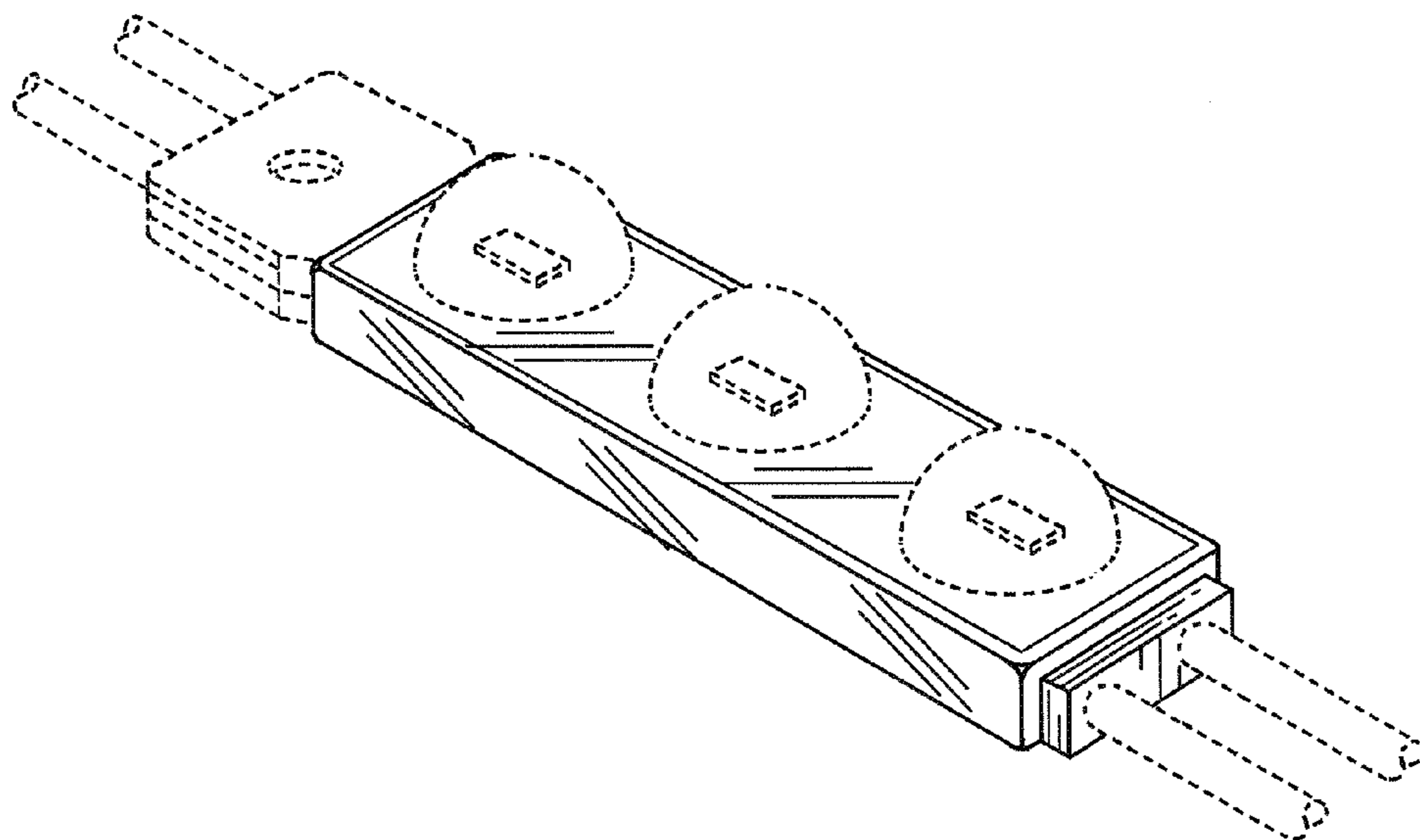
I claim the ornamental design for an LED module, as shown and described.

DESCRIPTION

FIG. 1 is a perspective view of an LED module showing my new design;
FIG. 2 is a top plan view thereof;
FIG. 3 is a front devotional view thereof;
FIG. 4 is a bottom plan view thereof;
FIG. 5 is a rear elevational view thereof;
FIG. 6 is a left side elevational view thereof; and,
FIG. 7 is a right side elevational view thereof.

The broken lines shown on the drawing views are for the purpose of illustrating environmental structure and form no part of the claimed design.

1 Claim, 2 Drawing Sheets



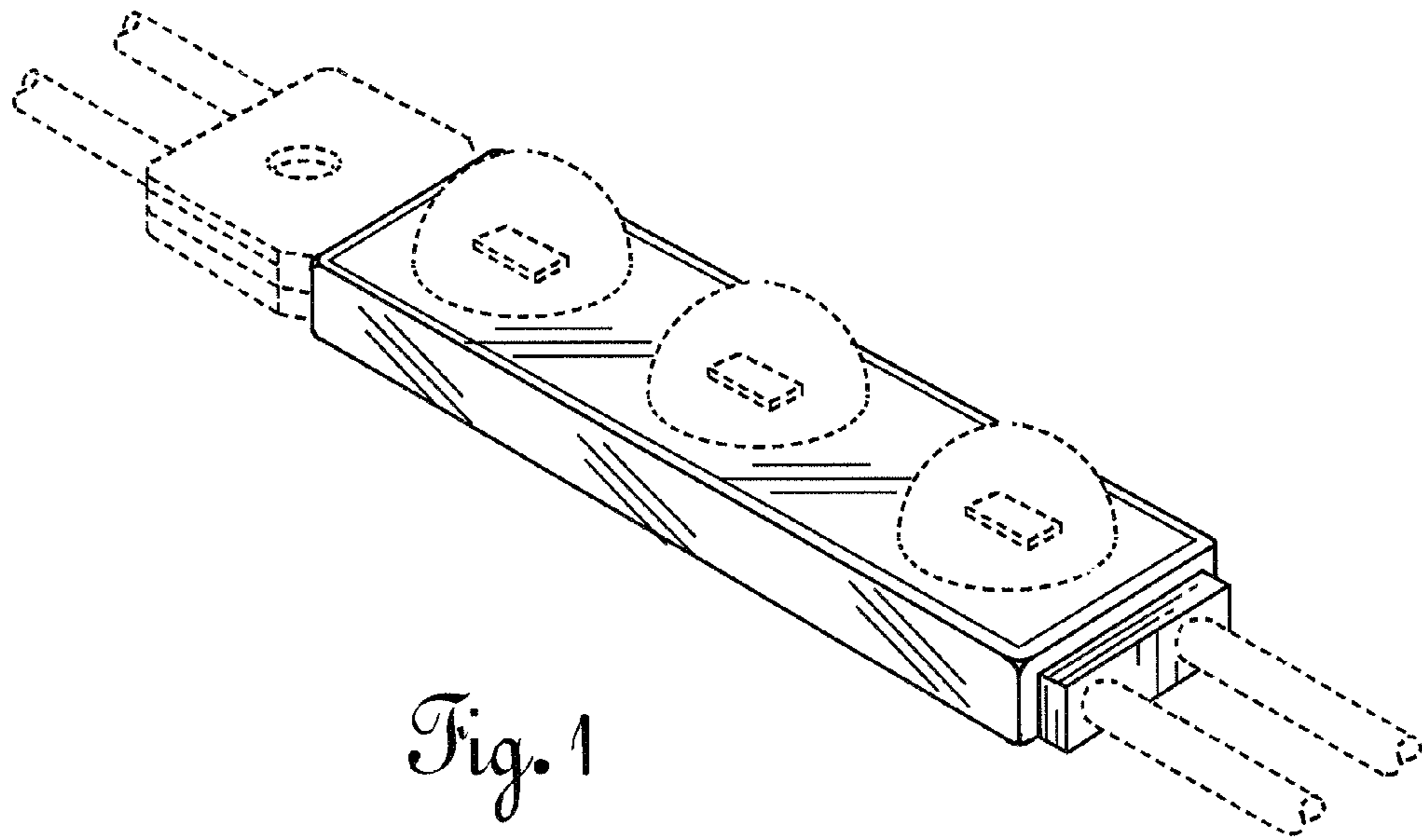


Fig. 1

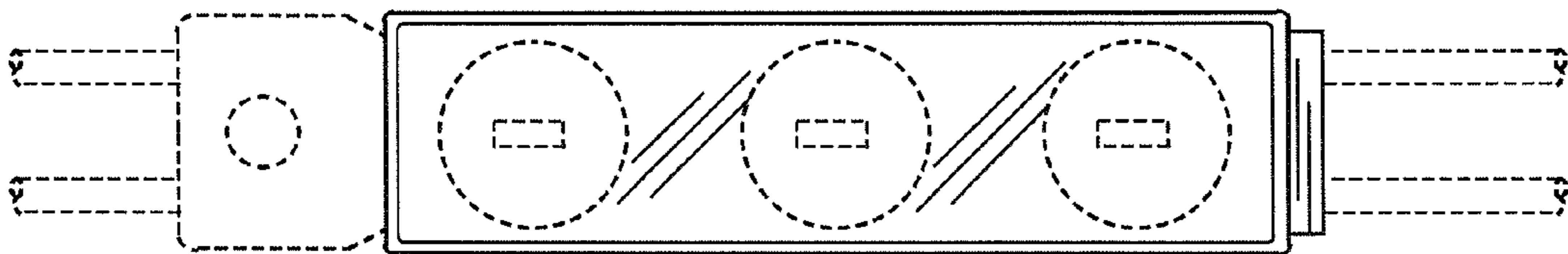


Fig. 2

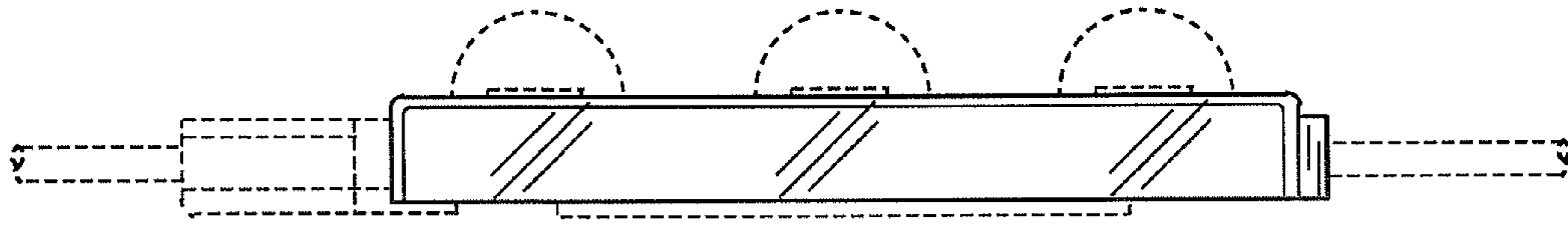


Fig. 3

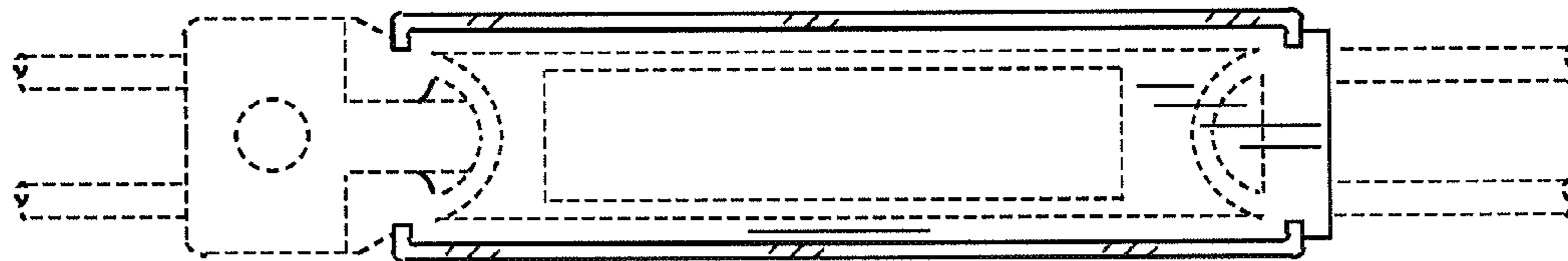


Fig. 4

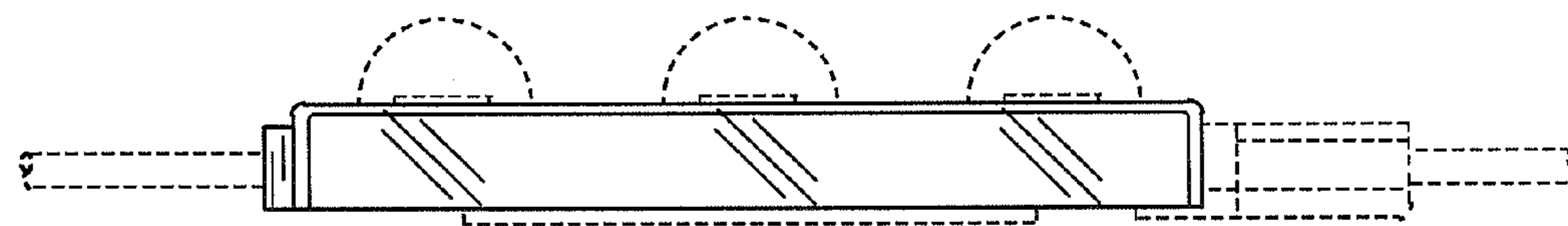


Fig. 5

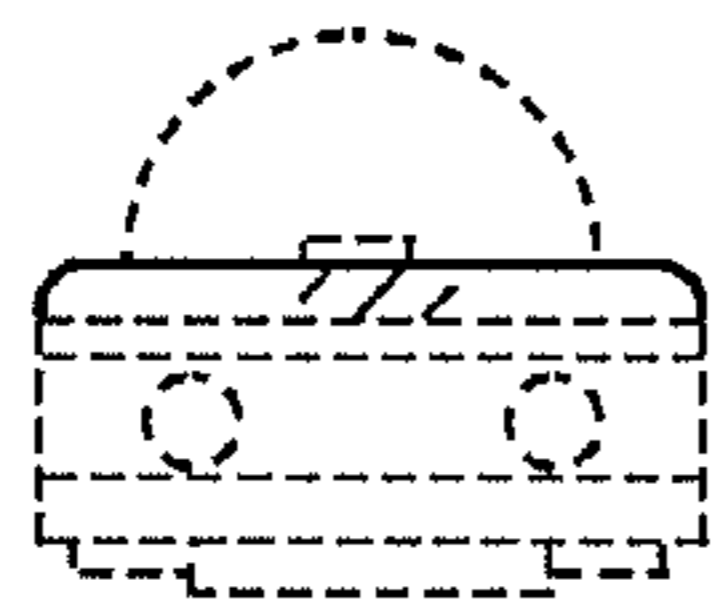


Fig. 6

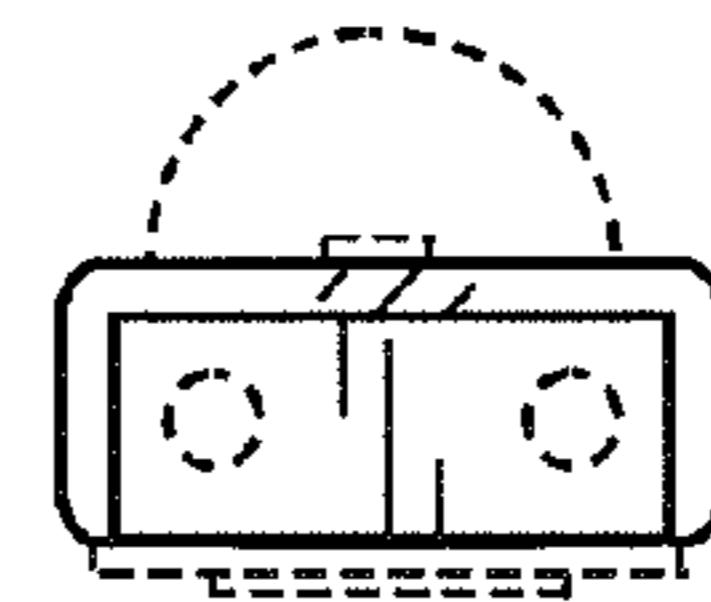


Fig. 7