

US00D754617S

(12) **United States Design Patent**
Altonen et al.

(10) **Patent No.:** **US D754,617 S**
(45) **Date of Patent:** **** Apr. 26, 2016**

(54) **REMOTE CONTROL**

(71) Applicant: **Lutron Electronics Co., Inc.**,
Coopersburg, PA (US)

(72) Inventors: **Gregory Altonen**, Easton, PA (US);
Erica L. Clymer, Northampton, PA
(US); **Elliot G. Jacoby**, Glenside, PA
(US); **Noel Mayo**, Philadelphia, PA
(US); **Joel S. Spira**, Coopersburg, PA
(US)

(73) Assignee: **LUTRON ELECTRONICS CO., INC.**,
Coopersburg, PA (US)

(**) Term: **15 Years**

(21) Appl. No.: **29/534,801**

(22) Filed: **Jul. 31, 2015**

Related U.S. Application Data

(62) Division of application No. 29/488,242, filed on Apr.
17, 2014.

(51) **LOC (10) Cl.** **14-03**

(52) **U.S. Cl.**
USPC **D13/168**

(58) **Field of Classification Search**

USPC D13/164, 168, 174; D14/218
CPC H03J 1/0025; H03J 9/00; H03J 9/02;
H03J 9/04; H03J 9/06; H01H 9/18; H01H
9/0235; H04B 1/202; H05B 33/0803; H05B
33/0863; H05B 37/02; H05B 37/0272; H05B
39/088; H05B 39/041; G05B 11/01; G05B
2219/2642; G08C 17/00; G08C 17/02; G08C
19/28; G08C 23/04; G08C 2201/20; G08C
2201/30; G08C 2201/33; G08C 2201/40;
G08C 2201/91; G08C 2201/92

See application file for complete search history.

(56) **References Cited**

U.S. PATENT DOCUMENTS

D330,013 S 10/1992 Wunsch
D348,435 S 7/1994 Farinelli et al.

(Continued)

OTHER PUBLICATIONS

U.S. Appl. No. 29/535,122, Aug. 4, 2015, Altonen et al.

(Continued)

Primary Examiner — Selina Sikder

(74) *Attorney, Agent, or Firm* — Mark E. Rose; Philip N.
Smith

(57) **CLAIM**

We claim the ornamental design for a remote control, as
shown and described.

DESCRIPTION

FIG. 1 is a perspective view of a remote control according to
a first embodiment of our new design.

FIG. 2 is a front view thereof.

FIG. 3 is a left side view thereof.

FIG. 4 is a right side view thereof.

FIG. 5 is a top view thereof.

FIG. 6 is a bottom view thereof.

FIG. 7 is a perspective view of a remote control according to
a second embodiment of our new design.

FIG. 8 is a front view thereof, the left side, right side, top, and
bottom views, respectively, of the second embodiment being
identical to the left side, right side, top, and bottom views of
the first embodiment.

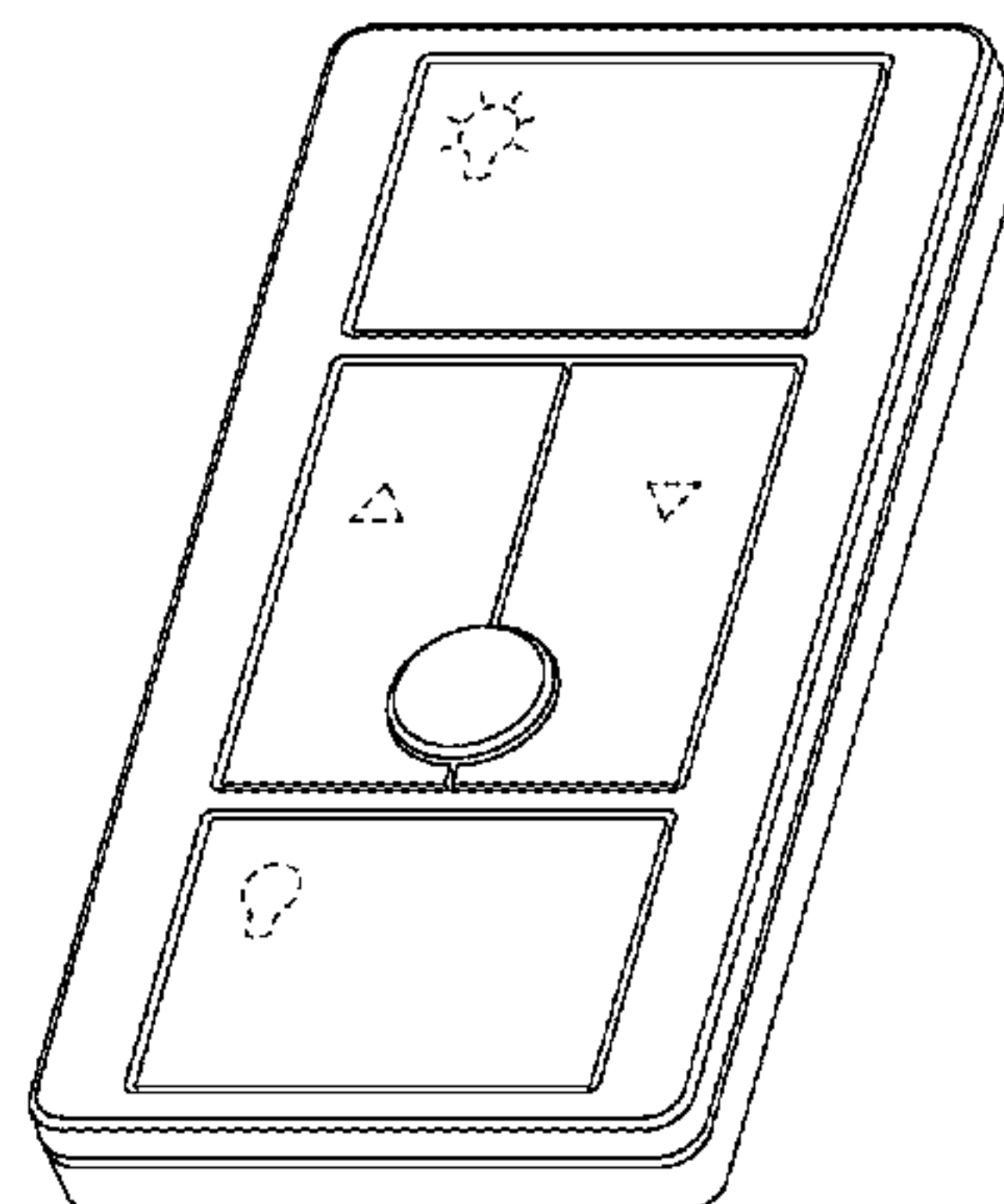
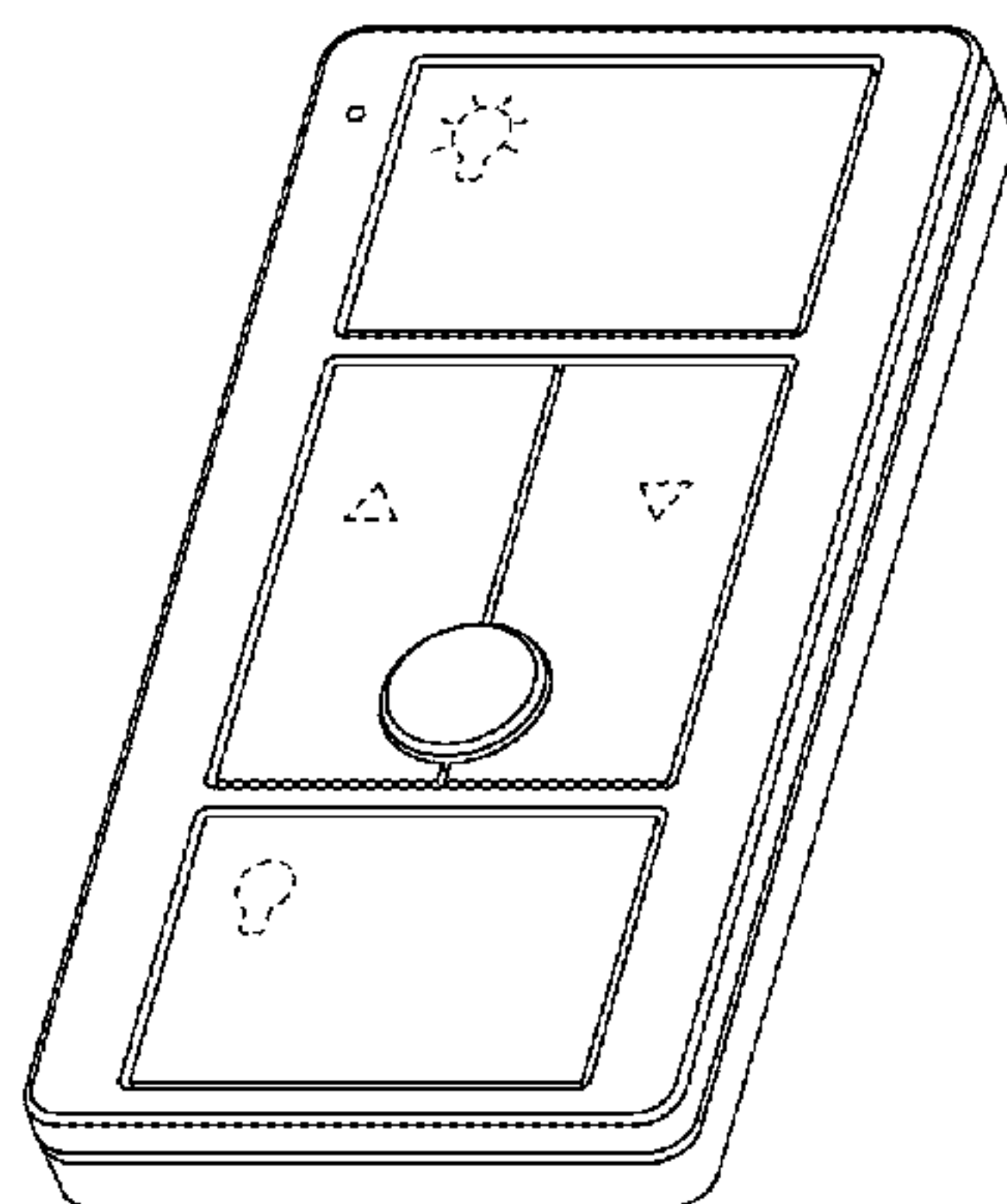
FIG. 9 is a perspective view of the load control device show-
ing an alternate environment of the first embodiment;

FIG. 10 is a front view thereof, all other views being identical
to the first embodiment.

FIG. 11 is a perspective view load control device showing an
alternate environment of the second embodiment; and,
FIG. 12 is a front view thereof, all other views being identical
to the second embodiment.

The rear views form no part of the design and are omitted. The
broken lines showing portions of the remote control are for
the purpose of illustrating environmental structure and form
no part of the claimed design.

1 Claim, 10 Drawing Sheets



(56)

References Cited

U.S. PATENT DOCUMENTS

D407,695 S 4/1999 Hwang
 6,120,262 A 9/2000 McDonough et al.
 D494,489 S 8/2004 Tulloch
 D496,335 S 9/2004 Spira
 D527,711 S 9/2006 Spira et al.
 D528,992 S 9/2006 Hobart et al.
 D546,295 S 7/2007 Marchetto et al.
 7,312,695 B2 12/2007 Lehmer et al.
 D592,606 S * 5/2009 Felegy, Jr. D13/168
 D592,607 S * 5/2009 Felegy, Jr. D13/168
 D592,608 S 5/2009 Felegy et al.
 D592,611 S 5/2009 Altonen et al.
 D596,143 S 7/2009 Felegy et al.
 D604,702 S * 11/2009 Felegy, Jr. D13/168
 D606,030 S 12/2009 Felegy et al.
 D606,500 S 12/2009 Snyder et al.
 D611,431 S * 3/2010 Snyder D13/168
 D611,915 S * 3/2010 Felegy, Jr. D13/168
 D616,835 S * 6/2010 Felegy, Jr. D13/168
 D619,106 S * 7/2010 Felegy, Jr. D13/168
 D624,880 S * 10/2010 Felegy, Jr. D13/168
 D631,854 S * 2/2011 Blair D13/168
 D631,856 S 2/2011 Altonen et al.
 D632,263 S 2/2011 Lin et al.
 D633,874 S 3/2011 Feldstein et al.
 D638,375 S 5/2011 Clymer et al.
 D638,805 S 5/2011 Clymer et al.
 D638,806 S 5/2011 Kim et al.
 D641,718 S 7/2011 Sakai
 D646,232 S * 10/2011 Felegy, Jr. D13/168
 D649,123 S 11/2011 Jacoby et al.
 D649,124 S * 11/2011 Jacoby D13/168
 D661,664 S 6/2012 Felegy et al.
 D687,390 S 8/2013 McDonald et al.
 D692,398 S * 10/2013 Felegy, Jr. D13/168
 D694,198 S * 11/2013 Felegy, Jr. D13/168
 D703,623 S 4/2014 Altonen et al.
 D704,152 S * 5/2014 Altonen D13/168
 D704,153 S 5/2014 Altonen et al.
 D711,838 S 8/2014 Spira

D713,360 S * 9/2014 Spira D13/168
 D713,361 S 9/2014 Spira
 D722,982 S 2/2015 Lind et al.
 D733,668 S 7/2015 Altonen et al.
 D736,718 S 8/2015 Spira
 D737,222 S 8/2015 Altonen et al.
 D737,223 S * 8/2015 Altonen D13/168
 D737,224 S 8/2015 Spira
 D738,320 S 9/2015 Altonen et al.
 D738,321 S * 9/2015 Spira D13/168
 D738,328 S 9/2015 Altonen et al.
 D739,830 S * 9/2015 Spira D13/168
 9,135,812 B1 * 9/2015 Carley H01R 33/94
 2005/0231134 A1 * 10/2005 Sid H05B 37/0272
 315/294
 2008/0111491 A1 * 5/2008 Spira H05B 39/088
 315/158
 2009/0251352 A1 * 10/2009 Altonen H01H 9/025
 341/176
 2011/0266122 A1 11/2011 Zaharchuk et al.
 2011/0279300 A1 11/2011 Mosebrook
 2012/0013450 A1 1/2012 Lee et al.

OTHER PUBLICATIONS

U.S. Appl. No. 29/535,125, Aug. 4, 2015, Altonen et al.
 U.S. Appl. No. 29/535,100, Aug. 4, 2015, Altonen et al.
 U.S. Appl. No. 29/534,802, Jul. 31, 2015, Altonen et al.
 U.S. Appl. No. 29/534,805, Jul. 31, 2015, Altonen et al.
 U.S. Appl. No. 29/533,925, Jul. 23, 2015, Altonen et al.
 U.S. Appl. No. 29/533,927, Jul. 23, 2015, Altonen et al.
 U.S. Appl. No. 29/533,935, Jul. 23, 2015, Altonen et al.
 U.S. Appl. No. 29/531,853, Jun. 30, 2015, Altonen et al.
 U.S. Appl. No. 29/531,858, Jun. 30, 2015, Altonen et al.
 U.S. Appl. No. 29/531,864, Jun. 30, 2015, Altonen et al.
 U.S. Appl. No. 29/536,541, Aug. 18, 2015, Joel S. Spira.
 U.S. Appl. No. 29/534,799, Jul. 31, 2015, Joel S. Spira.
 U.S. Appl. No. 29/531,871, Jun. 30, 2015, Joel S. Spira.
 U.S. Appl. No. 29/537,592, Aug. 27, 2015, Joel S. Spira.

* cited by examiner

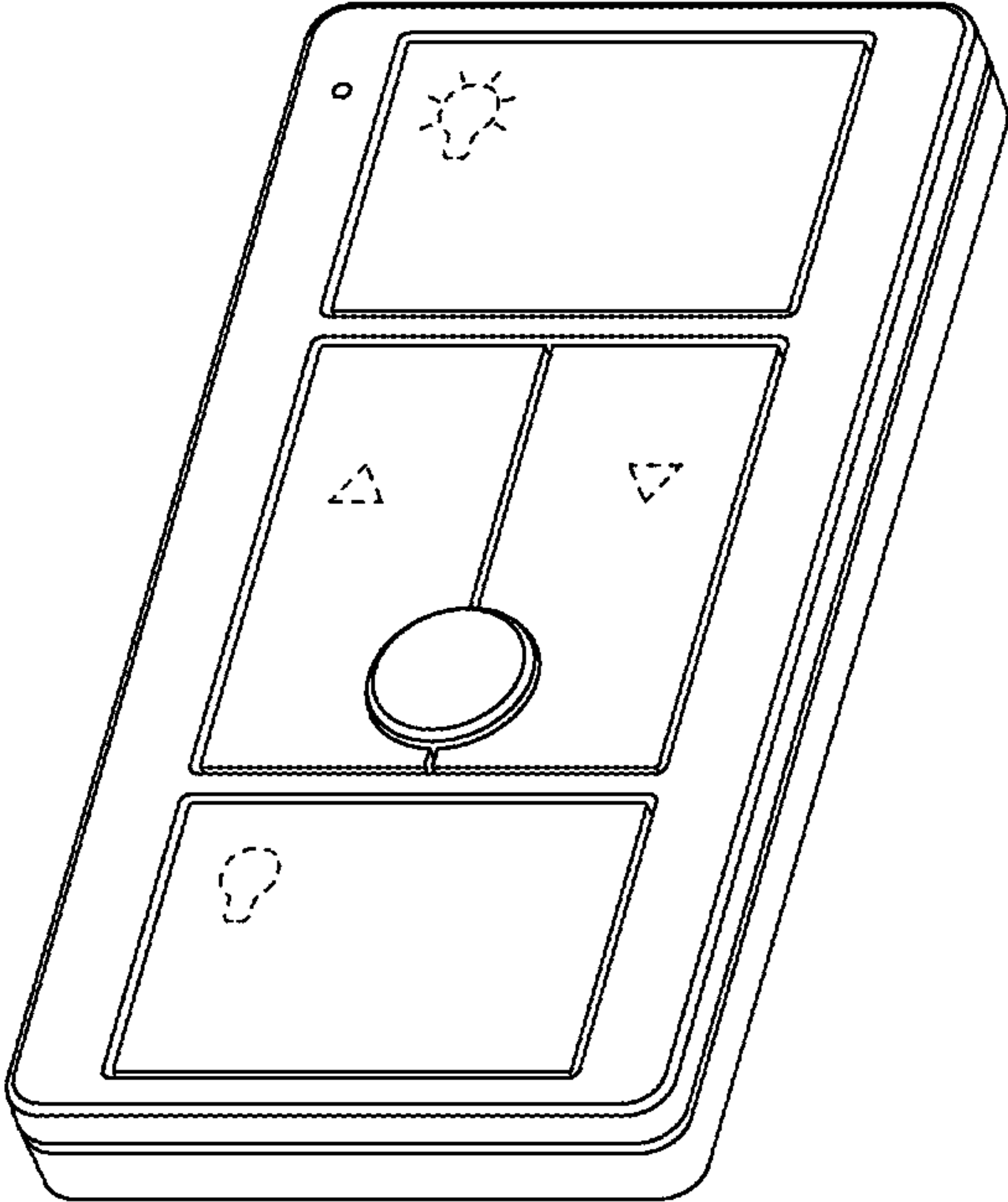


Fig. 1

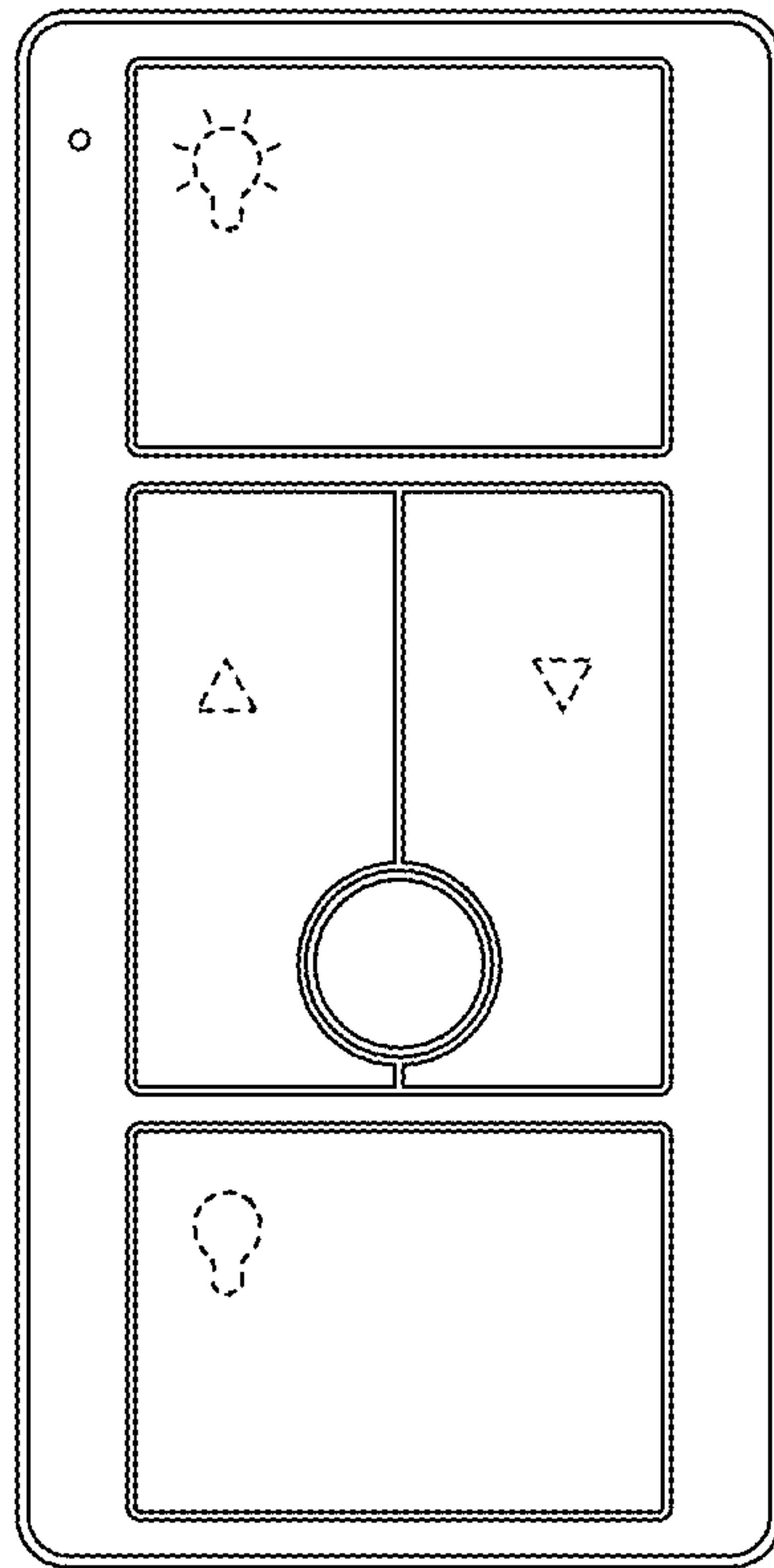


Fig. 2

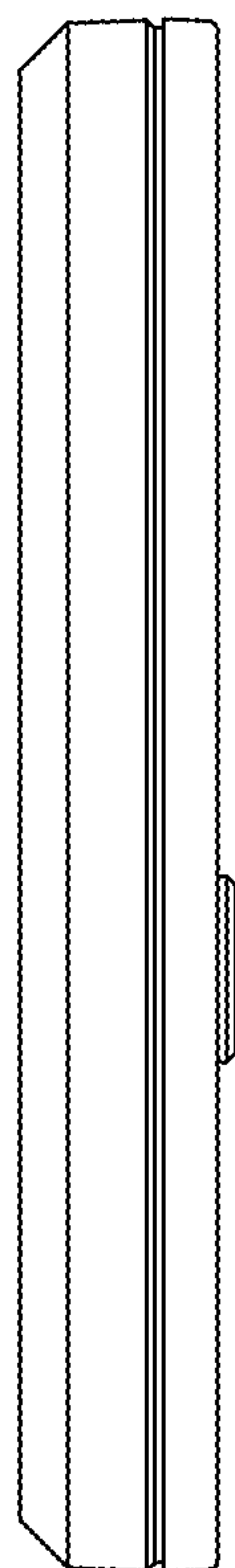


Fig. 3

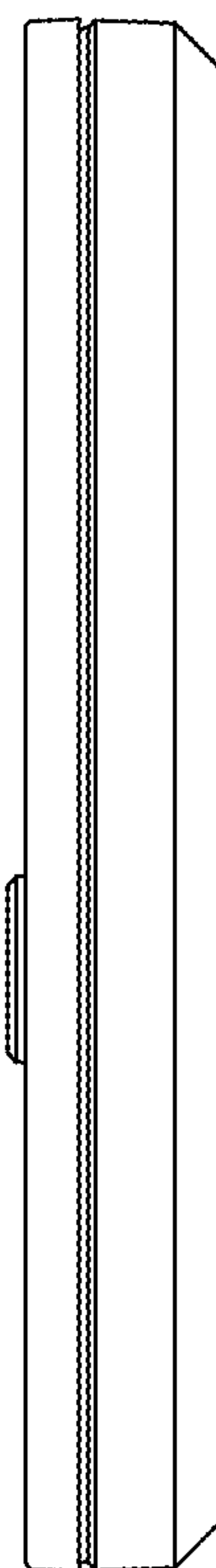


Fig. 4

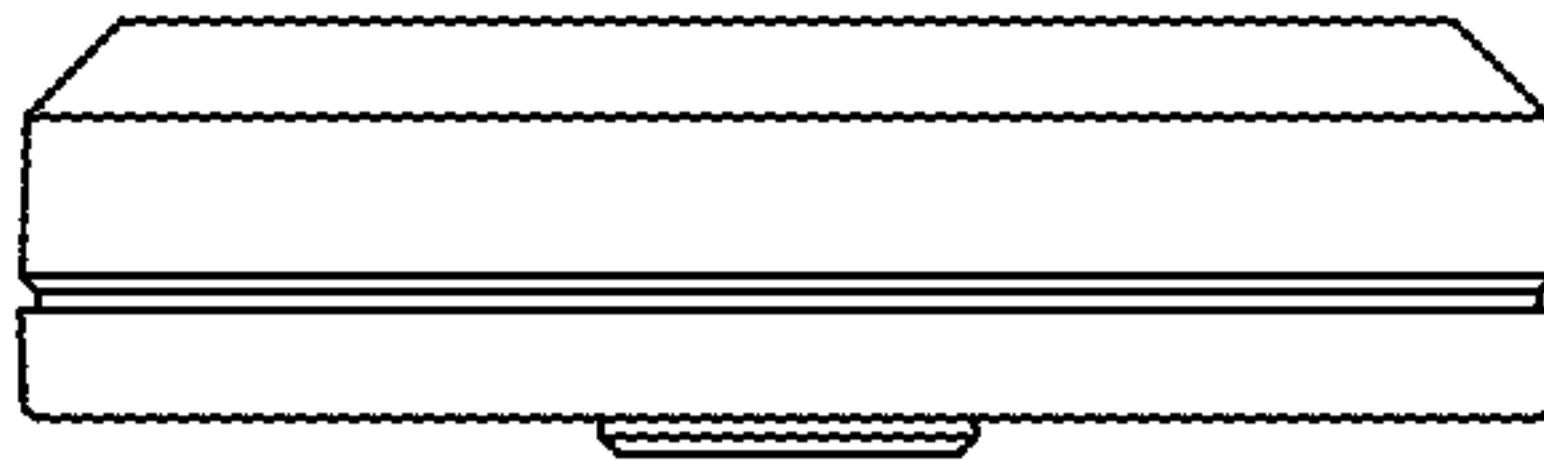


Fig. 5

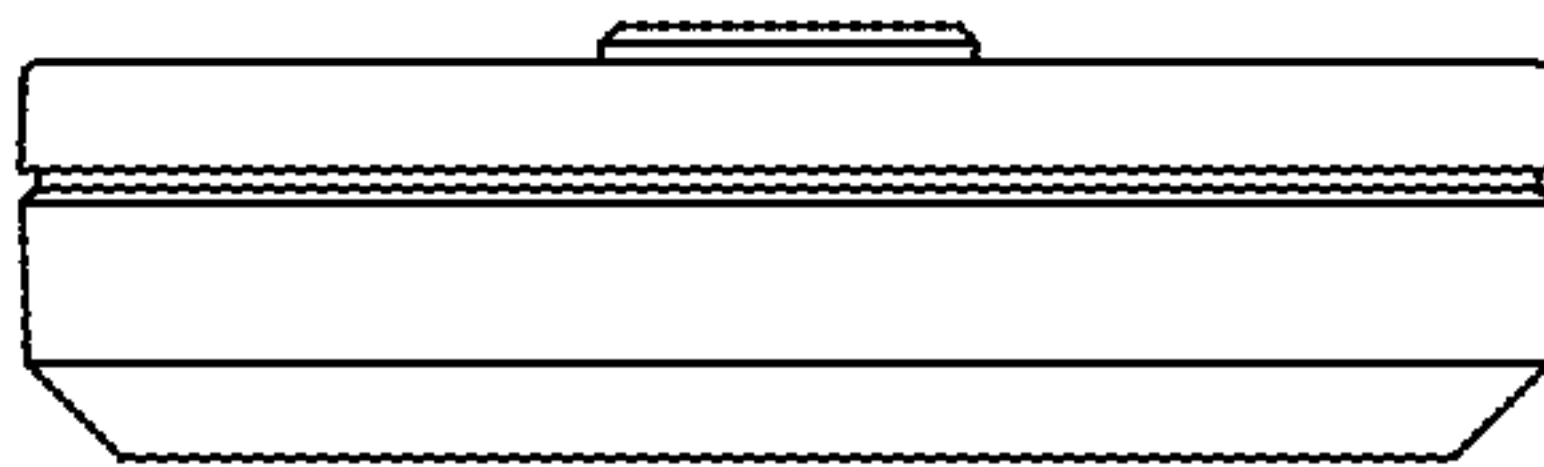


Fig. 6

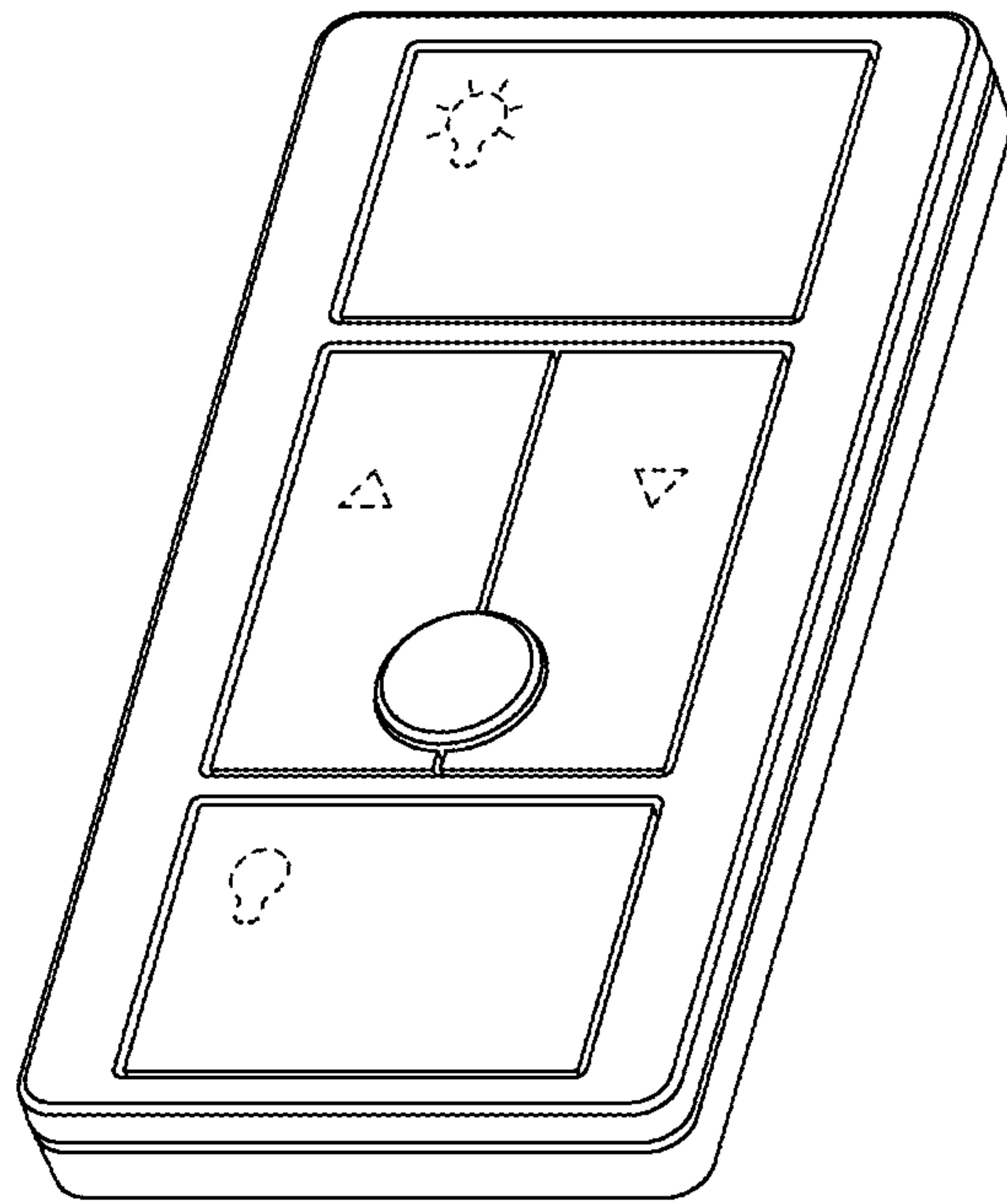


Fig. 7

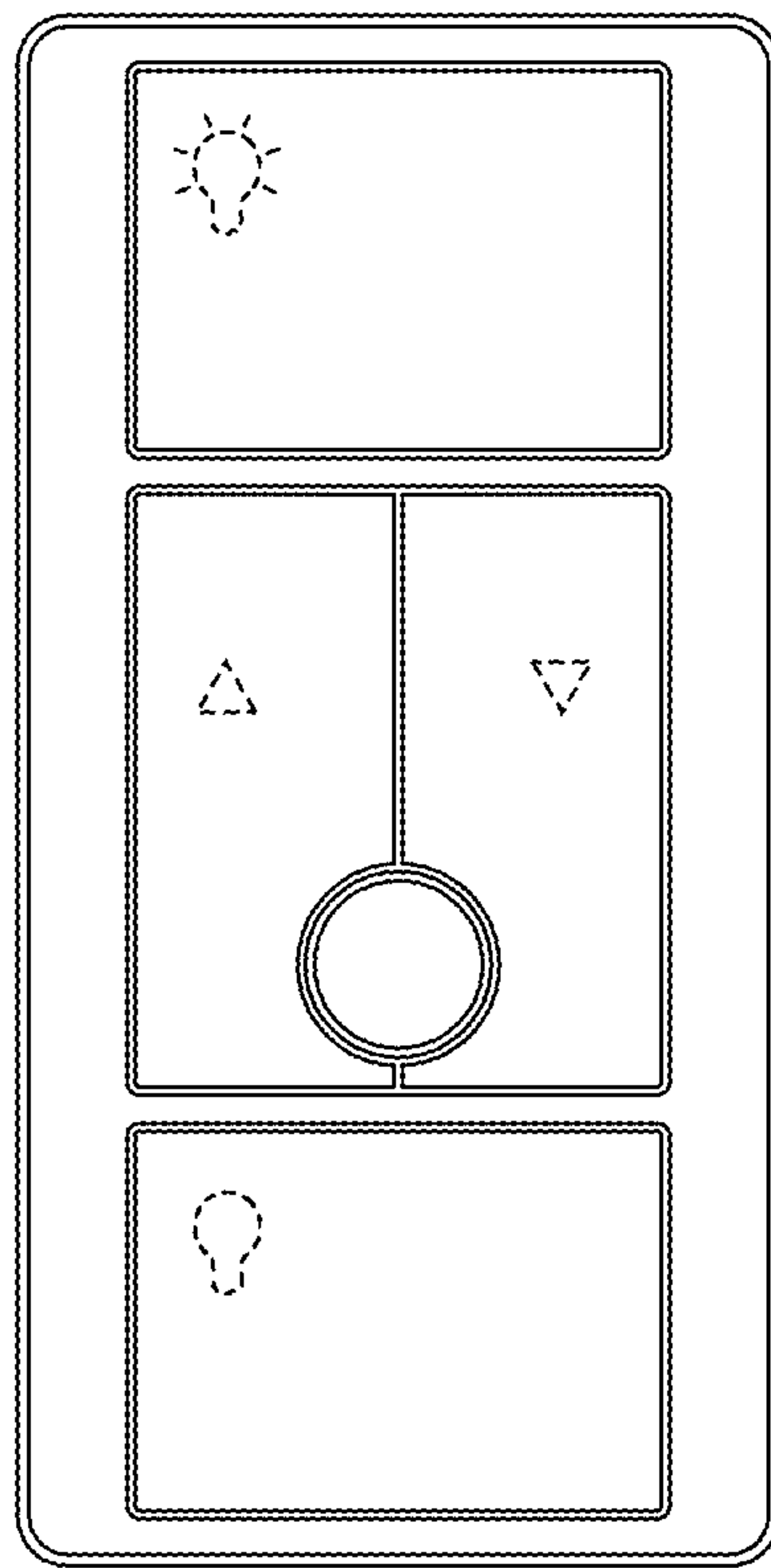


Fig. 8

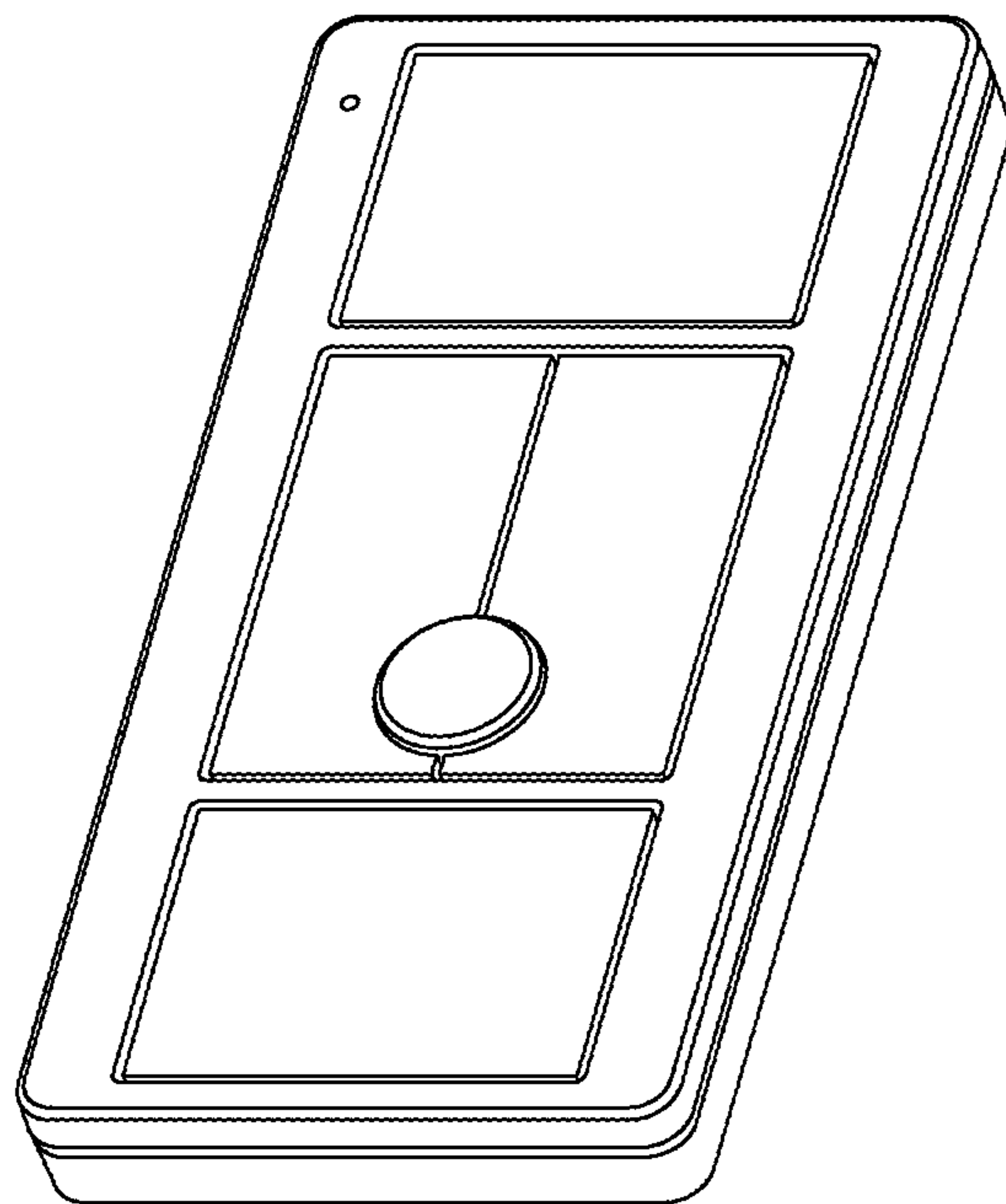


Fig. 9

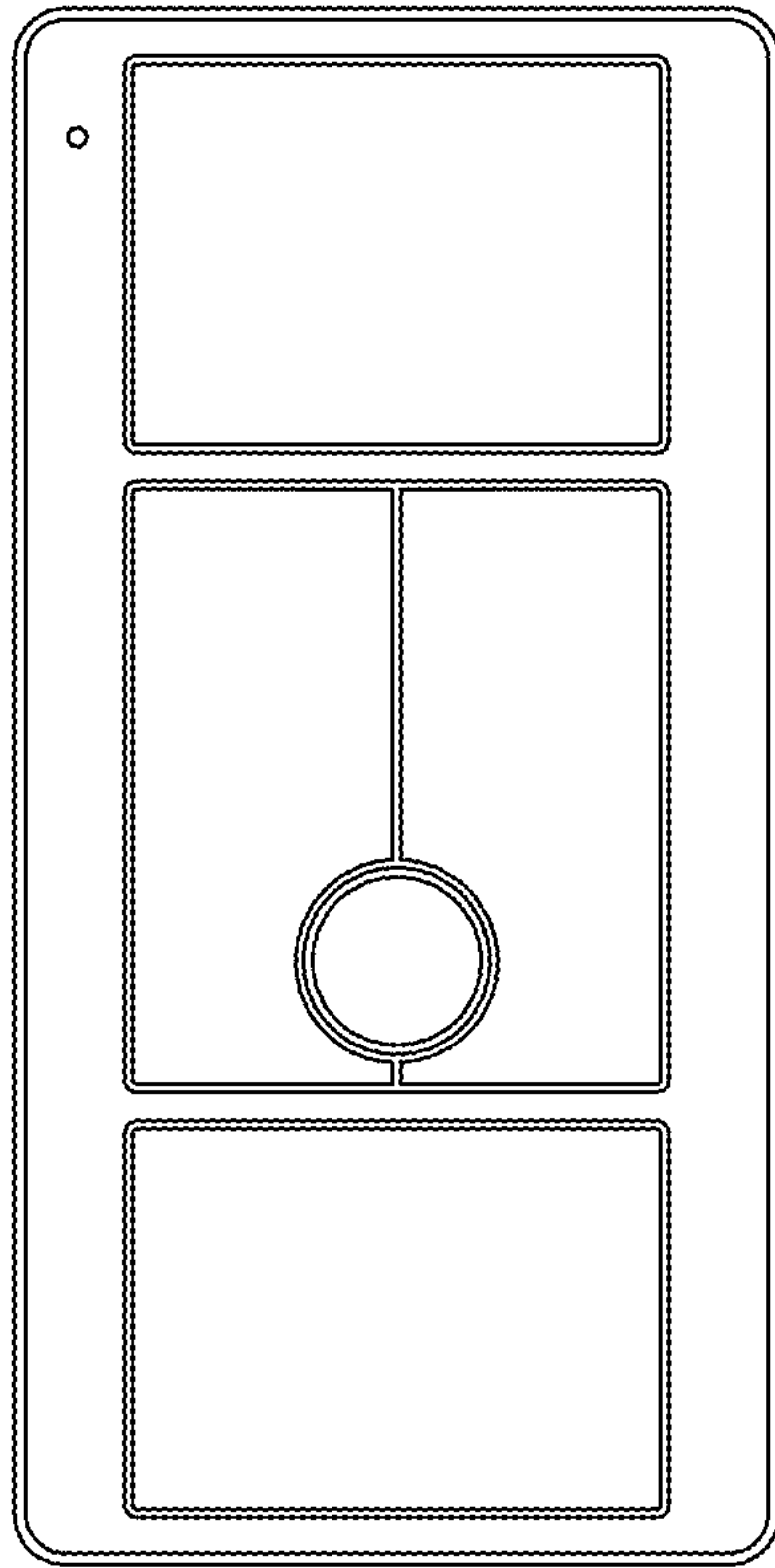


Fig. 10

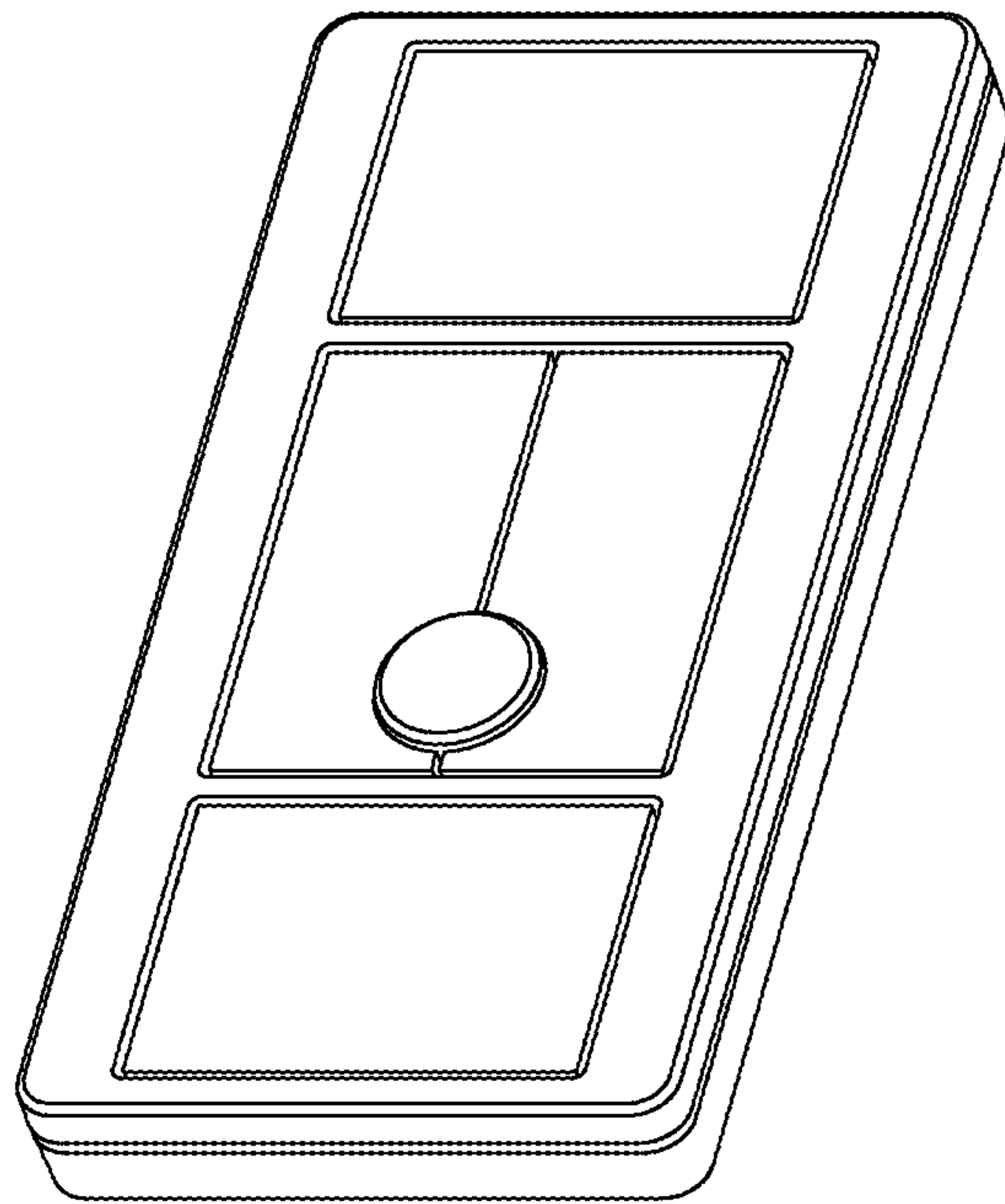


Fig. 11

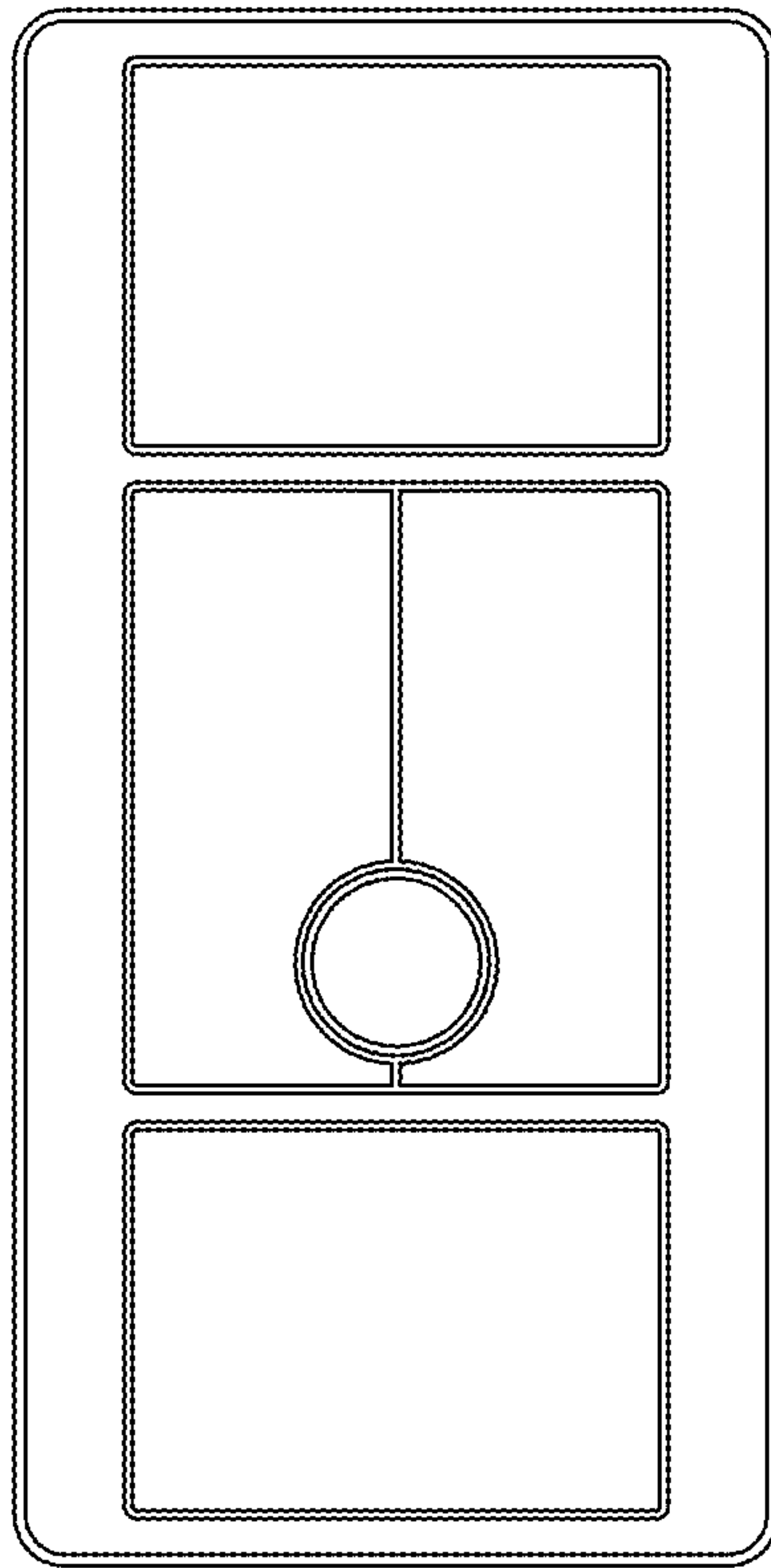


Fig. 12