



US00D754616S

(12) **United States Design Patent**
Ewringmann et al.

(10) **Patent No.:** **US D754,616 S**
(45) **Date of Patent:** **** Apr. 26, 2016**

(54) **CONTROL PANEL FOR ROAD PAVING MACHINES**

(74) *Attorney, Agent, or Firm* — Brooks Kushman P.C.

(71) Applicant: **JOSEPH VOEGELE AG**,
Ludwigshafen/Rhein (DE)

(57) **CLAIM**

The ornamental design for control panel for road paving machines, as shown and described.

(72) Inventors: **Ulrich Ewringmann**, Pocking (DE);
Boris Eickhoff, Munich (DE)

(73) Assignee: **Joseph Voegele AG**,
Ludwigshafen/Rhein (DE)

DESCRIPTION

(**) Term: **14 Years**

FIG. 1 shows a view onto the top side of an embodiment;
FIG. 2 shows a view onto the front side of the embodiment of FIG. 1;
FIG. 3 shows a view onto the bottom side of the embodiment of FIG. 1;
FIG. 4 shows a view onto the rear side of the embodiment of FIG. 1;
FIG. 5 shows a view onto the left side of the embodiment of FIG. 1;
FIG. 6 shows a view onto the right side of the embodiment of FIG. 1;
FIG. 7 shows a perspective view onto the front side, right side and top side of the embodiment of FIG. 1;
FIG. 8 show a further perspective view onto the rear side, right side and bottom side of the embodiment of FIG. 1;
FIG. 9 shows a view onto the top side of another embodiment;
FIG. 10 shows a view onto the front side of the embodiment of FIG. 9;
FIG. 11 shows a view onto the bottom side of the embodiment of FIG. 9;
FIG. 12 shows a view onto the rear side of the embodiment of FIG. 9;
FIG. 13 shows a view onto the left side of the embodiment of FIG. 9;
FIG. 14 shows a view onto the right side of the embodiment of FIG. 9;
FIG. 15 shows a perspective view onto the front side, right side and top side of the embodiment of FIG. 9; and,
FIG. 16 shows a further perspective view onto the rear side, right side and bottom side of the embodiment of FIG. 9.

(21) Appl. No.: **29/492,193**

(22) Filed: **May 29, 2014**

(30) **Foreign Application Priority Data**

Nov. 29, 2013 (EM) 001393011

(51) **LOC (10) Cl.** **13-03**

(52) **U.S. Cl.**
USPC **D13/164**

(58) **Field of Classification Search**
USPC D13/162, 164; D15/28
CPC B60R 11/02; B60R 11/0264; B60R 2011/001; B60R 2011/004; E02F 9/26; H05K 5/0017
See application file for complete search history.

(56) **References Cited**

U.S. PATENT DOCUMENTS

D444,750 S * 7/2001 Meinhardt D12/192
D525,212 S * 7/2006 Kim D13/162

(Continued)

FOREIGN PATENT DOCUMENTS

EM 001322689-0003 4/2012
EM 001322689-0004 4/2012

(Continued)

Primary Examiner — Selina Sikder

1 Claim, 16 Drawing Sheets



(56)

References Cited

U.S. PATENT DOCUMENTS

D525,409 S * 7/2006 Cantrill et al. D34/35
 D557,218 S * 12/2007 Ewringmann D13/164
 D557,221 S * 12/2007 Ewringmann D13/168
 D599,745 S * 9/2009 Yang D13/164
 D641,712 S * 7/2011 Berning et al. D13/164
 D642,133 S * 7/2011 Berning et al. D13/164
 D642,542 S * 8/2011 Berning et al. D13/164
 D689,028 S * 9/2013 Ewringmann D13/168
 D689,443 S * 9/2013 Ewringmann D13/168
 D706,308 S * 6/2014 Takahashi et al. D15/28
 9,078,342 B2 * 7/2015 Eul et al.
 D737,336 S * 8/2015 Ewringmann D15/28
 2006/0025914 A1 * 2/2006 Buschmann 701/50
 2013/0082161 A1 * 4/2013 Eul et al. 250/201.1

FOREIGN PATENT DOCUMENTS

EM 001322689-0005 4/2012
 EM 001322689-0006 4/2012
 EM 001322689-0007 4/2012
 EM 001322689-0008 4/2012
 EM 001322689-0010 4/2012
 EM 001322689-0011 4/2012
 EM 001322689-0012 4/2012
 EM 001322689-0013 4/2012
 EM 001289920-0001 7/2012
 EM 001289920-0002 7/2012
 EM 001289920-0003 7/2012
 EM 001289920-0004 7/2012
 EM 001289920-0005 7/2012
 EM 001289920-0006 7/2012
 EM 001289920-0007 7/2012
 EM 001289920-0008 7/2012

EM 001289920-0009 7/2012
 EM 001289920-0010 7/2012
 EM 001289920-0011 7/2012
 EM 001289920-0012 7/2012
 EM 001289920-0013 7/2012
 EM 001289920-0014 7/2012
 EM 001289920-0015 7/2012
 EM 001289920-0016 7/2012
 EM 001289920-0017 7/2012
 EM 001289920-0018 7/2012
 EM 001289920-0019 7/2012
 EM 001289920-0020 7/2012
 EM 001289920-0021 7/2012
 EM 001289920-0022 7/2012
 EM 001289920-0023 7/2012
 EM 001289920-0024 7/2012
 EM 001289920-0025 7/2012
 EM 001289920-0026 7/2012
 EM 001289920-0027 7/2012
 EM 001289920-0028 7/2012
 EM 001289920-0029 7/2012
 EM 001289920-0030 7/2012
 EM 001289920-0031 7/2012
 EM 001289920-0032 7/2012
 EM 001289920-0033 7/2012
 EM 001289920-0034 7/2012
 EM 001289920-0035 7/2012
 EM 001289920-0036 7/2012
 EM 001289920-0037 7/2012
 EM 001289920-0038 7/2012
 EM 001289920-0039 7/2012
 EM 001289920-0040 7/2012
 EM 001289920-0041 7/2012
 EM 001289920-0042 7/2012
 EM 001289920-0043 7/2012
 EM 001289920-0044 7/2012

* cited by examiner

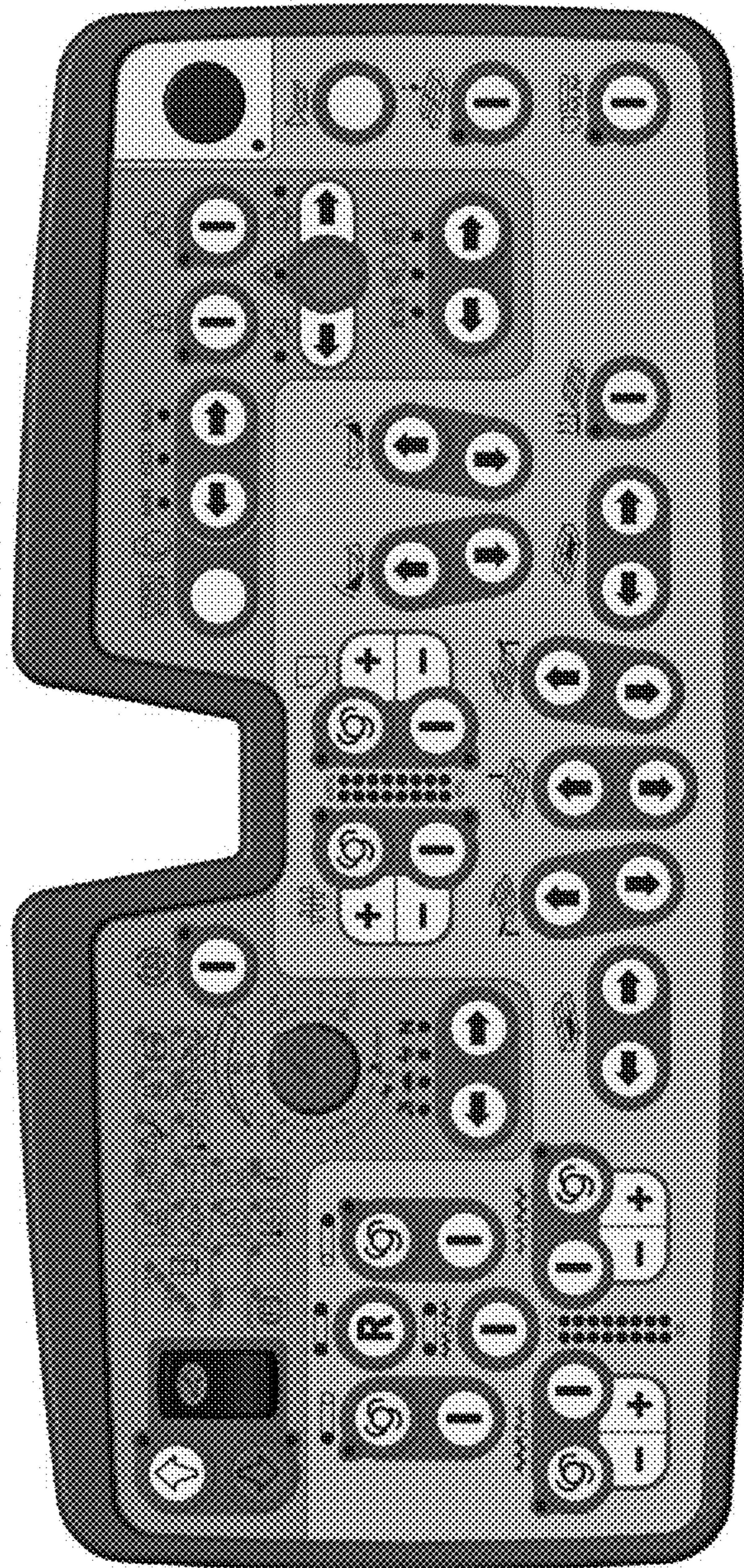


Fig. 1

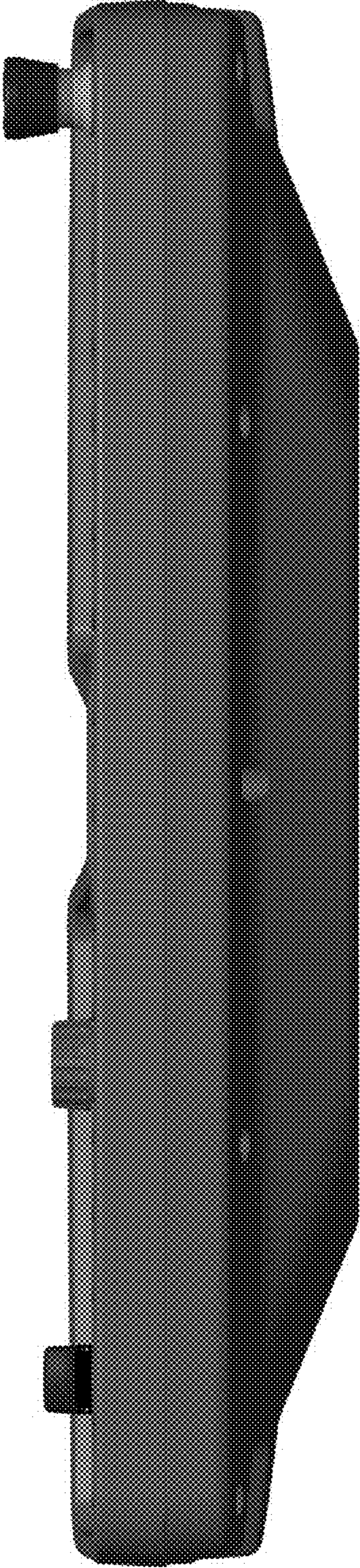


Fig. 2

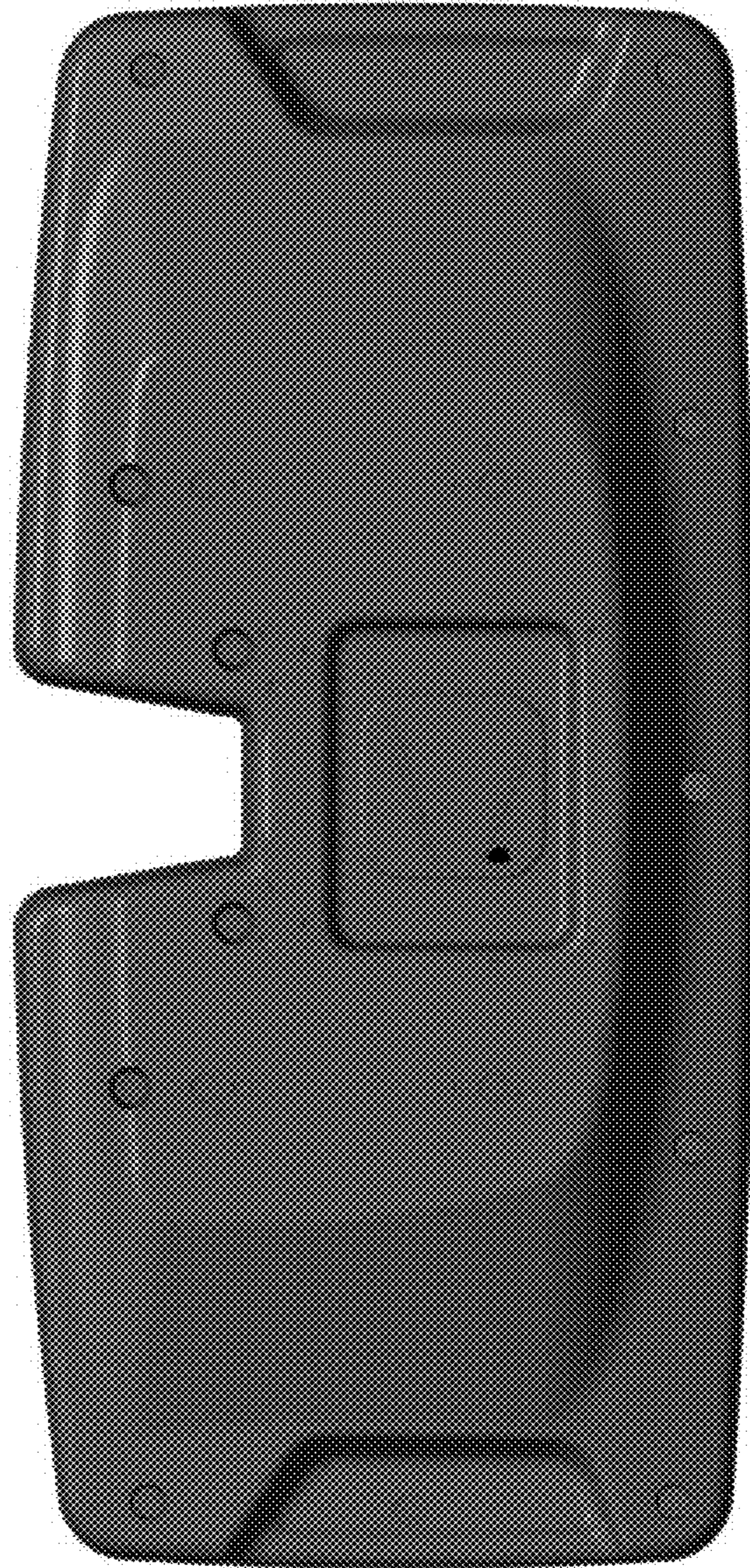


Fig. 3

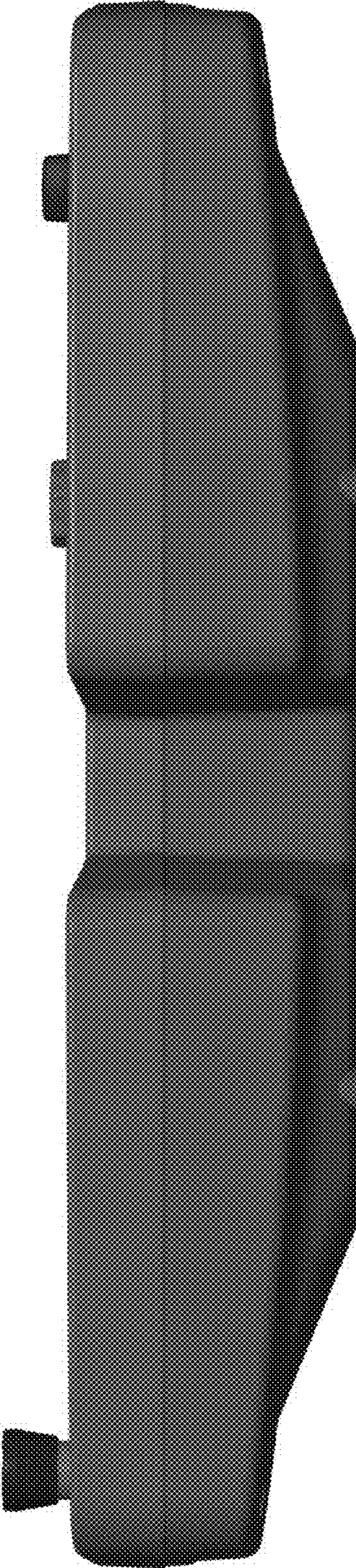


Fig. 4

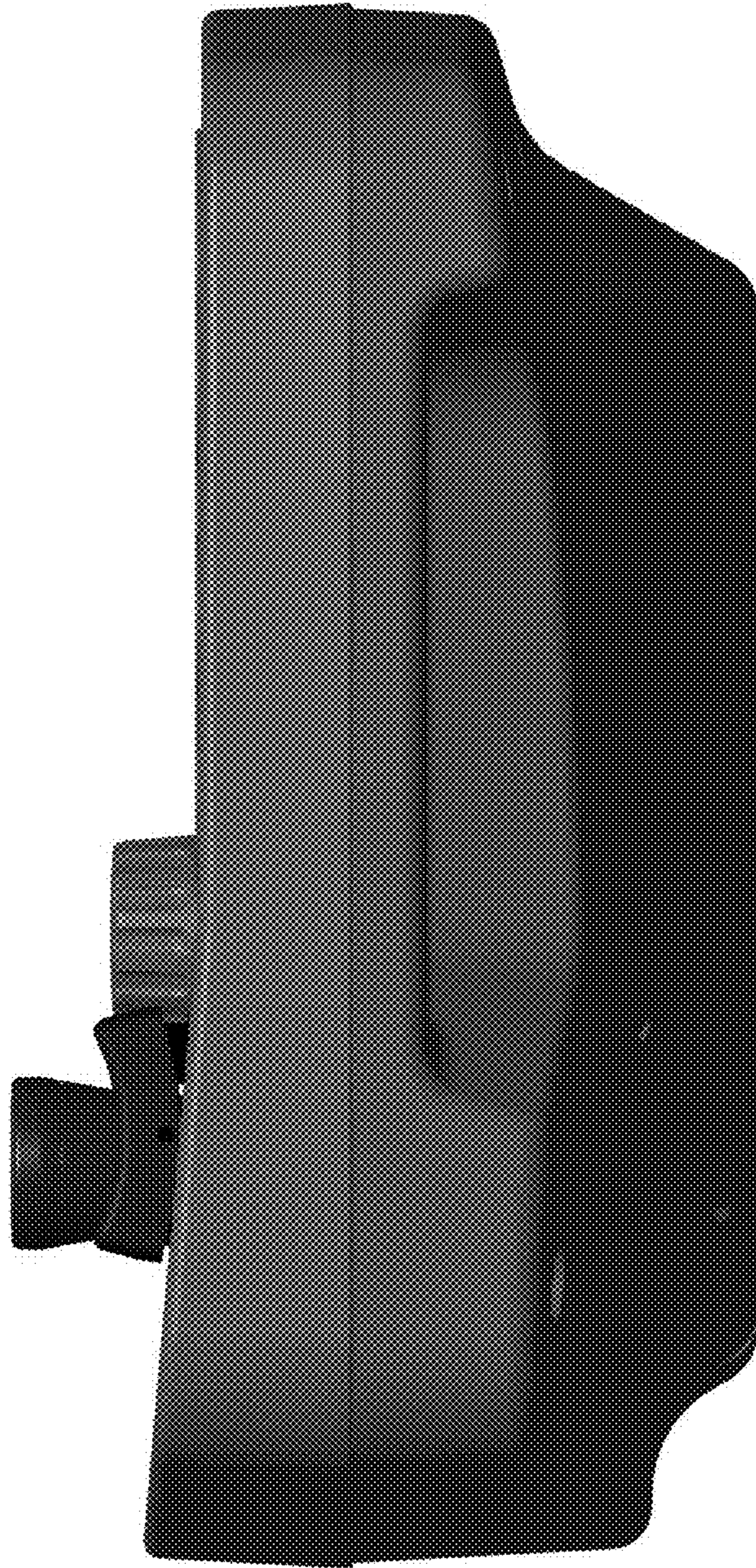


Fig. 5

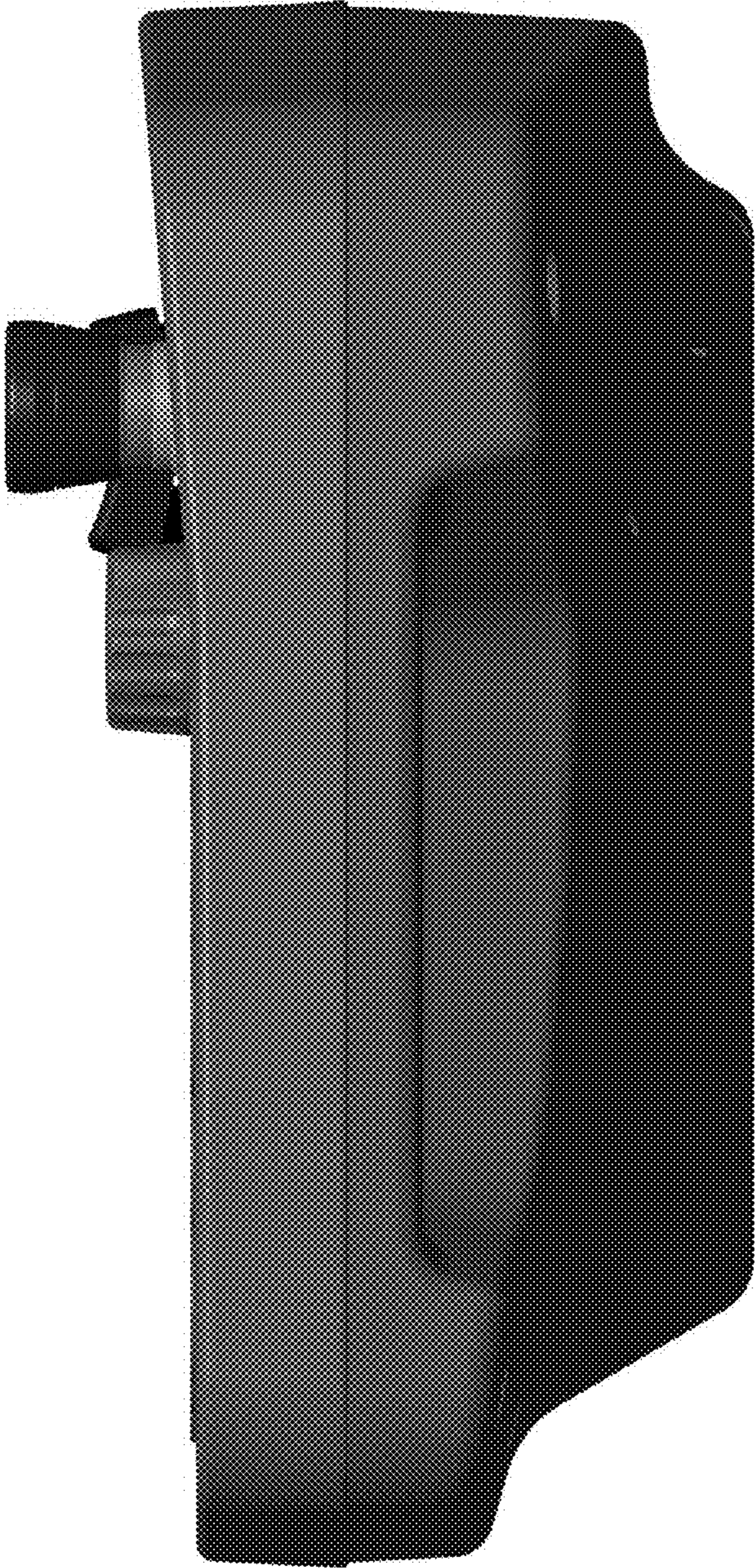


Fig. 6

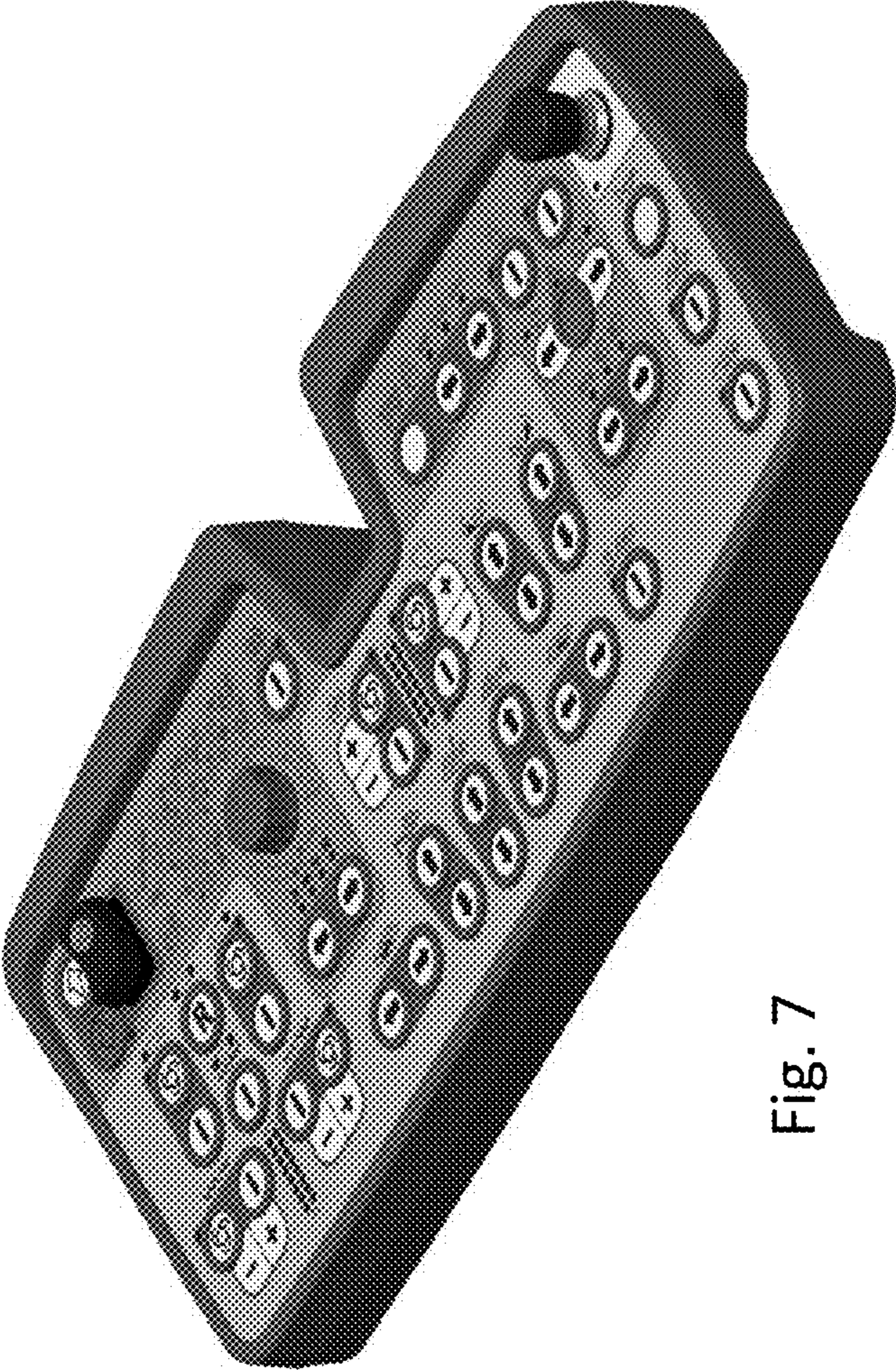


Fig. 7

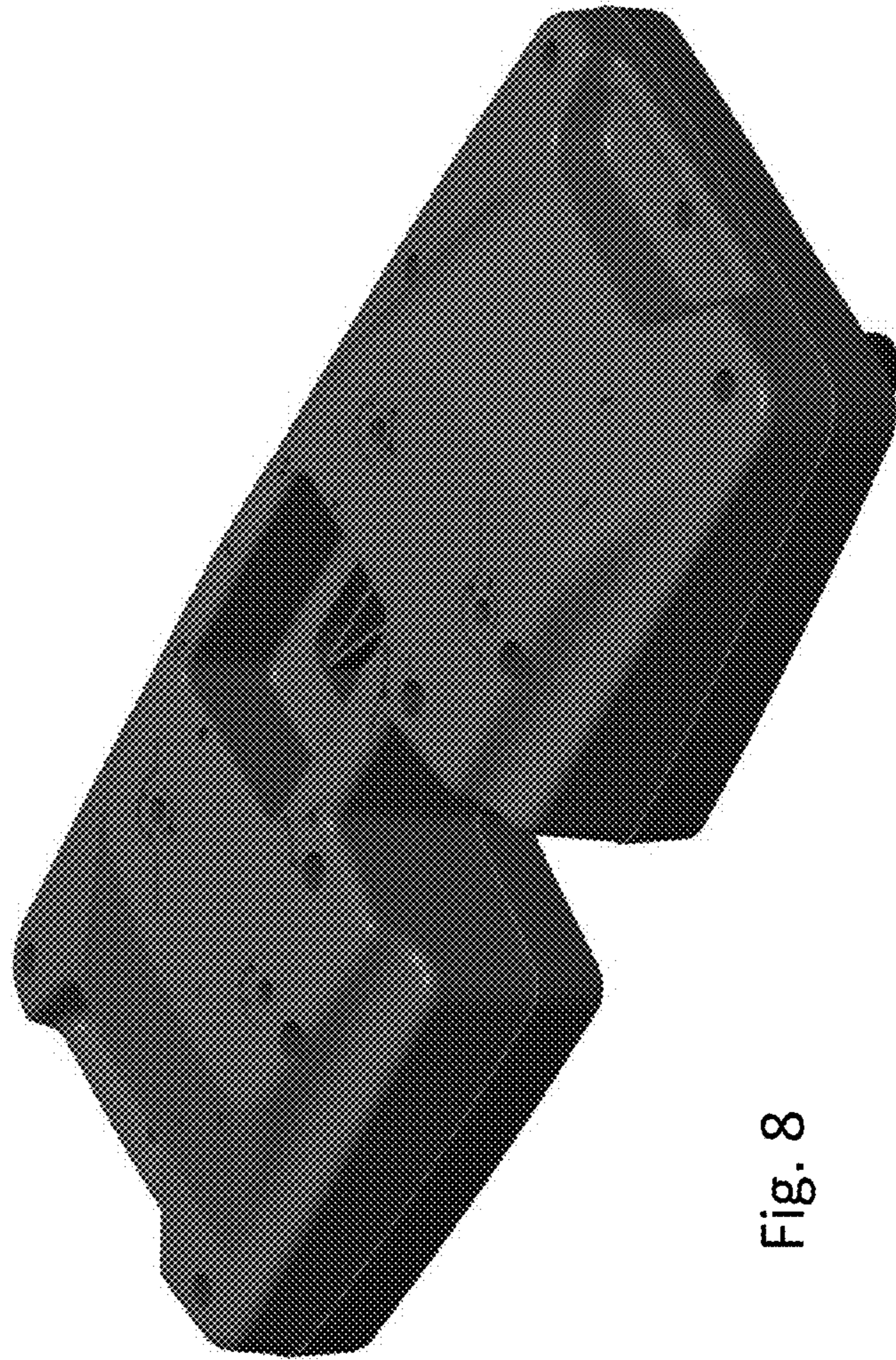


Fig. 8

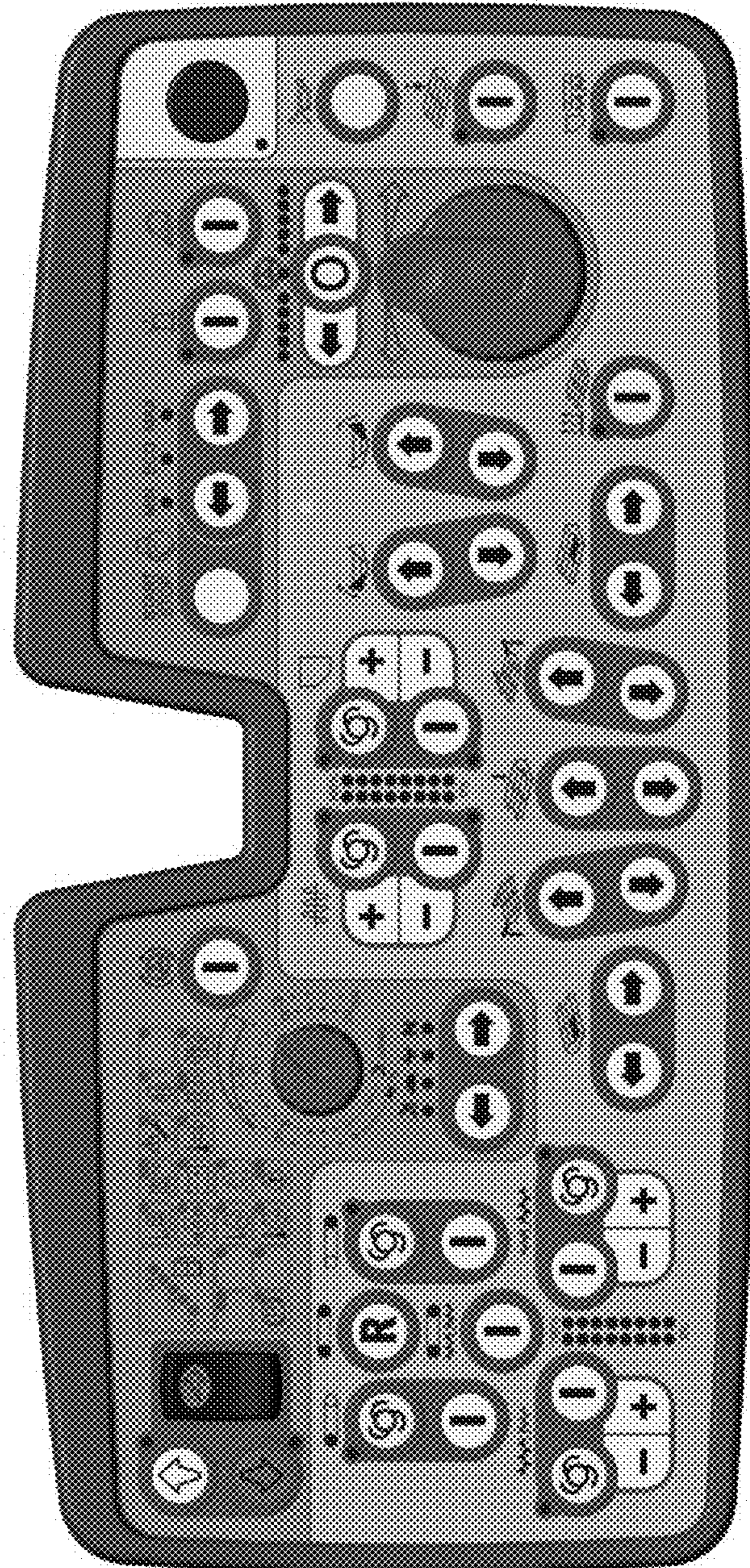


Fig. 9

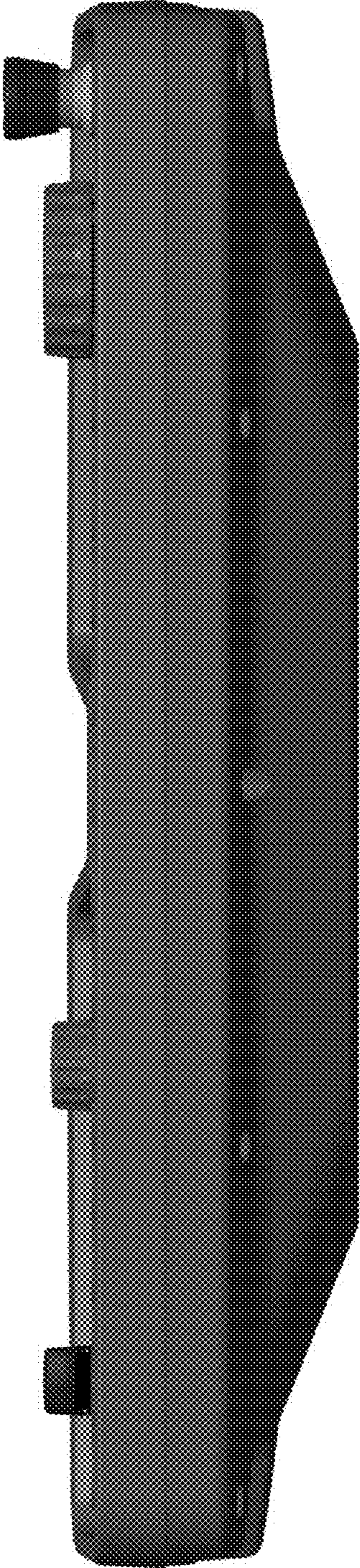


Fig. 10

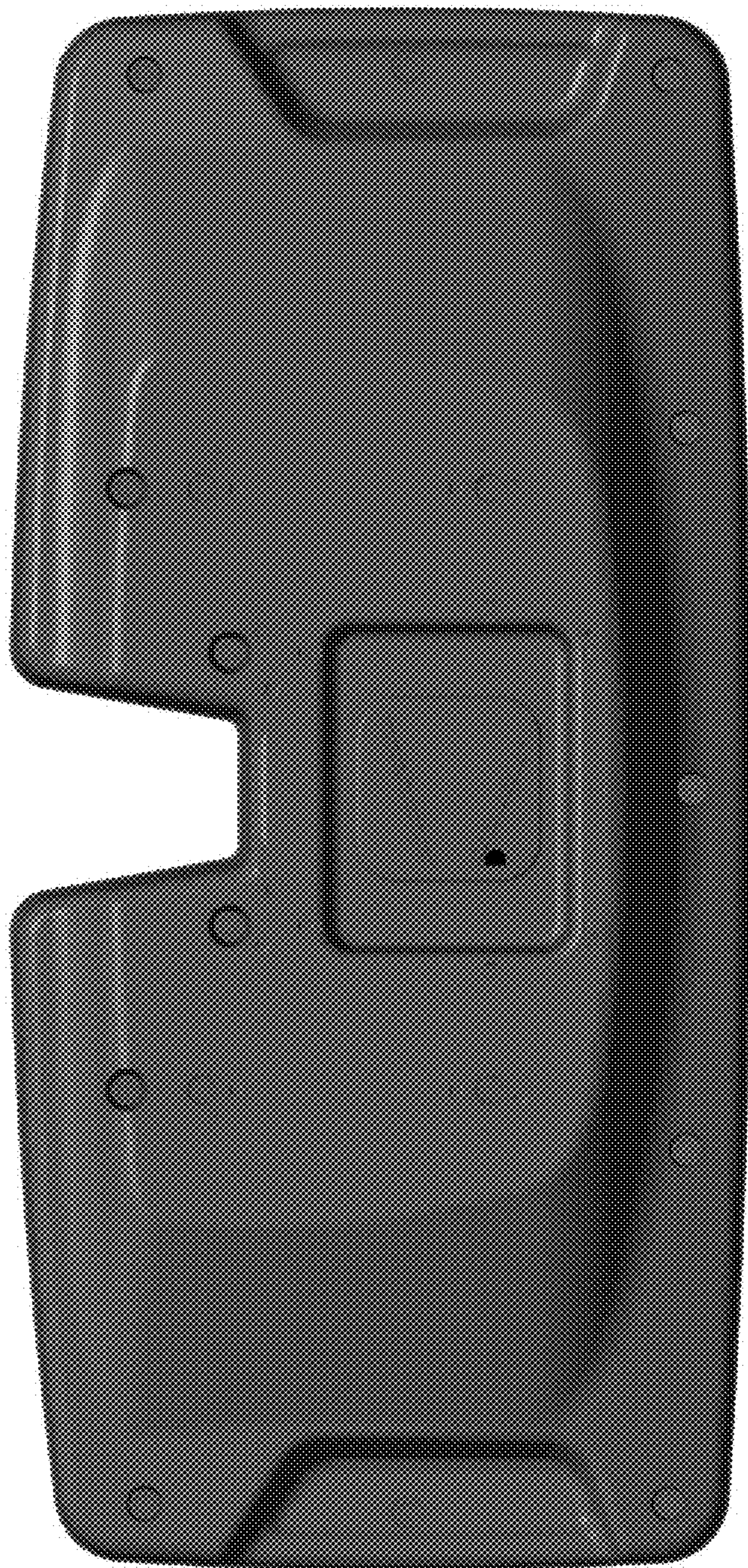


Fig. 11

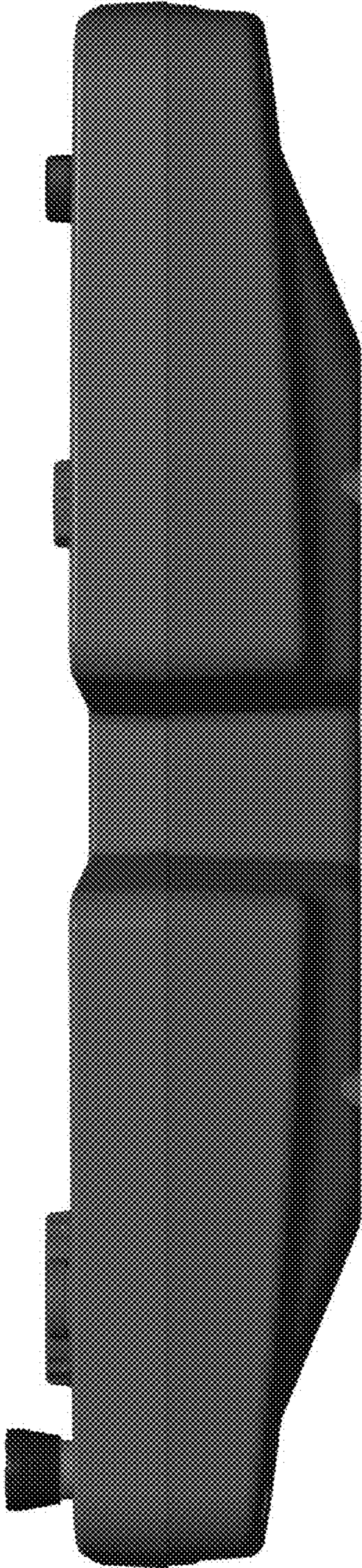


Fig. 12

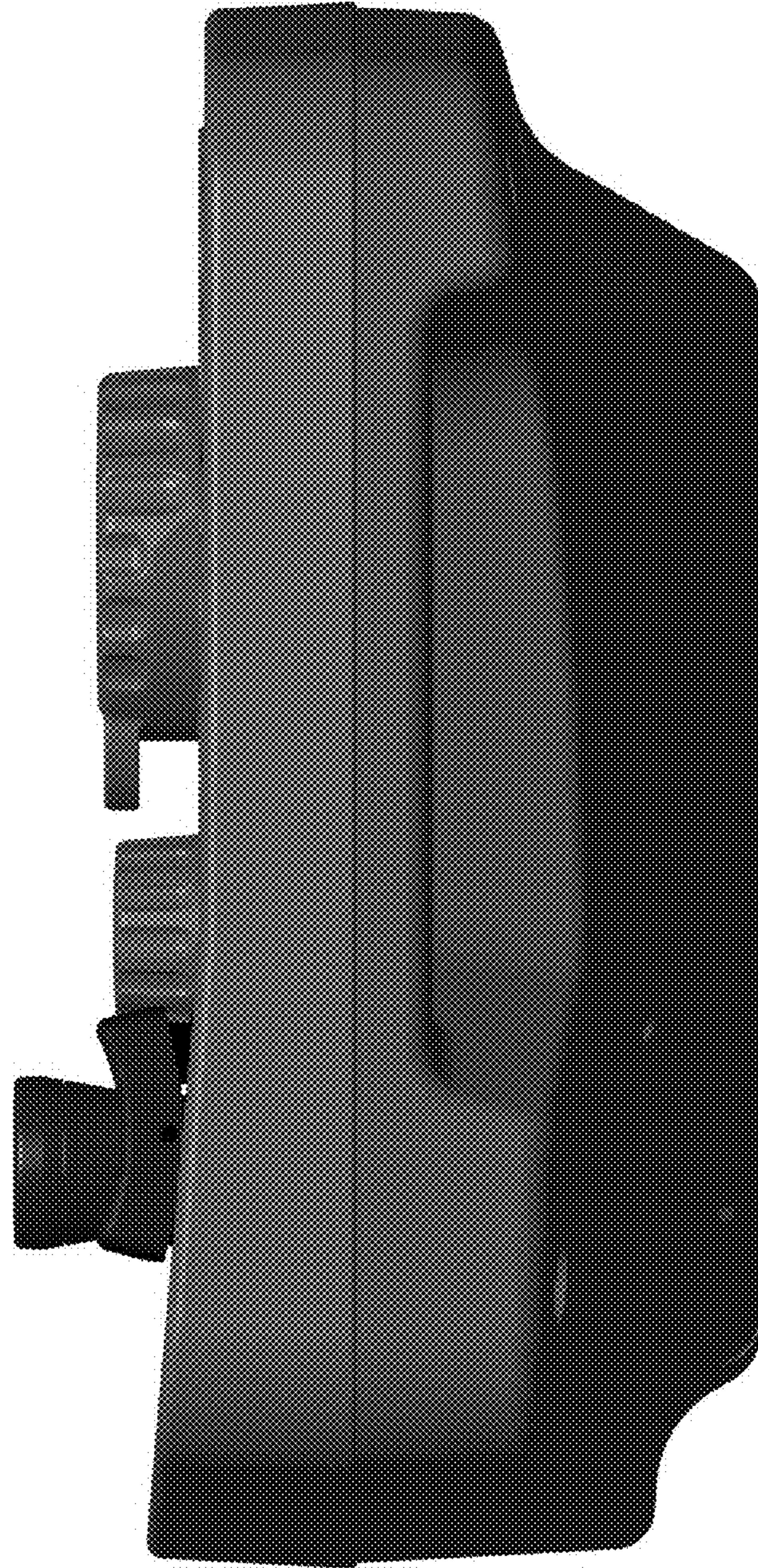


Fig. 13

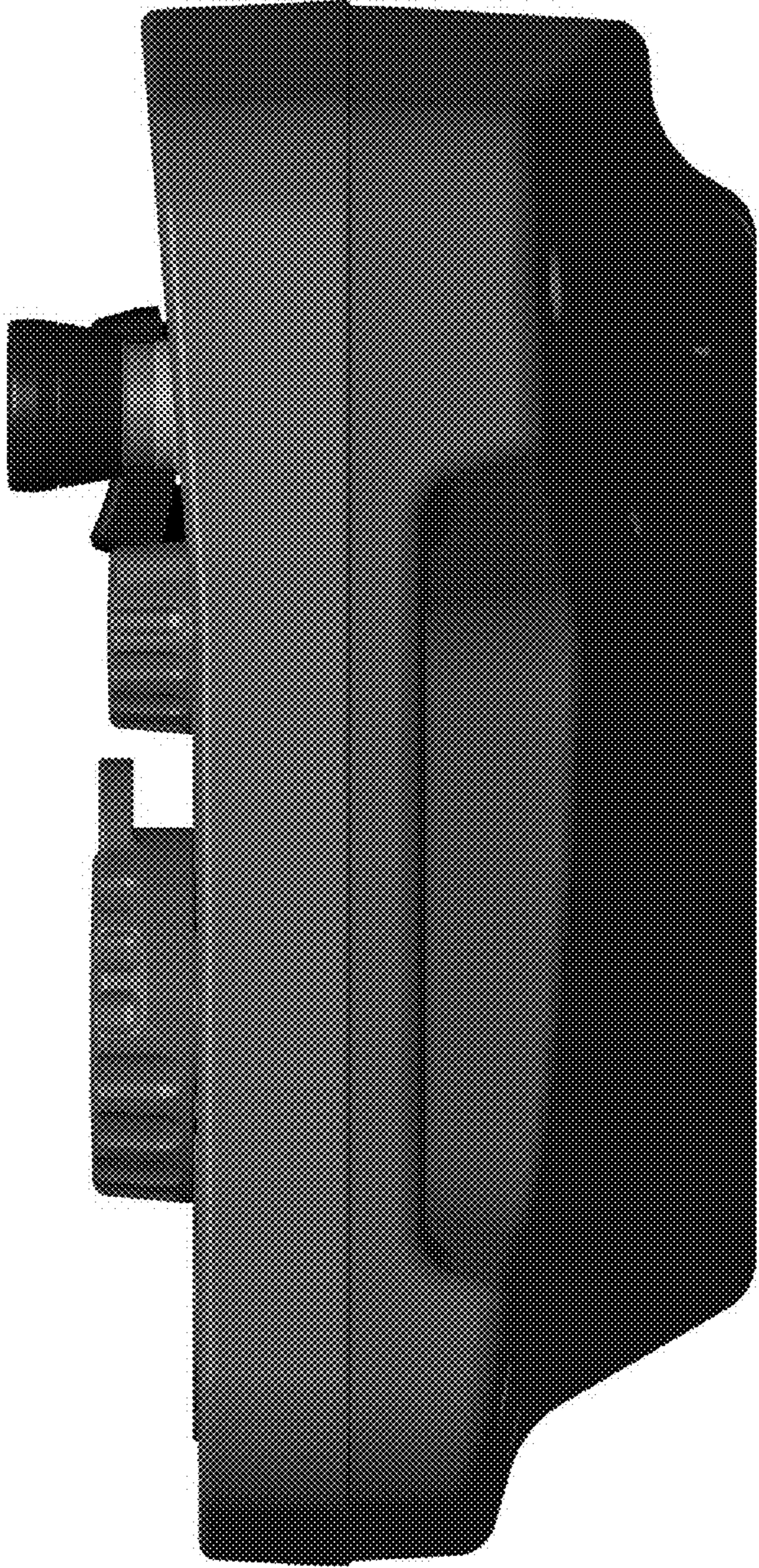


Fig. 14

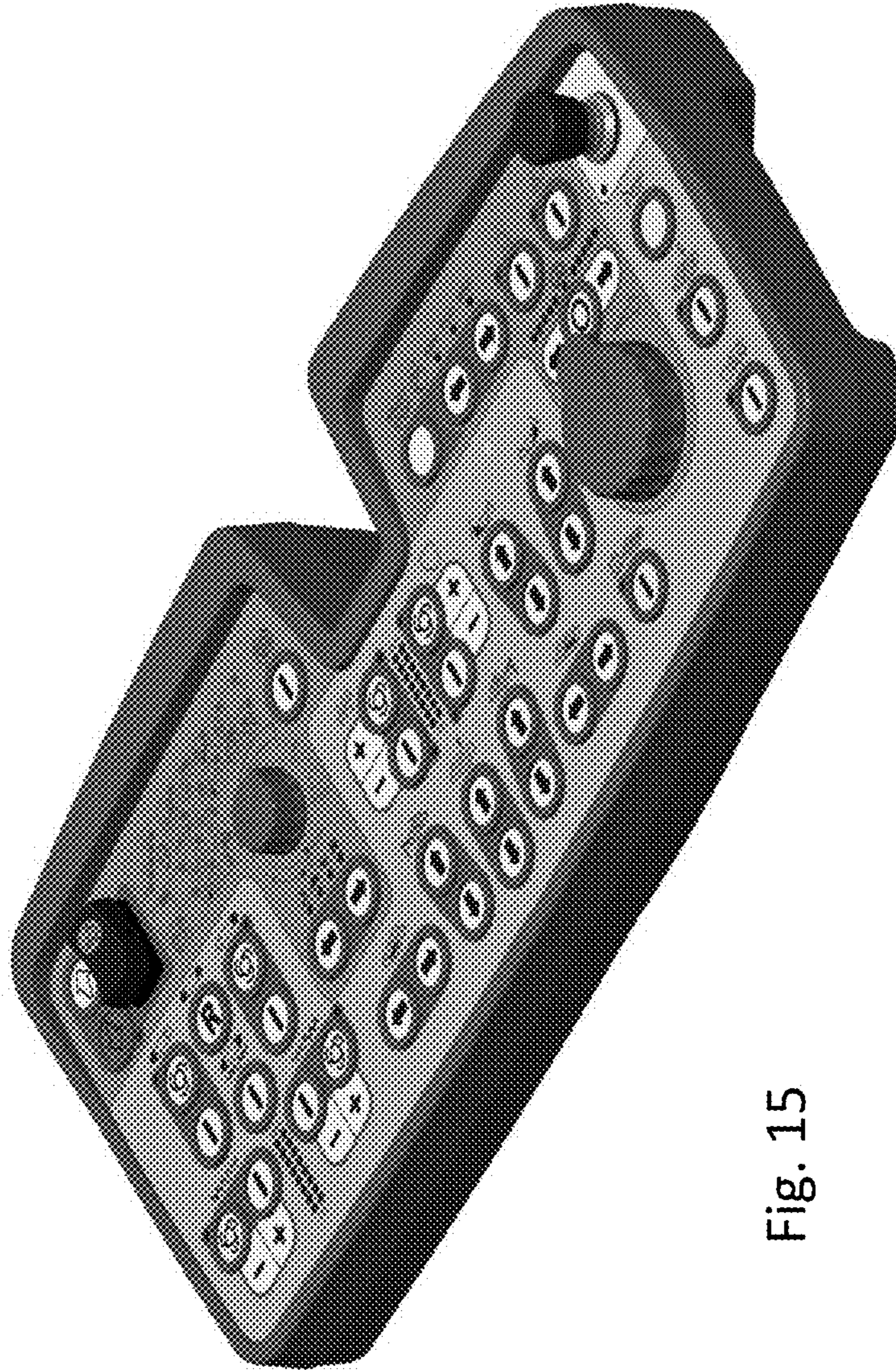


Fig. 15

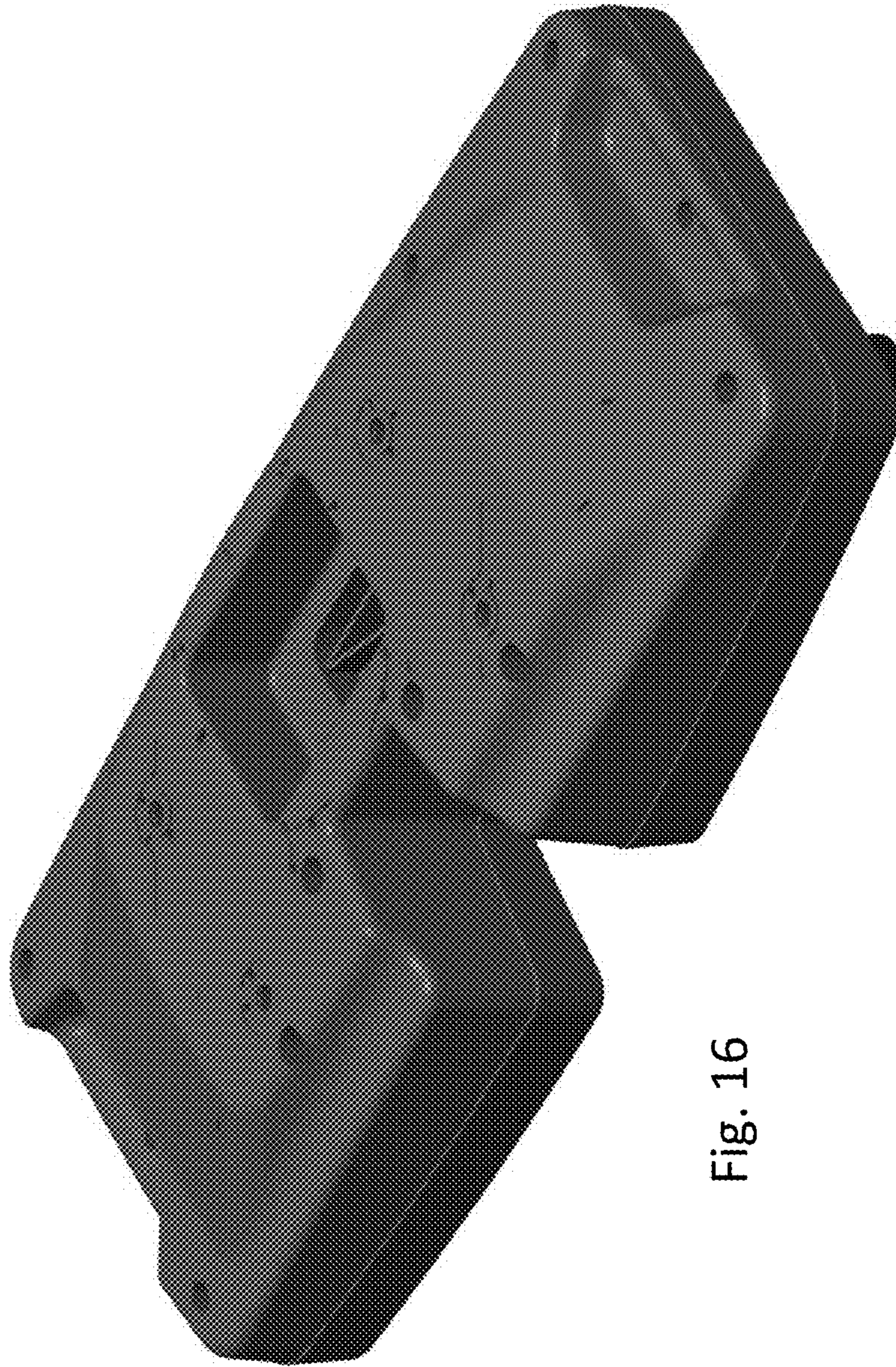


Fig. 16