



US00D754613S

(12) **United States Design Patent**
Downs et al.

(10) **Patent No.:** **US D754,613 S**
(45) **Date of Patent:** **** Apr. 26, 2016**

- (54) **CONTROLLER**
- (71) Applicant: **Aquion, Inc.**, Elk Grove Village, IL (US)
- (72) Inventors: **James J. Downs**, Bloomingdale, IL (US); **Gary F. Prokop**, Wheaton, IL (US)
- (73) Assignee: **Aquion, Inc.**, Elk Grove Village, IL (US)
- (**) Term: **14 Years**
- (21) Appl. No.: **29/497,481**
- (22) Filed: **Jul. 24, 2014**
- (51) **LOC (10) Cl.** **13-03**
- (52) **U.S. Cl.**
USPC **D13/162**; D10/96
- (58) **Field of Classification Search**
USPC D13/158, 162, 177, 184; D10/40, 46, D10/96
CPC ... B01D 27/101; B01D 61/12; B01J 49/0095; C02F 1/008
See application file for complete search history.

(56) **References Cited**

U.S. PATENT DOCUMENTS

- 5,256,283 A * 10/1993 Buettner B01J 49/0095 210/190
- 5,676,824 A * 10/1997 Jeon B01D 61/04 210/138
- 5,855,796 A * 1/1999 Joung B01D 61/10 210/248
- 6,129,836 A * 10/2000 Grayson B01J 49/0086 137/398
- 6,136,196 A * 10/2000 Weinberger B01D 61/10 137/597
- 6,206,042 B1 * 3/2001 Channell B01J 49/0095 137/271
- D449,280 S * 10/2001 Piacenza D13/162
- 6,312,589 B1 * 11/2001 Jarocki B67D 1/0015 210/103
- 6,436,282 B1 * 8/2002 Gundrum B01D 61/08 210/117
- D513,497 S * 1/2006 Whitehouse D13/162
- D530,287 S * 10/2006 Stolpe D13/162

- 7,563,361 B2 * 7/2009 Gruett B01J 49/0095 210/138
- 7,638,042 B2 * 12/2009 Astle B01D 27/101 210/100
- D631,446 S * 1/2011 Lanfear D13/162
- 7,991,490 B2 * 8/2011 Kargenian G06F 19/3406 700/17
- D662,845 S * 7/2012 Guerrero D10/96
- D669,440 S * 10/2012 Wu D13/162
- D710,312 S * 8/2014 Branson D13/162
- 2006/0201857 A1 * 9/2006 Lin C02F 1/008 210/85
- 2011/0089113 A1 * 4/2011 Stewart B01J 47/14 210/662
- 2013/0105403 A1 * 5/2013 Chen E04H 4/1281 210/739
- 2013/0240446 A1 * 9/2013 Pavan B01D 61/12 210/650
- 2015/0261198 A1 * 9/2015 Rice H04B 7/1851 700/83

OTHER PUBLICATIONS

Panasonic RPS Specification, Position Sensors/EVWAE/D, 10 mm GS Sensors, Oct. 2012, 2 pages.
Pentair ProFloSE Upflow Brining Service Manual, May 2005, 33 pages.

* cited by examiner

Primary Examiner — Selina Sikder

(74) *Attorney, Agent, or Firm* — Banner & Witcoff, Ltd.

(57) **CLAIM**

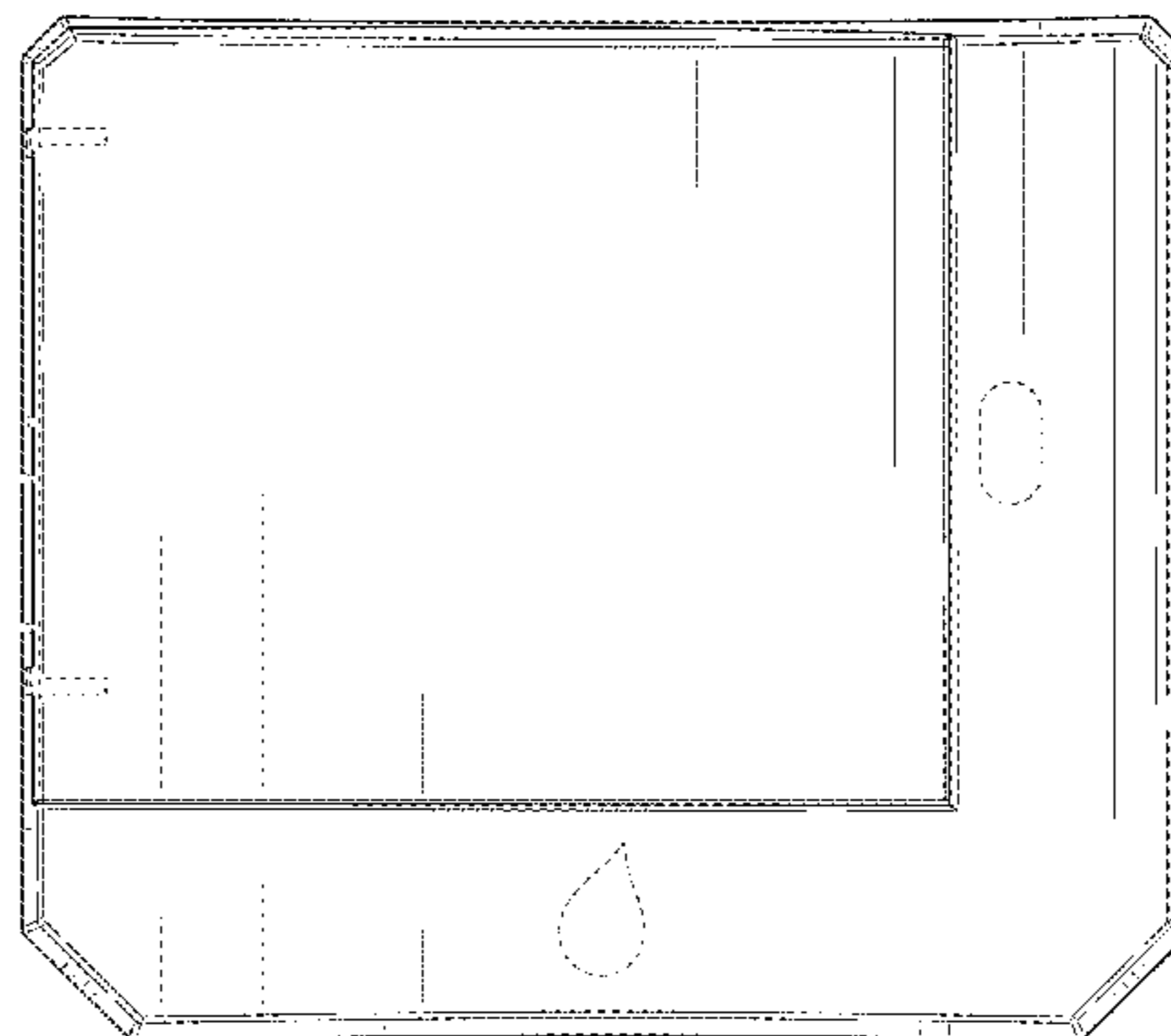
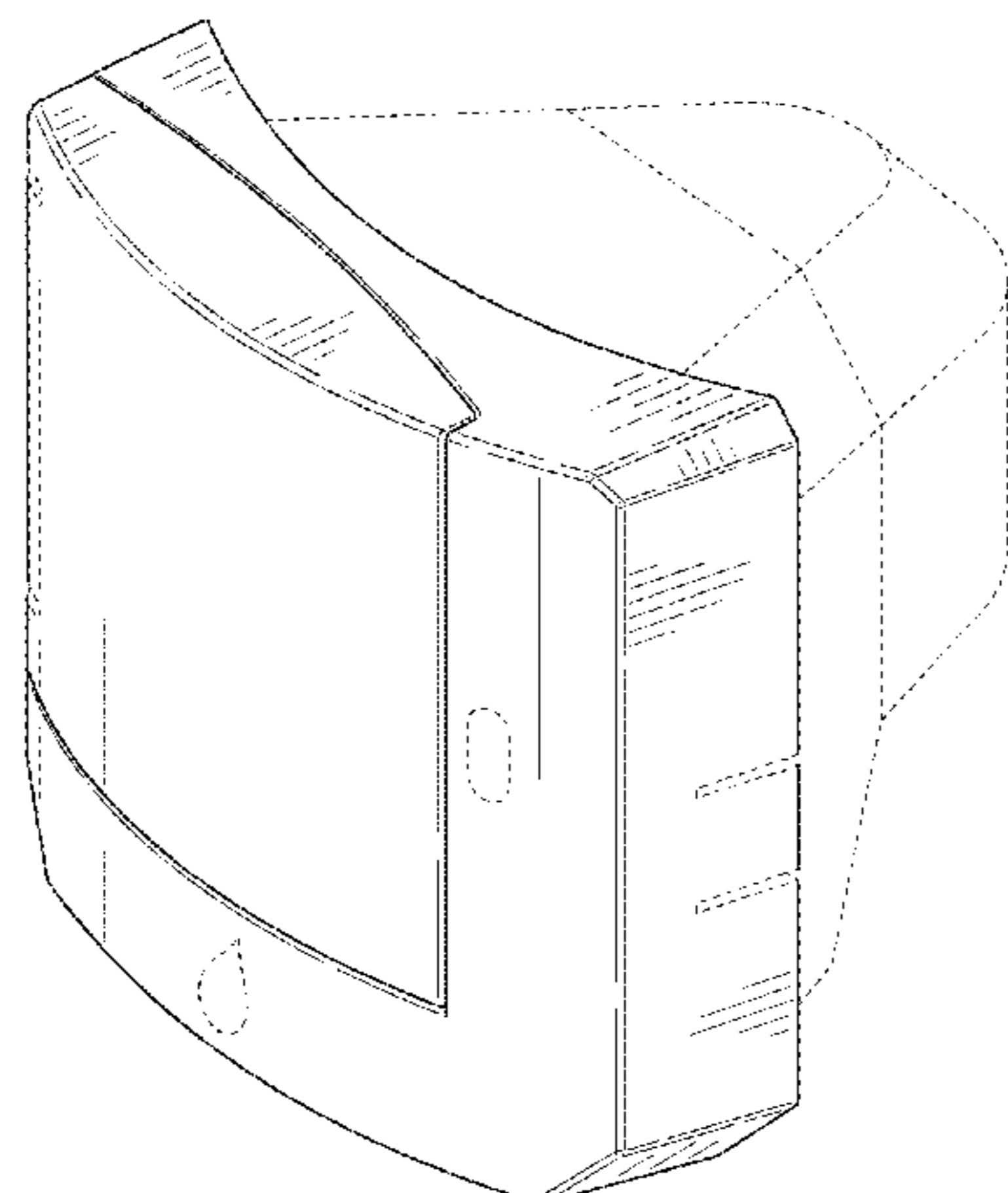
The ornamental design for a controller, as shown and described.

DESCRIPTION

FIG. 1 is a top, front, right perspective view of a controller showing our new design;
FIG. 2 is a front view thereof;
FIG. 3 is a right side view thereof;
FIG. 4 is a left side view thereof; and,
FIG. 5 is a top view thereof.

The broken lines immediately adjacent to the shaded area represent unclaimed boundaries of the design. The broken lines showing the remainder of the controller are for environmental purposes only and form no part of the claimed design.

1 Claim, 5 Drawing Sheets



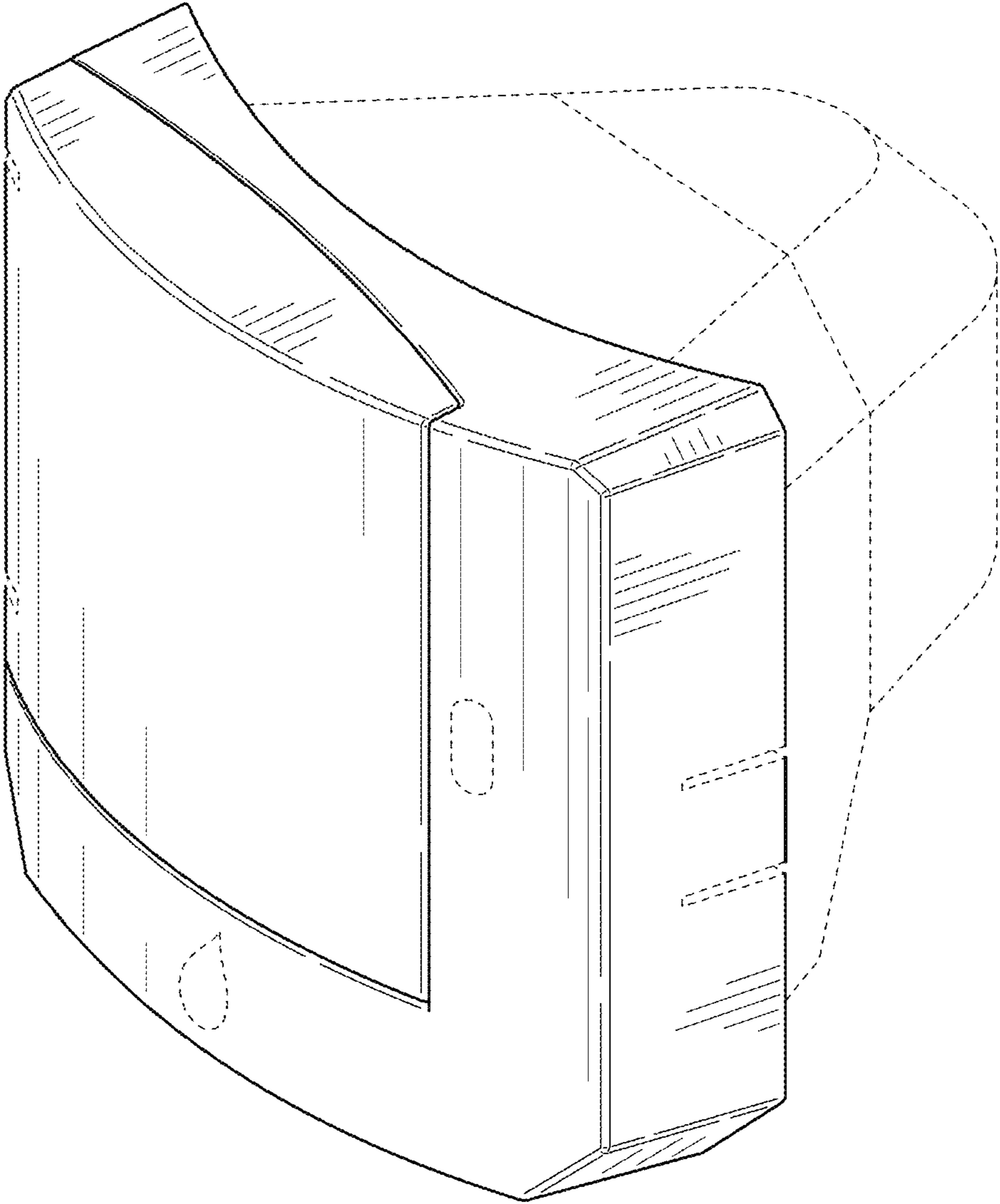


FIG. 1

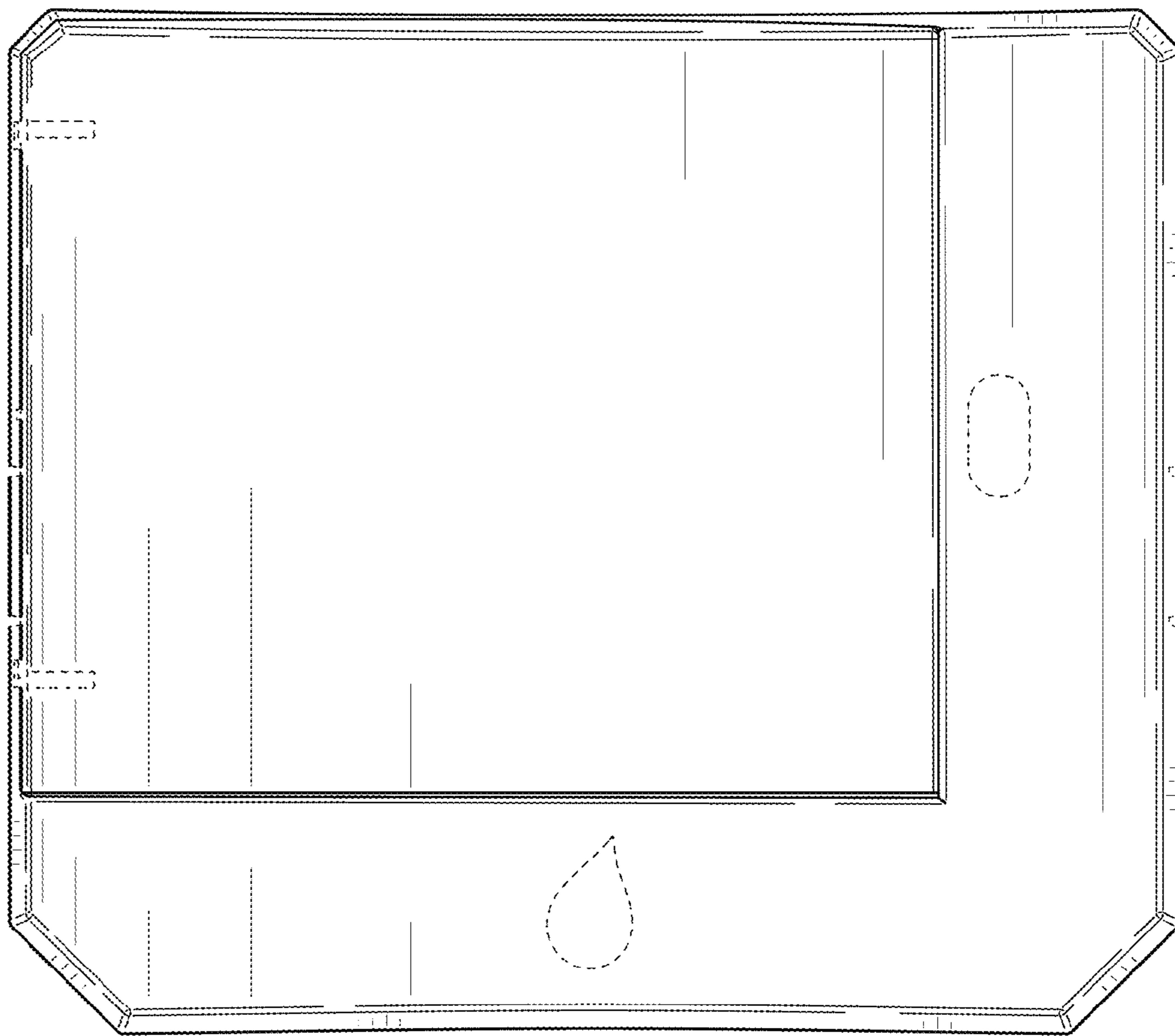


FIG. 2

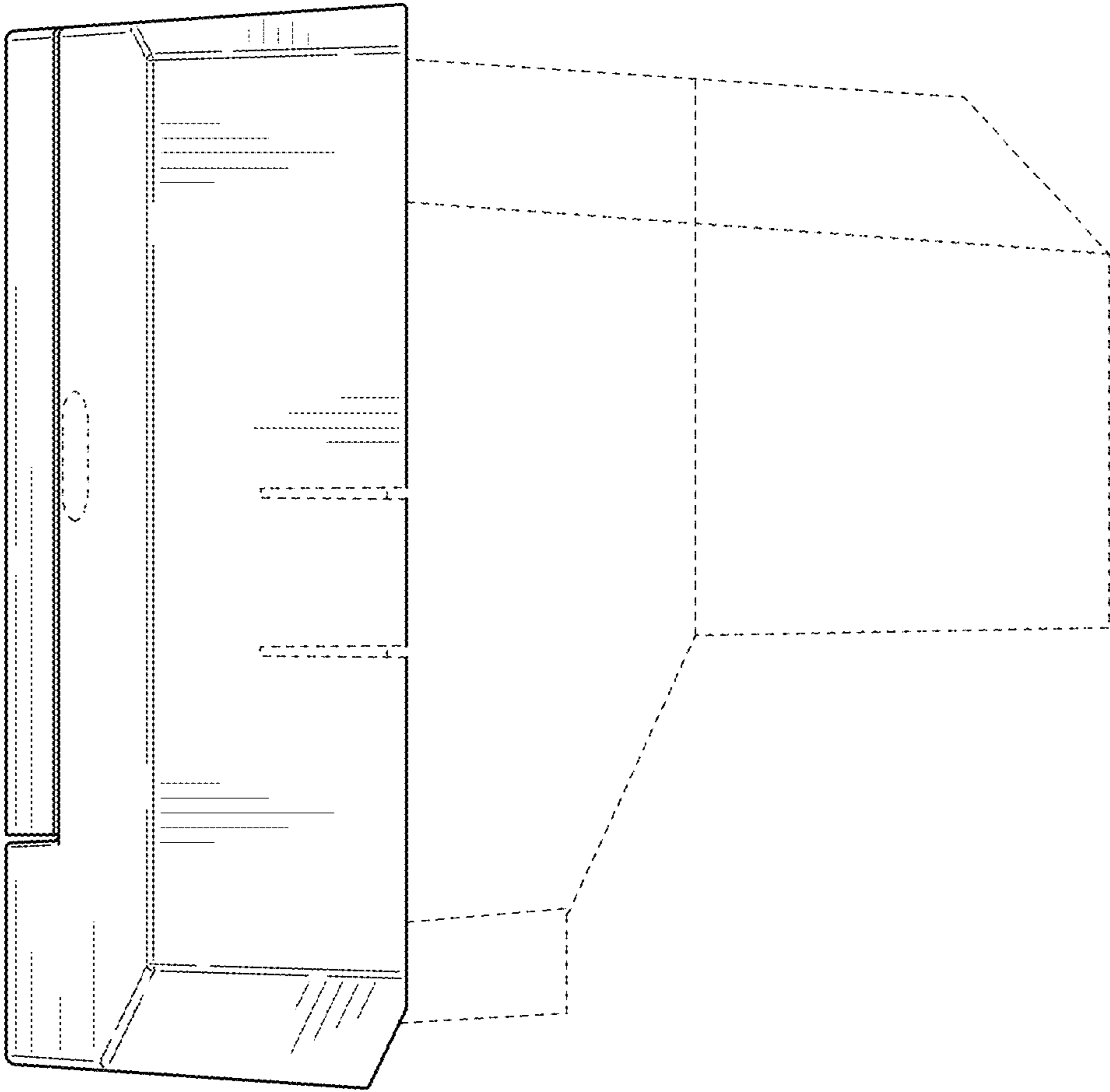


FIG. 3

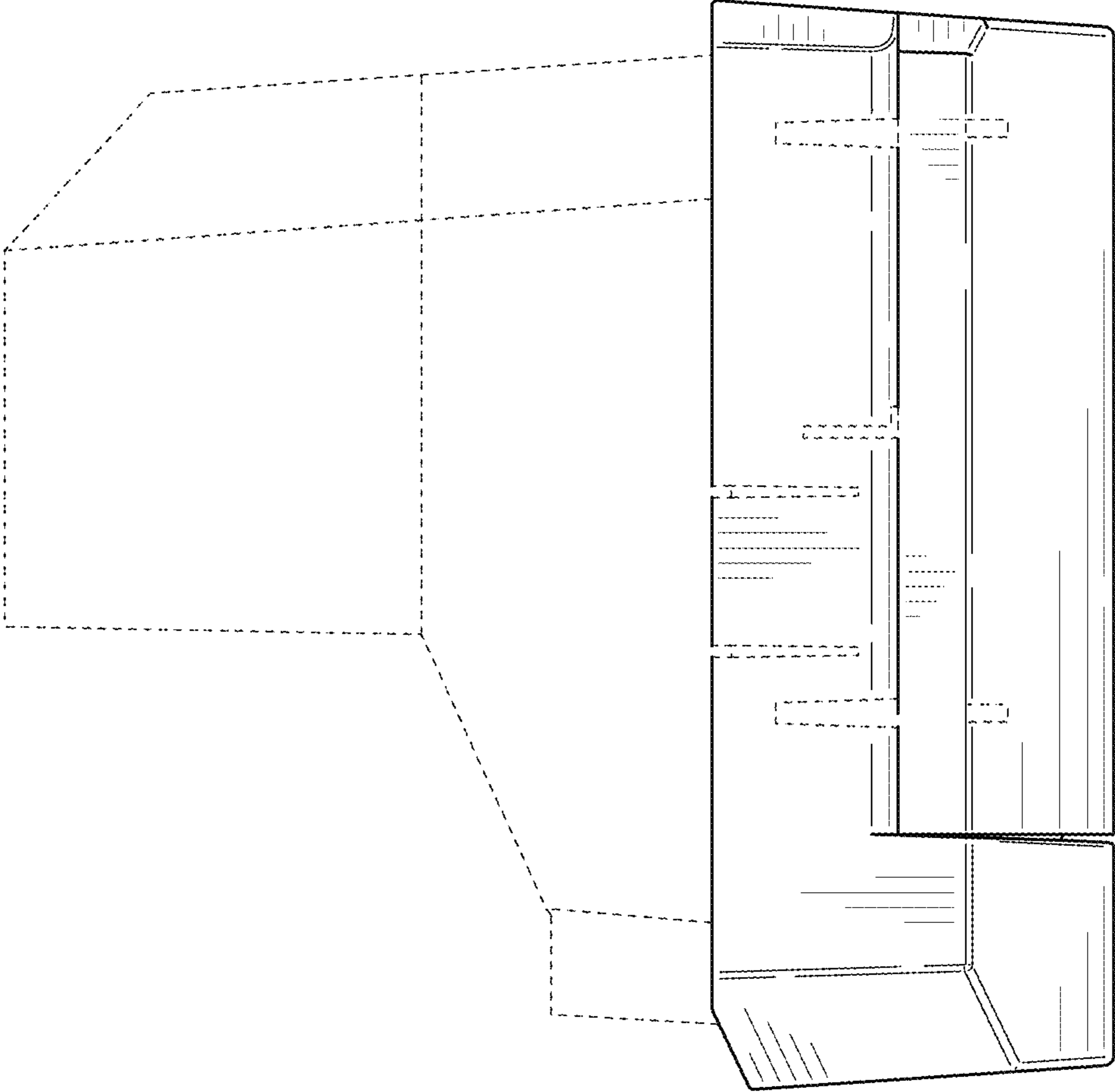


FIG. 4

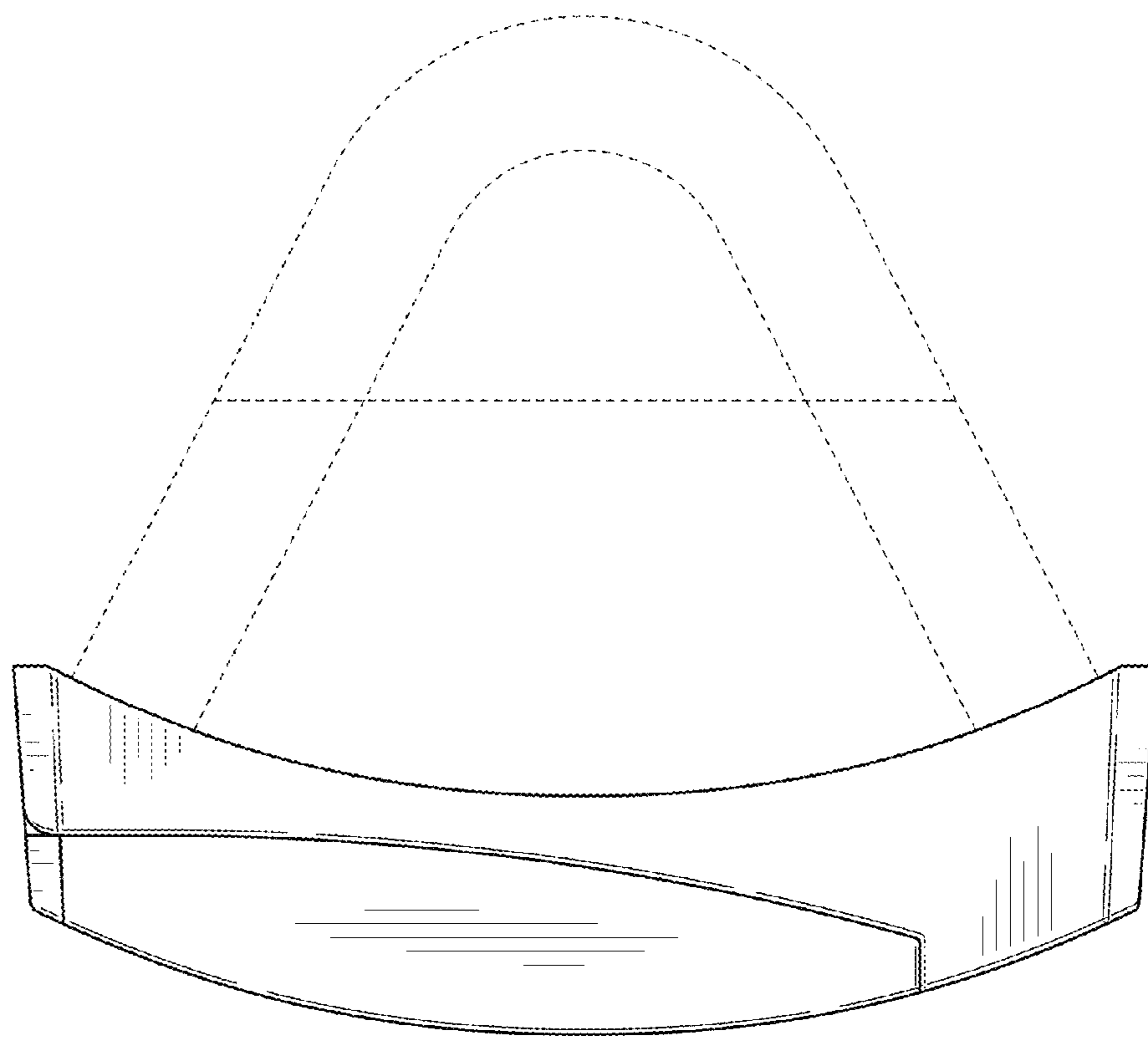


FIG. 5