



US00D754611S

(12) **United States Design Patent**
Higashi

(10) **Patent No.:** **US D754,611 S**
(45) **Date of Patent:** **** Apr. 26, 2016**

(54) **ELECTRICAL CONNECTOR**

(71) Applicant: **TRA COMPANY LTD.**, Osaka (JP)

(72) Inventor: **Ryo Higashi**, Osaka (JP)

(73) Assignee: **TRA COMPANY LTD.**, Osaka (JP)

(**) Term: **14 Years**

(21) Appl. No.: **29/497,988**

(22) Filed: **Jul. 30, 2014**

(30) **Foreign Application Priority Data**

Jun. 25, 2014 (JP) 2014-013854

(51) **LOC (10) Cl.** **13-03**

(52) **U.S. Cl.**
USPC **D13/147**

(58) **Field of Classification Search**
USPC D13/133, 147, 154, 184, 199
See application file for complete search history.

(56) **References Cited**

U.S. PATENT DOCUMENTS

D481,683 S * 11/2003 Lai D13/147
D522,463 S * 6/2006 Novotney D13/147

D544,446 S * 6/2007 Yang D13/147
D638,363 S * 5/2011 Ledbetter D13/147
D672,315 S * 12/2012 Naito D13/147
D699,177 S * 2/2014 Higashi
D713,349 S * 9/2014 Igarashi D13/147

* cited by examiner

Primary Examiner — Daniel Bui

(74) *Attorney, Agent, or Firm* — Cermak Nakajima & McGowan LLP; Tomoko Nakajima

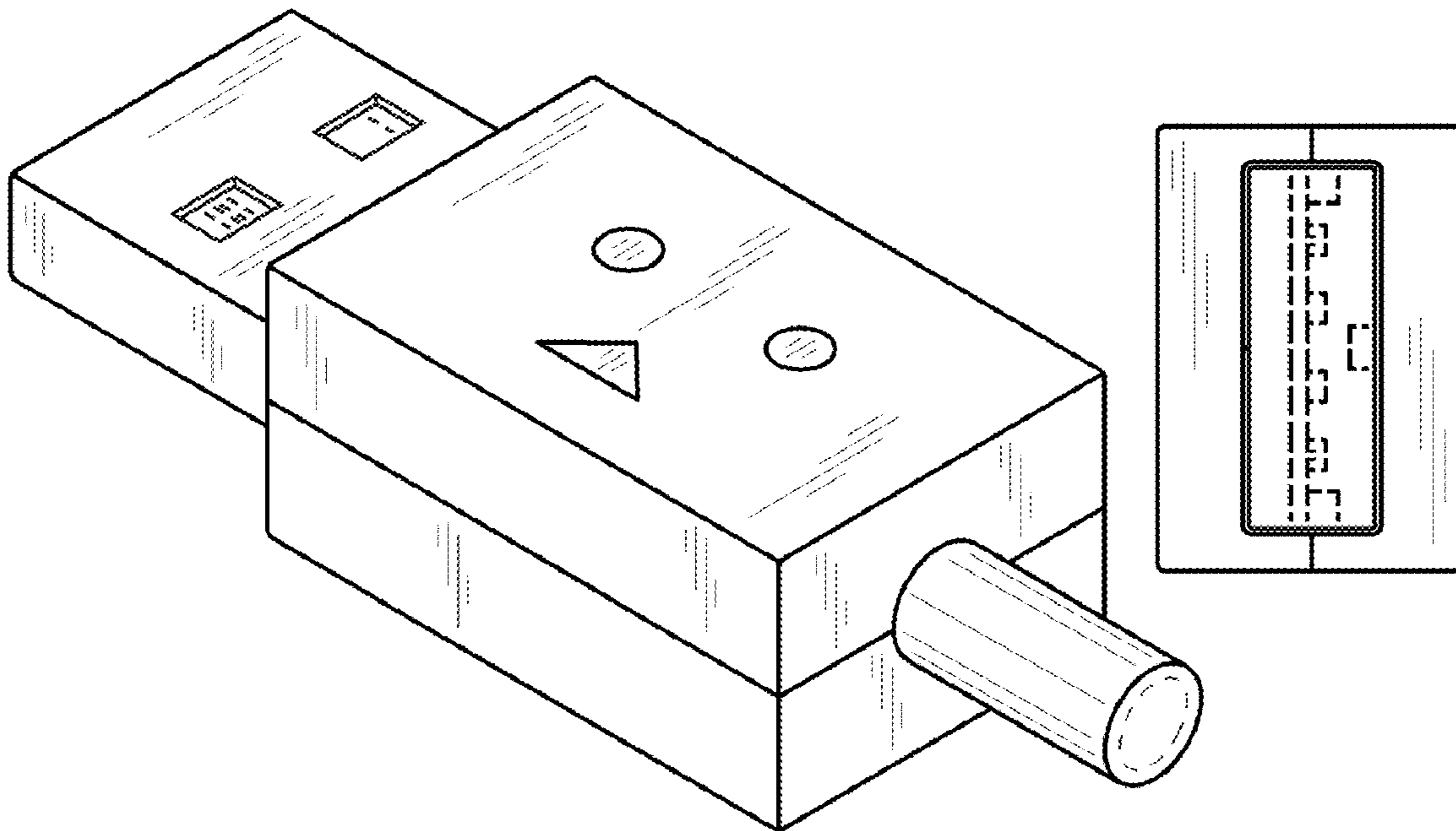
(57) **CLAIM**

The ornamental design for an electrical connector, as shown and described.

DESCRIPTION

FIG. 1 is a perspective view of an electrical connector showing my new design;
FIG. 2 is a front elevational view thereof;
FIG. 3 is a rear elevational view thereof;
FIG. 4 is a top plan view thereof;
FIG. 5 is a bottom plan view thereof;
FIG. 6 is a right side elevational view thereof; and,
FIG. 7 is a left side elevational view thereof.
The broken line in the drawings is included for the purpose of illustrating environment and forms no part of the claimed design.

1 Claim, 7 Drawing Sheets



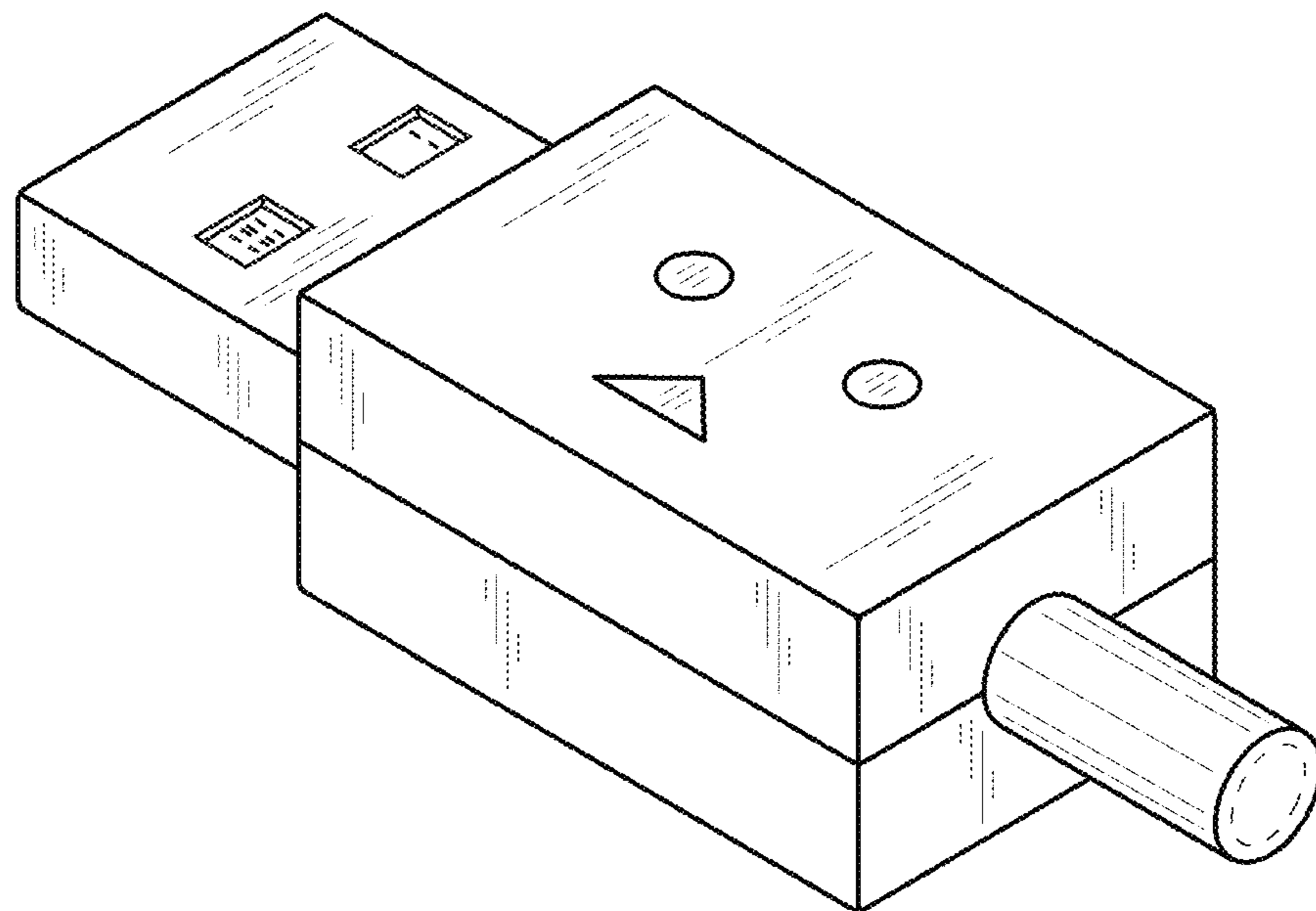


FIG.1

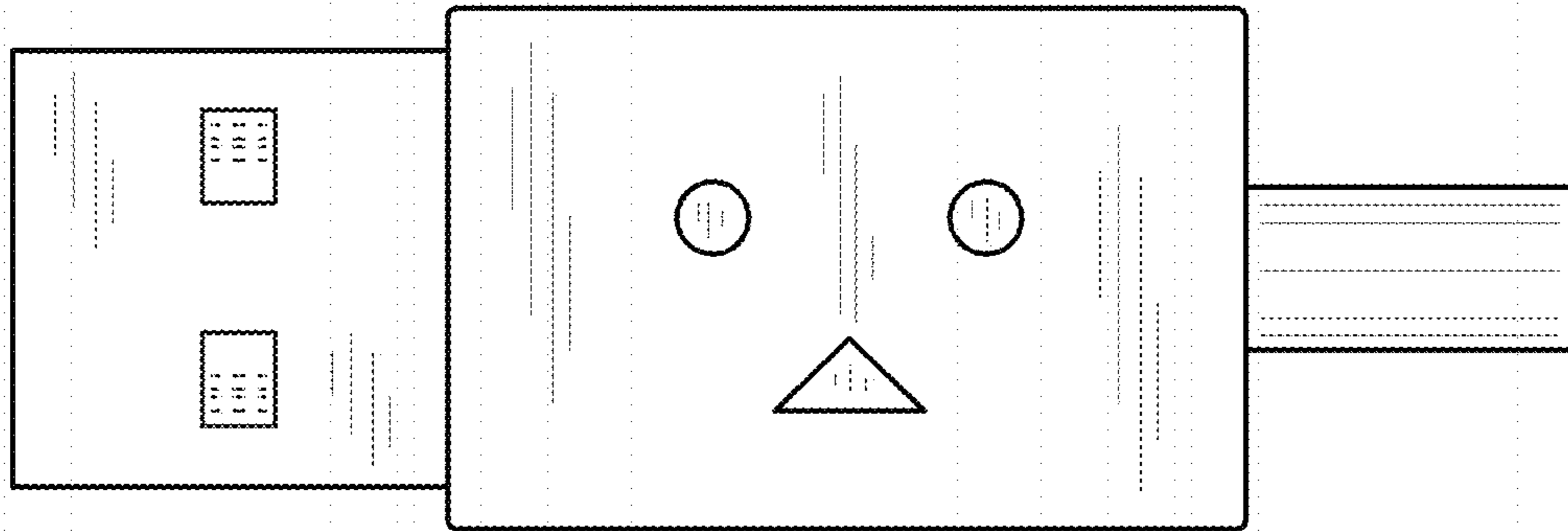


FIG.2

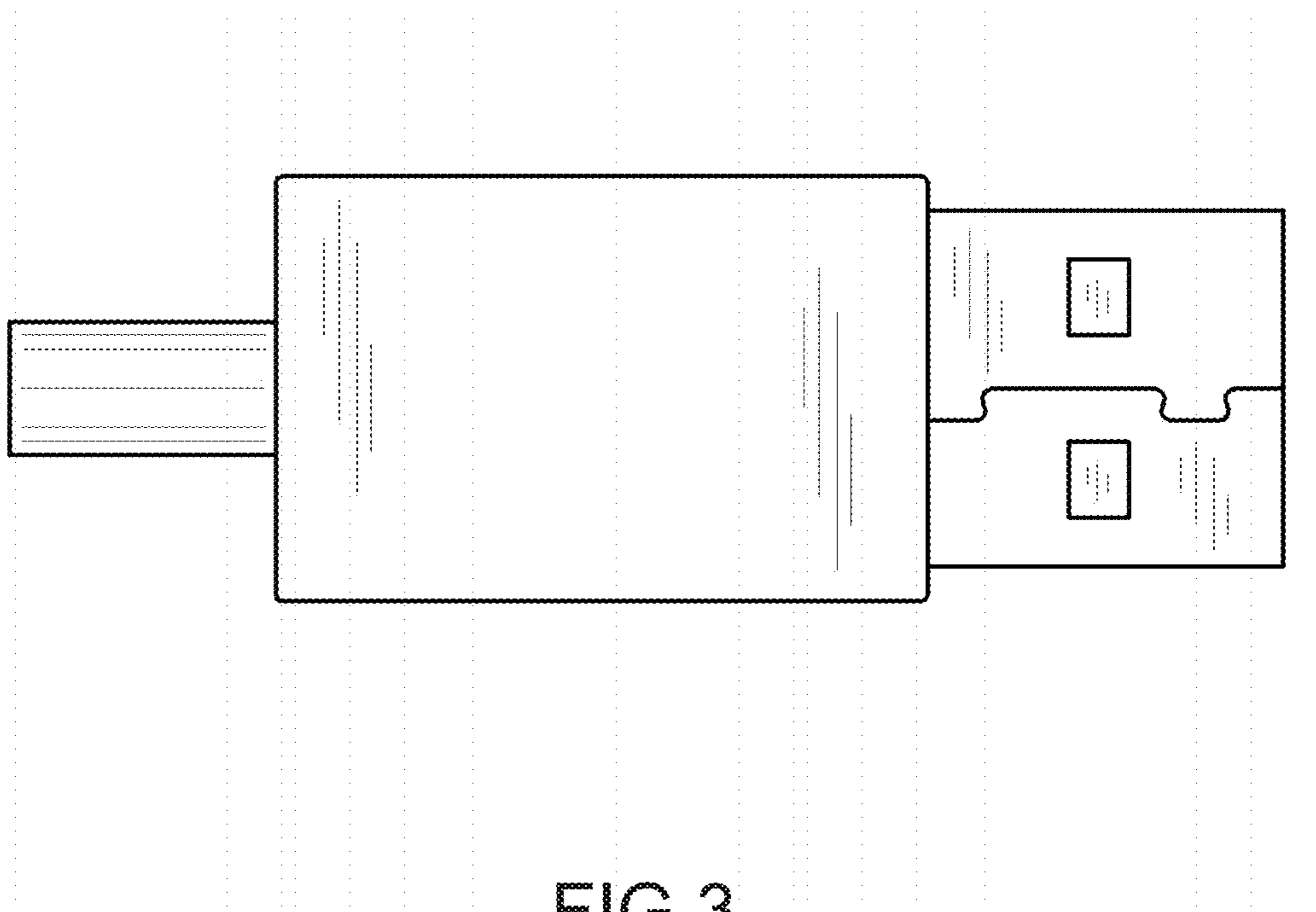


FIG.3

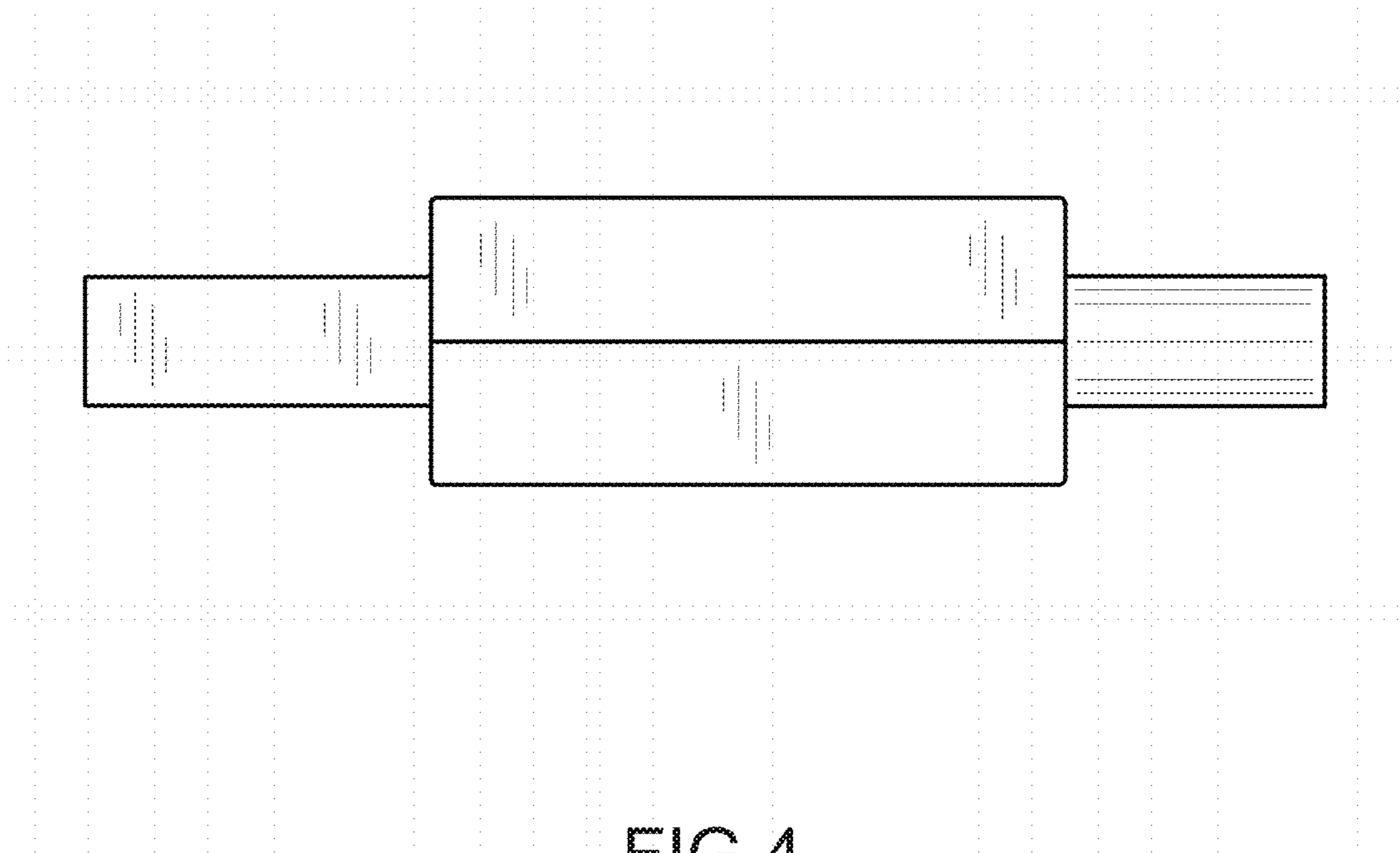


FIG. 4

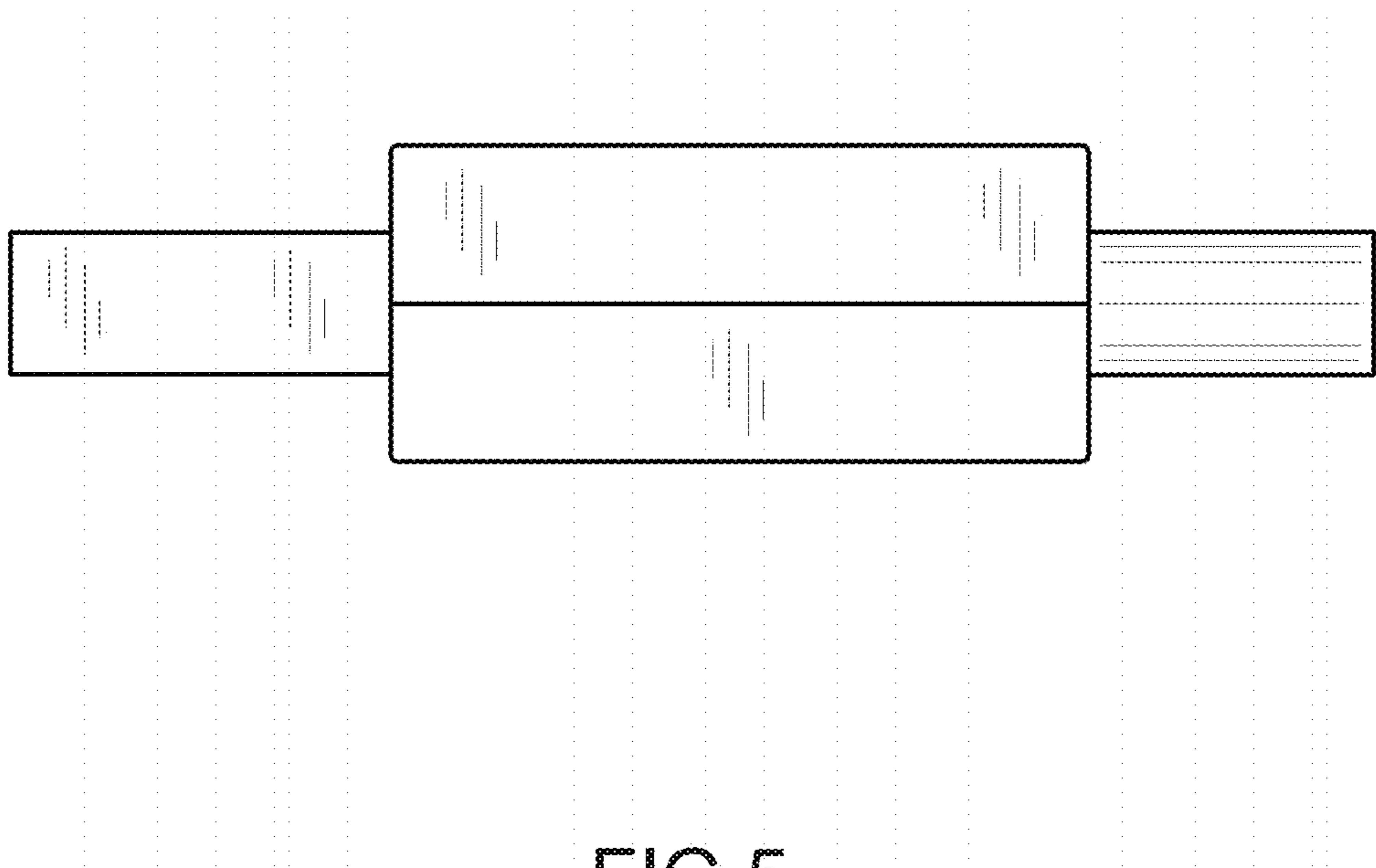


FIG.5

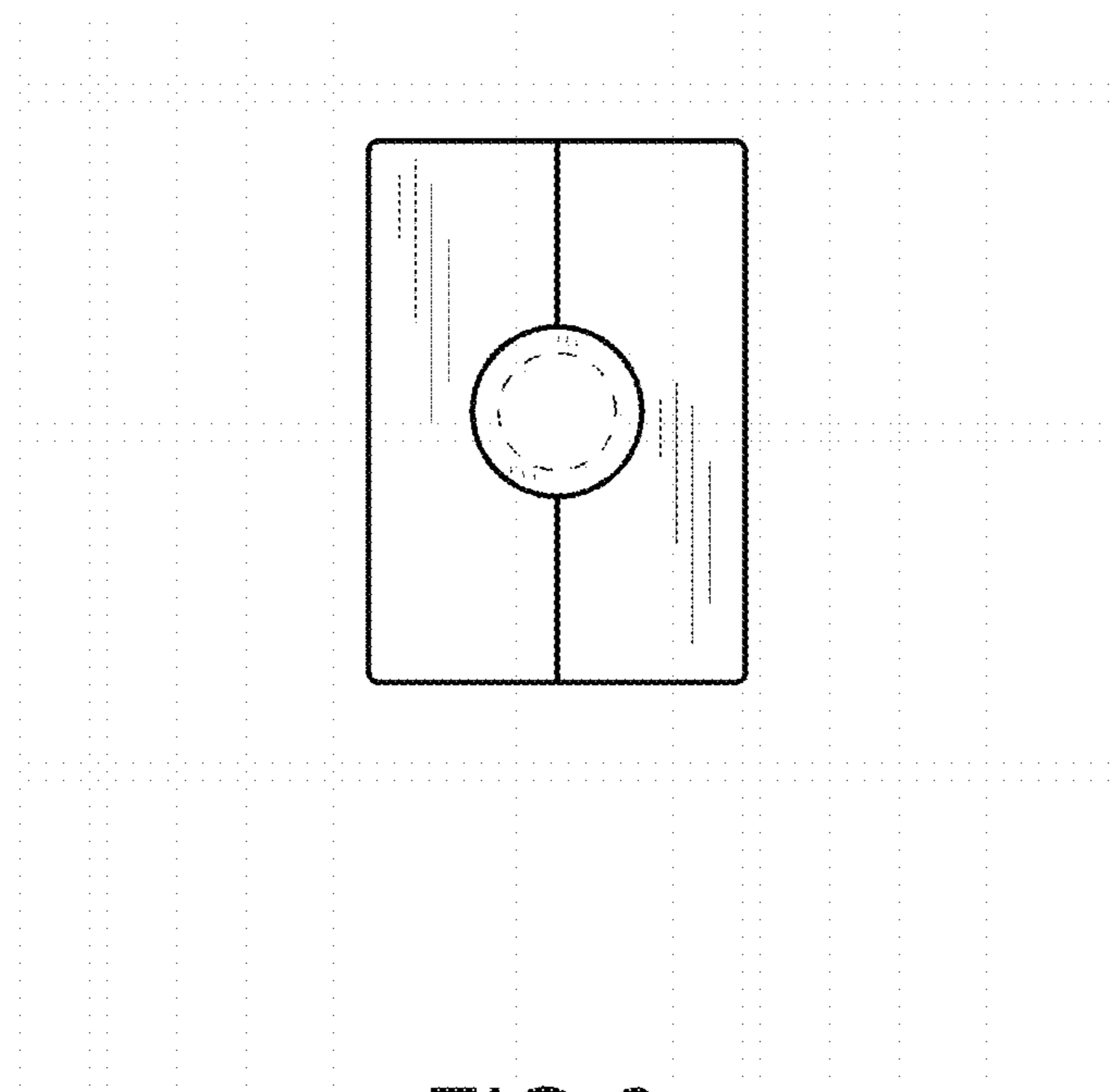


FIG. 6

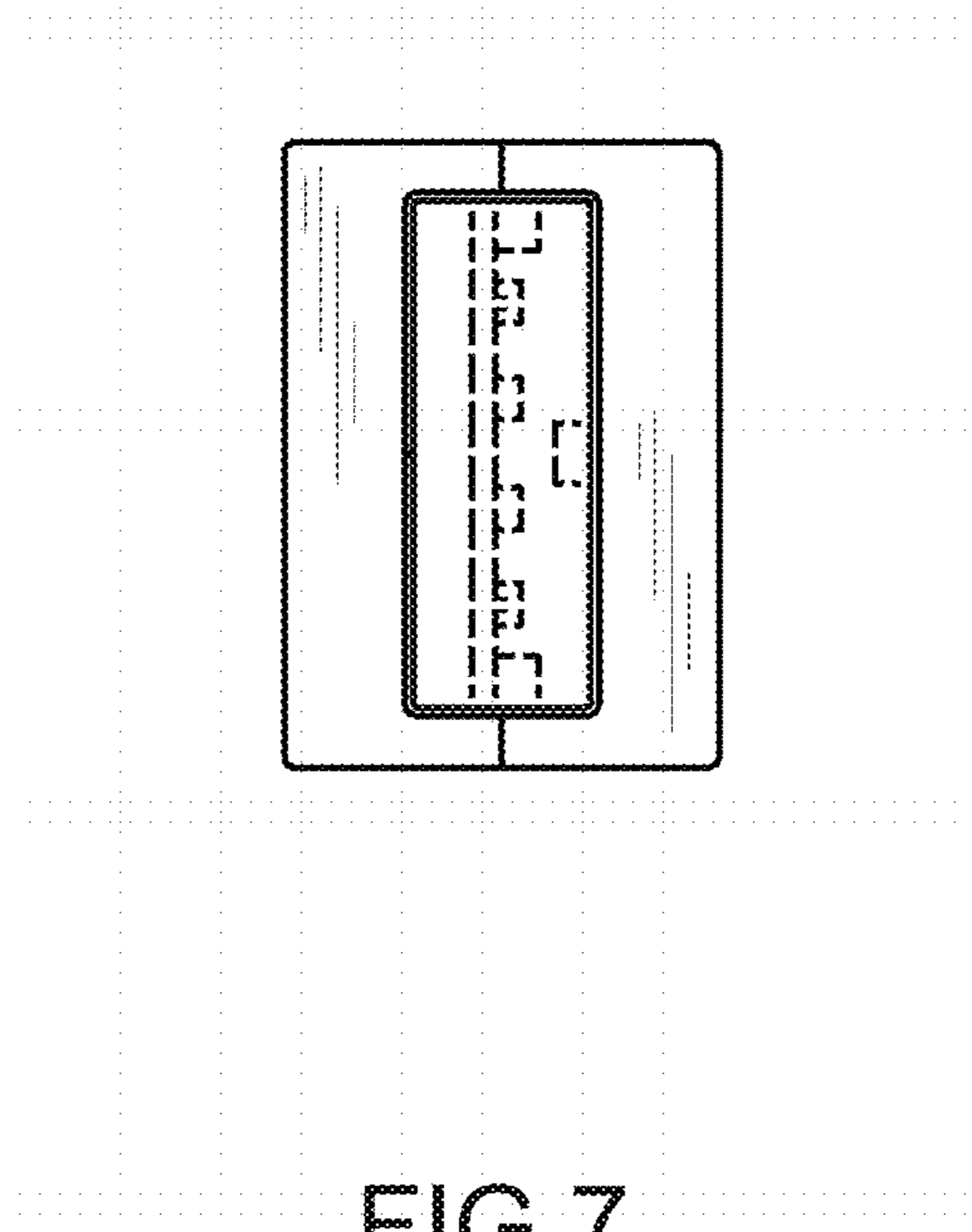


FIG. 7