



US00D754609S

(12) **United States Design Patent**
York et al.

(10) **Patent No.:** **US D754,609 S**
(45) **Date of Patent:** **** Apr. 26, 2016**

(54) **RECEPTACLE POWER CONNECTOR**

(71) Applicant: **IDEAL Industries, Inc.**, Sycamore, IL (US)

(72) Inventors: **Charles L. York**, Townsend, MA (US);
Nathan T. Smith, Worcester, MA (US);
Anders Hadley Rasmuson, III,
Maynard, MA (US)

(73) Assignee: **IDEAL Industries, Inc.**, Sycamore, IL (US)

(**) Term: **14 Years**

(21) Appl. No.: **29/509,728**

(22) Filed: **Nov. 20, 2014**

(51) **LOC (10) Cl.** **13-03**

(52) **U.S. Cl.**
USPC **D13/146**

(58) **Field of Classification Search**
USPC D13/133, 146, 147, 154, 184, 199
See application file for complete search history.

(56) **References Cited**

U.S. PATENT DOCUMENTS

D310,993 S * 10/1990 Ohkura et al. D13/146
D317,148 S * 5/1991 Kozono et al. D13/146

D323,152 S * 1/1992 Nagasaka et al. D13/147
D479,199 S * 9/2003 Jones et al. D13/147
D531,960 S * 11/2006 Kondas D13/147
D626,073 S * 10/2010 Skidmore et al. D13/146
D628,158 S * 11/2010 Skidmore et al. D13/146
D675,566 S * 2/2013 Jibiki D13/133
D691,561 S * 10/2013 York et al. D13/133
D716,738 S * 11/2014 York D13/147

* cited by examiner

Primary Examiner — Daniel Bui

(74) *Attorney, Agent, or Firm* — Greenberg Traurig, LLP

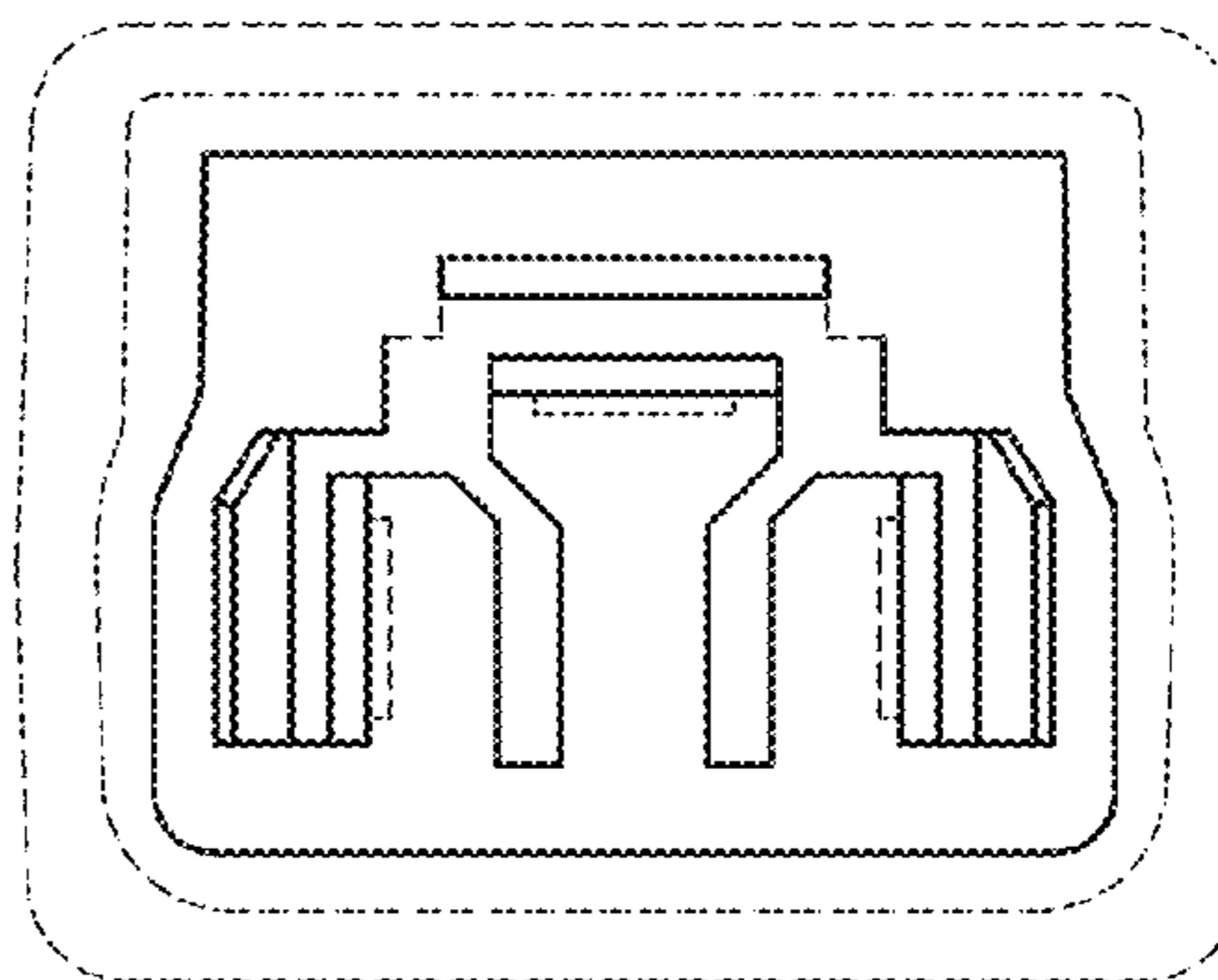
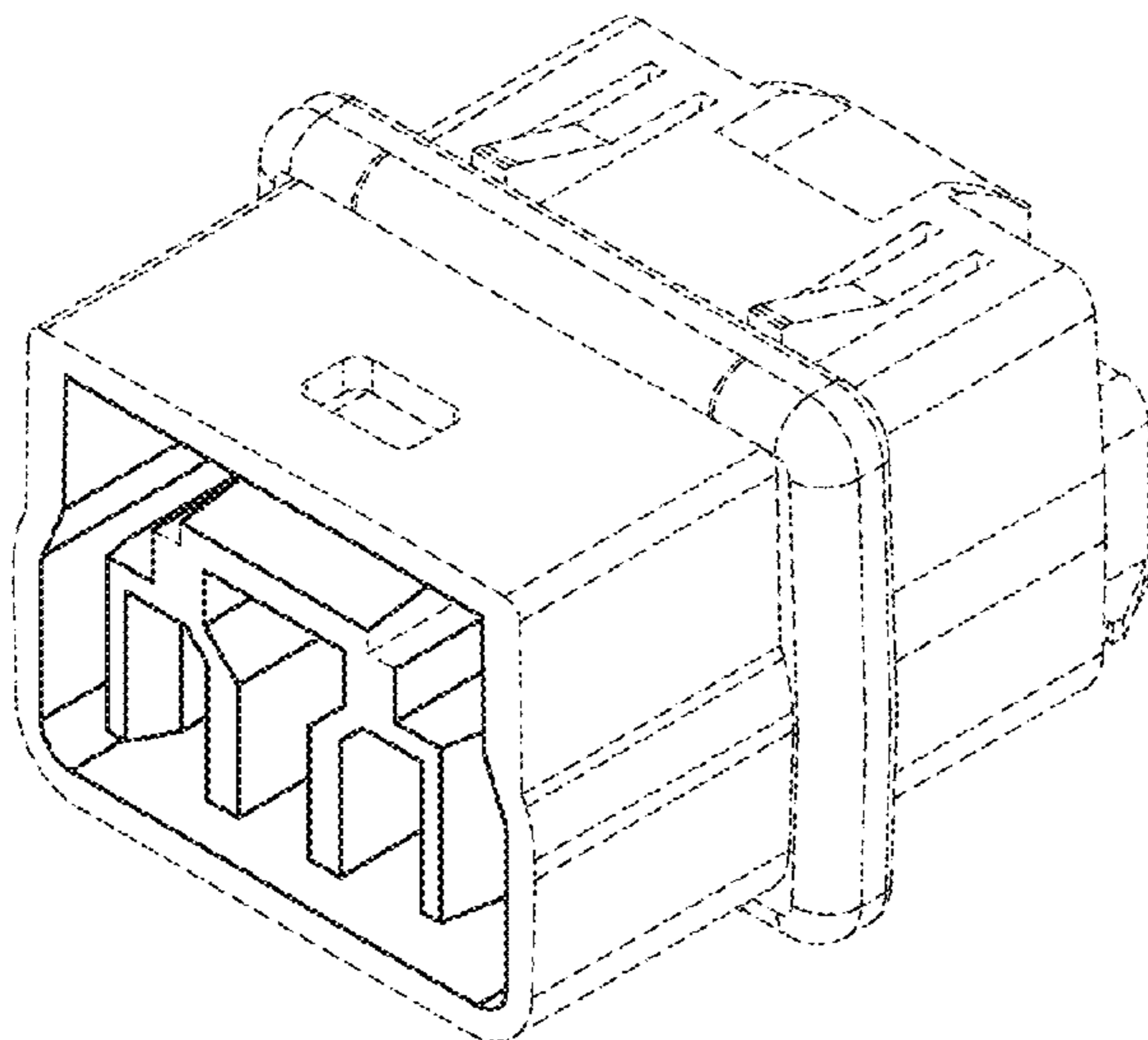
(57) **CLAIM**

What is claimed is the ornamental design for a receptacle power connector, as shown and described.

DESCRIPTION

FIG. 1 is a front perspective view of a receptacle power connector showing our new design; FIG. 2 is a front elevation view thereof; FIG. 3 is a rear elevation view thereof; FIG. 4 is a top plan view thereof; FIG. 5 is a bottom plan view thereof; FIG. 6 is a left side elevation view thereof; and, FIG. 7 is a right side elevation view thereof. In the drawings, the broken lines represent unclaimed environment only and form no part of the claimed design.

1 Claim, 7 Drawing Sheets



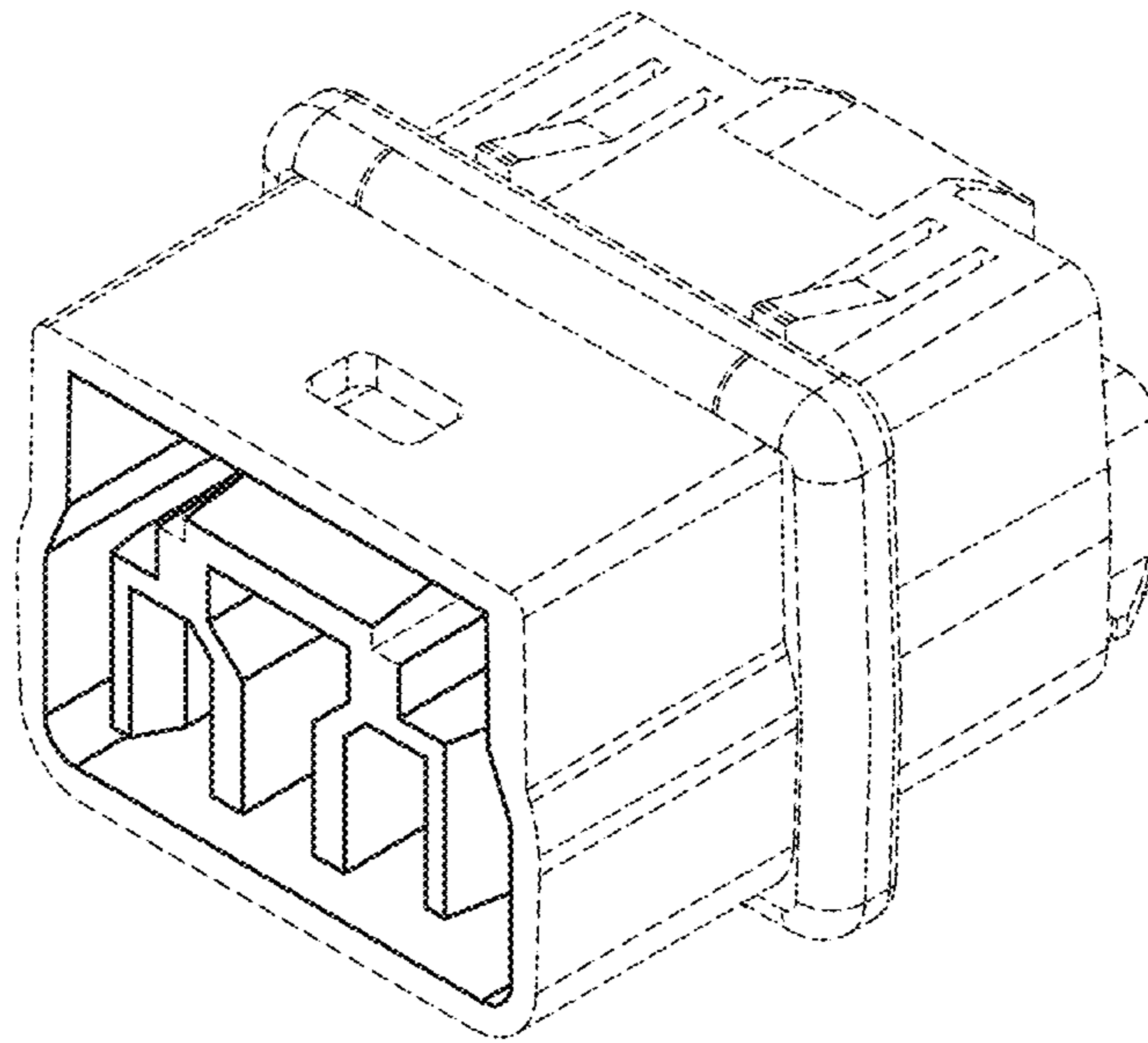


FIG. 1

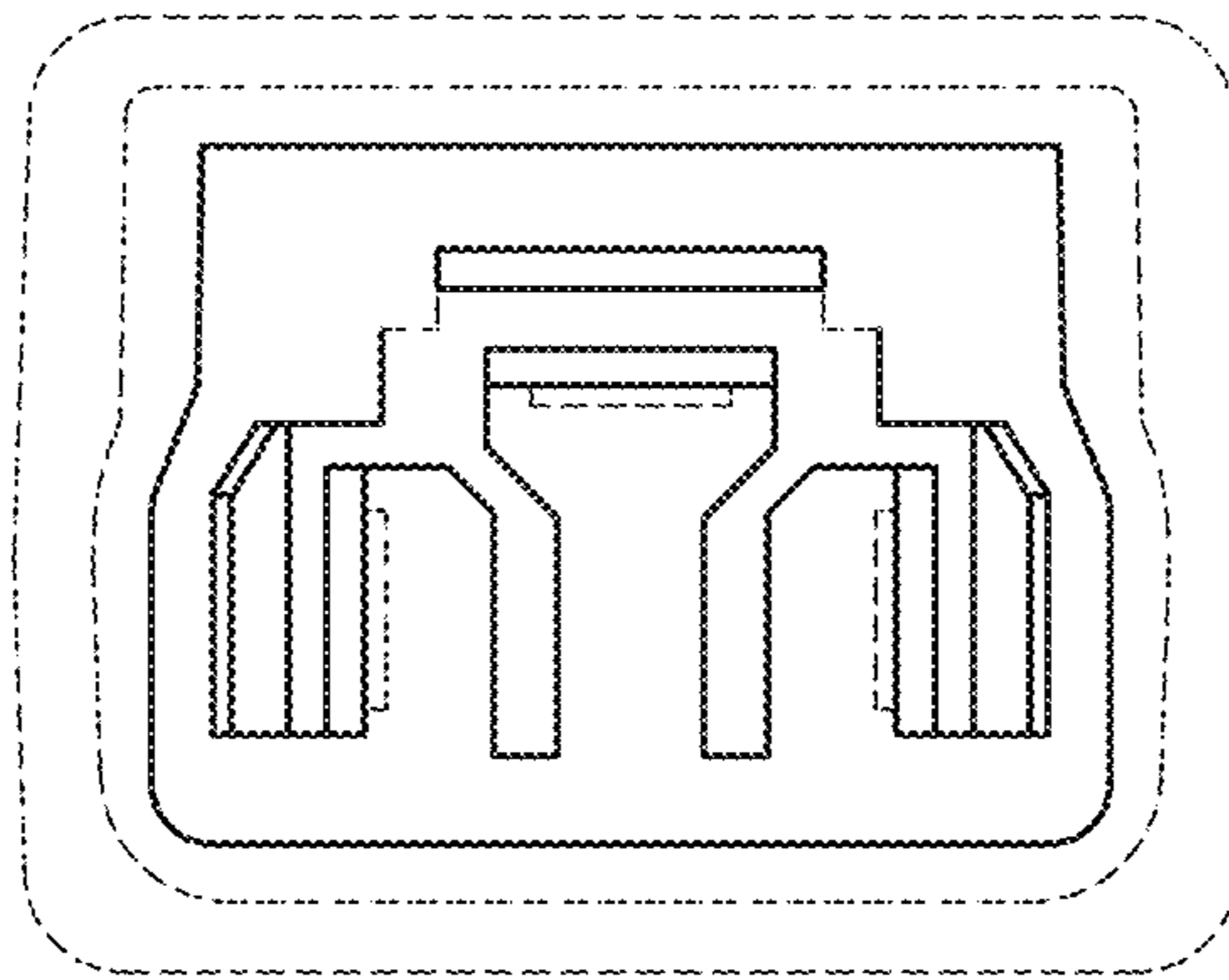


FIG. 2

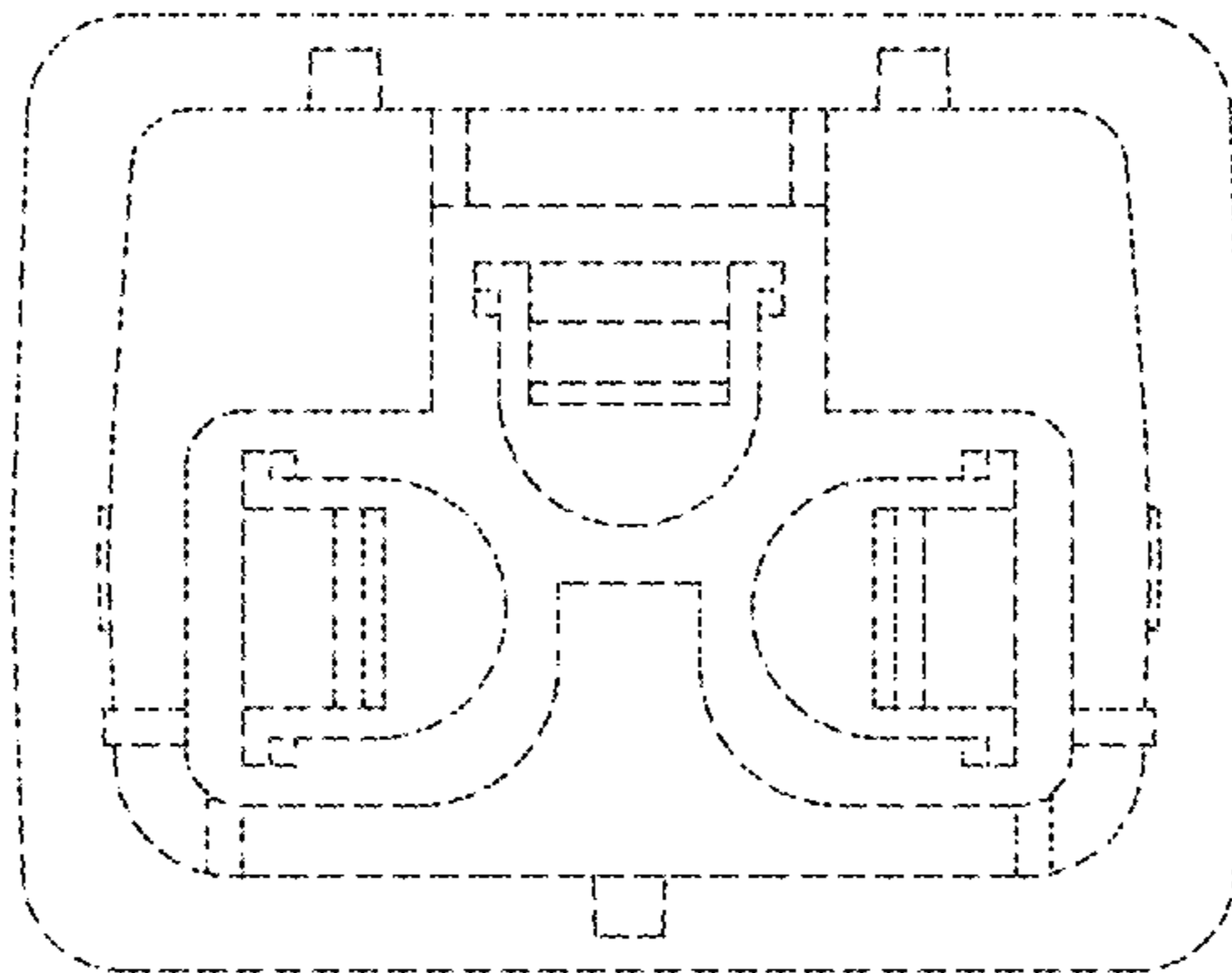


FIG. 3

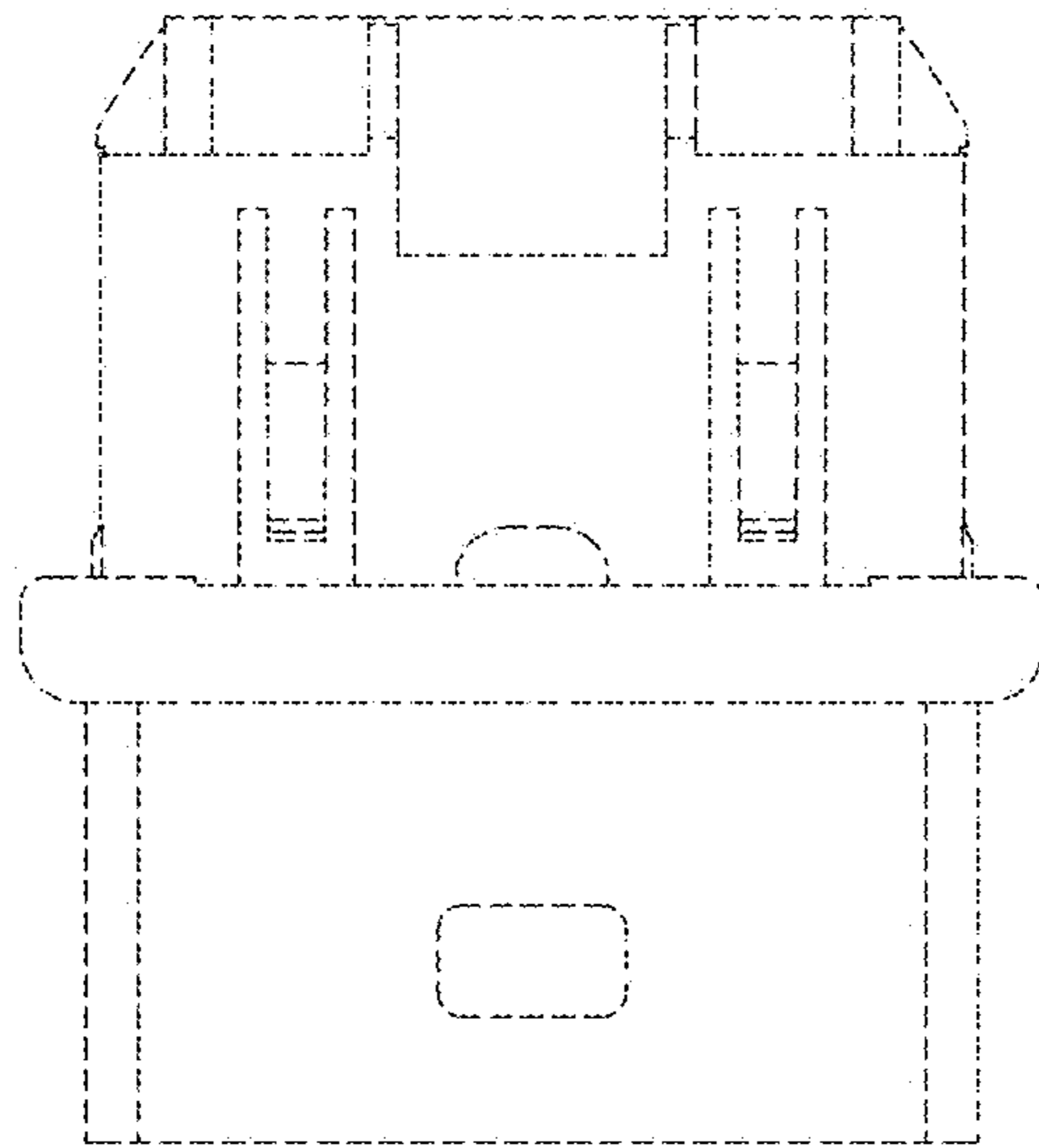


FIG. 4

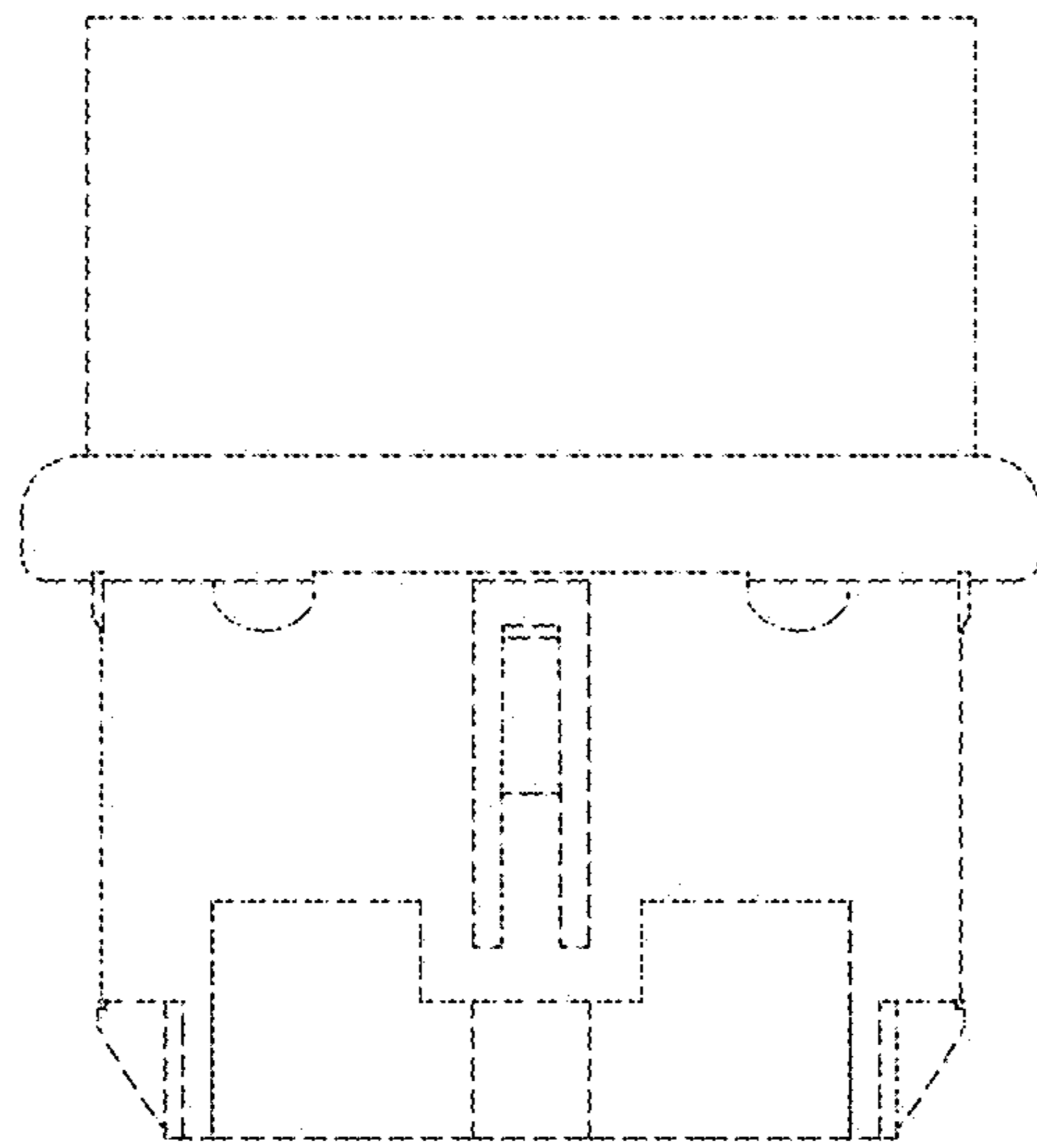


FIG. 5

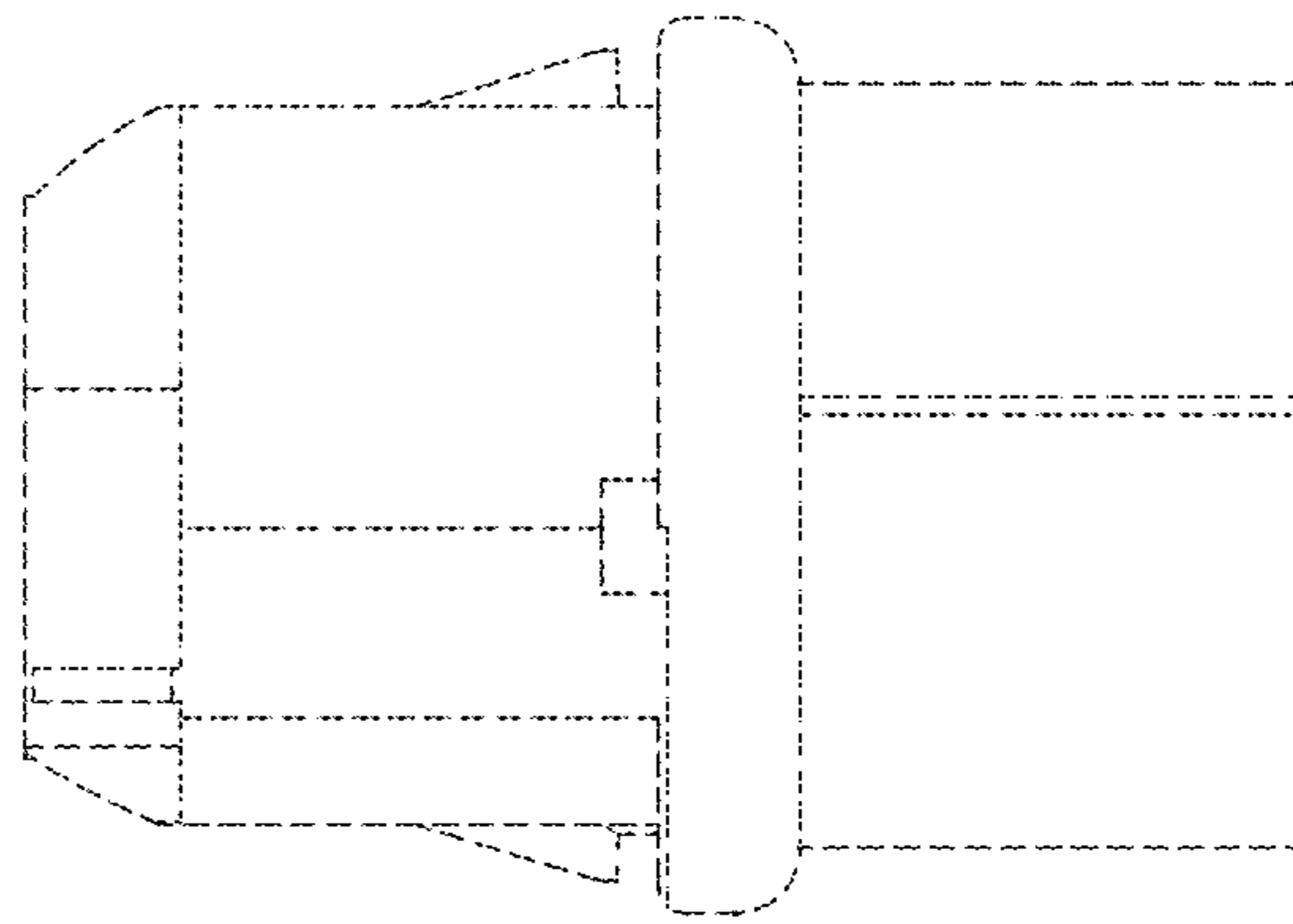


FIG. 6

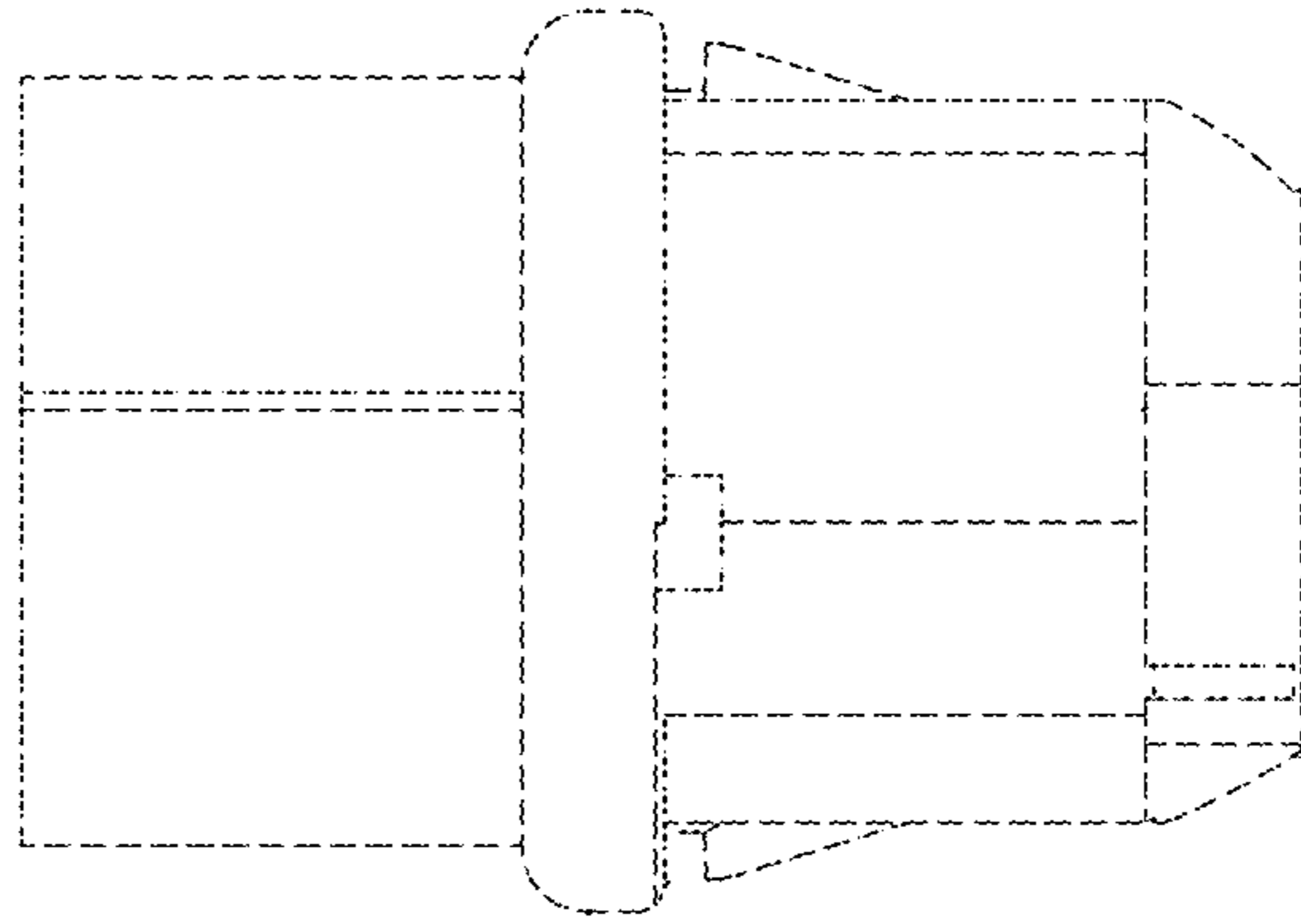


FIG. 7