



US00D754608S

(12) **United States Design Patent**
Lavén et al.

(10) **Patent No.:** **US D754,608 S**
(45) **Date of Patent:** **** Apr. 26, 2016**

(54) **ELECTRICAL MODULE**

(71) Applicant: **Moduel AB**, Stockholm (SE)

(72) Inventors: **Erik Lavén**, Stockholm (SE); **Michael Taylor**, Stockholm (SE); **Jon Westberg**, Stockholm (SE)

(73) Assignee: **Moduel AB**, Stockholm (SE)

(**) Term: **14 Years**

(21) Appl. No.: **29/492,306**

(22) Filed: **May 30, 2014**

(30) **Foreign Application Priority Data**

Dec. 5, 2013 (EM) 001391924

(51) **LOC (10) Cl.** **13-03**

(52) **U.S. Cl.**
USPC **D13/146**

(58) **Field of Classification Search**
USPC D13/133, 146, 147, 154, 184, 199
See application file for complete search history.

(56) **References Cited**

U.S. PATENT DOCUMENTS

D188,419 S *	7/1960	Danesi	D13/146
5,662,500 A *	9/1997	Yeah	H01R 13/53 439/181
D388,765 S *	1/1998	Pitcher	D13/133
D498,462 S *	11/2004	Andre	D13/138.2
D731,449 S *	6/2015	Norman	D13/184

* cited by examiner

Primary Examiner — Daniel Bui

(74) *Attorney, Agent, or Firm* — Renner, Otto, Boisselle & Sklar, LLP

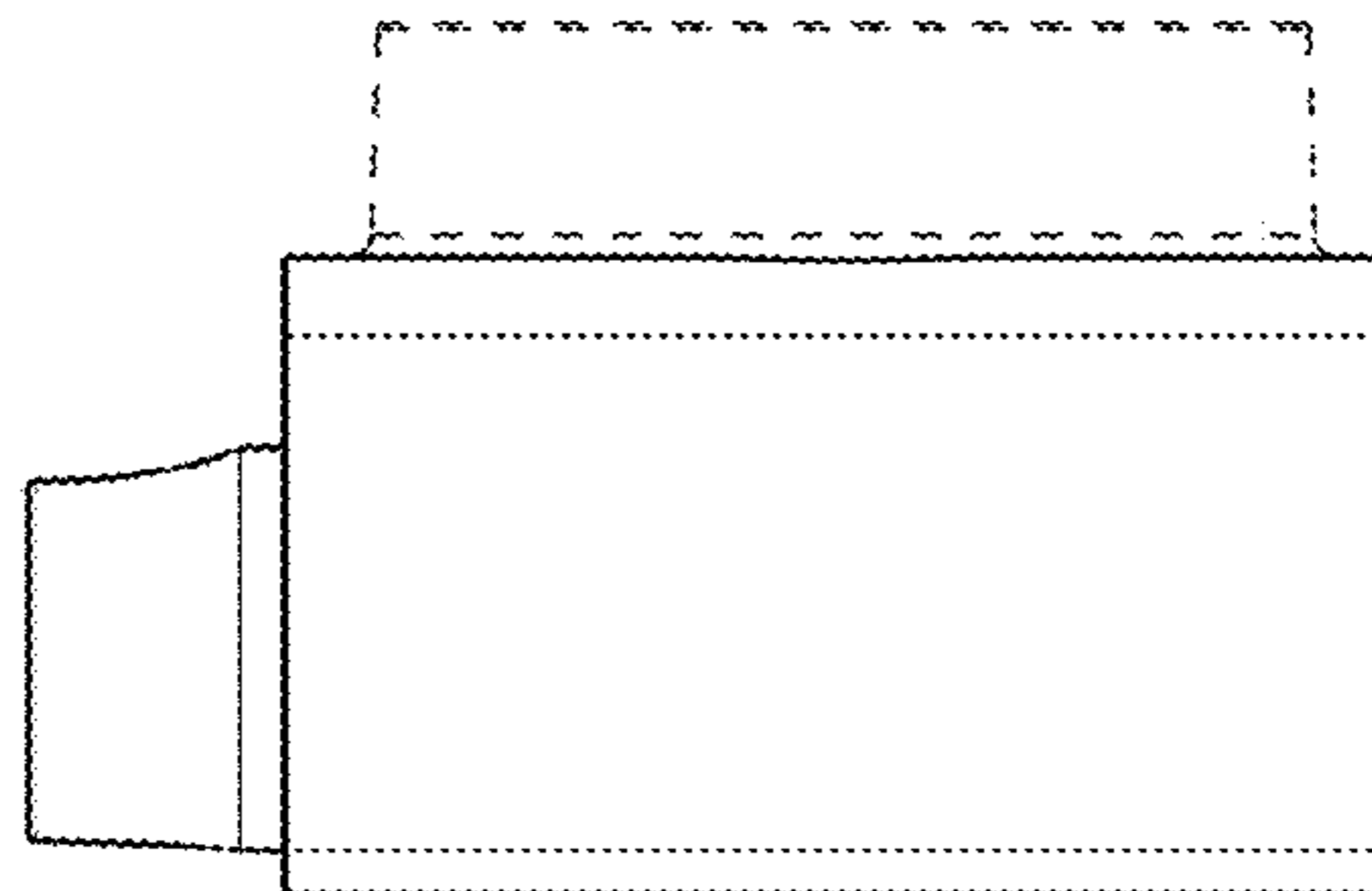
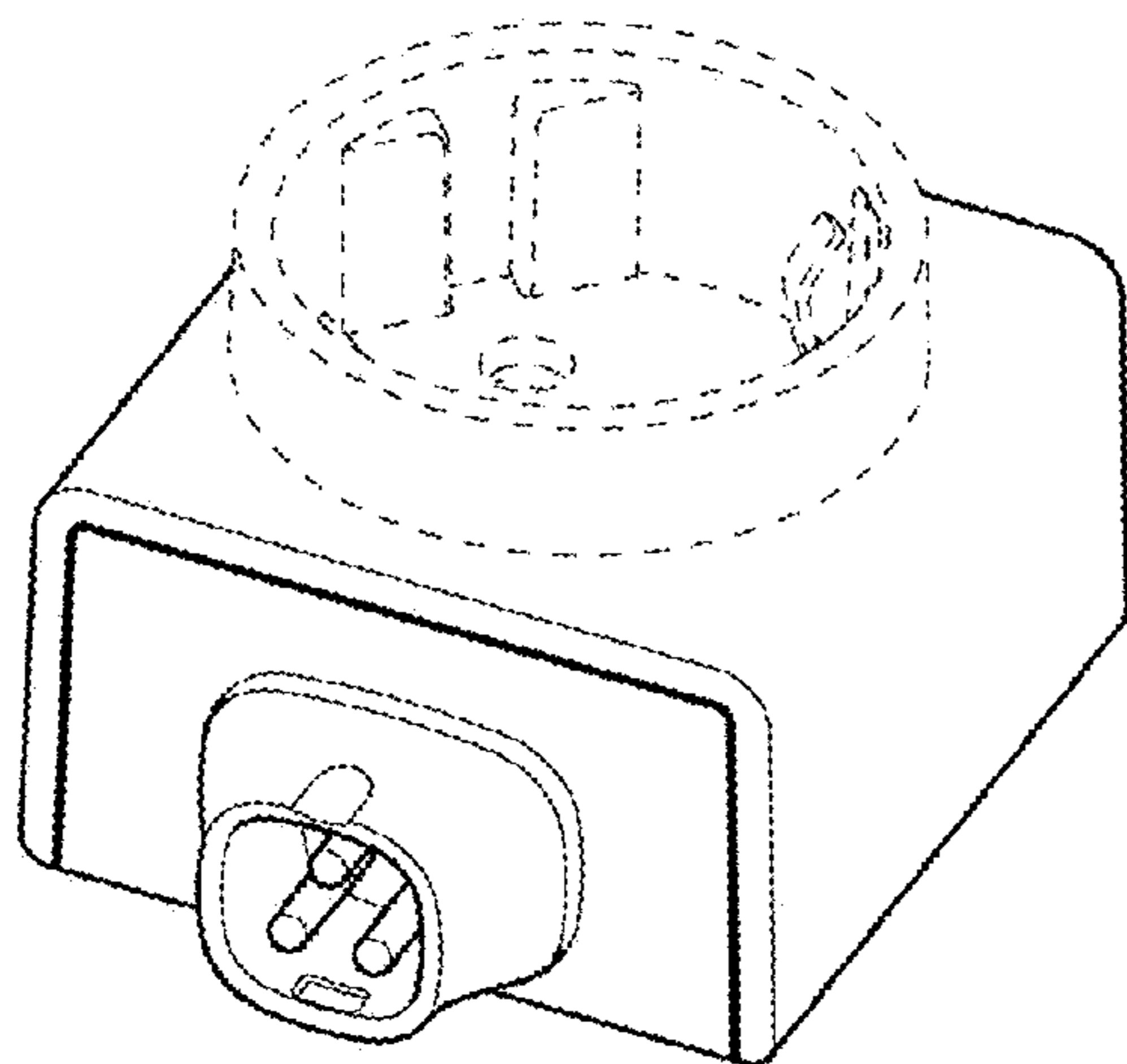
(57) **CLAIM**

The ornamental design for an electrical module, as shown and described.

DESCRIPTION

FIG. 1 is a front and top perspective view of an electrical module showing our new design; FIG. 2 is a front elevation view thereof; FIG. 3 is a rear elevation view thereof; FIG. 4 is a top plan view thereof; FIG. 5 is a bottom plan view thereof; FIG. 6 is a right side elevation view thereof; and, FIG. 7 is a left side elevation view thereof. The broken line in the figure drawing views is included to show unclaimed environment only and forms no part of the claimed design.

1 Claim, 4 Drawing Sheets



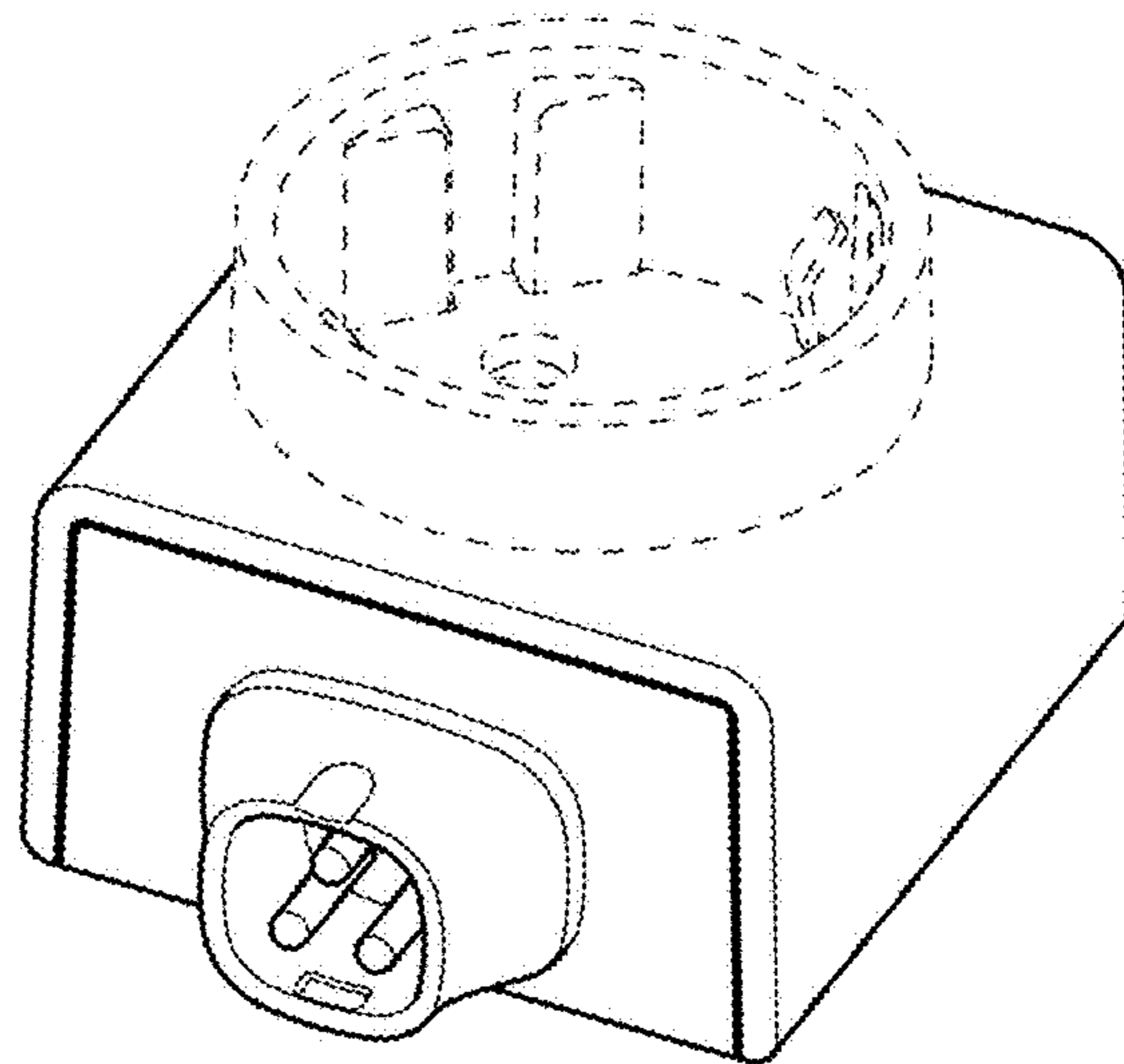


FIG. 1

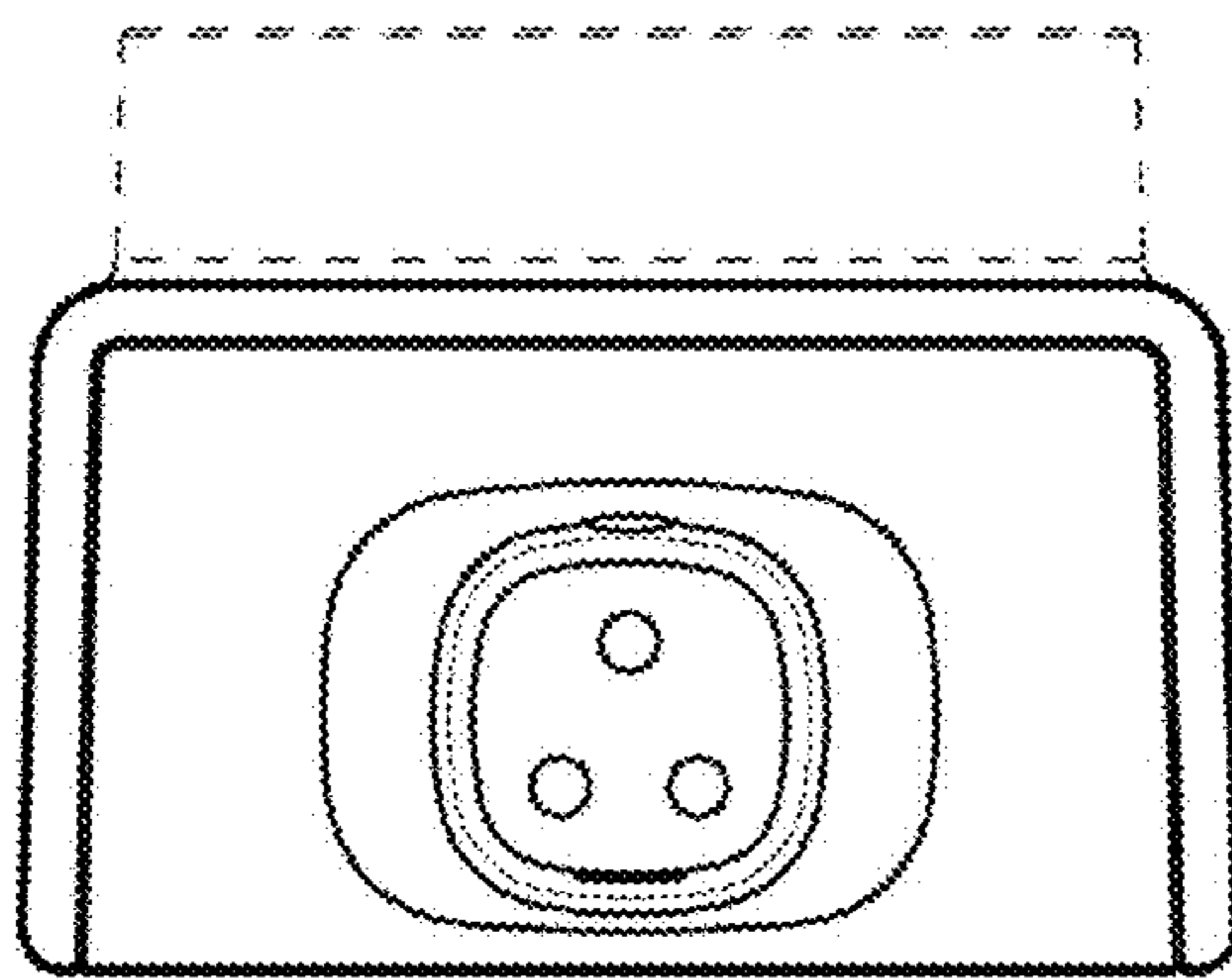


FIG. 2

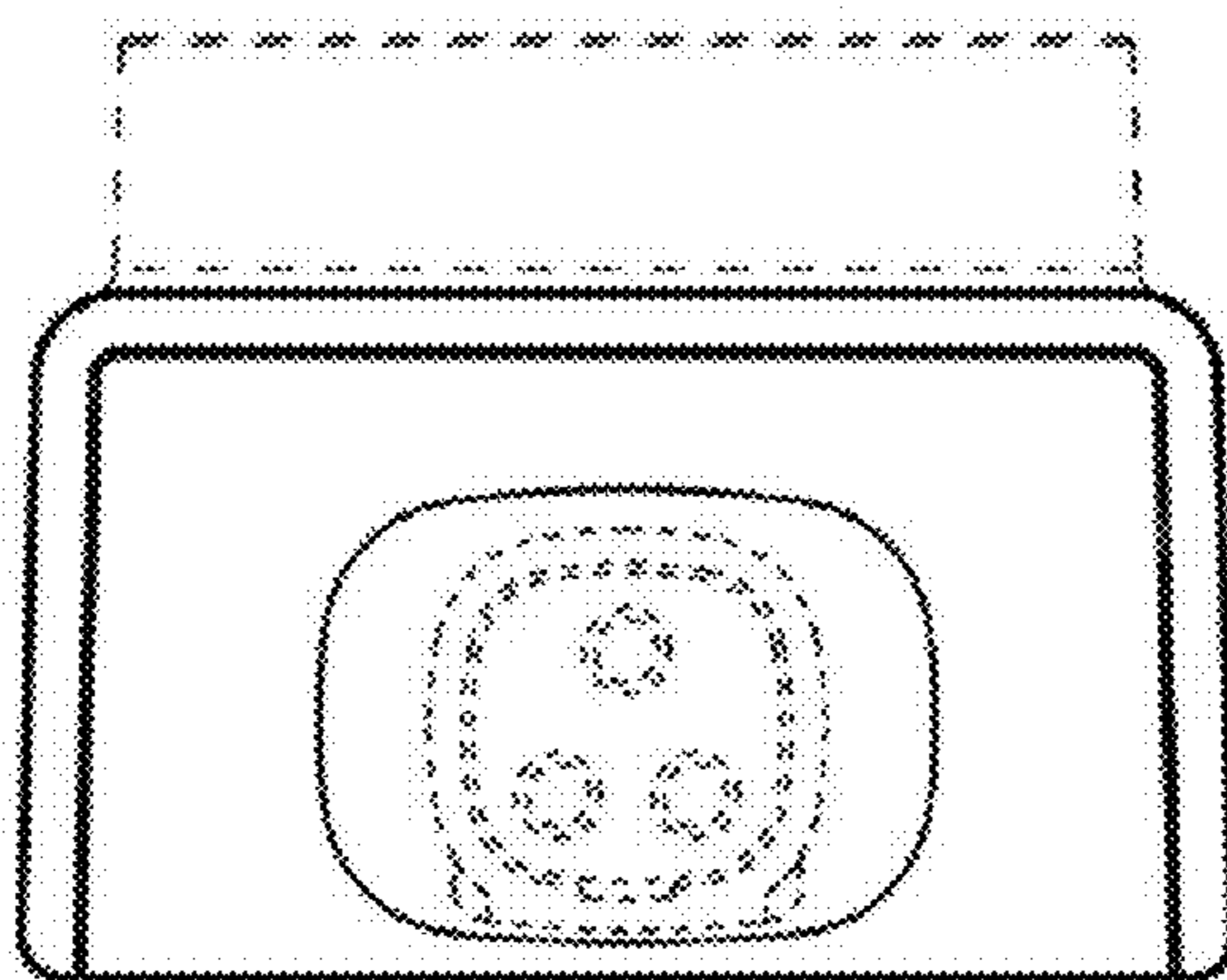


FIG. 3

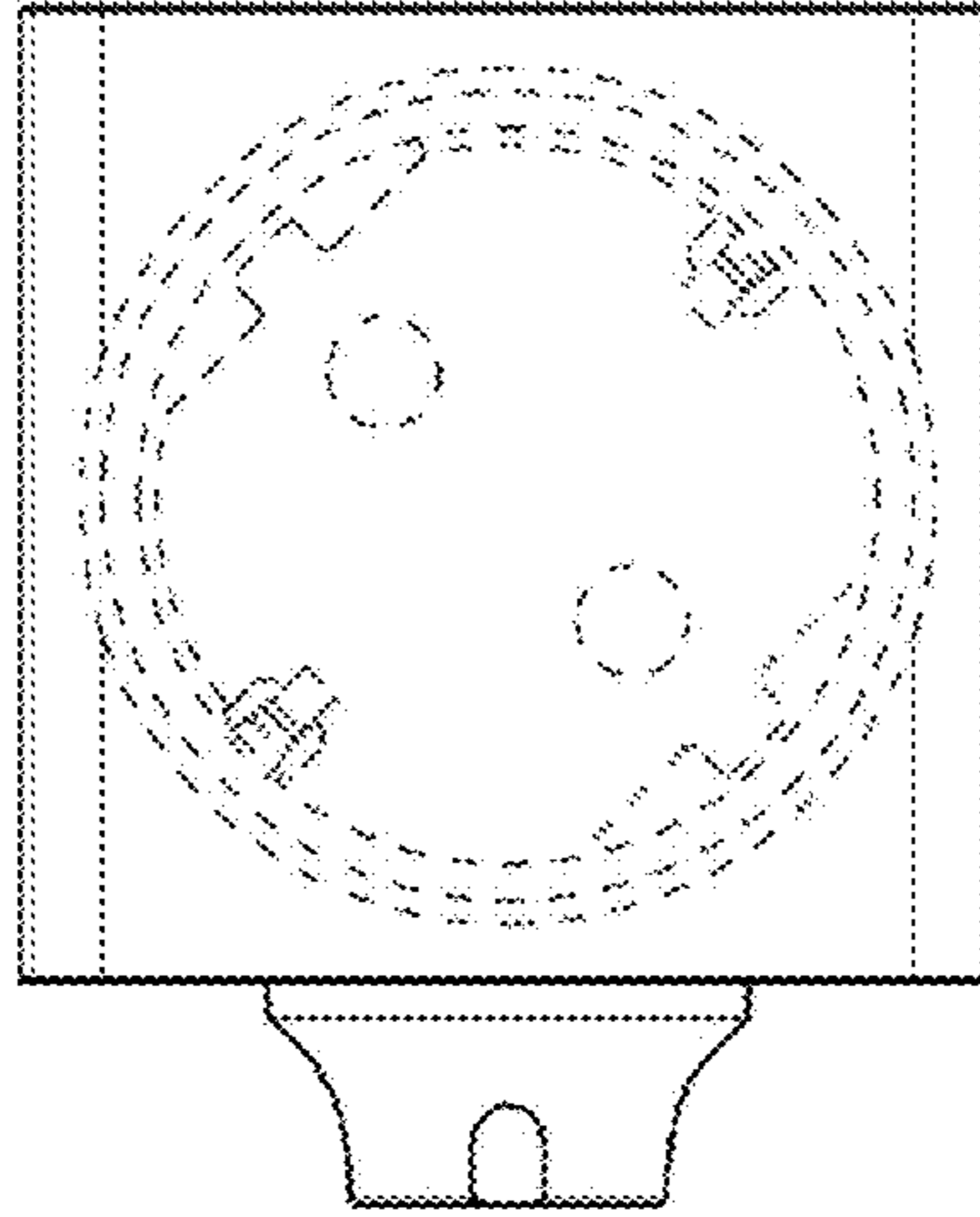


FIG. 4

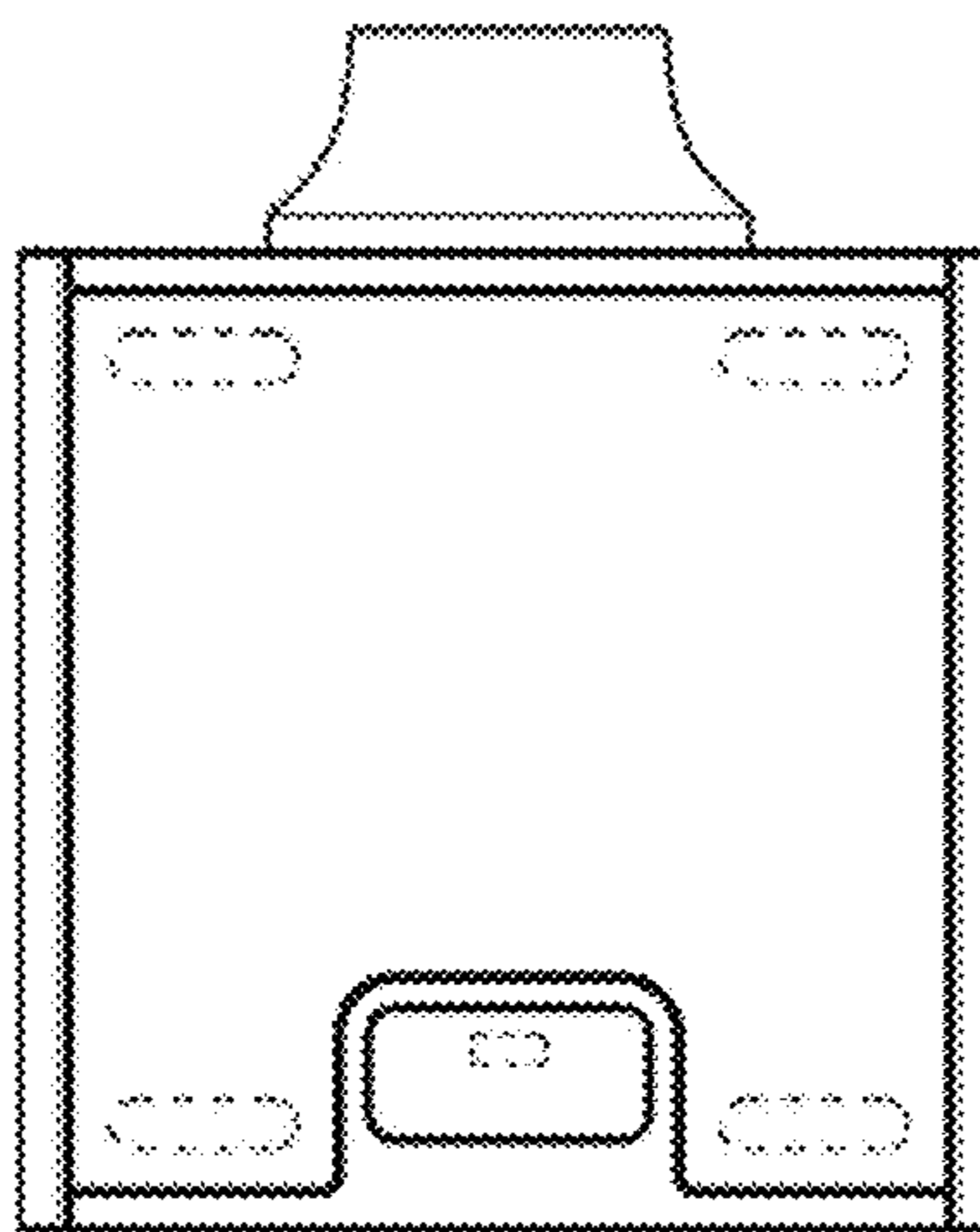


FIG. 5

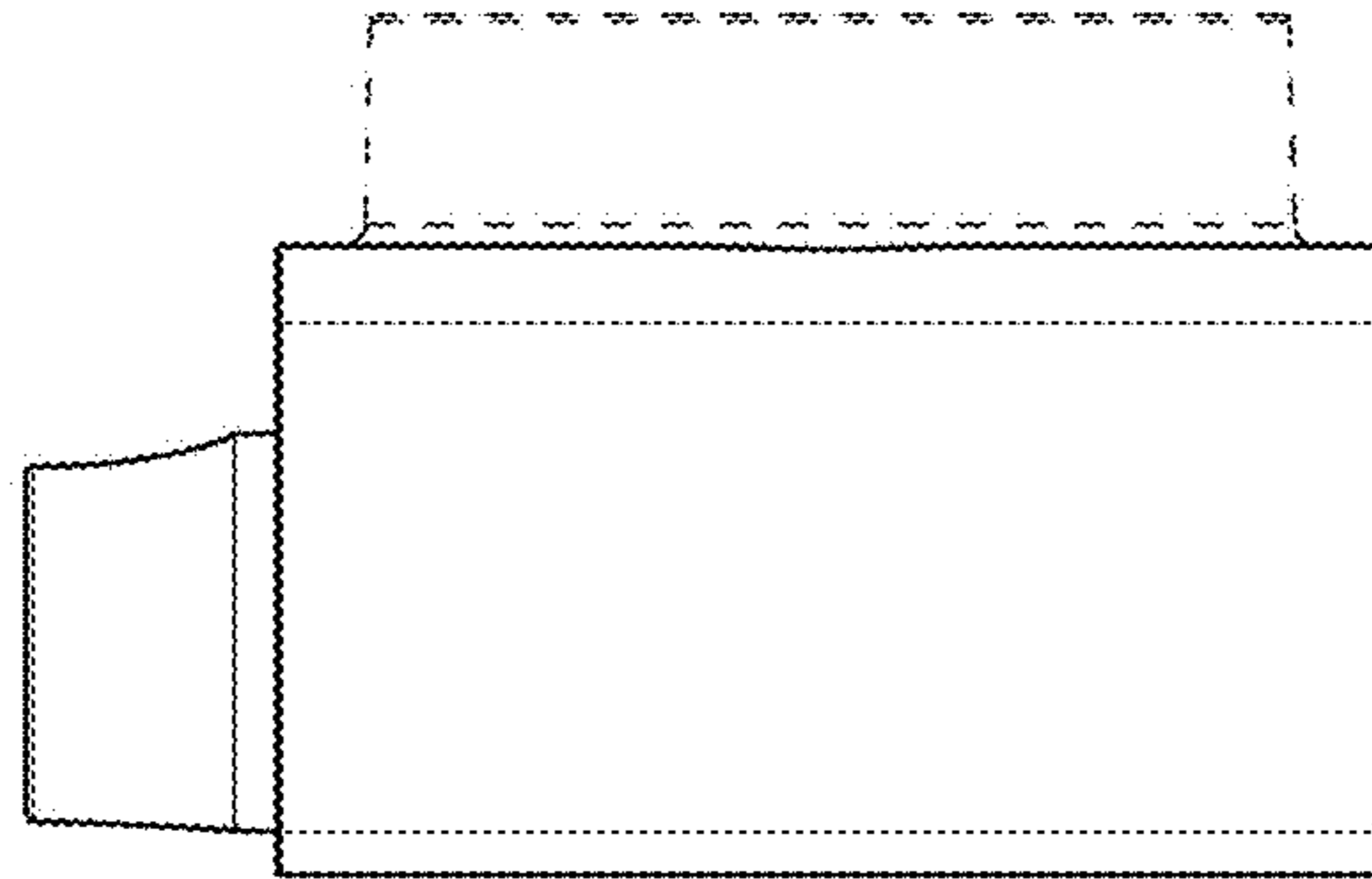


FIG. 6

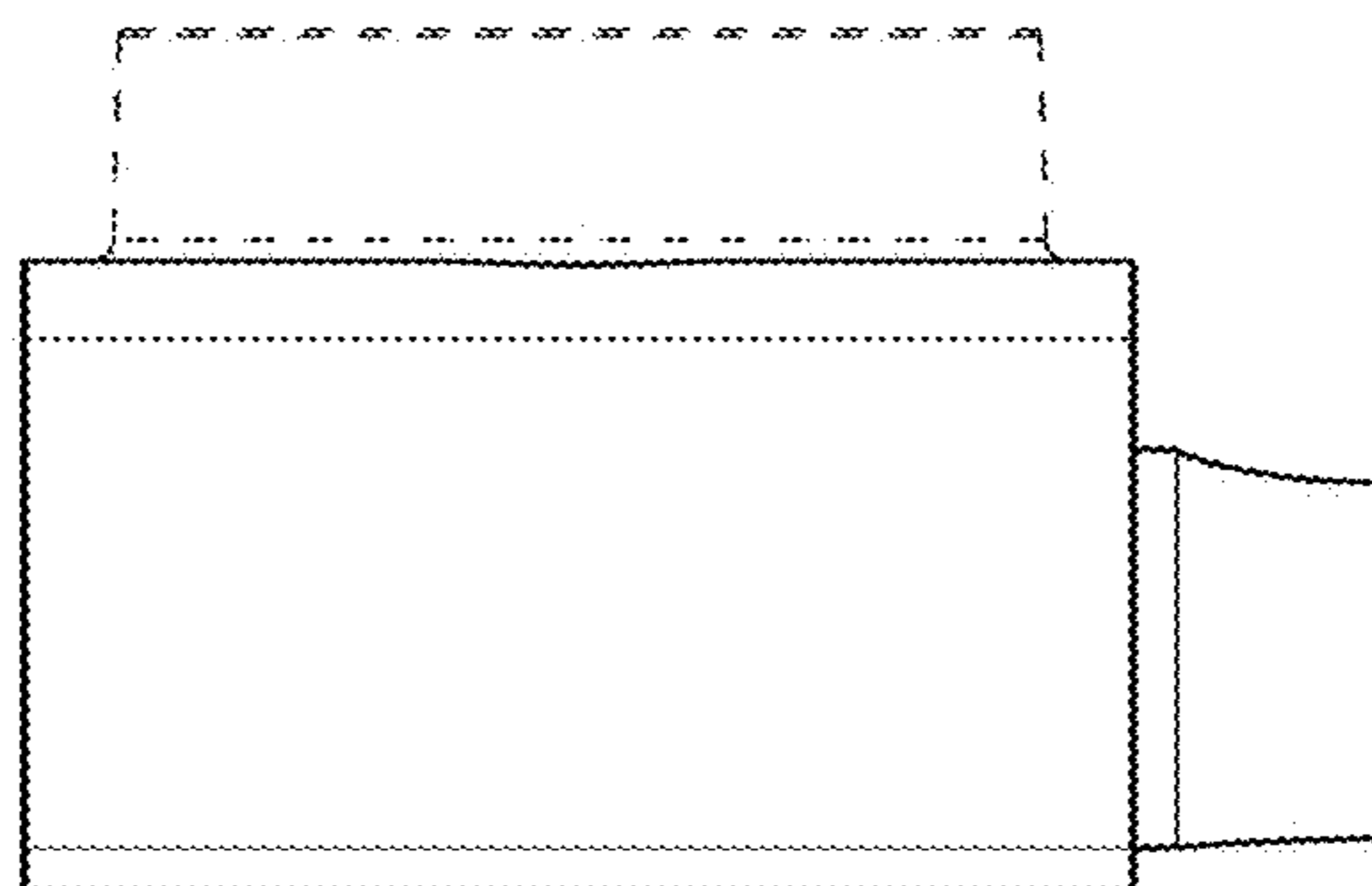


FIG. 7