



US00D754605S

(12) **United States Design Patent**
McMillan

(10) **Patent No.:** **US D754,605 S**
(45) **Date of Patent:** **** Apr. 26, 2016**

(54) **VEHICLE CHARGER CONNECTOR**

- (71) Applicant: **Antonio Trigiani**, Bristol, TN (US)
- (72) Inventor: **Timothy A. McMillan**, Piney Flats, TN (US)
- (73) Assignee: **Antonio Trigiani**, Bristol, TN (US)
- (**) Term: **14 Years**
- (21) Appl. No.: **29/467,014**
- (22) Filed: **Sep. 13, 2013**
- (51) **LOC (10) Cl.** **13-03**
- (52) **U.S. Cl.**
USPC **D13/133**
- (58) **Field of Classification Search**
USPC D12/16, 400; D13/107, 110, 123, 133,
D13/145, 147, 152, 154-156, 184, 199
CPC B60L 11/18; H01K 13/11; H01K 24/00;
H05K 13/00
See application file for complete search history.

(56) **References Cited**

U.S. PATENT DOCUMENTS

D409,563	S	*	5/1999	Haase et al.	D13/107
5,926,005	A	*	7/1999	Holcomb et al.	320/113
D481,679	S	*	11/2003	Garver	D13/133
D578,473	S	*	10/2008	Okuda et al.	D13/107
8,202,124	B1	*	6/2012	Natter et al.	439/620.21
D694,188	S	*	11/2013	Ferguson et al.	D13/133
2006/0274996	A1	*	12/2006	Mine et al.	385/88
2012/0276782	A1	*	11/2012	Stack et al.	439/660

OTHER PUBLICATIONS

Charge Receptacles, dated Nov. 23, 2010, [online], [site visited May 28, 2015]. Available from Internet, <URL: http://golfcarttrader.com/batt_chargers_/charger_receptacles.htm>.*

* cited by examiner

Primary Examiner — Daniel Bui

Assistant Examiner — Shawn T Gingrich

(74) *Attorney, Agent, or Firm* — Knox Patents; Thomas A. Kulaga

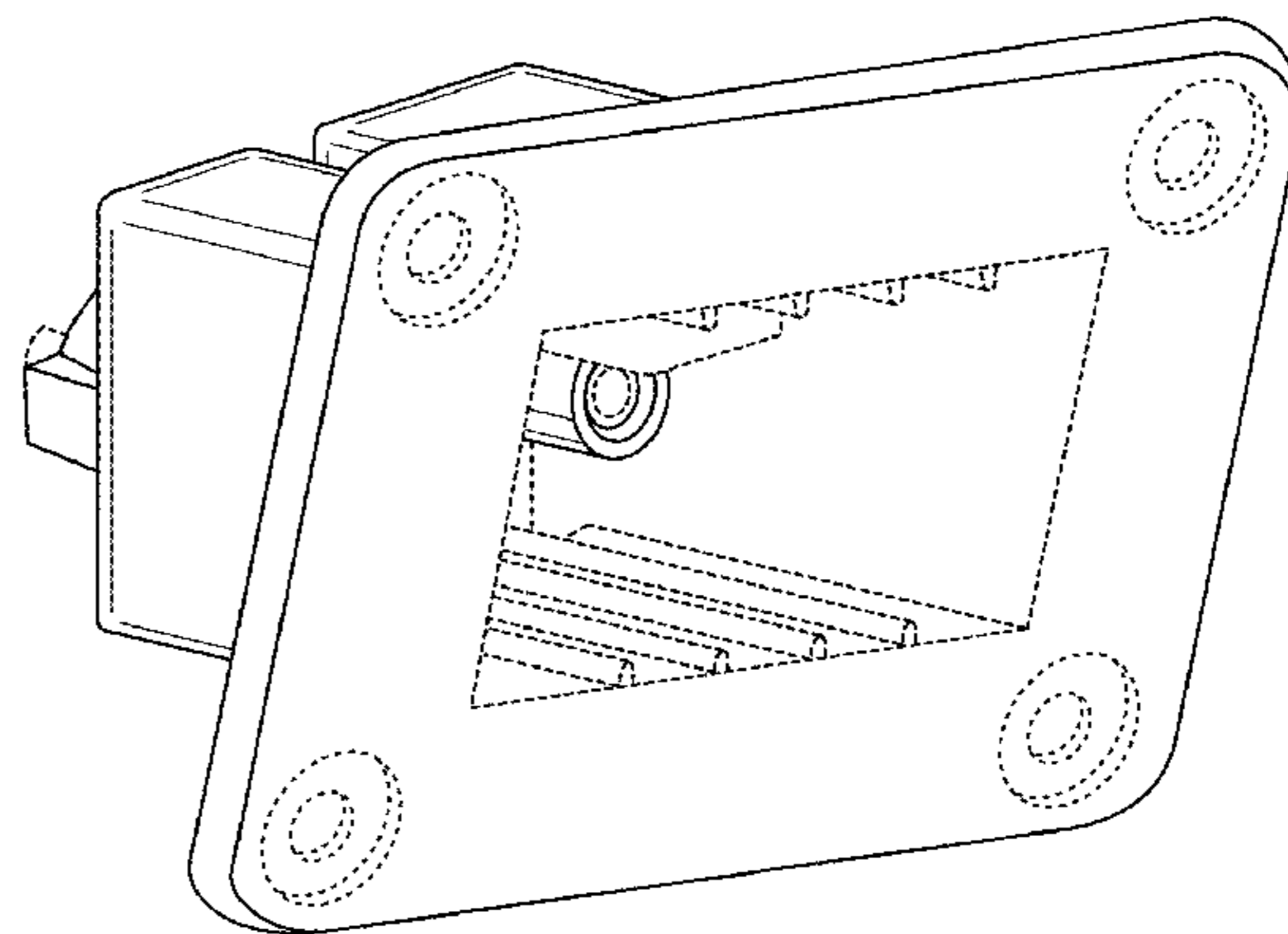
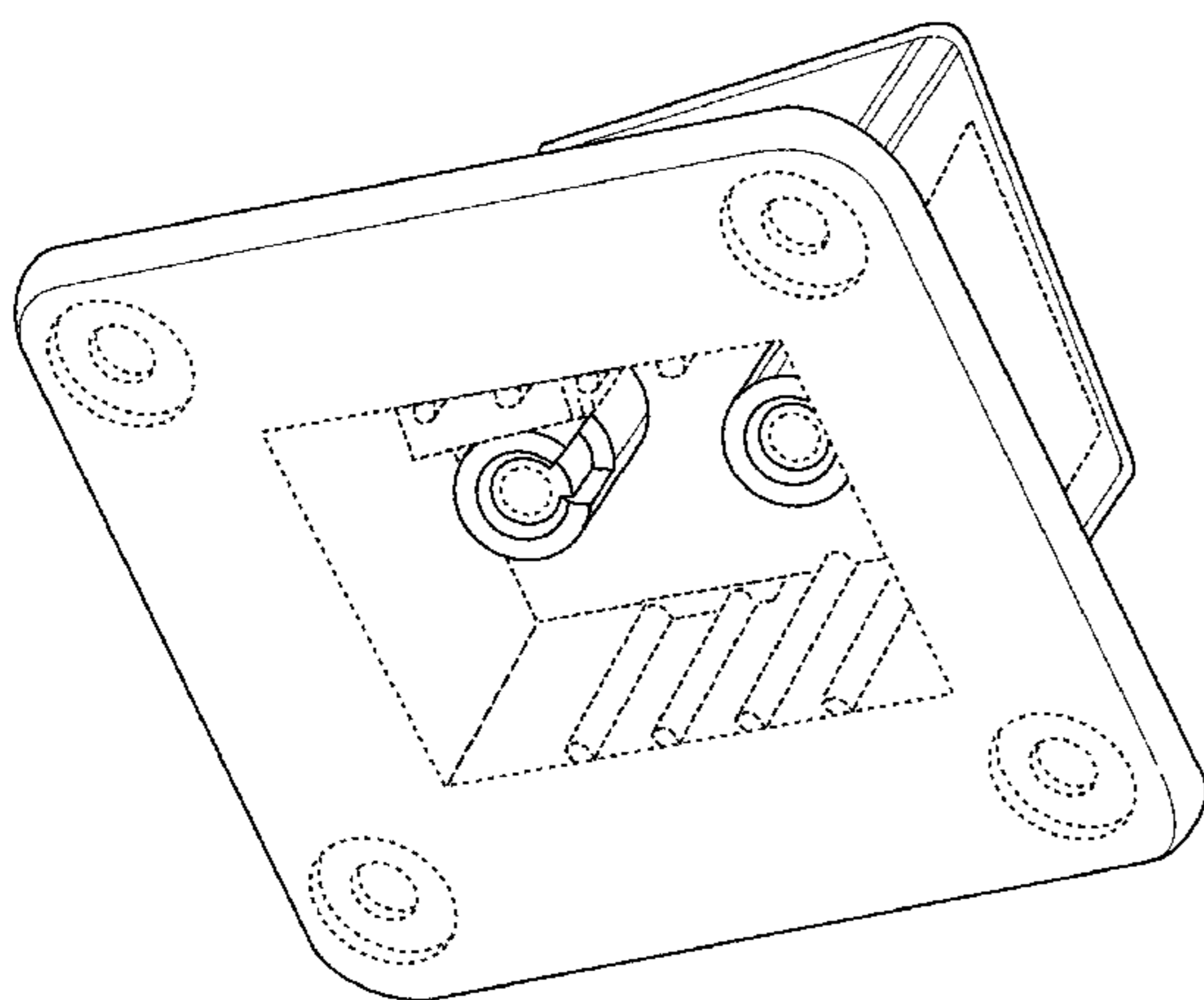
(57) **CLAIM**

The ornamental design for a vehicle charger connector, as shown and described.

DESCRIPTION

FIG. 1 is a front right top perspective view of the vehicle charger connector showing the new design.
 FIG. 2 is front, left, top perspective view thereof.
 FIG. 3 is a left view thereof.
 FIG. 4 is a right view thereof.
 FIG. 5 is a top view thereof.
 FIG. 6 is a bottom view thereof.
 FIG. 7 is a front view thereof.
 FIG. 8 is a back view thereof.
 FIG. 9 is a back-left side view thereof showing a side view of the plate; and,
 FIG. 10 is a back-bottom side view thereof showing a side view of the plate.
 The broken lines are for illustrative purposes only and form no part of the claimed design.

1 Claim, 5 Drawing Sheets



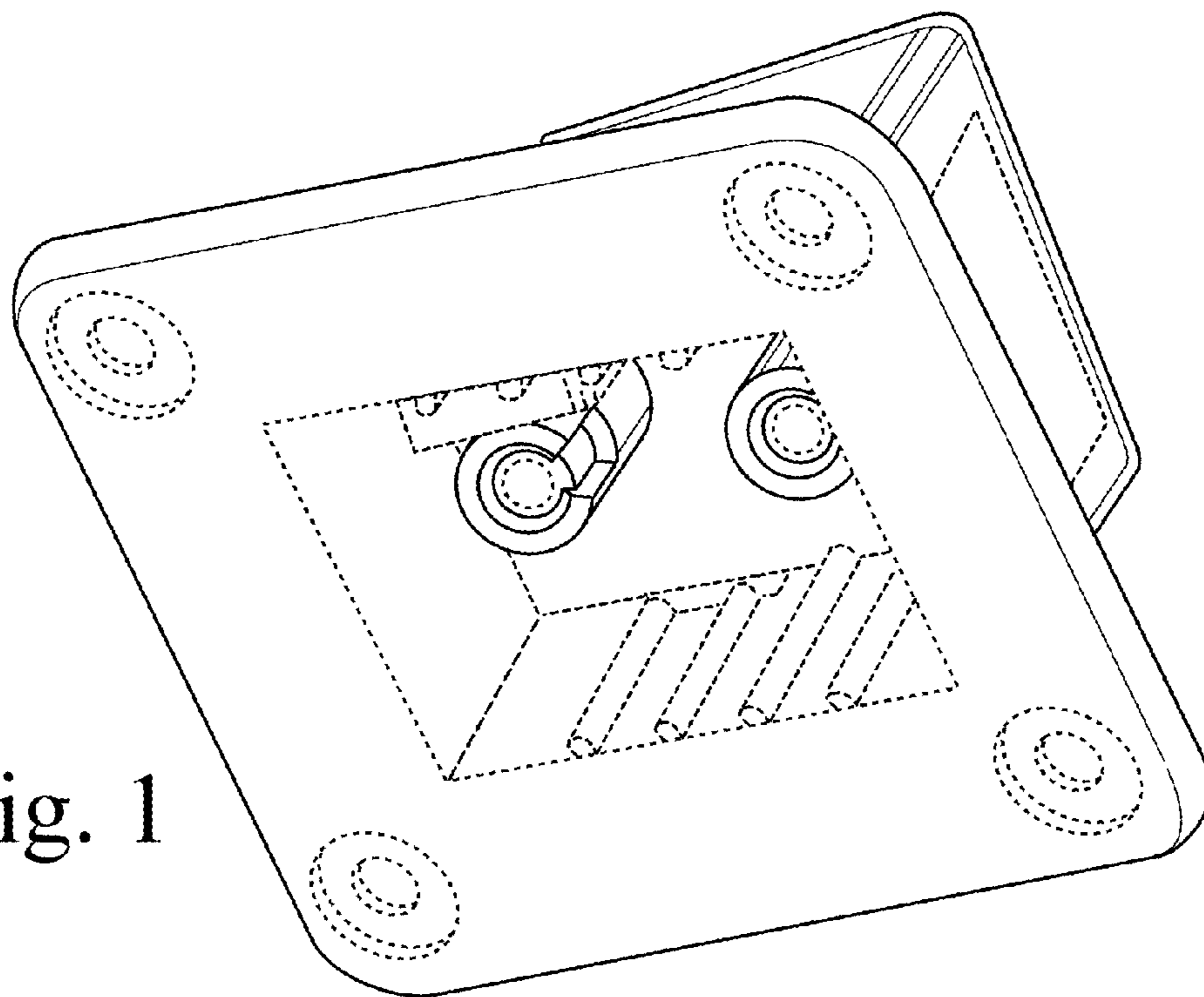


Fig. 1

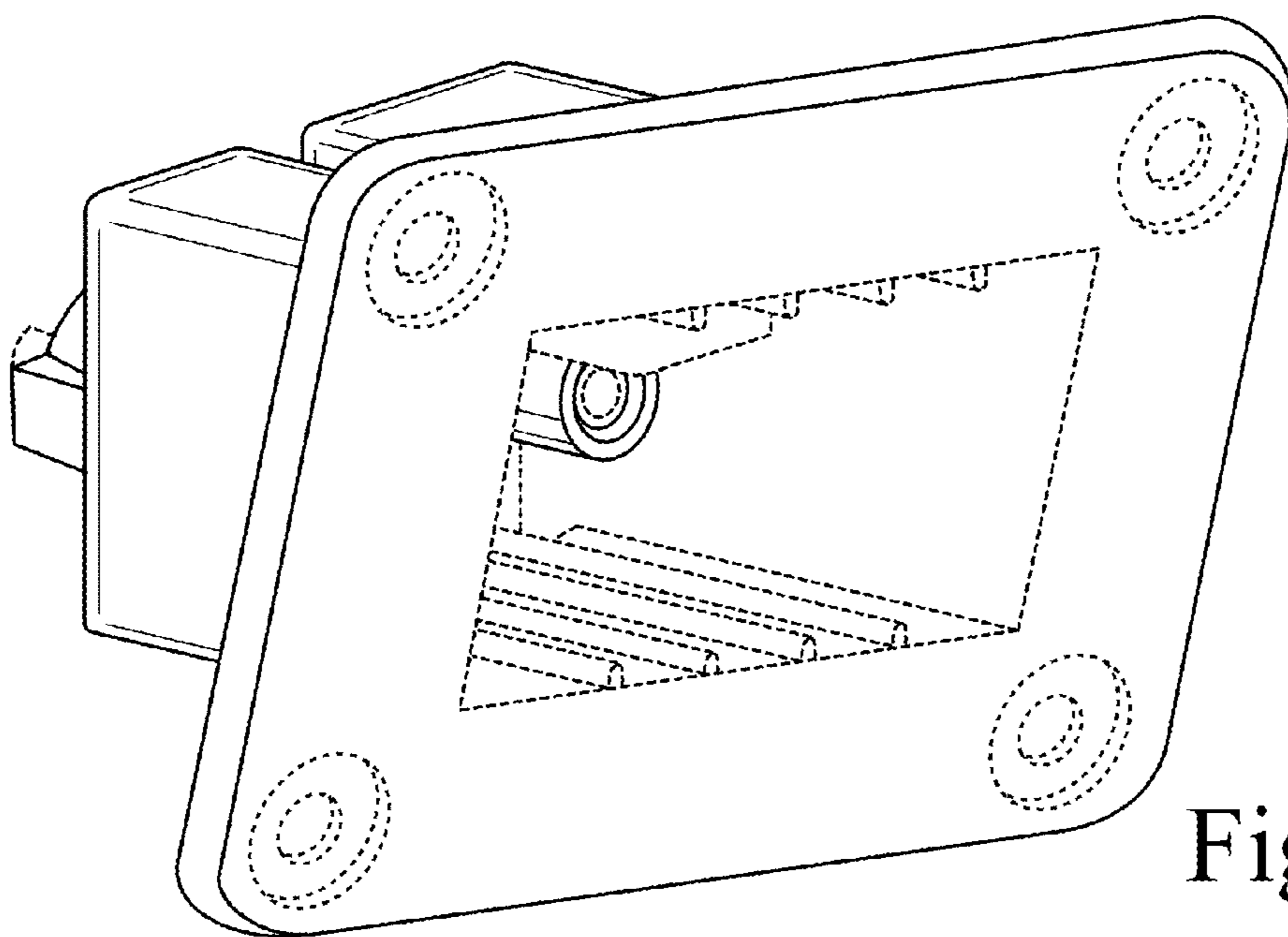


Fig. 2

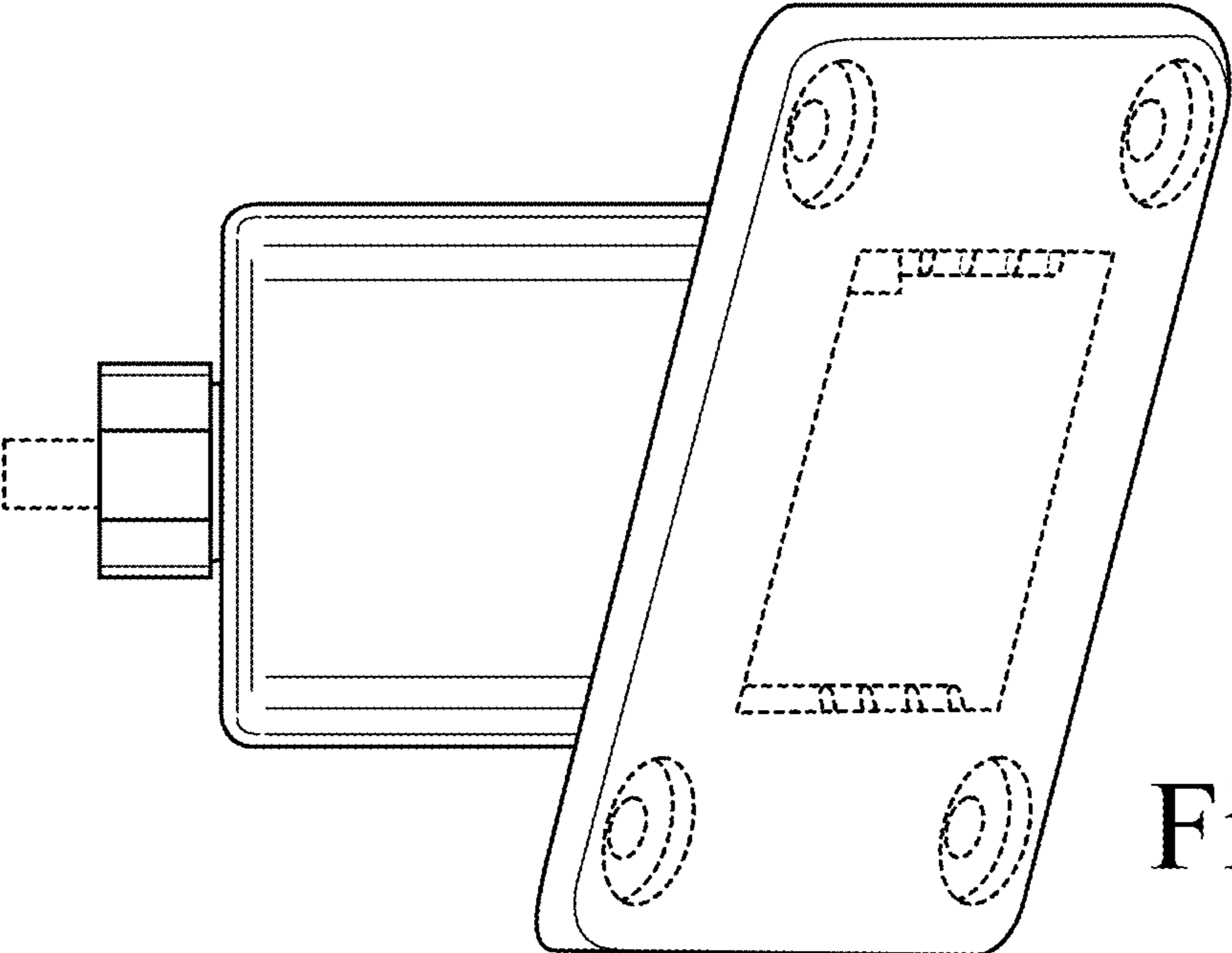


Fig. 3

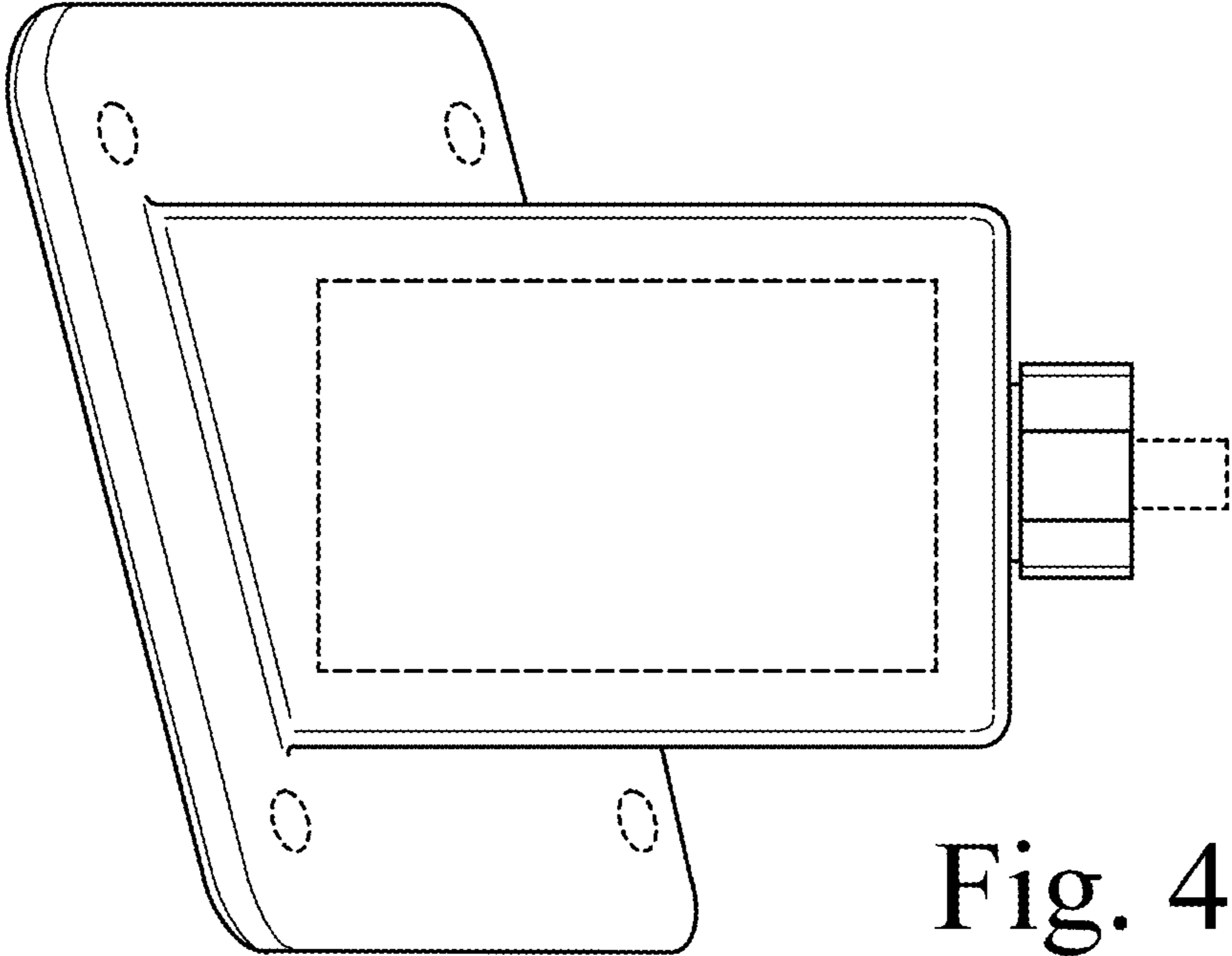


Fig. 4

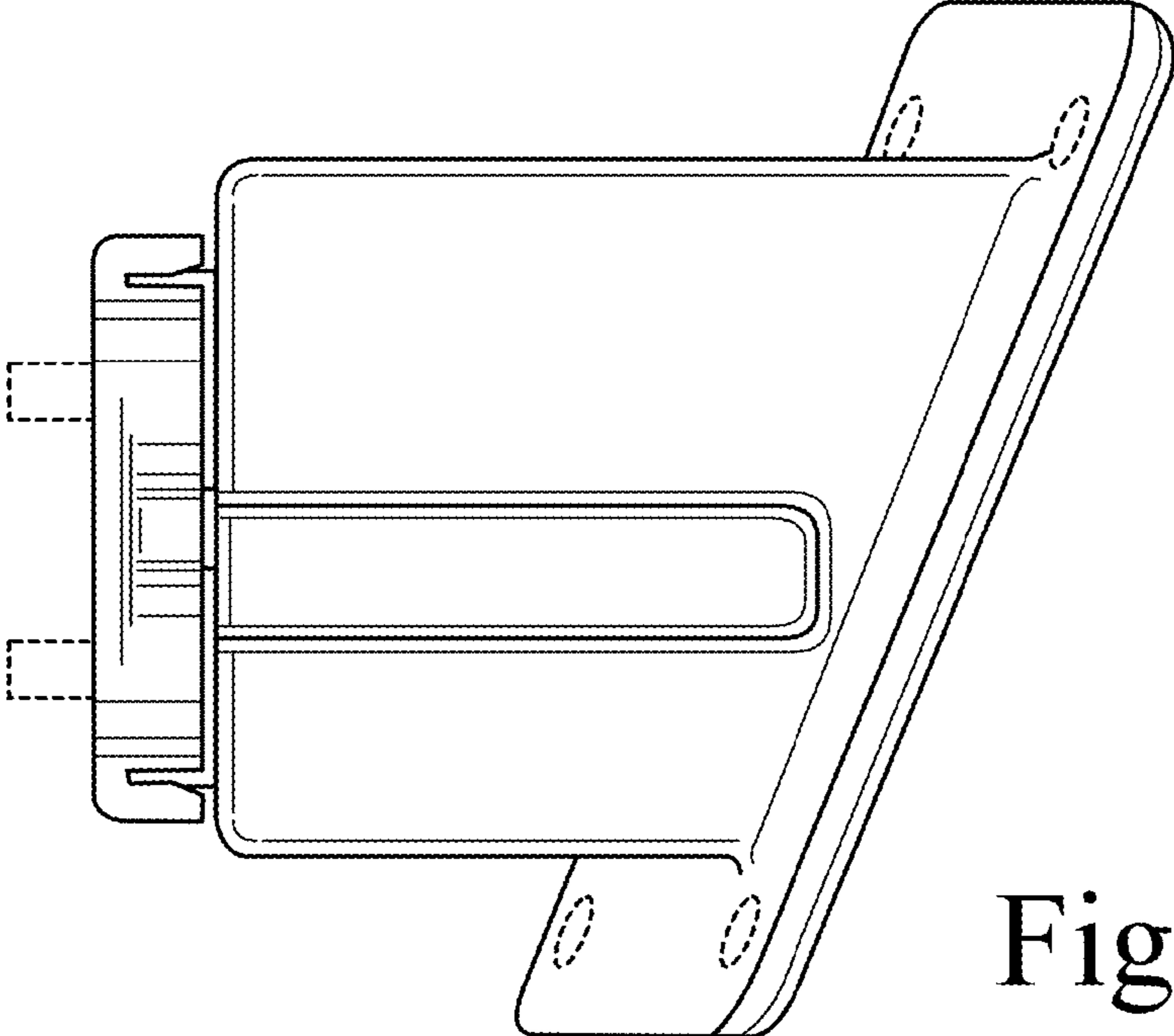


Fig. 5

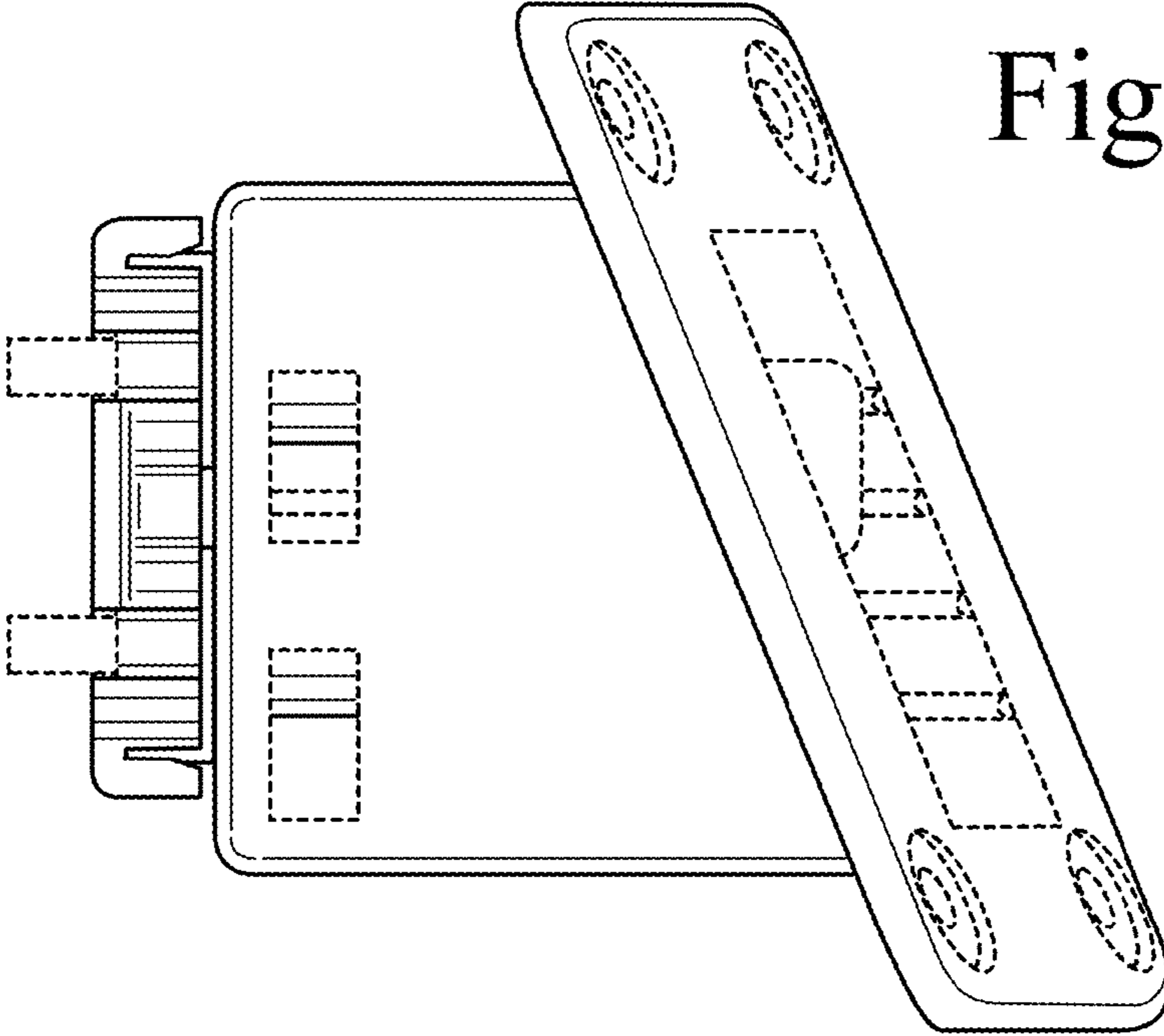


Fig. 6

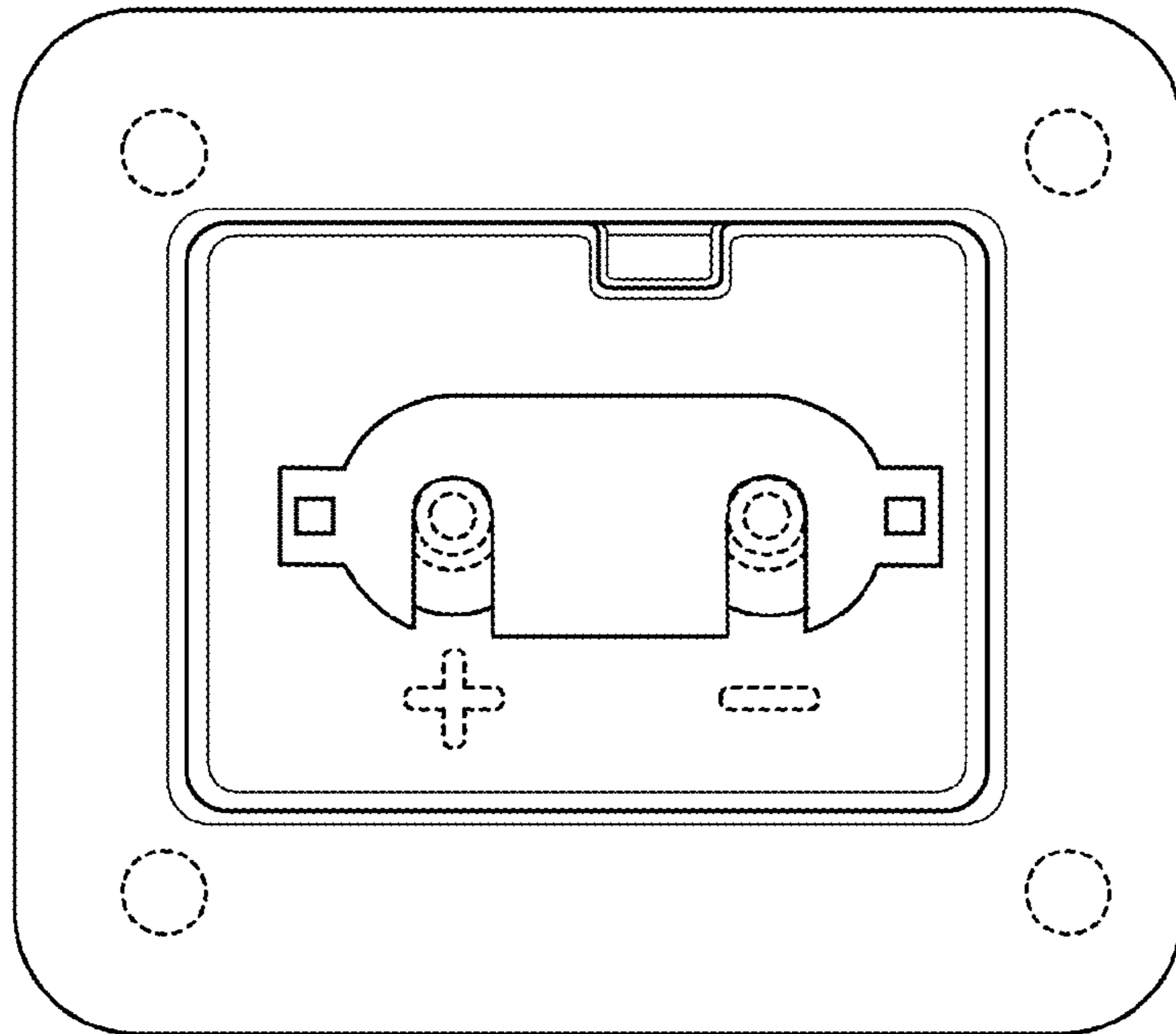


Fig. 7

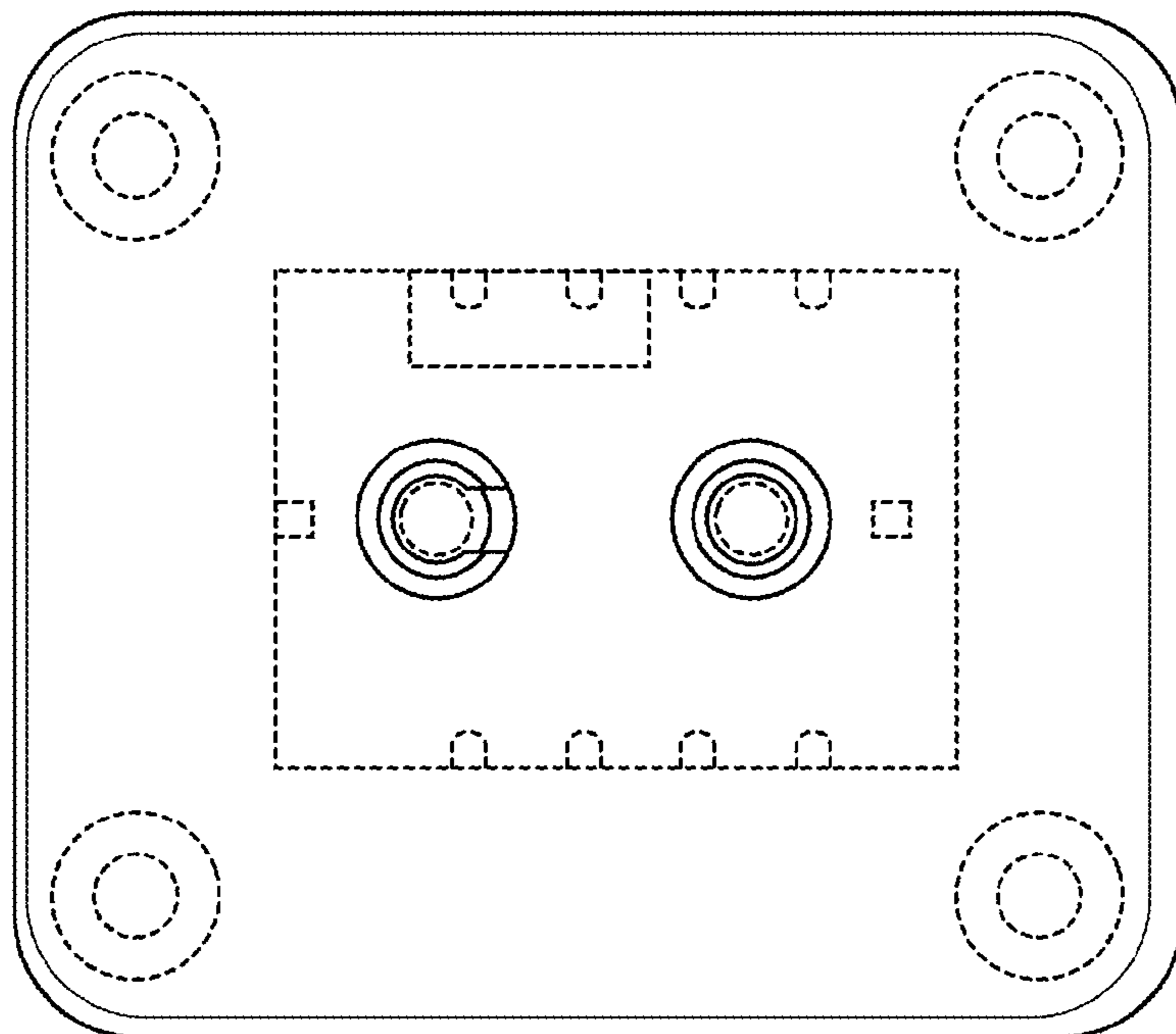


Fig. 8

Fig. 9

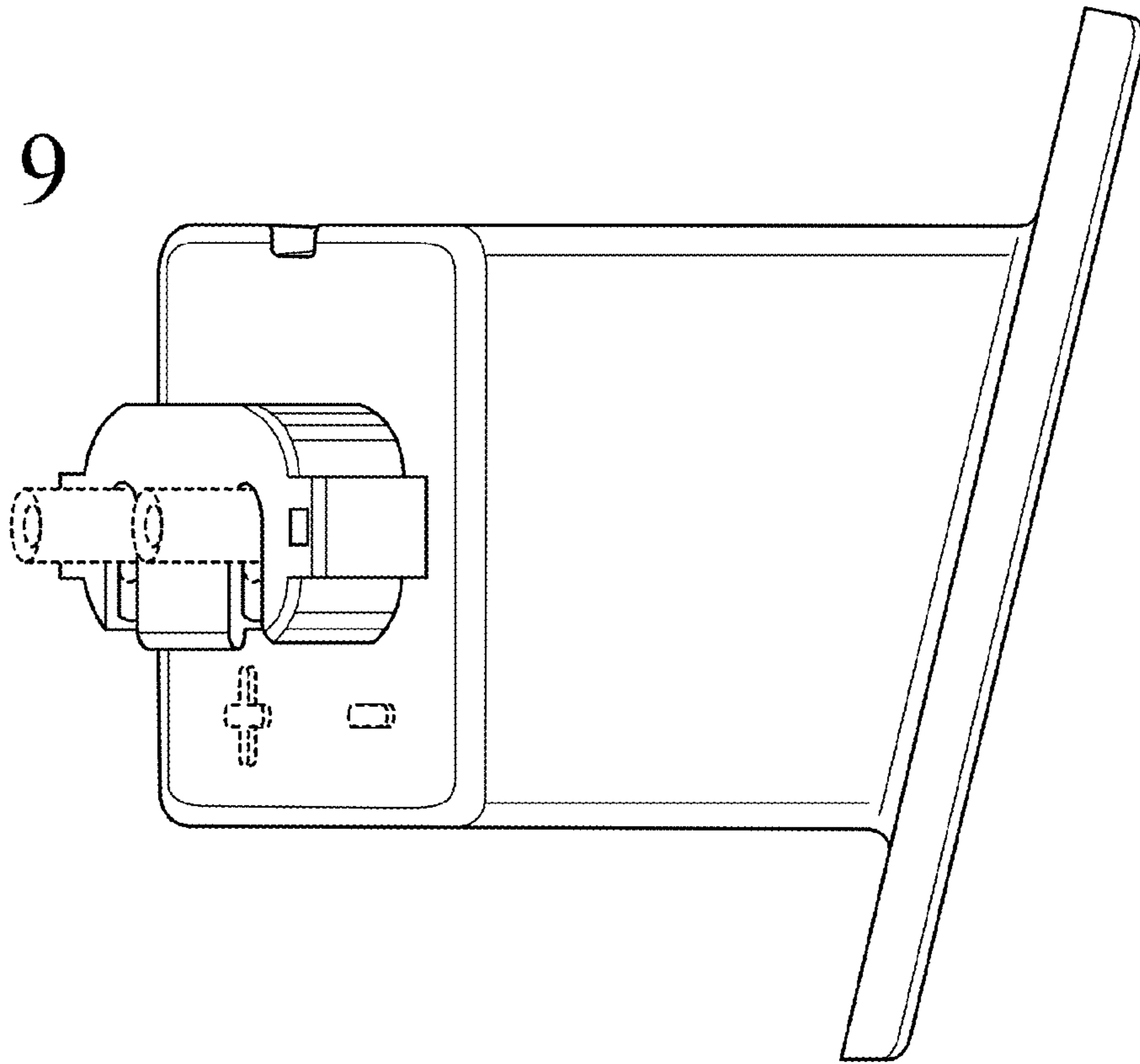


Fig. 10

