



US00D754602S

(12) **United States Design Patent**
Capriola

(10) **Patent No.:** **US D754,602 S**
(45) **Date of Patent:** **** Apr. 26, 2016**

(54) **MOBILE POWER SUPPLY**

(71) Applicant: **Jonathan P. Capriola**, Sarasota, FL
(US)

(72) Inventor: **Jonathan P. Capriola**, Sarasota, FL
(US)

(**) Term: **15 Years**

(21) Appl. No.: **29/534,295**

(22) Filed: **Jul. 28, 2015**

Related U.S. Application Data

(62) Division of application No. 29/449,895, filed on Mar. 15, 2013, now Pat. No. Des. 737,763.

(51) **LOC (10) Cl.** **13-02**

(52) **U.S. Cl.**
USPC **D13/110**

(58) **Field of Classification Search**
USPC D13/103, 110, 118, 123, 124, 133, 154,
D13/158, 160, 162, 162.1, 164, 168, 169,
D13/171, 199; 446/91, 128; D21/300,
D21/331-333, 484

CPC . A63H 33/04; A63F 13/24; A63F 2009/1006;
G06F 1/1654; G09F 1/1654; G09B 23/183;
G09B 5/00

See application file for complete search history.

(56) **References Cited**

U.S. PATENT DOCUMENTS

D263,299 S *	3/1982	Jacobs	D13/168
4,883,440 A *	11/1989	Bolli	A63H 33/042 439/752
D313,398 S *	1/1991	Gilchrist	D13/164
D315,144 S *	3/1991	Dard	D10/46
D336,462 S *	6/1993	Maes	D13/158
D415,098 S *	10/1999	Zimmer	D13/103
D454,546 S *	3/2002	MacKay	D13/160
6,443,796 B1 *	9/2002	Shackelford	A63H 33/042 273/237
D497,145 S *	10/2004	Seo	D13/158

D497,395 S *	10/2004	Hancock	D14/432
D519,937 S *	5/2006	Laurent	D13/160
D519,988 S *	5/2006	Tanaka	D13/168
D521,457 S *	5/2006	Laurent	D13/160
D526,968 S *	8/2006	Castaldo	D13/158
D552,039 S *	10/2007	Liao	D13/162
D580,879 S *	11/2008	Andersson	D13/158
D621,791 S *	8/2010	Koskela	D13/158
D667,380 S *	9/2012	Ishikawa	D13/168
D692,956 S *	11/2013	Kitamura	D21/324
D694,703 S *	12/2013	Faro	D13/103
D706,711 S *	6/2014	Robinson	D13/110
D714,739 S *	10/2014	Rantala	D13/168
D719,533 S *	12/2014	Lin	D13/162
D724,028 S *	3/2015	Norman	D13/123
2010/0311300 A1 *	12/2010	Hansen	A63H 33/042 446/91
2014/0127965 A1 *	5/2014	Adam	A63H 33/042 446/91
2014/0273711 A1 *	9/2014	Capriola	A63H 33/042 446/91

* cited by examiner

Primary Examiner — Derrick Holland

Assistant Examiner — Jennifer O King

(74) *Attorney, Agent, or Firm* — Allen Dyer Doppelt
Milbrath & Gilchrist

(57) **CLAIM**

The ornamental design for a mobile power supply, as shown and described.

DESCRIPTION

FIG. 1 is a front, right, top perspective view of a mobile power supply;

FIG. 2 is a front, right, bottom perspective view thereof;

FIG. 3 is rear view thereof;

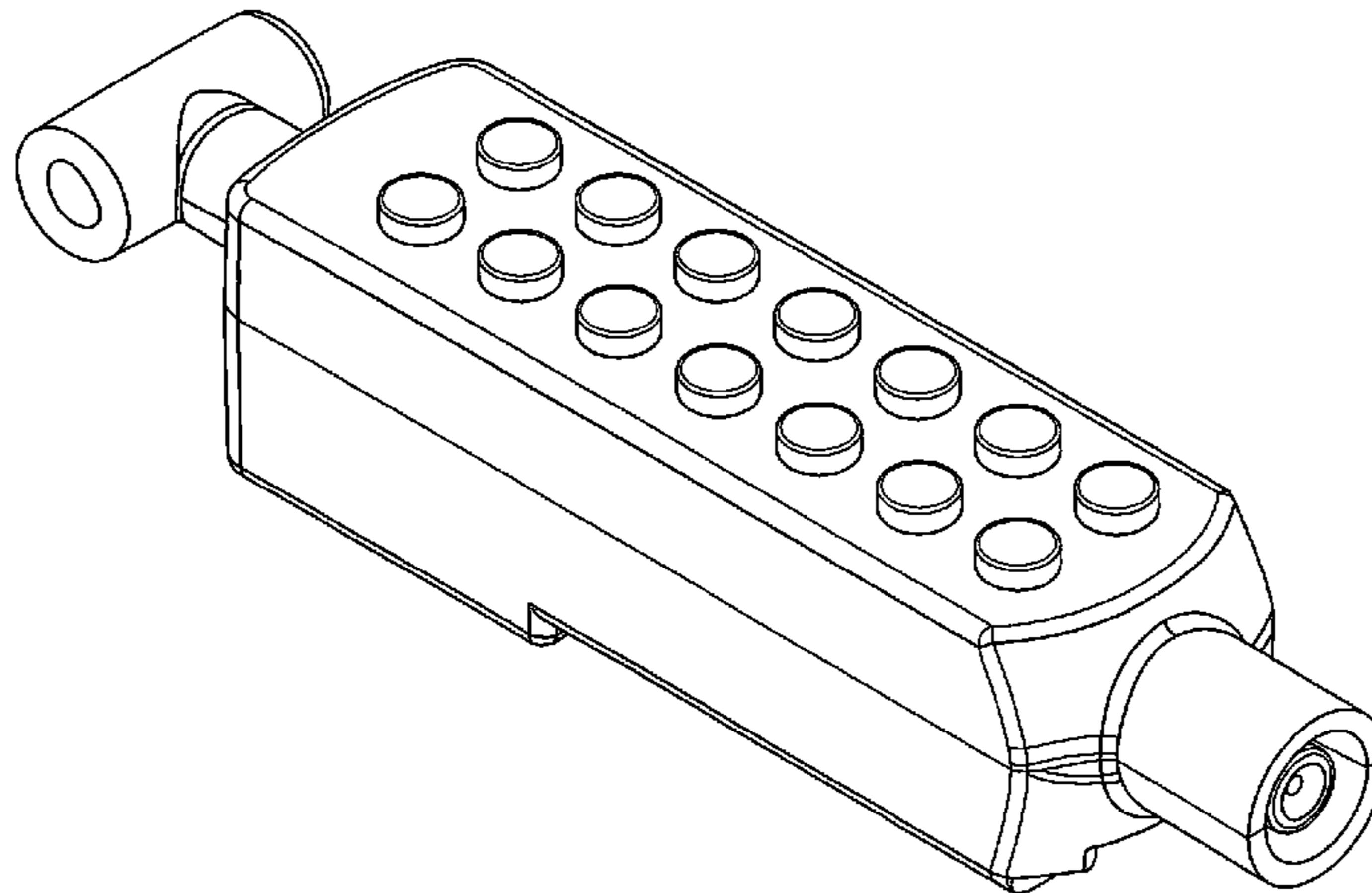
FIG. 4 is an exploded right side view thereof;

FIG. 5 is an exploded top view thereof; and,

FIG. 6 is an end view of a rear portion thereof, shown separated for ease of illustration.

Brackets in FIGS. 4 and 5 form no part of the claimed invention.

1 Claim, 2 Drawing Sheets



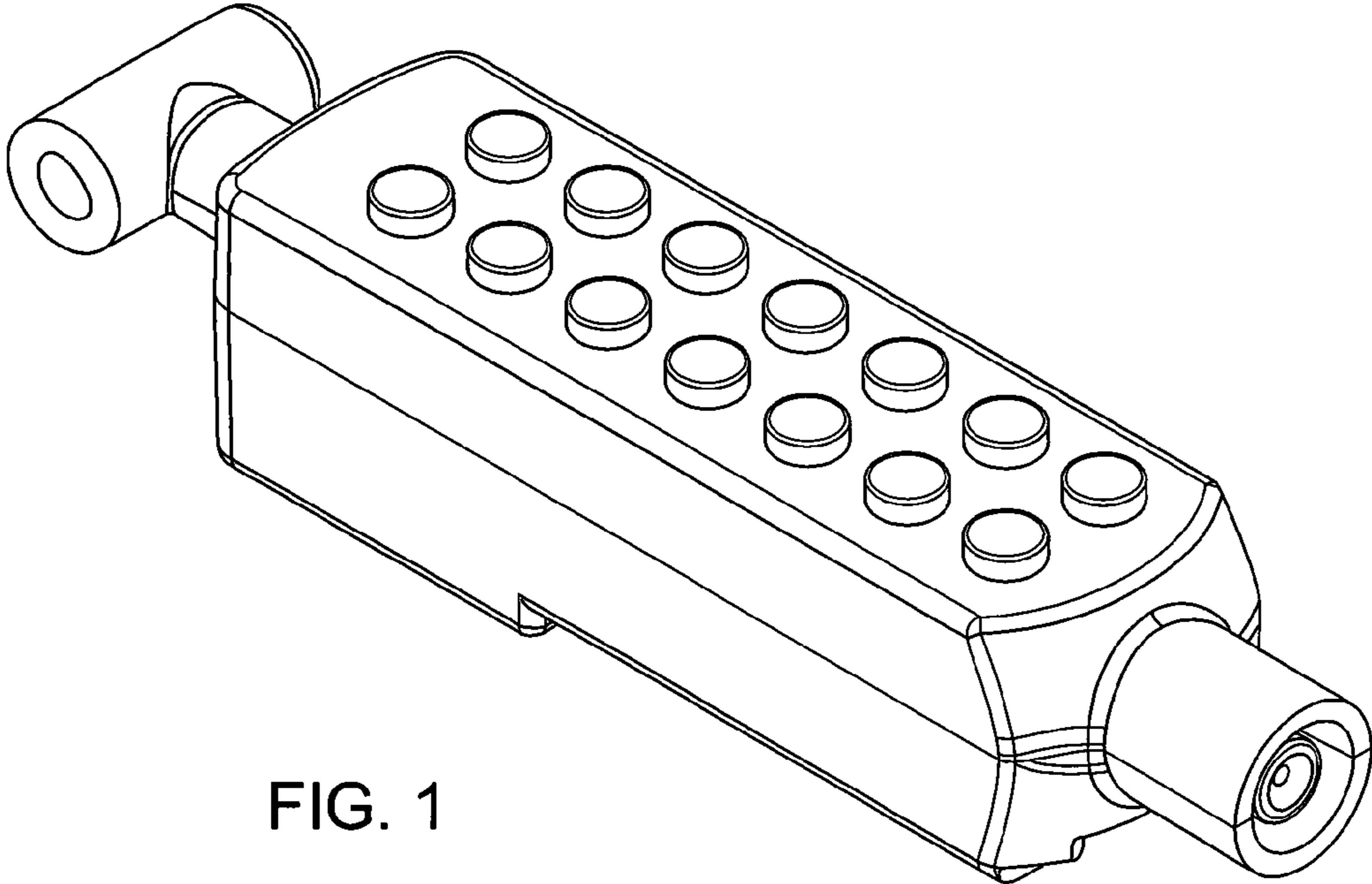


FIG. 1

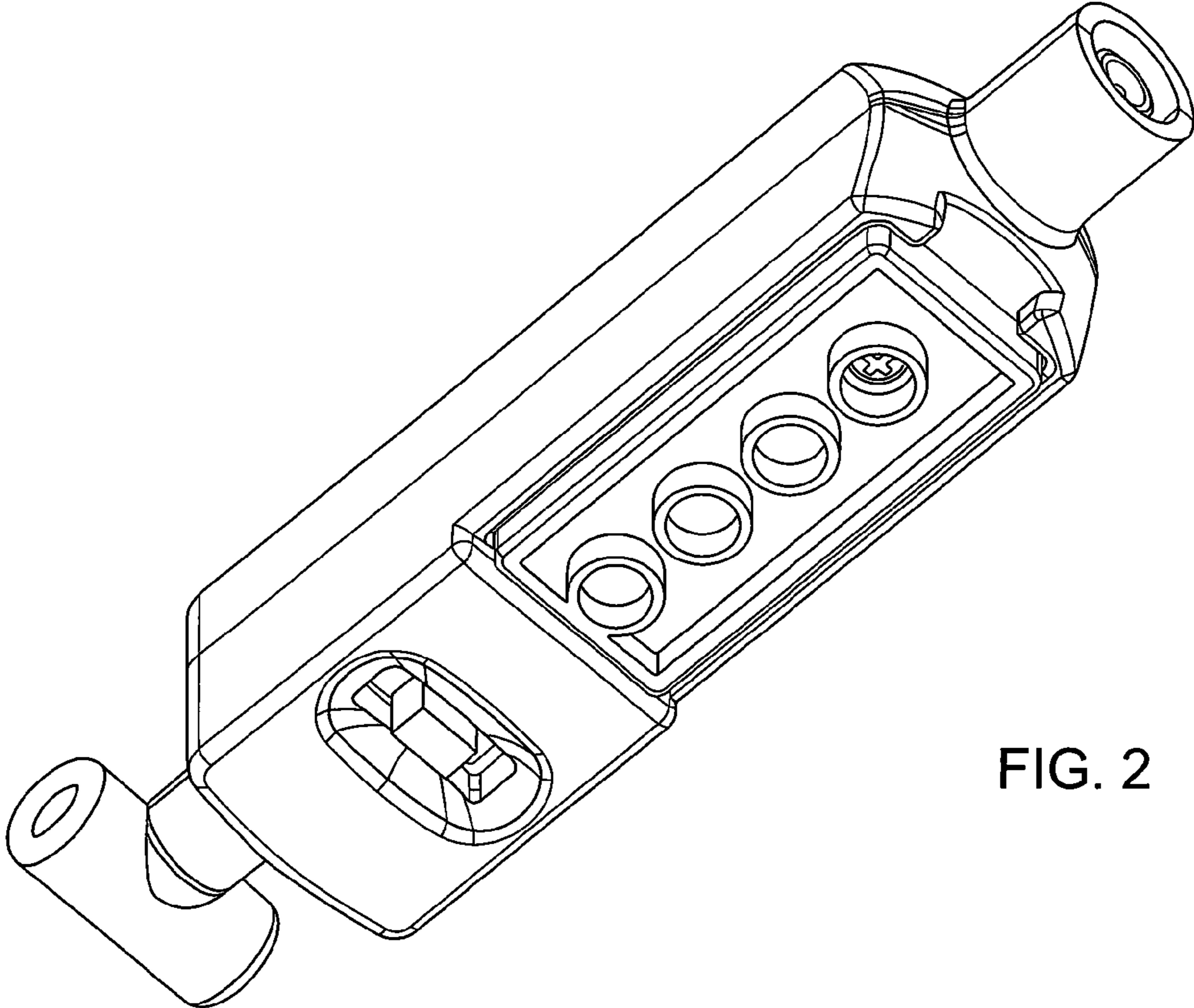


FIG. 2

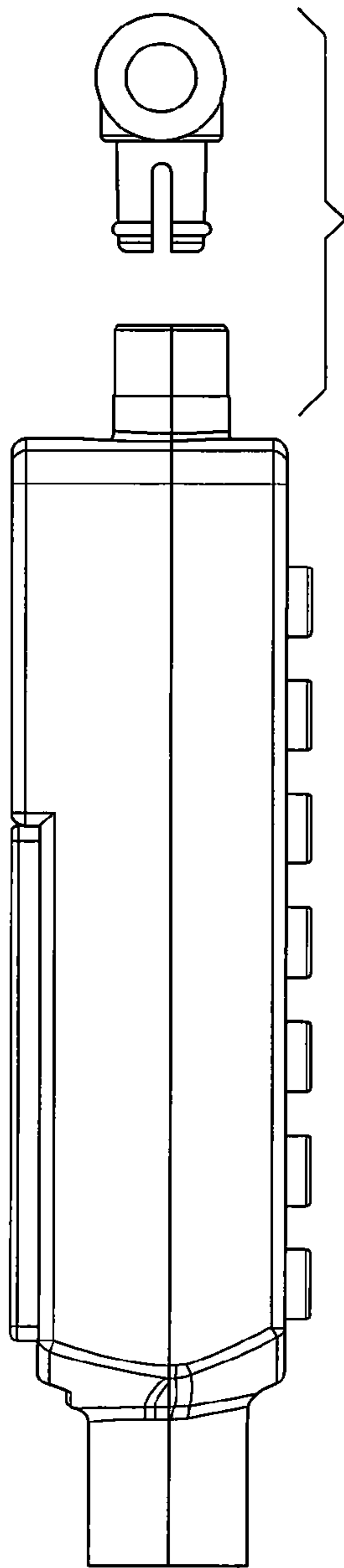


FIG. 4

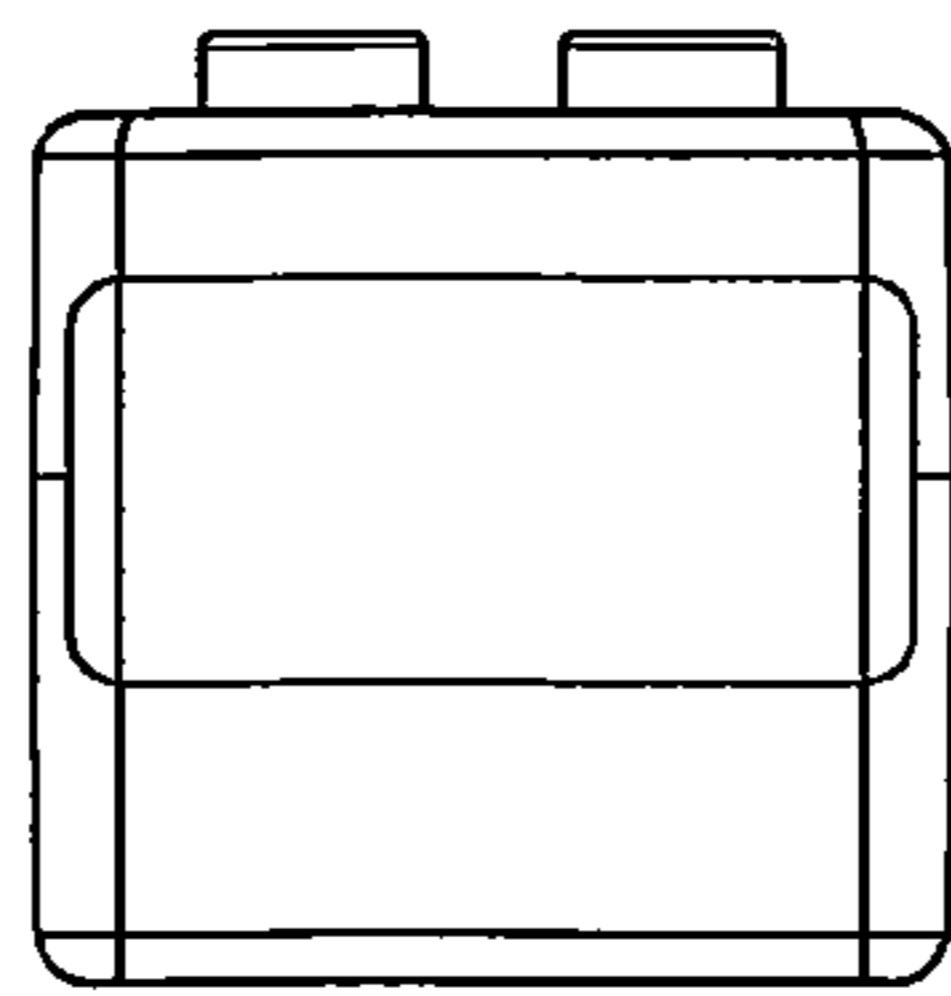


FIG. 3

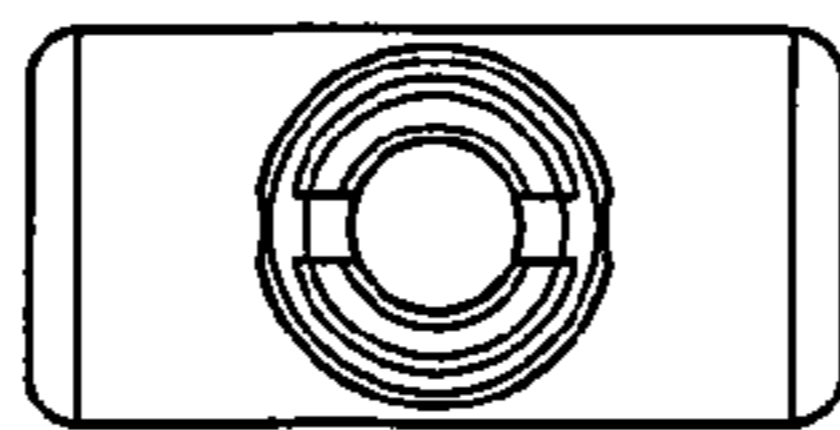


FIG. 6

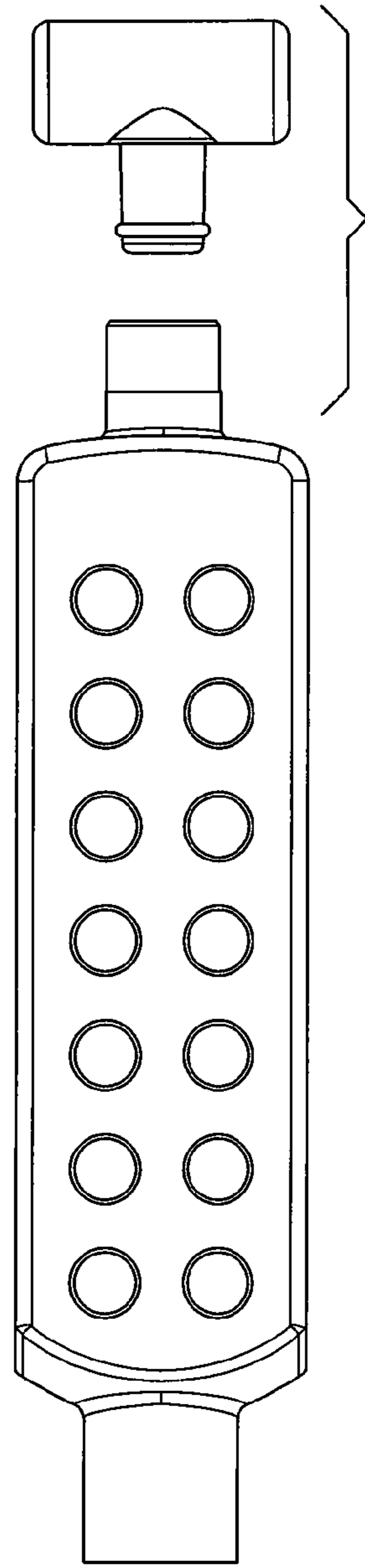


FIG. 5