



US00D754601S

(12) **United States Design Patent**  
**Lai**

(10) **Patent No.:** **US D754,601 S**

(45) **Date of Patent:** **\*\* Apr. 26, 2016**

(54) **CONVERTER**

(71) Applicant: **HON HAI PRECISION INDUSTRY CO., LTD.**, New Taipei (TW)

(72) Inventor: **Yi-Chun Lai**, New Taipei (TW)

(73) Assignee: **HON HAI PRECISION INDUSTRY CO., LTD.**, New Taipei (TW)

(\*\*) Term: **14 Years**

(21) Appl. No.: **29/511,501**

(22) Filed: **Dec. 11, 2014**

(30) **Foreign Application Priority Data**

Oct. 30, 2014 (TW) ..... 103306320

(51) **LOC (10) Cl.** ..... **13-02**

(52) **U.S. Cl.**  
USPC ..... **D13/110**

(58) **Field of Classification Search**

USPC ..... D13/101, 103, 107, 108, 118, 119, 123,  
D13/133, 146, 184, 199; 307/150, 151;  
320/111, 140, 143; 361/679; 363/141,  
363/142, 146, 147; 439/502; D14/253, 432,  
D14/433, 434

CPC ..... H01R 31/06; H01R 25/00; H02J 7/0062;  
H02M 7/003; H05K 7/1432

See application file for complete search history.

(56) **References Cited**

**U.S. PATENT DOCUMENTS**

D342,249 S \* 12/1993 Beaumont et al. .... D14/142  
5,740,001 A \* 4/1998 Flachslaender et al. .... 361/93.1

D494,541 S \* 8/2004 Hriscu et al. .... D13/110  
D495,296 S \* 8/2004 Hussaini et al. .... D13/110  
D503,679 S \* 4/2005 Andre et al. .... D13/110  
D544,438 S \* 6/2007 Hussaini et al. .... D13/110  
D554,584 S \* 11/2007 Feldman et al. .... D13/110  
D558,143 S \* 12/2007 Hsu ..... D13/110  
D560,165 S \* 1/2008 Matityahu et al. .... D13/133  
D561,688 S \* 2/2008 Hussaini et al. .... D13/110  
D601,961 S \* 10/2009 Mahaffey et al. .... D13/123  
D618,169 S \* 6/2010 Ho et al. .... D13/110  
D639,736 S \* 6/2011 Su ..... D13/110  
D671,490 S \* 11/2012 Zaslavsky et al. .... D13/110  
D682,205 S \* 5/2013 Farris-Gilbert et al. .... D13/110  
D682,206 S \* 5/2013 Farris-Gilbert et al. .... D13/110  
D712,832 S \* 9/2014 Zhou ..... D13/110

\* cited by examiner

*Primary Examiner* — Derrick Holland

*Assistant Examiner* — Jennifer O King

(74) *Attorney, Agent, or Firm* — Novak Druce Connolly  
Bove + Quigg LLP

(57) **CLAIM**

I claim the ornamental design for a converter, as shown and described.

**DESCRIPTION**

FIG. 1 is a perspective view of a converter showing my new design;

FIG. 2 is a front elevational view thereof;

FIG. 3 is a rear elevational view thereof;

FIG. 4 is a left side elevational view thereof;

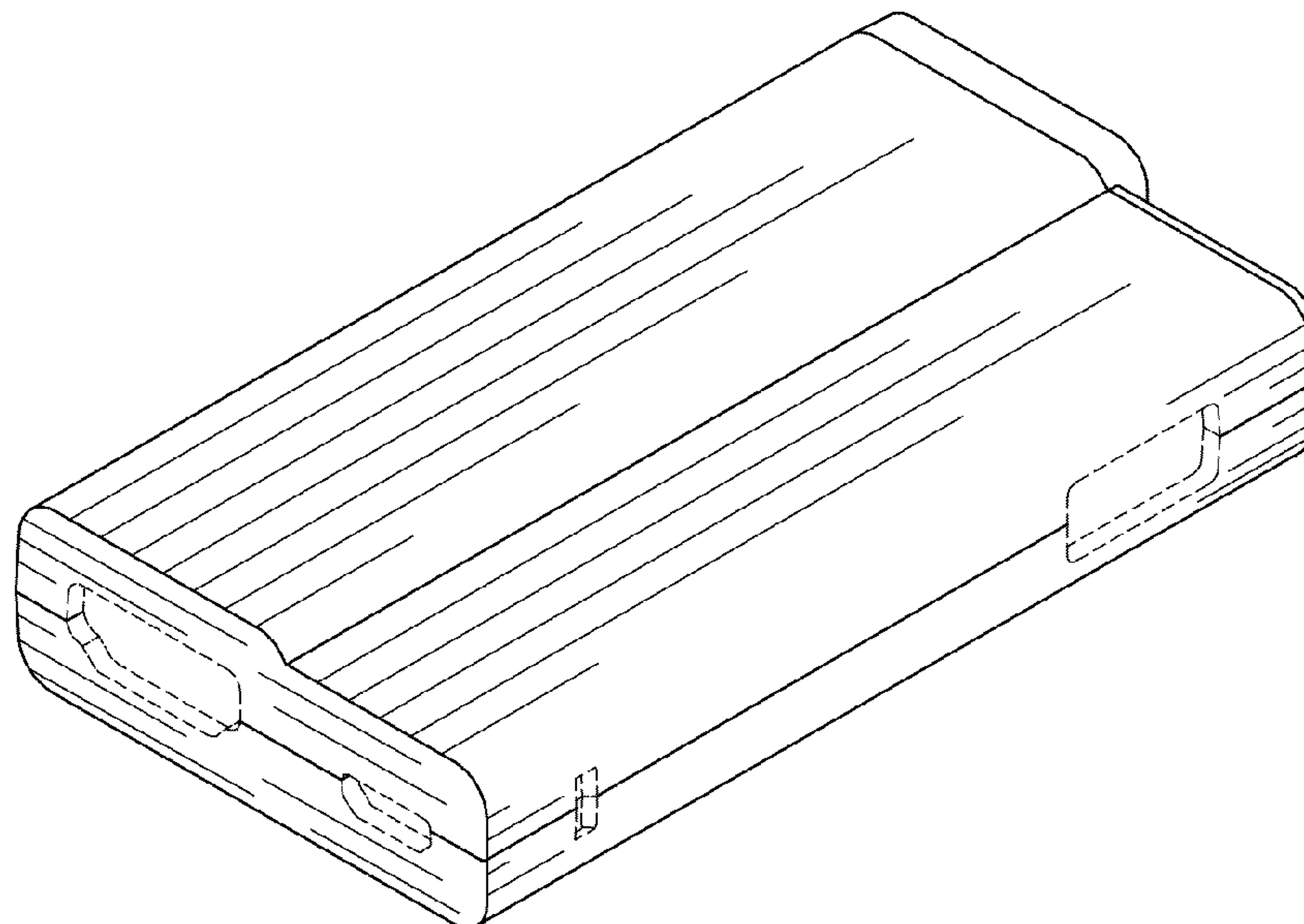
FIG. 5 is a right side elevational view thereof;

FIG. 6 is a top plan view thereof; and,

FIG. 7 is a bottom plan view thereof.

The broken lines shown represent unclaimed subject matter and form no part of the claimed design.

**1 Claim, 7 Drawing Sheets**



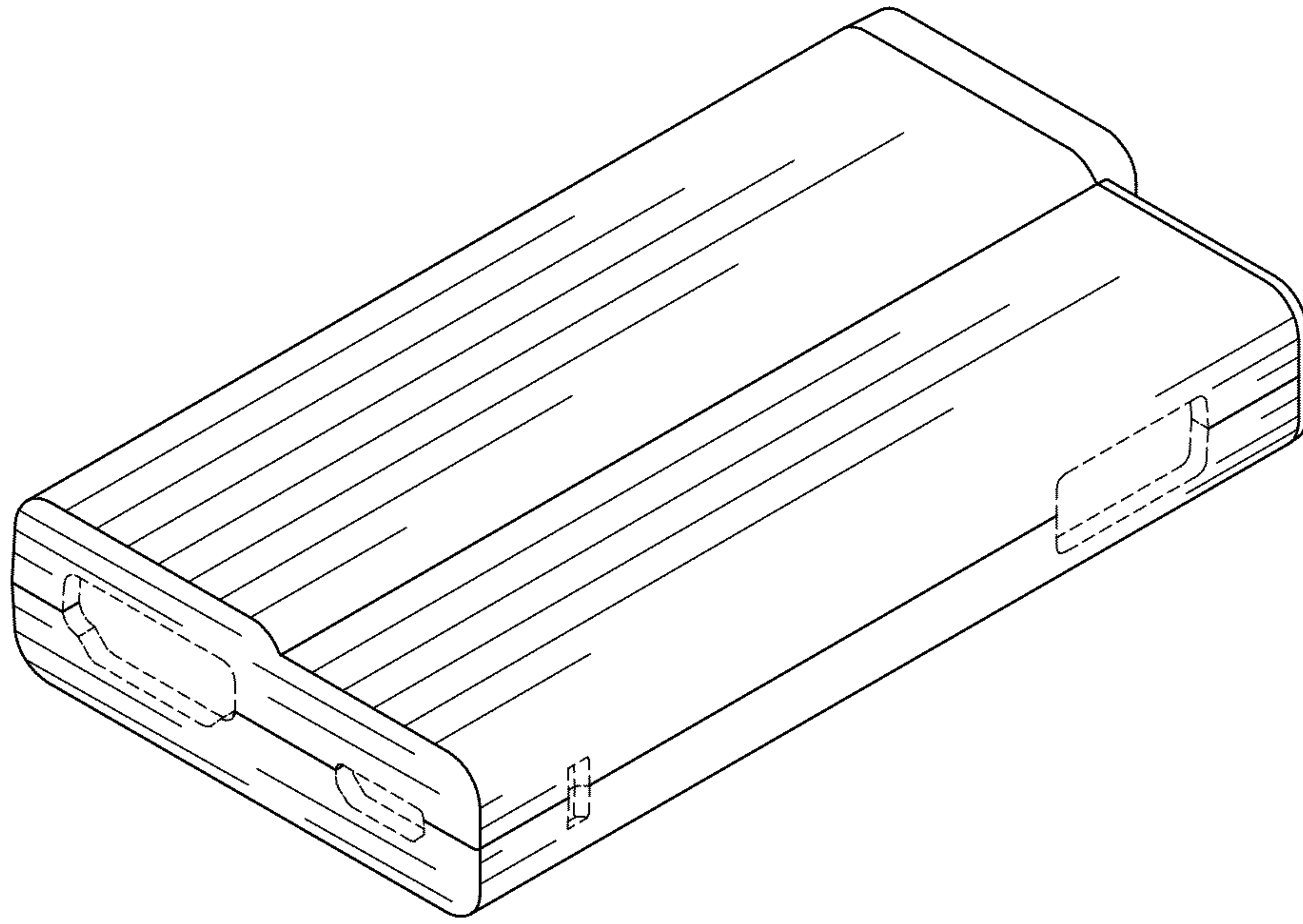


FIG. 1

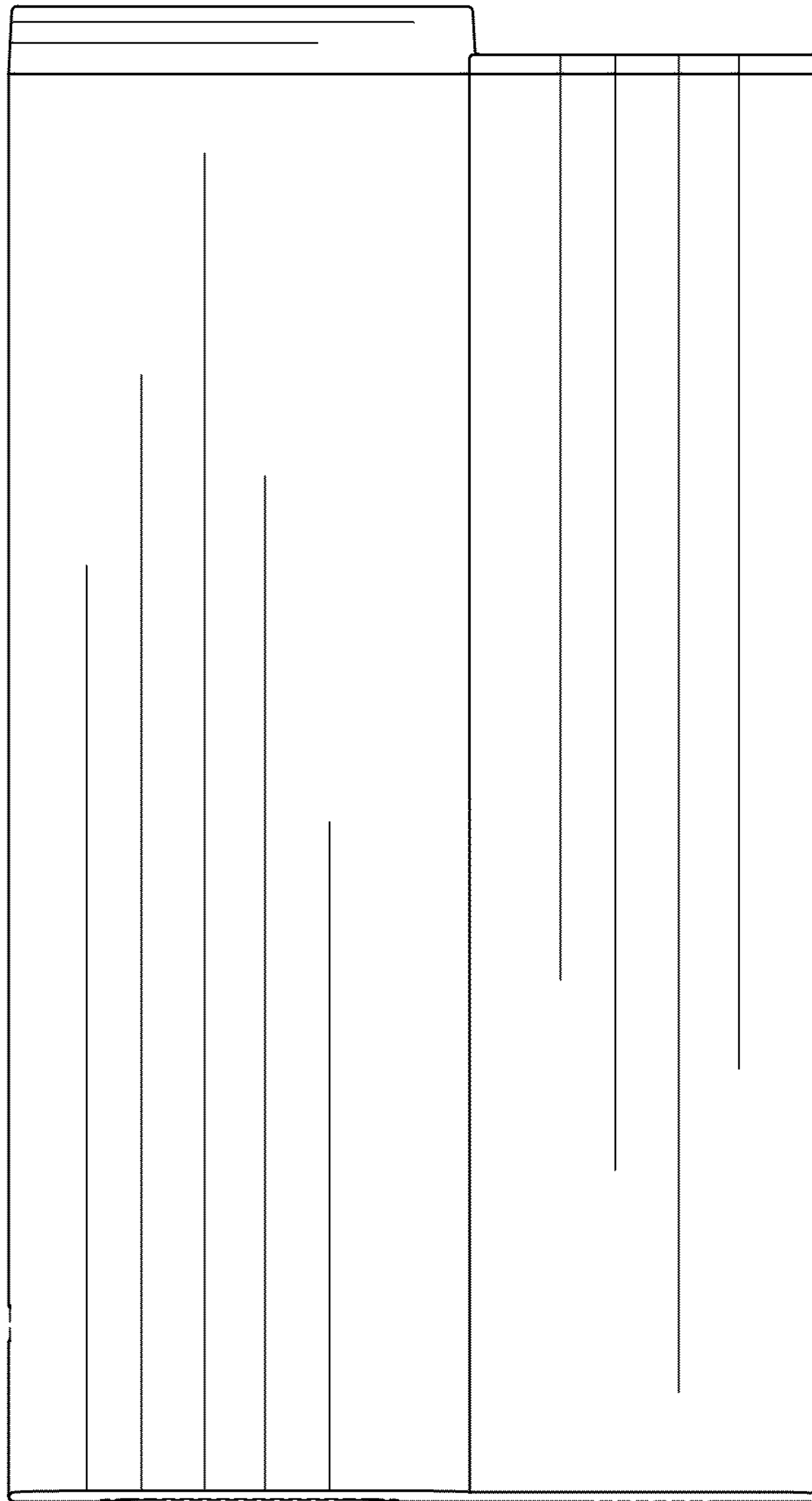


FIG. 2

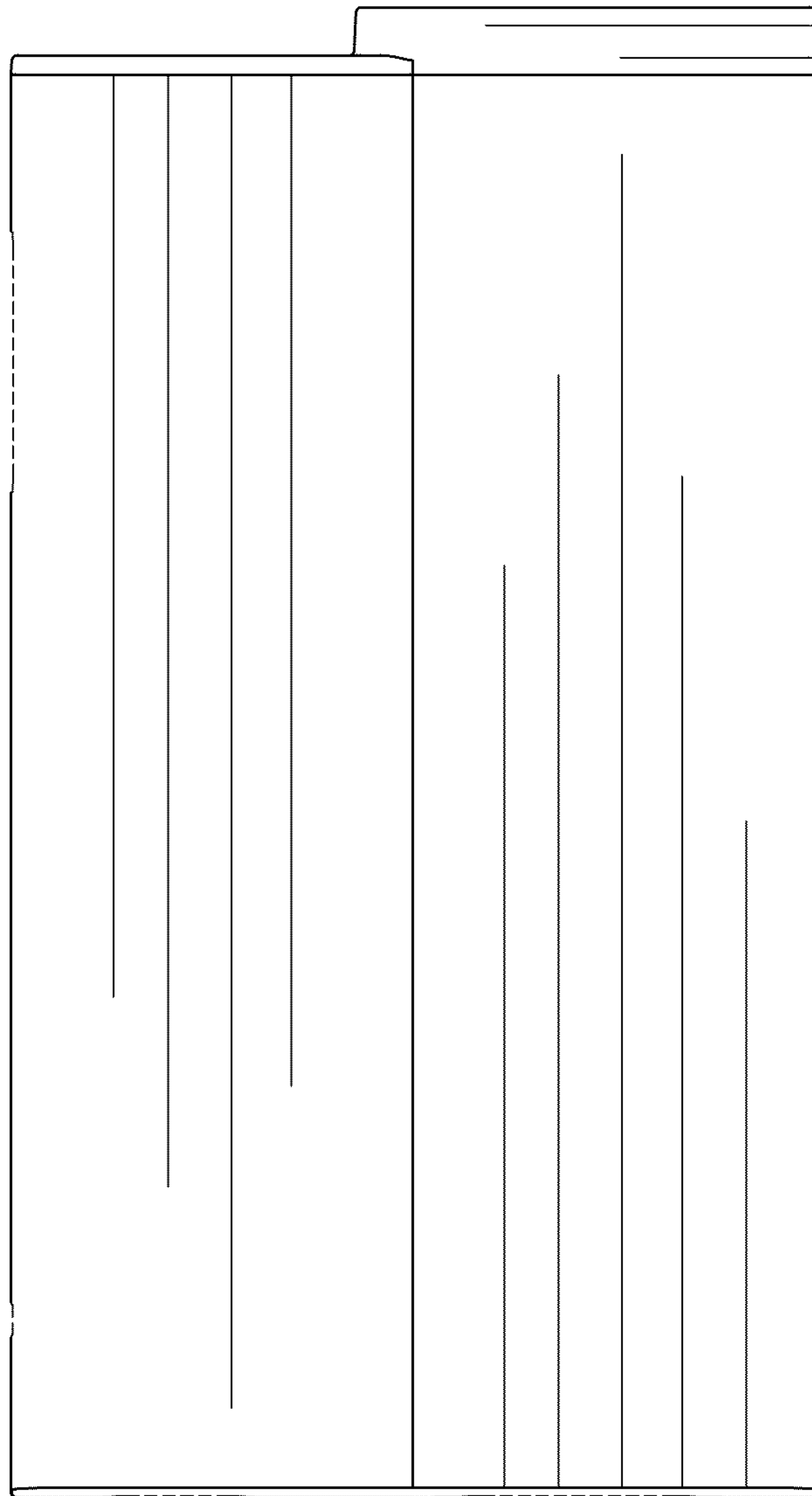


FIG. 3

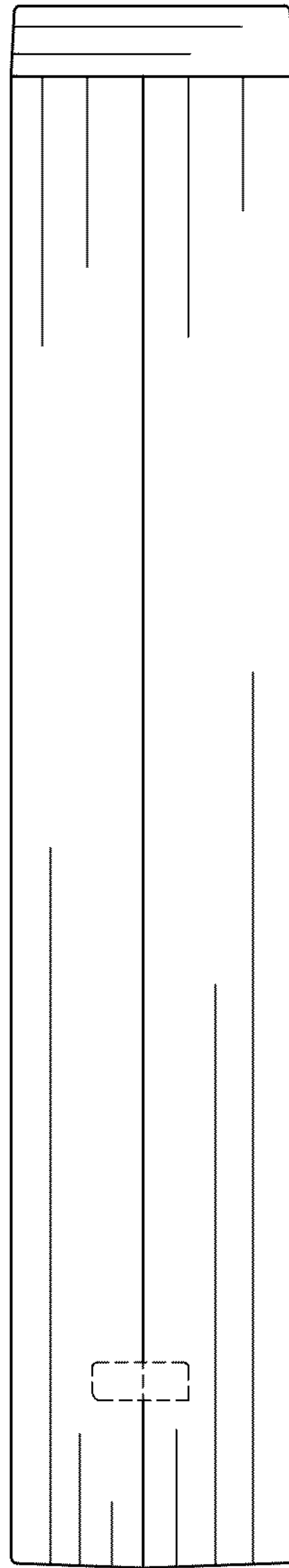


FIG. 4

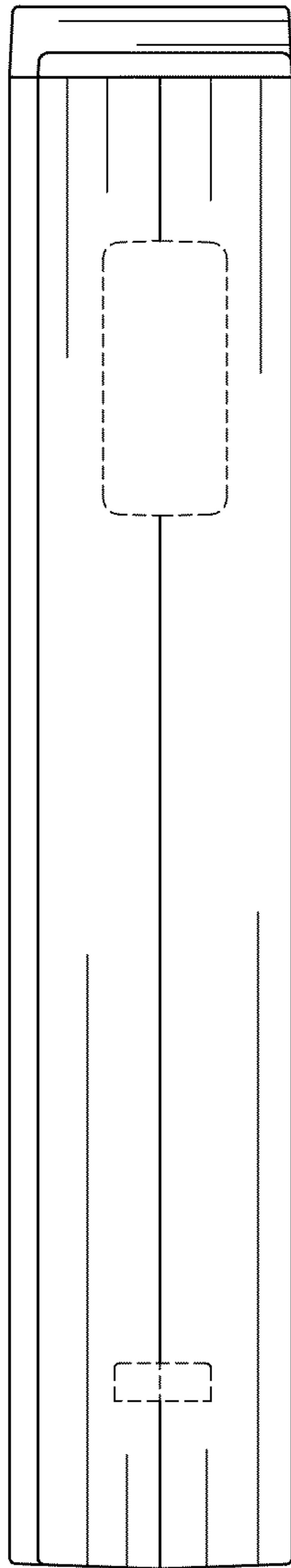


FIG. 5

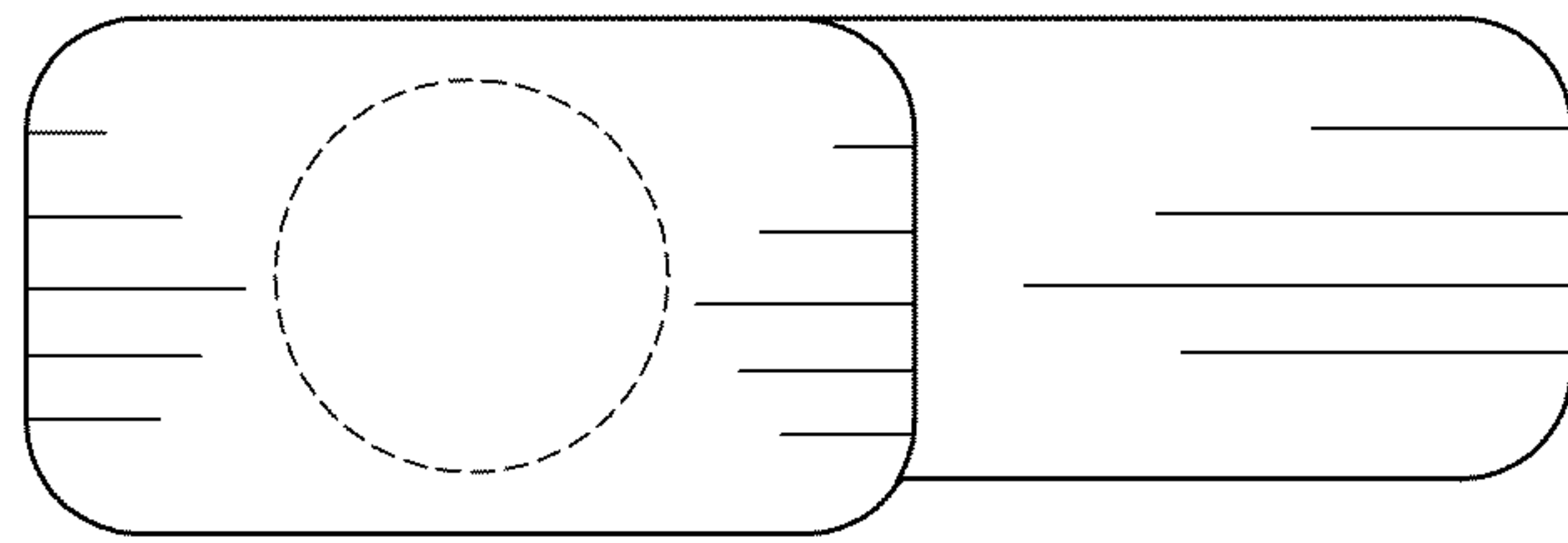


FIG. 6

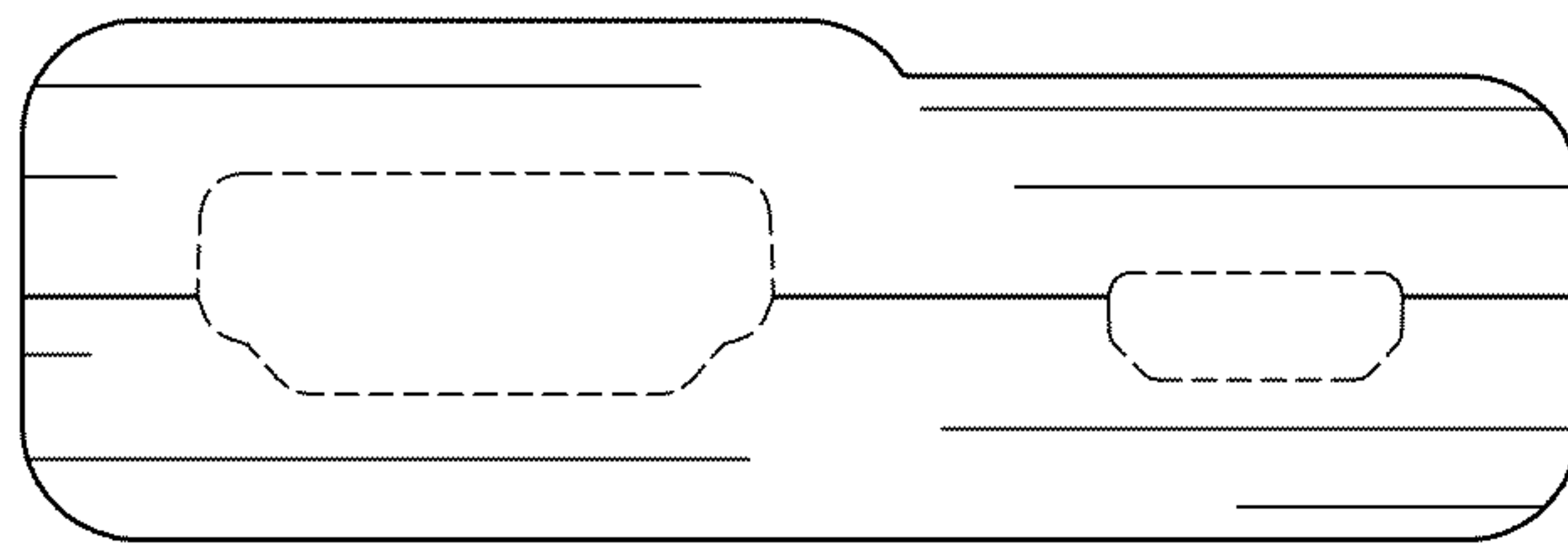


FIG. 7