



US00D754597S

(12) **United States Design Patent**  
**Osborn et al.**

(10) **Patent No.:** **US D754,597 S**

(45) **Date of Patent:** **\*\* Apr. 26, 2016**

(54) **SOLAR MODULE**

(71) Applicant: **Soliculture, Inc.**, Scotts Valley, CA (US)

(72) Inventors: **Melissa Osborn**, Scotts Valley, CA (US);  
**Shila Alavi**, San Jose, CA (US)

(73) Assignee: **SOLICULTURE, INC.**, Scotts Valley,  
CA (US)

(\*\*) Term: **14 Years**

(21) Appl. No.: **29/453,292**

(22) Filed: **Apr. 26, 2013**

(51) **LOC (10) Cl.** ..... **13-02**

(52) **U.S. Cl.**

USPC ..... **D13/102**

(58) **Field of Classification Search**

USPC ..... D13/102, 101, 133, 182, 199; D5/6, 7,  
D5/20, 24, 36, 37, 53, 55, 56, 57, 60, 61,  
D5/63; D25/102, 106, 107, 108, 140, 157,  
D25/158, 163; 126/561, 566, 569, 571;  
136/243–247, 251, 252, 254, 256;  
428/156, 213, 215, 220, 542.2, 542.6,  
428/919

CPC ..... H01L 31/02; H01L 31/042; H01L 31/048;  
H01L 27/142; H01L 27/1421

See application file for complete search history.

(56) **References Cited**

**U.S. PATENT DOCUMENTS**

D442,139 S \* 5/2001 Sasaoka ..... D13/102  
D467,225 S \* 12/2002 Sudo ..... D13/102  
D588,534 S \* 3/2009 Sharma et al. .... D13/102  
D690,261 S \* 9/2013 Wu et al. .... D13/102

2007/0144577 A1\* 6/2007 Rubin et al. .... 136/256  
2008/0210286 A1\* 9/2008 Ball ..... 136/244  
2010/0313933 A1\* 12/2010 Xu ..... 136/246

\* cited by examiner

*Primary Examiner* — Derrick Holland

(74) *Attorney, Agent, or Firm* — Richard T. Ogawa; Ogawa  
P.C.

(57) **CLAIM**

The ornamental design for a solar module, as shown and  
described.

**DESCRIPTION**

The patent or application file contains at least one drawing  
executed in color. Copies of this patent or patent application  
publication with color drawing(s) will be provided by the  
Office upon request and payment of the necessary fee.

FIG. 1 is a color perspective view of a solar module showing  
our new design;

FIG. 2 is a front color view thereof;

FIG. 3 is a back color view thereof;

FIG. 4 is a top color view thereof, with a partially enlarged  
area shown for ease of illustration;

FIG. 5 is a bottom color view thereof, with a partially enlarged  
area shown for ease of illustration;

FIG. 6 is a first side color view thereof, with a partially  
enlarged area shown for ease of illustration; and,

FIG. 7 is a second side color view thereof, with a partially  
enlarged area shown for ease of illustration.

The broken line shown of environment and all views are for  
illustrative purposes only and forms no part of the claimed  
design. The solar module can be for a horticulture application.

**1 Claim, 7 Drawing Sheets**  
**(7 of 7 Drawing Sheet(s) Filed in Color)**

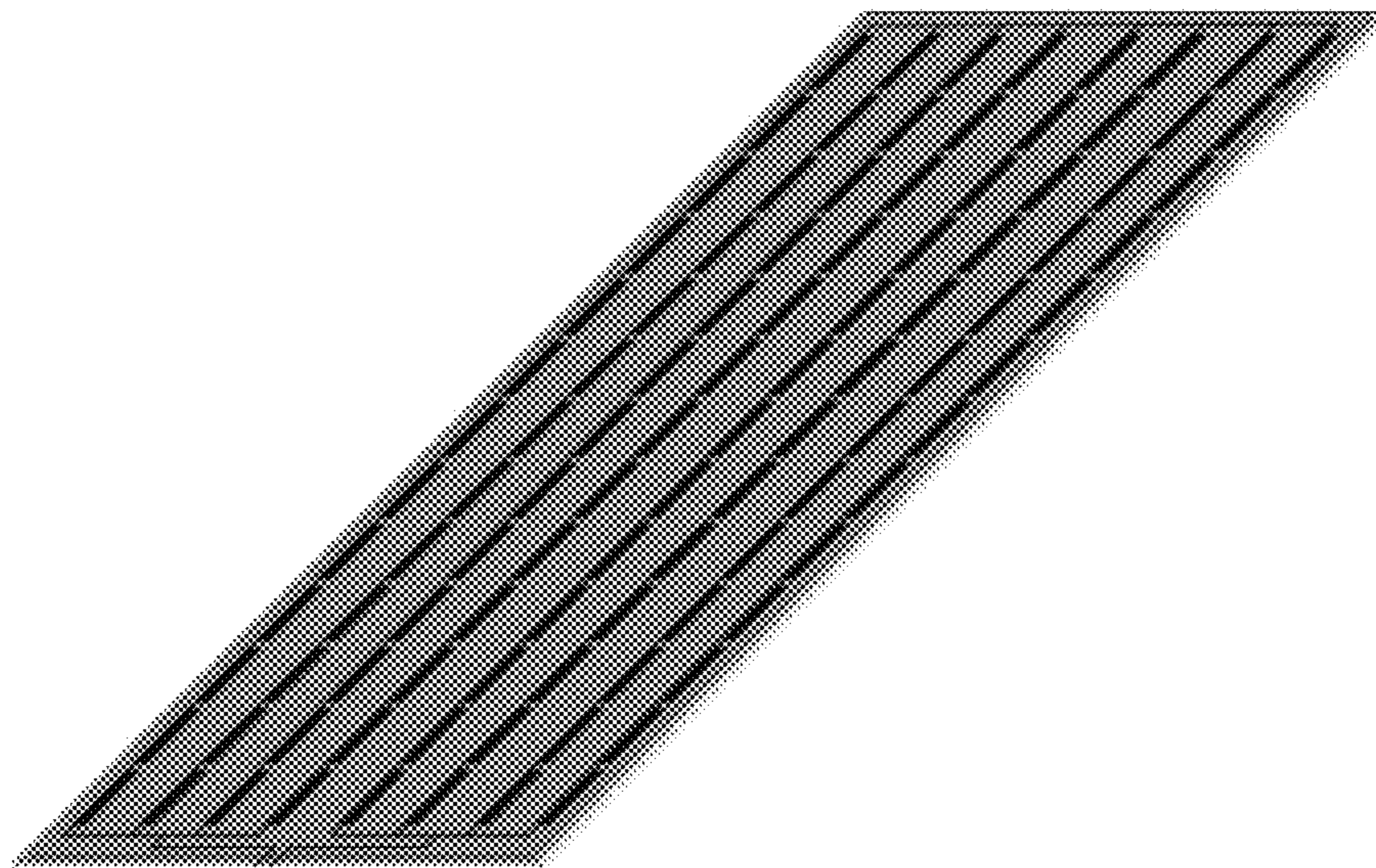


FIGURE 1

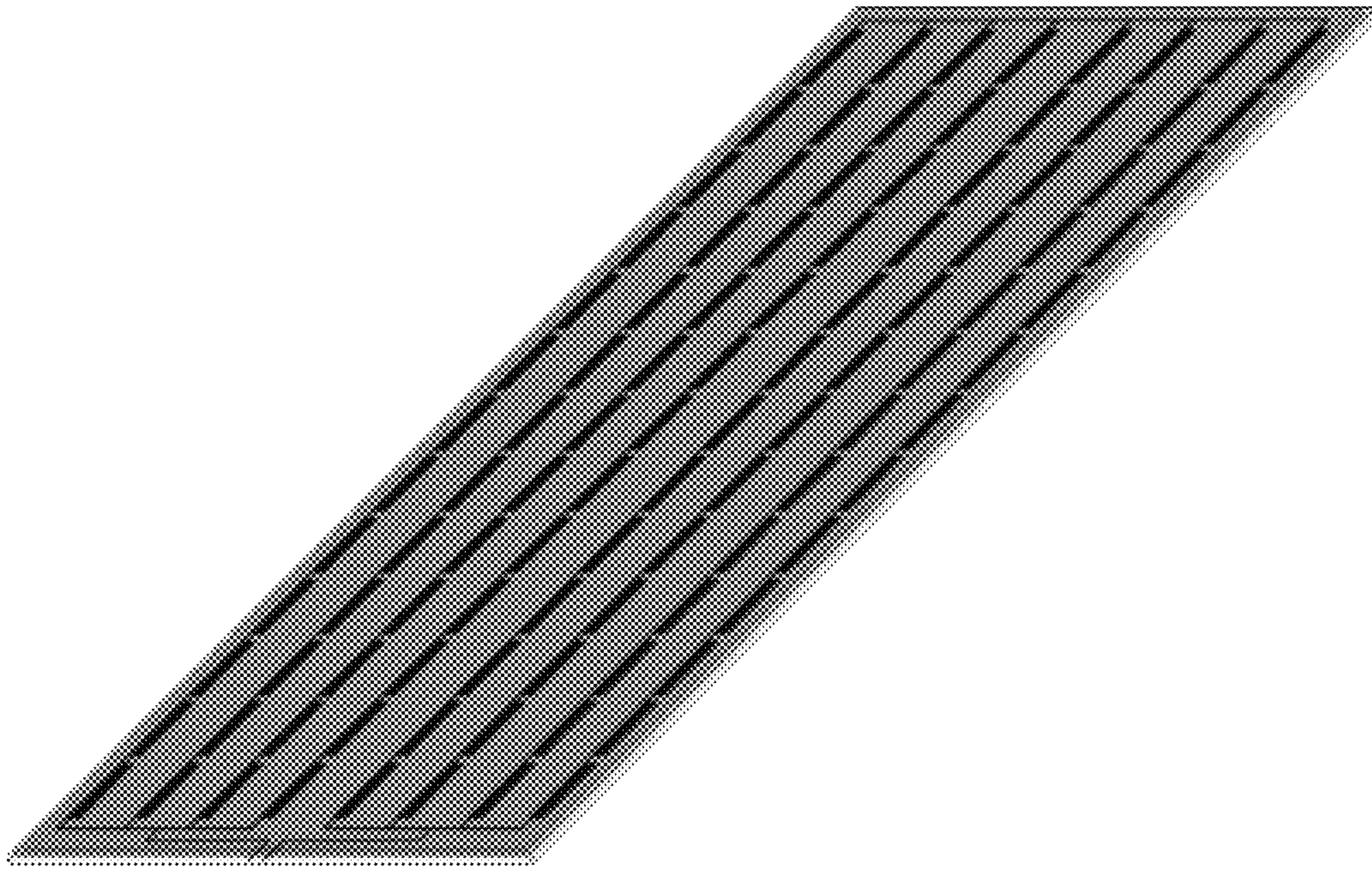


FIGURE 2

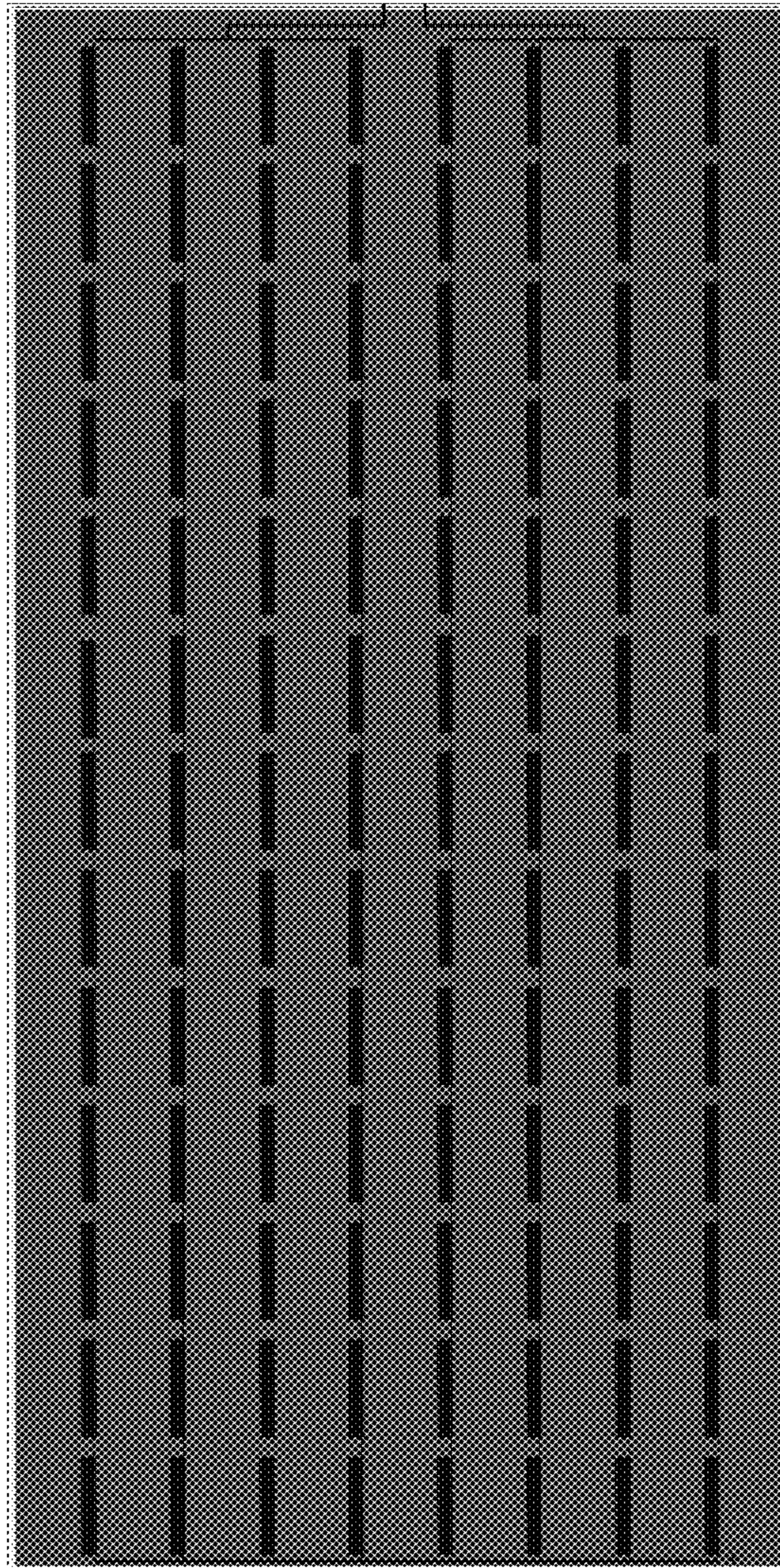


FIGURE 3

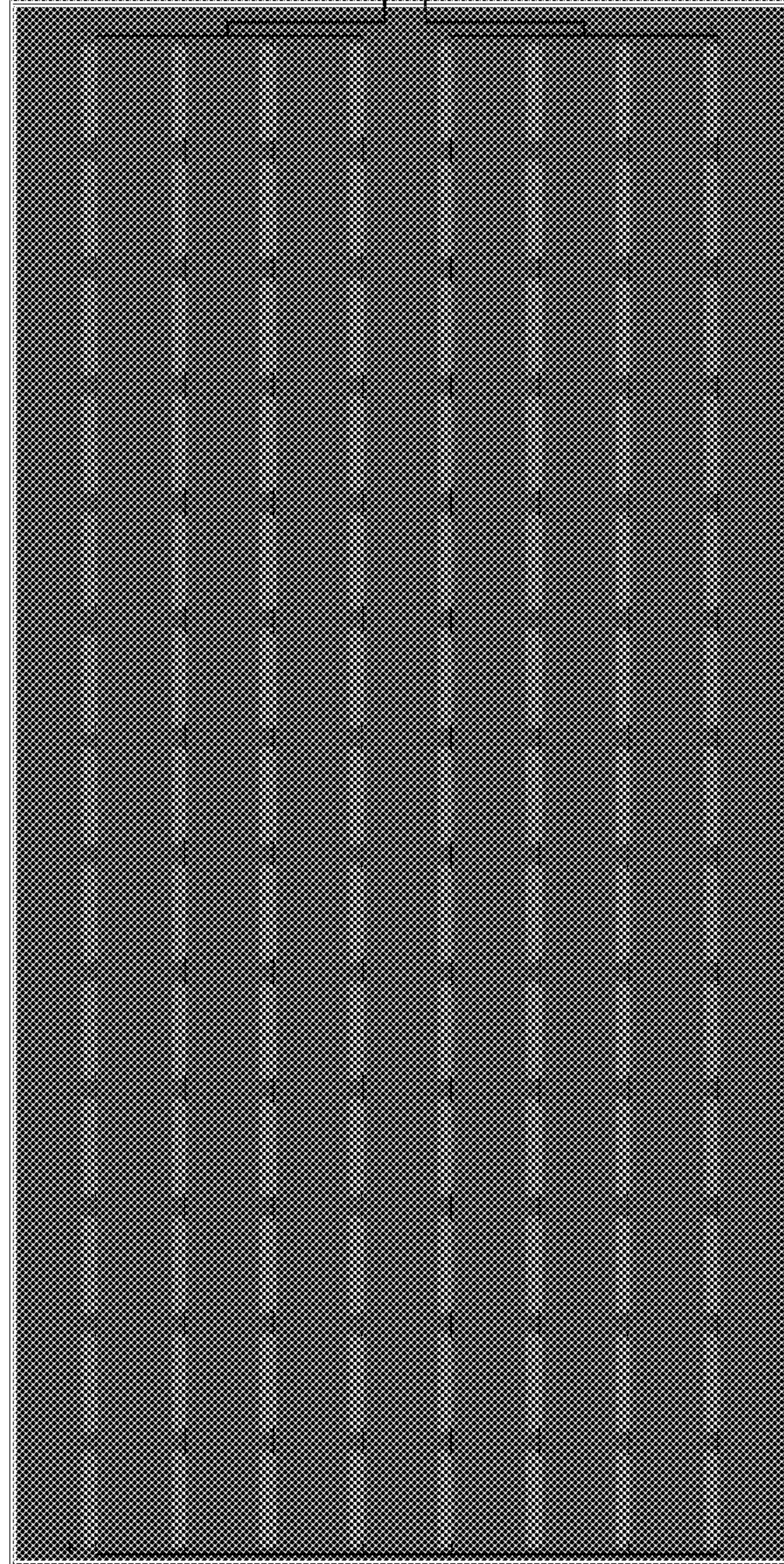


FIGURE 4

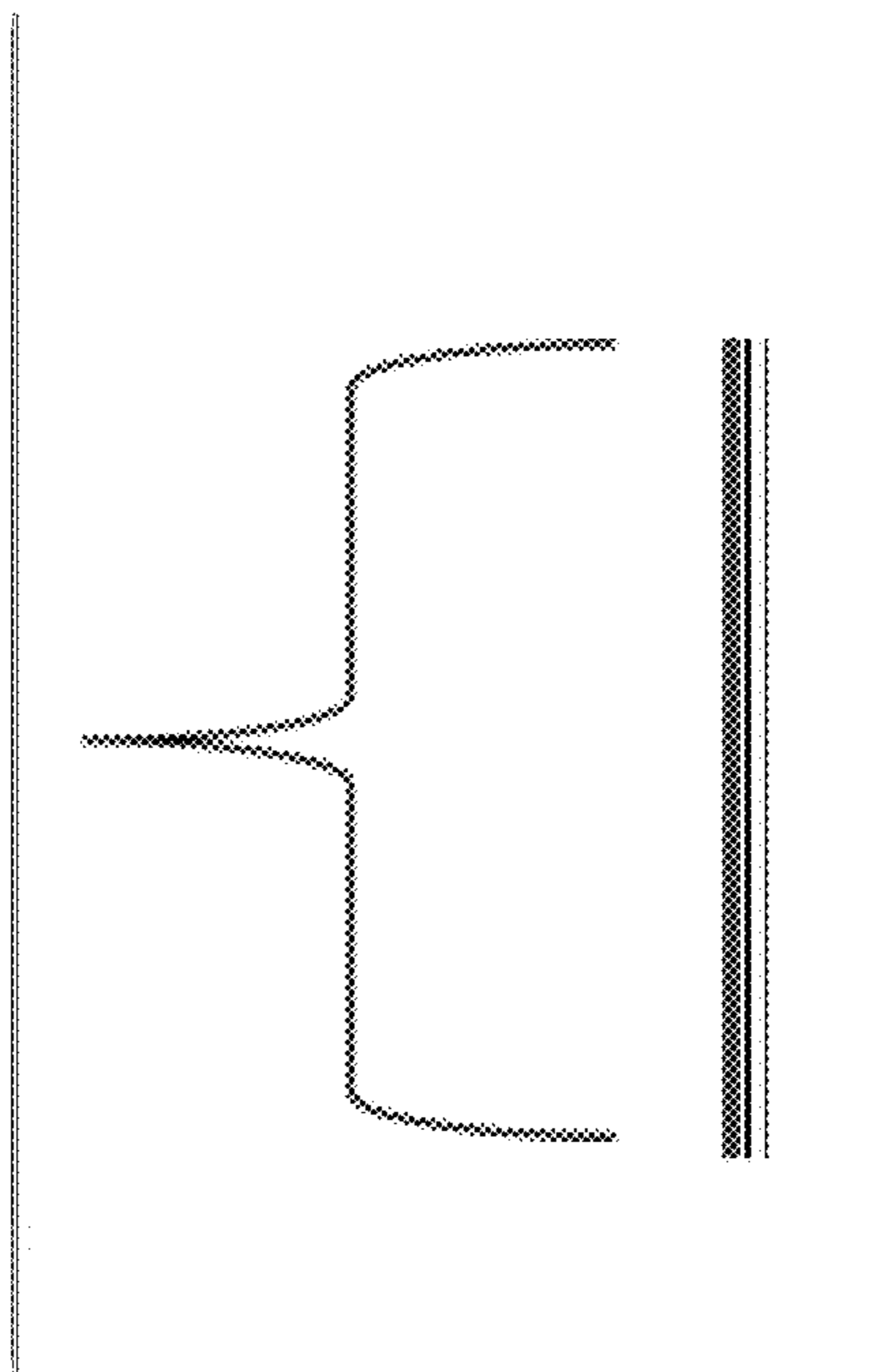


FIGURE 5

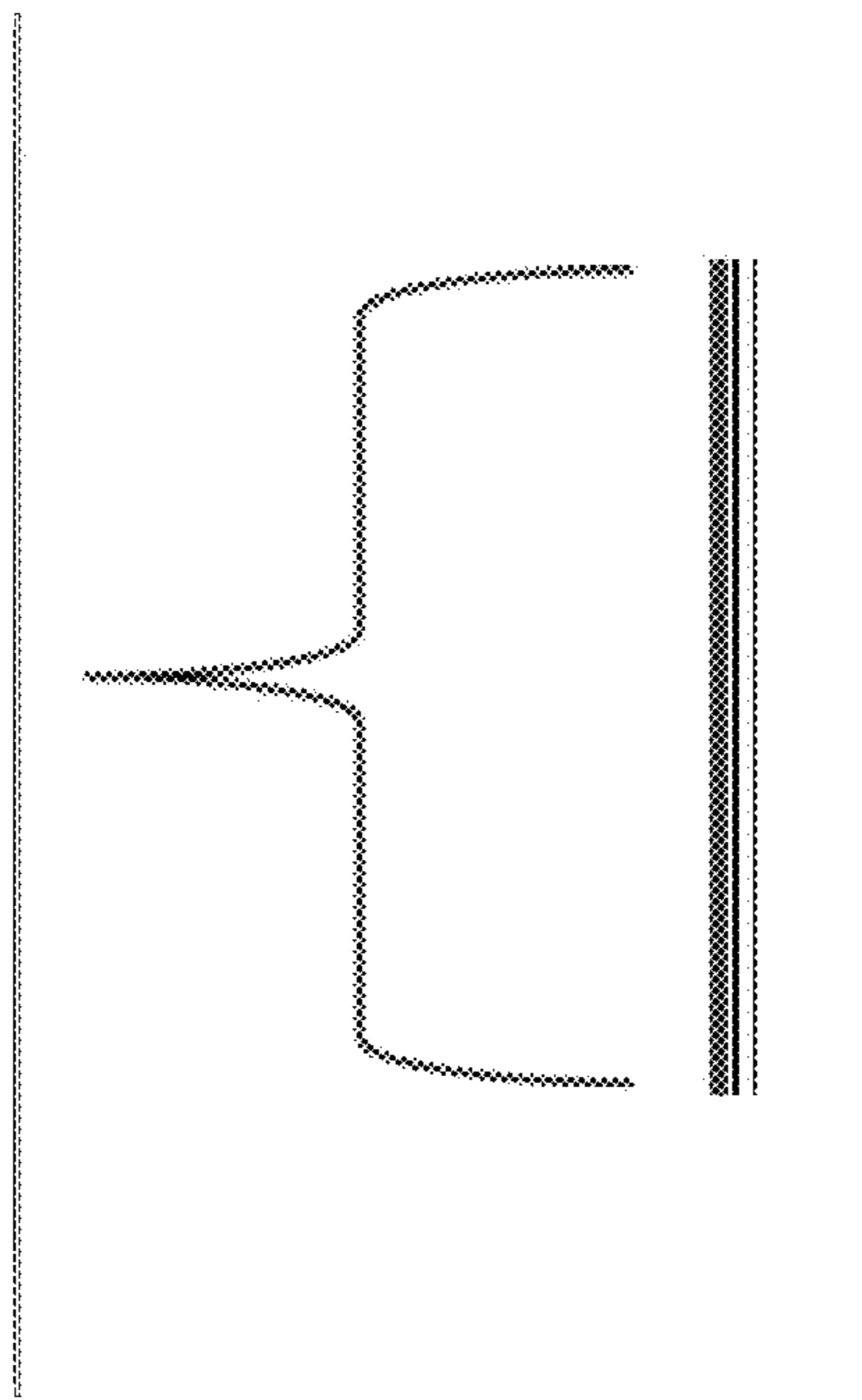


FIGURE 6

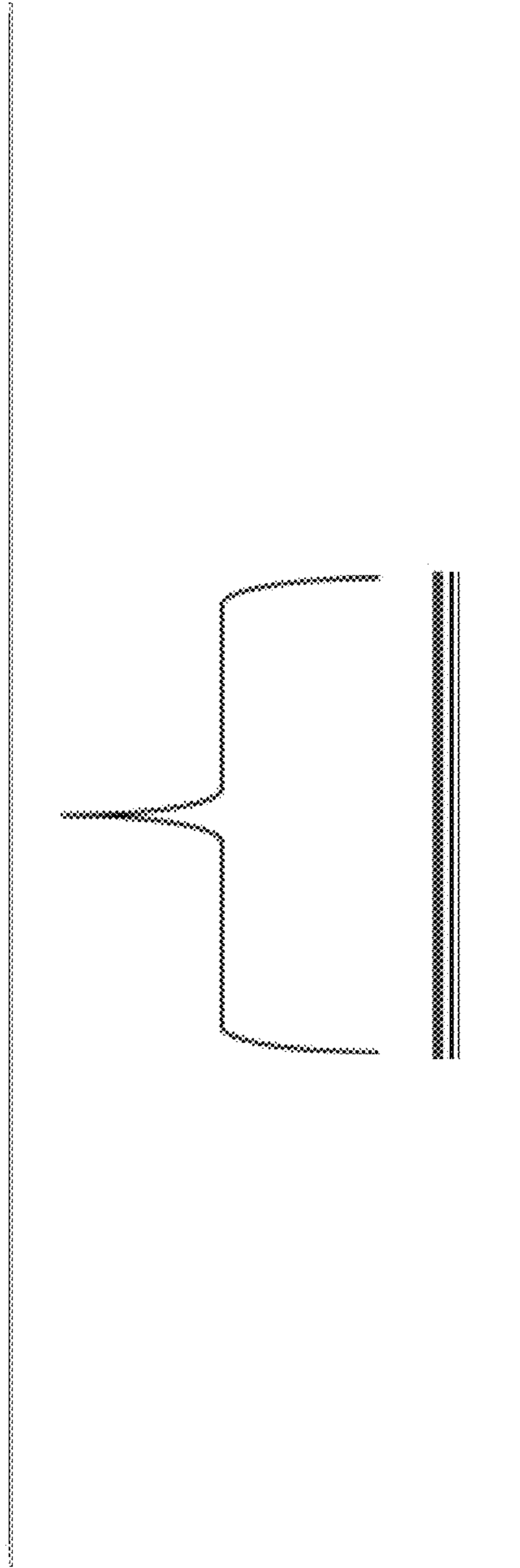


FIGURE 7

