



US00D754589S

(12) **United States Design Patent**
Koog

(10) **Patent No.:** **US D754,589 S**
(45) **Date of Patent:** **** Apr. 26, 2016**

(54) **TIRE TREAD**

- (71) Applicant: **HANKOOK TIRE CO., LTD.**, Seoul (KR)
- (72) Inventor: **Ha Eun Koog**, Seoul (KR)
- (73) Assignee: **Hankook Tire Co., Ltd.**, Seoul (KR)
- (**) Term: **14 Years**
- (21) Appl. No.: **29/499,393**
- (22) Filed: **Aug. 14, 2014**

(30) **Foreign Application Priority Data**

Feb. 26, 2014 (KR) 30-2014-0009783

(51) **LOC (10) Cl.** **12-15**

(52) **U.S. Cl.**
USPC **D12/568; D12/600**

(58) **Field of Classification Search**
USPC D12/550-604, 900
CPC B60C 1/0016; B60C 11/0306; B60C 11/0302; B60C 3/06; B60C 9/17
See application file for complete search history.

(56) **References Cited**

U.S. PATENT DOCUMENTS

D420,953 S *	2/2000	Poling	D12/600
D517,002 S *	3/2006	Welbes	D12/602
D526,954 S *	8/2006	Godeau	D12/539
D615,483 S *	5/2010	Godeau	D12/564
D639,234 S *	6/2011	Reim	D12/588
D647,461 S *	10/2011	Godeau	D12/566
D735,120 S *	7/2015	Oberlin	D12/594
D736,693 S *	8/2015	Wang	D12/580

OTHER PUBLICATIONS

Michelin X Multiway 3D XZE Tire found online [Nov. 9, 2015] http://tiresaddict.com/vendor/michelin/x_multiway_3d_xze/.
Michelin XFN2 Antisp0lash Tire found online [Nov. 9, 2015] http://tiresaddict.com/vendor/michelin/xfn2_antisplash/.*

* cited by examiner

Primary Examiner — Robert M Spear
Assistant Examiner — John Voytek

(74) *Attorney, Agent, or Firm* — Hamre, Schumann, Mueller & Larson, P.C.

(57) **CLAIM**

The ornamental design for a tire tread, as shown and described.

DESCRIPTION

FIG. 1 is a perspective view of a tire tread showing my new design, it being understood that the pattern is repeated uniformly throughout the circumference of the tread;
FIG. 2 is a front elevational view thereof;
FIG. 3 is a rear elevational view thereof;
FIG. 4 is a left side view thereof;
FIG. 5 is a right side view thereof;
FIG. 6 is a top view thereof;
FIG. 7 is a bottom view thereof; and,
FIG. 8 is an enlarged fragmentary view from upper 8-8 to lower 8-8.

The broken line environmental showing is for illustrative purposes only and forms no part of the claimed design.

1 Claim, 8 Drawing Sheets

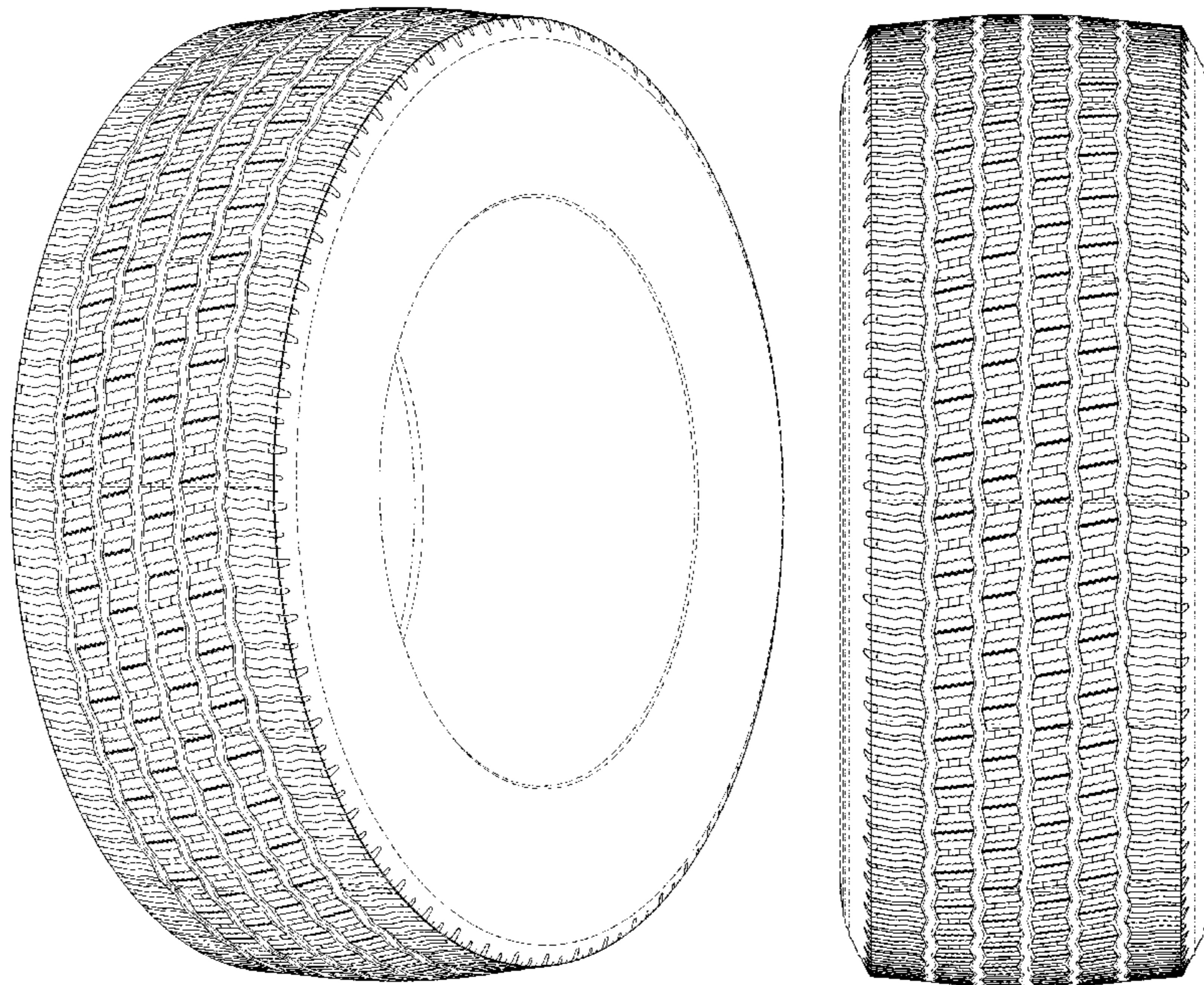


Fig. 1

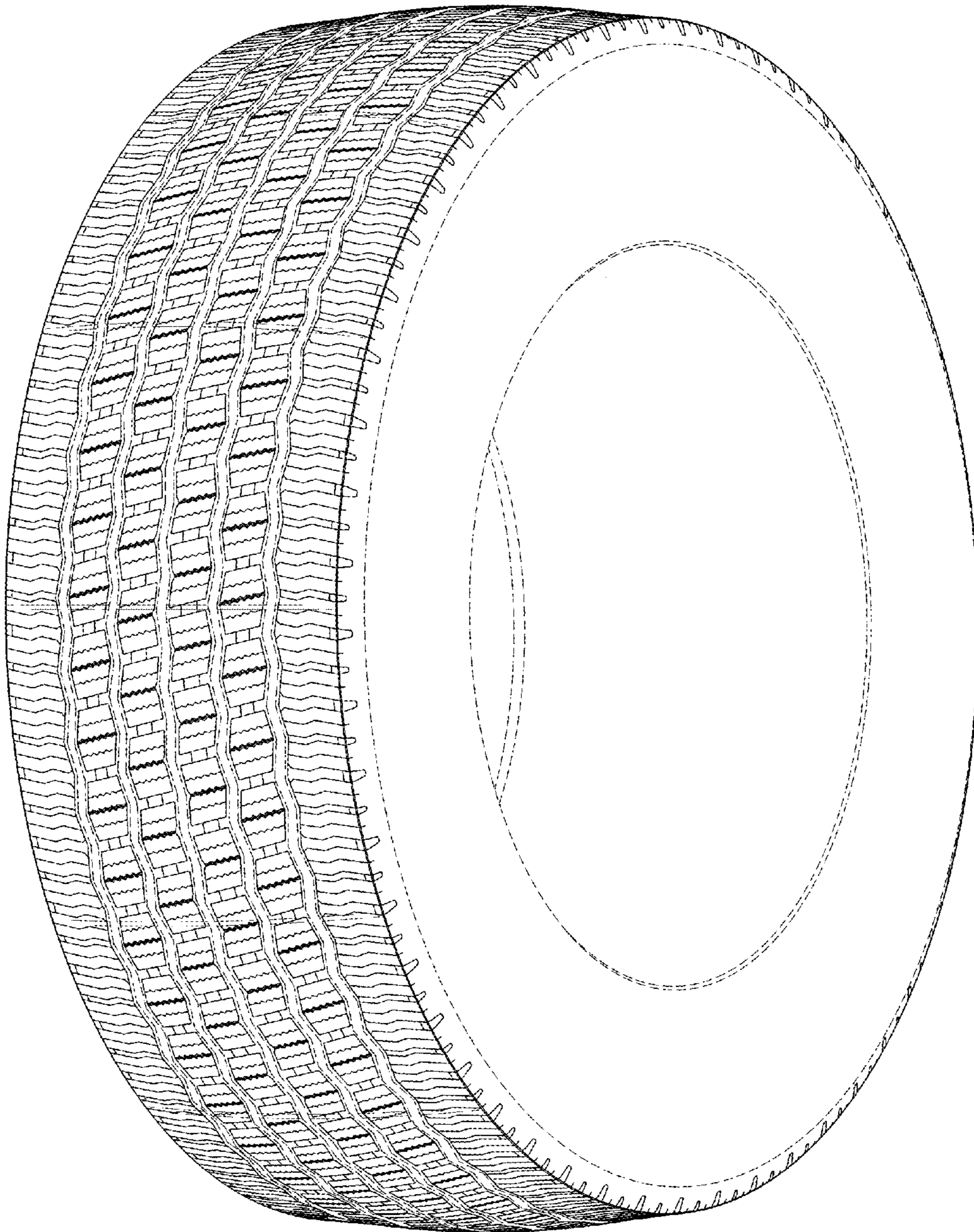


Fig. 2

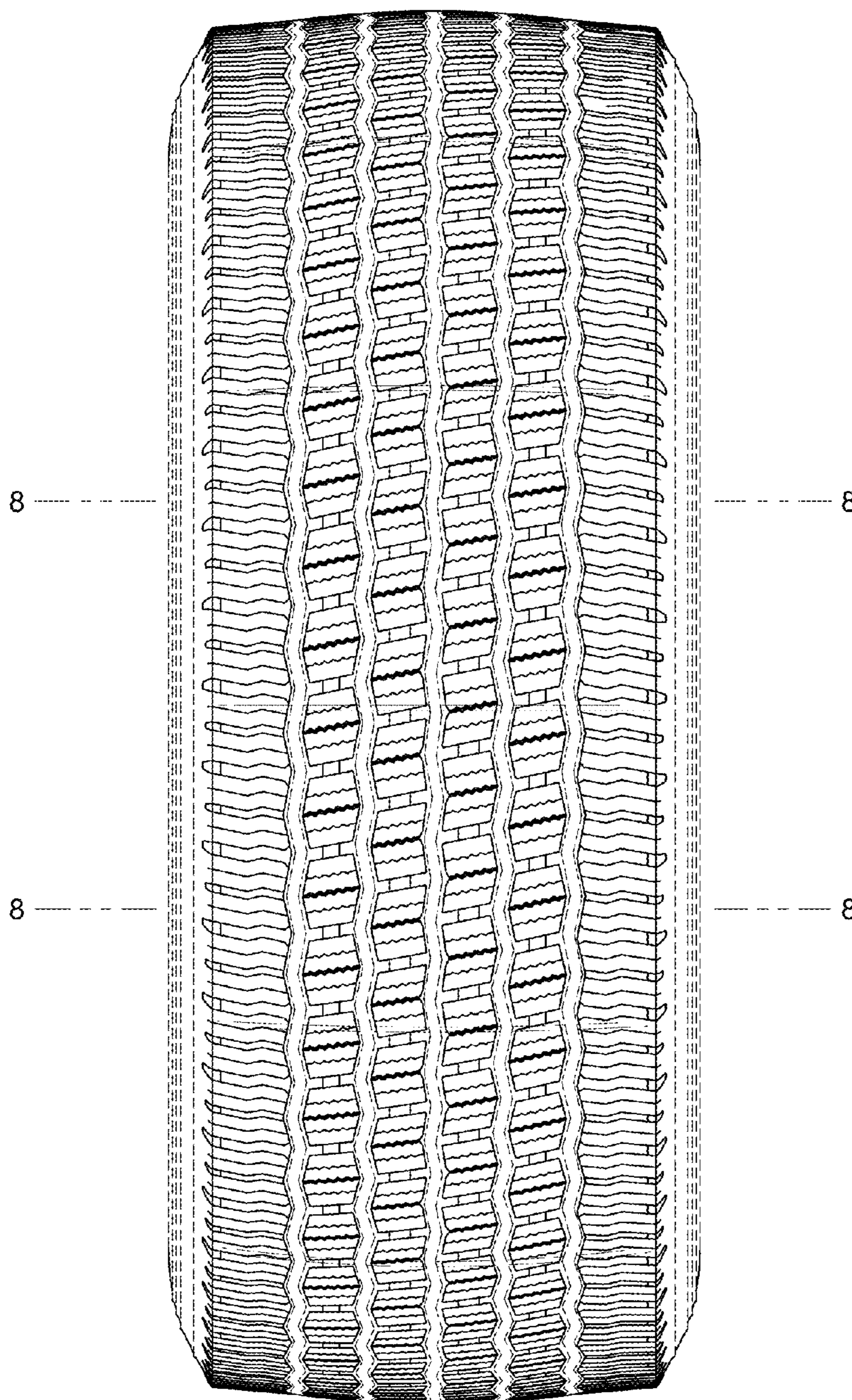


Fig. 3

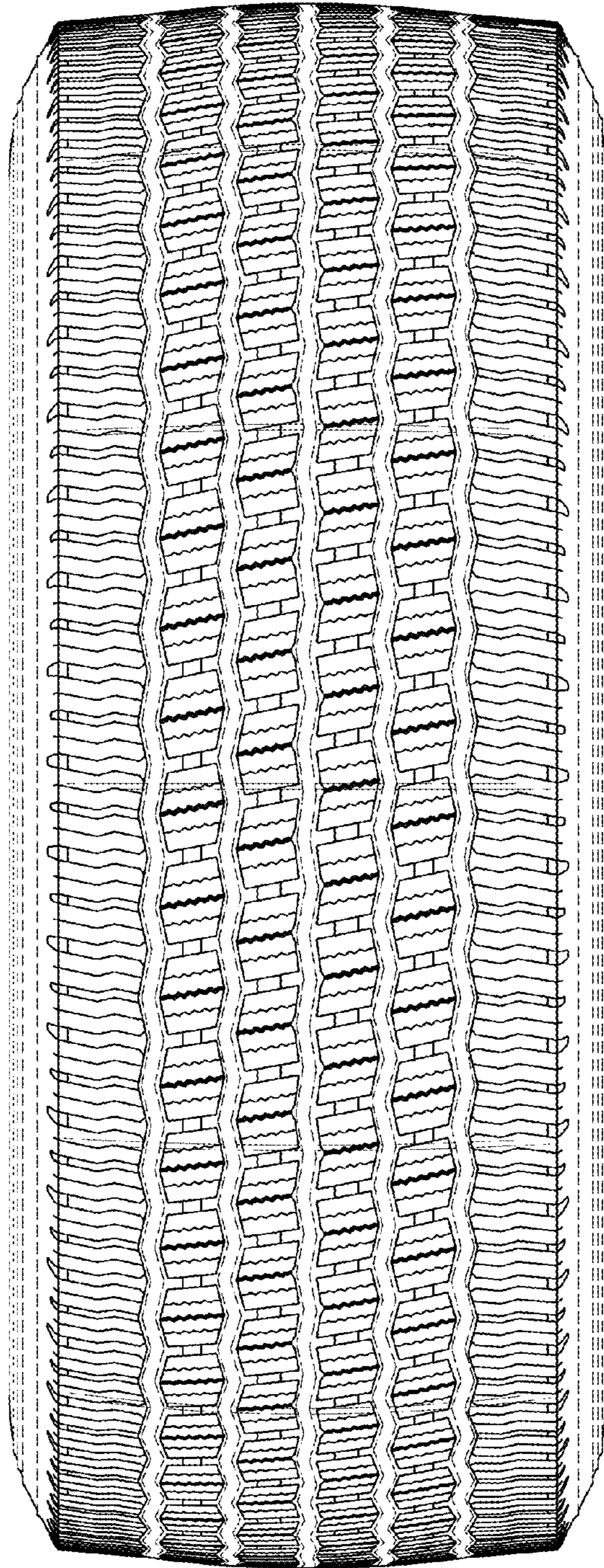


Fig. 4

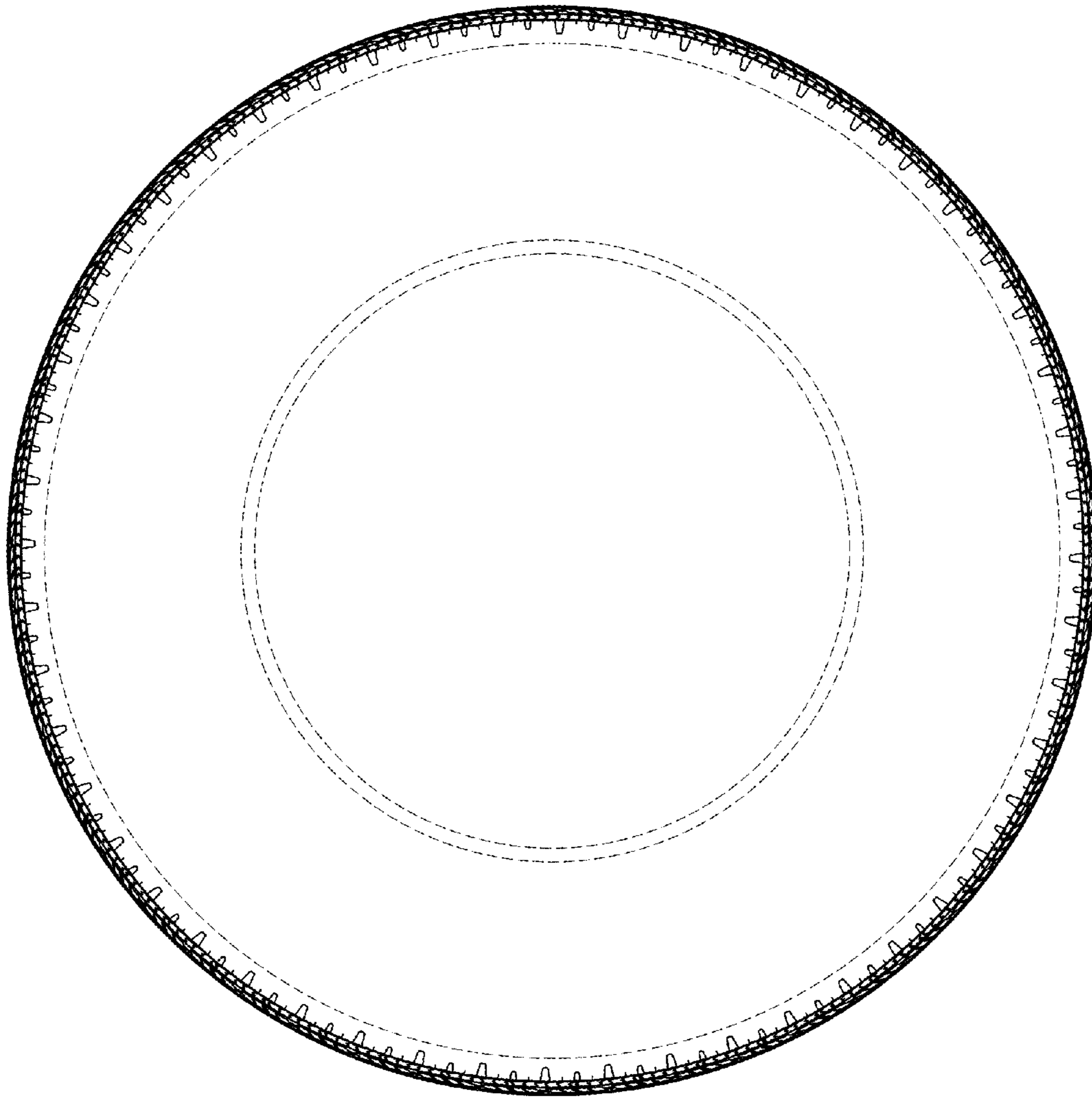


Fig. 5

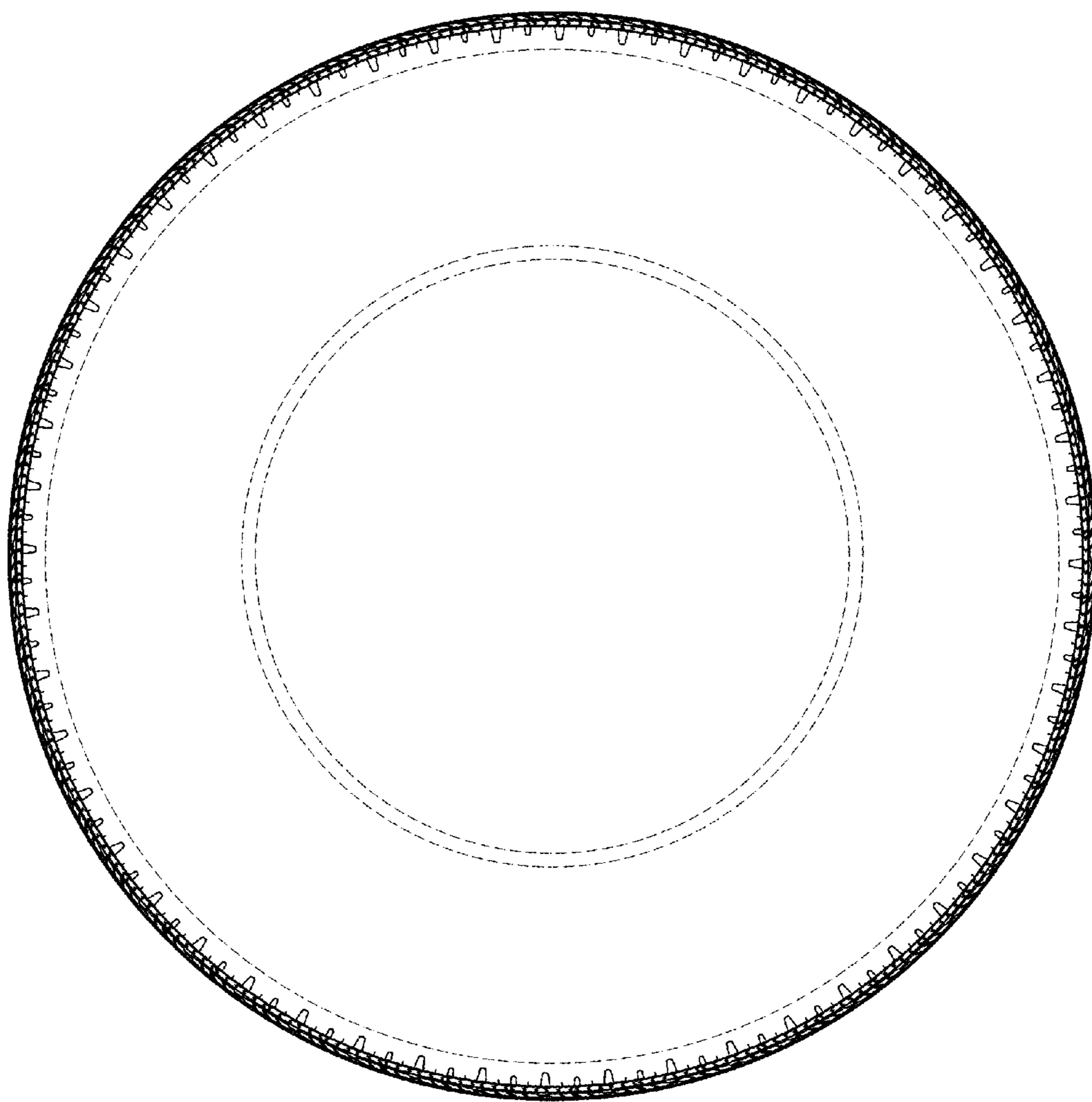


Fig. 6

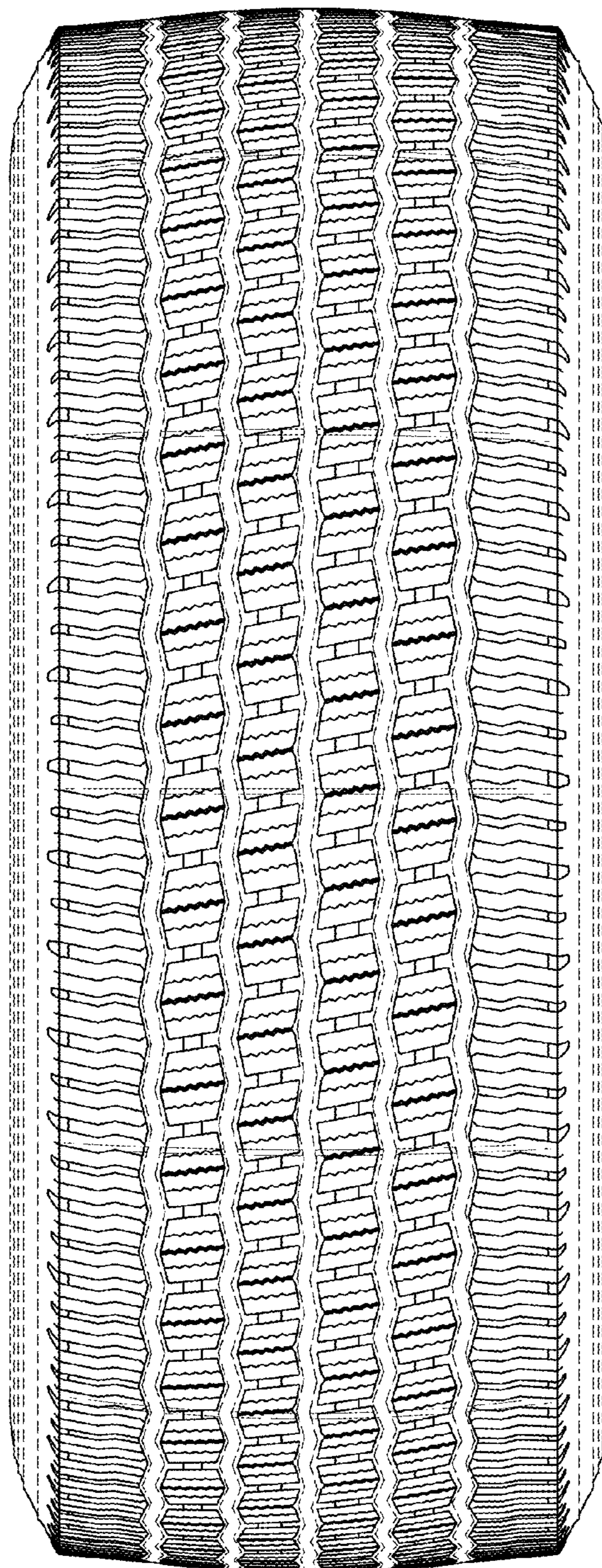


Fig. 7

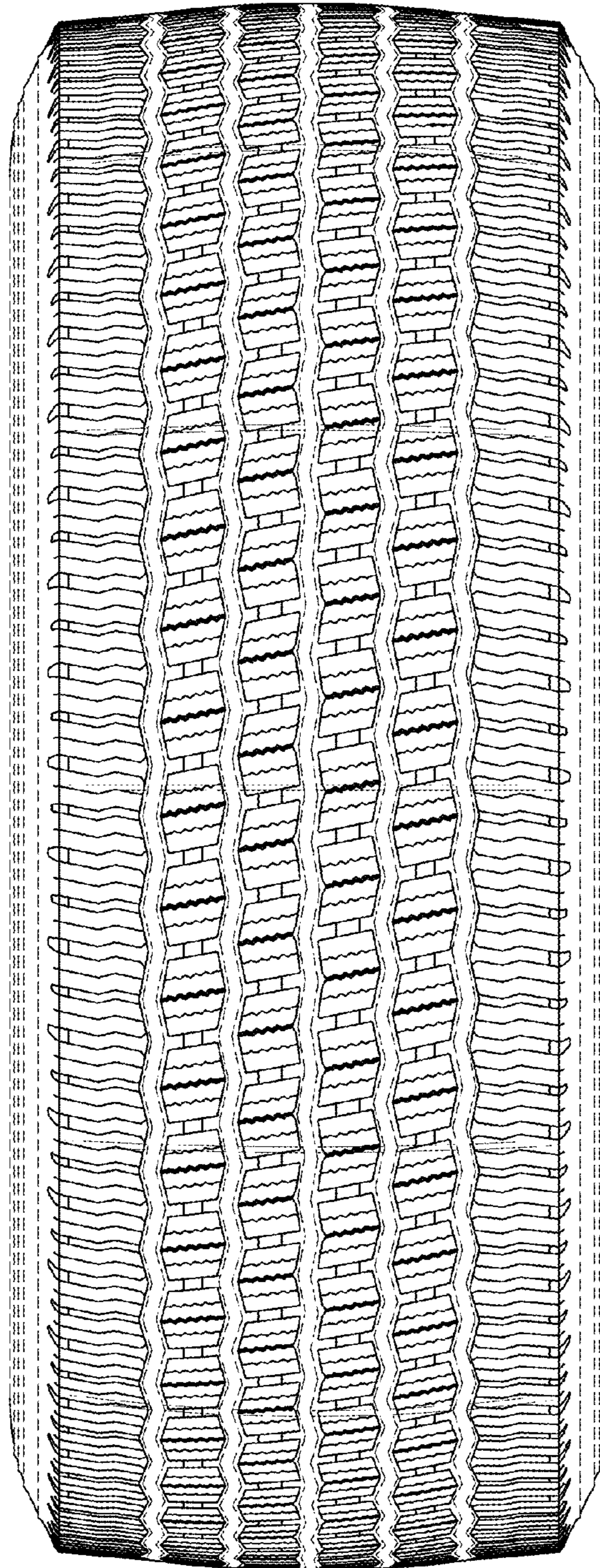


Fig. 8

