



US00D754583S

(12) **United States Design Patent**  
**Valencia Pollex**

(10) **Patent No.:** **US D754,583 S**  
(45) **Date of Patent:** **\*\* Apr. 26, 2016**

(54) **VEHICLE WHEEL RIM**

- (71) Applicant: **AUDI AG**, Ingolstadt (DE)
- (72) Inventor: **Andreas Valencia Pollex**, Ingolstadt (DE)
- (73) Assignee: **AUDI AG**, Ingolstadt (DE)
- (\*\*) Term: **14 Years**
- (21) Appl. No.: **29/513,184**
- (22) Filed: **Dec. 29, 2014**
- (30) **Foreign Application Priority Data**

Jul. 8, 2014 (EM) ..... 002 498 501-0001

- (51) **LOC (10) Cl.** ..... **12-16**
- (52) **U.S. Cl.**  
USPC ..... **D12/211**
- (58) **Field of Classification Search**  
USPC ..... D12/204–213  
CPC ..... B60B 7/00; B60B 7/02; B60B 7/04;  
B60B 7/01; B60B 7/06; B60B 3/02; B60B  
3/04; B60B 3/06; B60B 3/10; B60B 1/00;  
B60B 1/08; B60B 1/10; B60B 1/12  
See application file for complete search history.

(56) **References Cited**

U.S. PATENT DOCUMENTS

D506,967 S *	7/2005	Kamimura .....	D12/211
D513,489 S *	1/2006	Momokawa .....	D12/211
D576,095 S *	9/2008	Chung .....	D12/211
D593,020 S *	5/2009	Blasi .....	D12/211
D626,489 S *	11/2010	Laengerer .....	D12/211
D634,692 S *	3/2011	Stefanov .....	D12/211
D657,728 S *	4/2012	Johnson .....	D12/211
D663,673 S *	7/2012	Platto .....	D12/211
D666,548 S *	9/2012	Antoniadis .....	D12/211
D671,881 S *	12/2012	Roura .....	D12/211
D680,939 S *	4/2013	Zhao .....	D12/211
D681,541 S *	5/2013	Kern .....	D12/211
D691,080 S *	10/2013	Stucki .....	D12/211
D695,196 S *	12/2013	Zane .....	D12/211
D696,617 S *	12/2013	Mueller-Stolz .....	D12/211
D707,609 S *	6/2014	Curtis .....	D12/211
D720,275 S *	12/2014	Szavits .....	D12/211
D730,262 S *	5/2015	Wagener .....	D12/211

\* cited by examiner

*Primary Examiner* — Stacia Cadmus

(74) *Attorney, Agent, or Firm* — Lucas & Mercanti, LLP; Klaus P. Stoffel

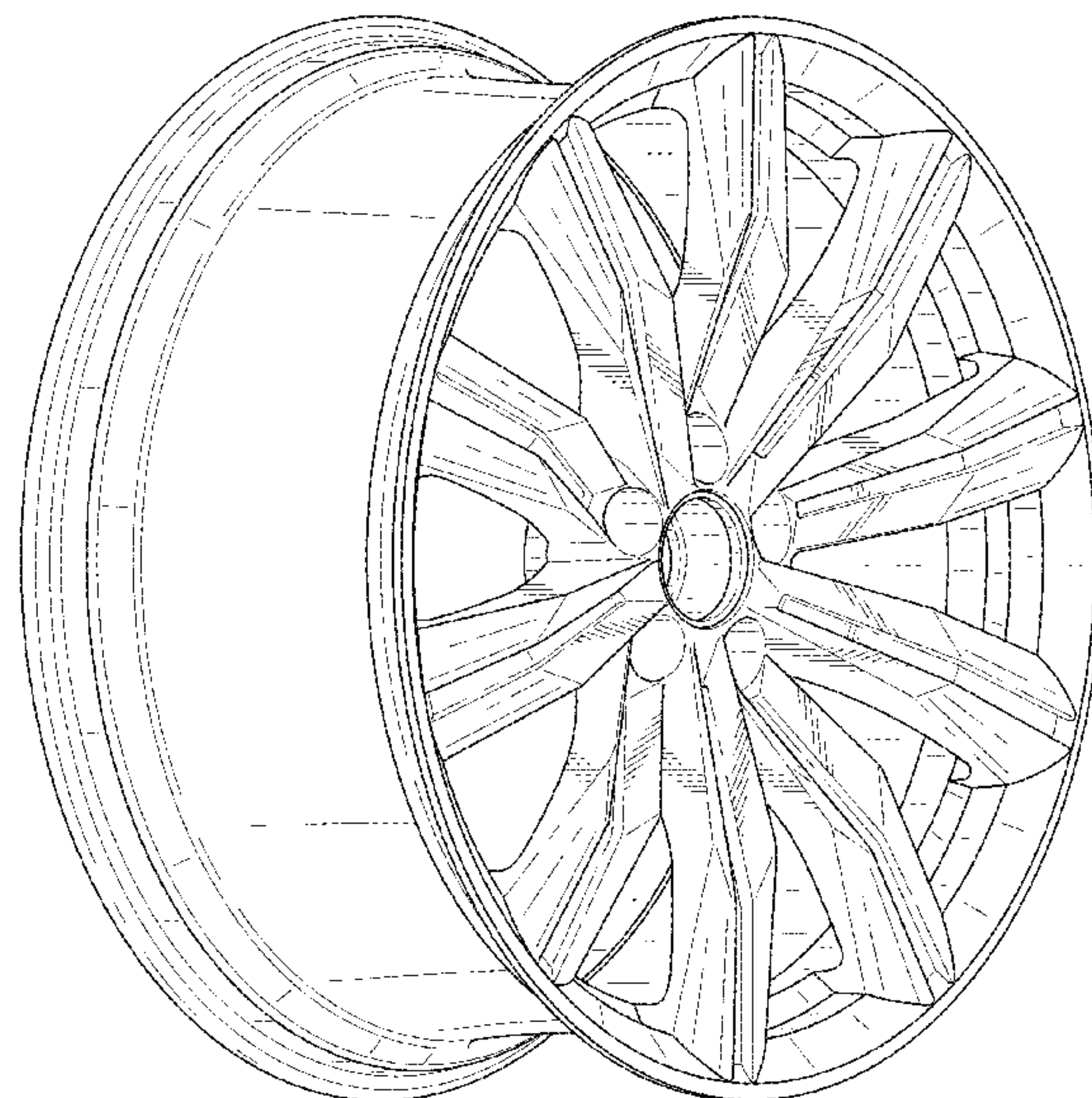
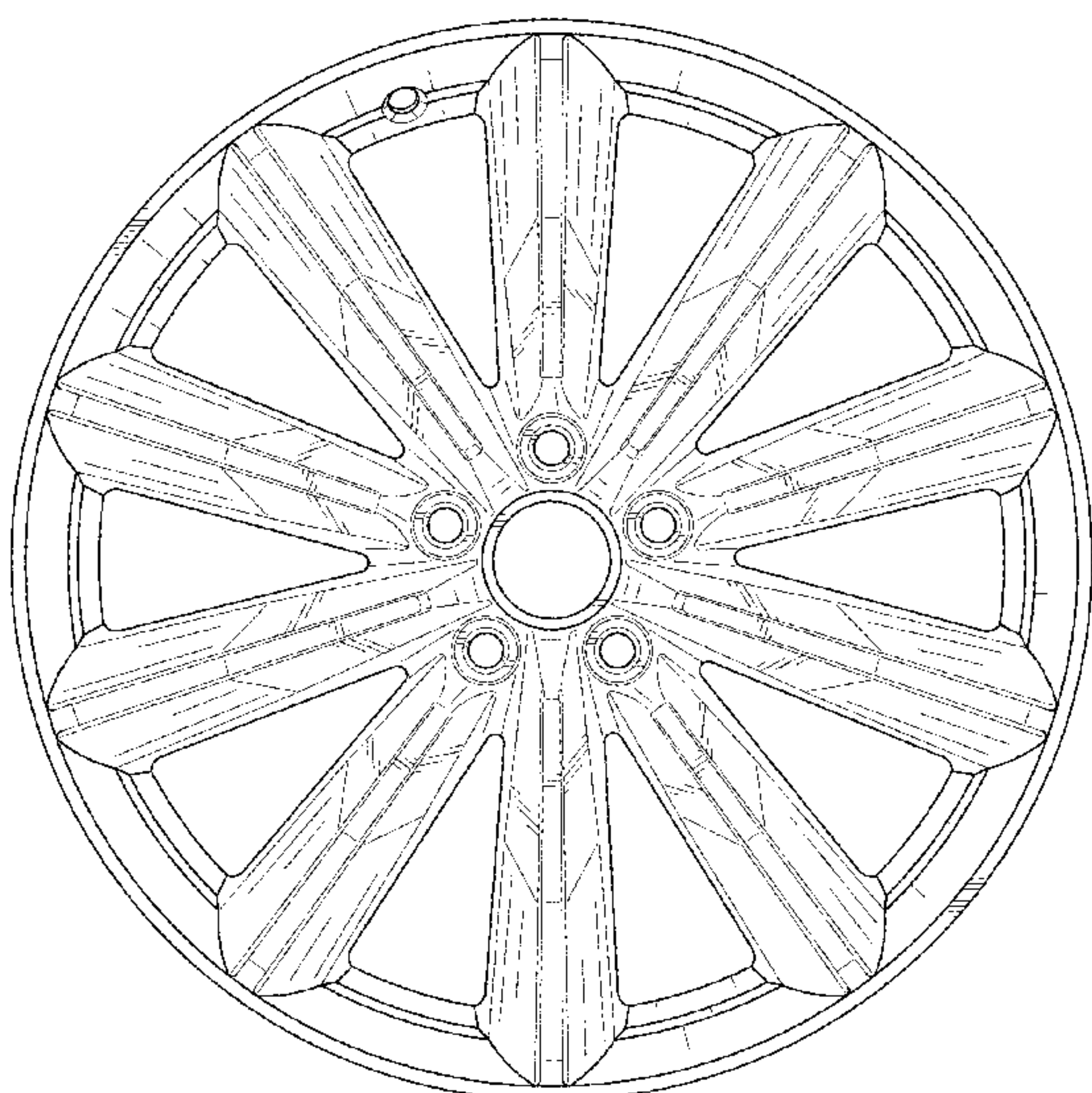
(57) **CLAIM**

The ornamental design for a vehicle wheel rim, as shown and described.

**DESCRIPTION**

FIG. 1 is a front view of the vehicle wheel rim, of the present invention; and, FIG. 2 is a front, left side perspective view thereof.

**1 Claim, 2 Drawing Sheets**



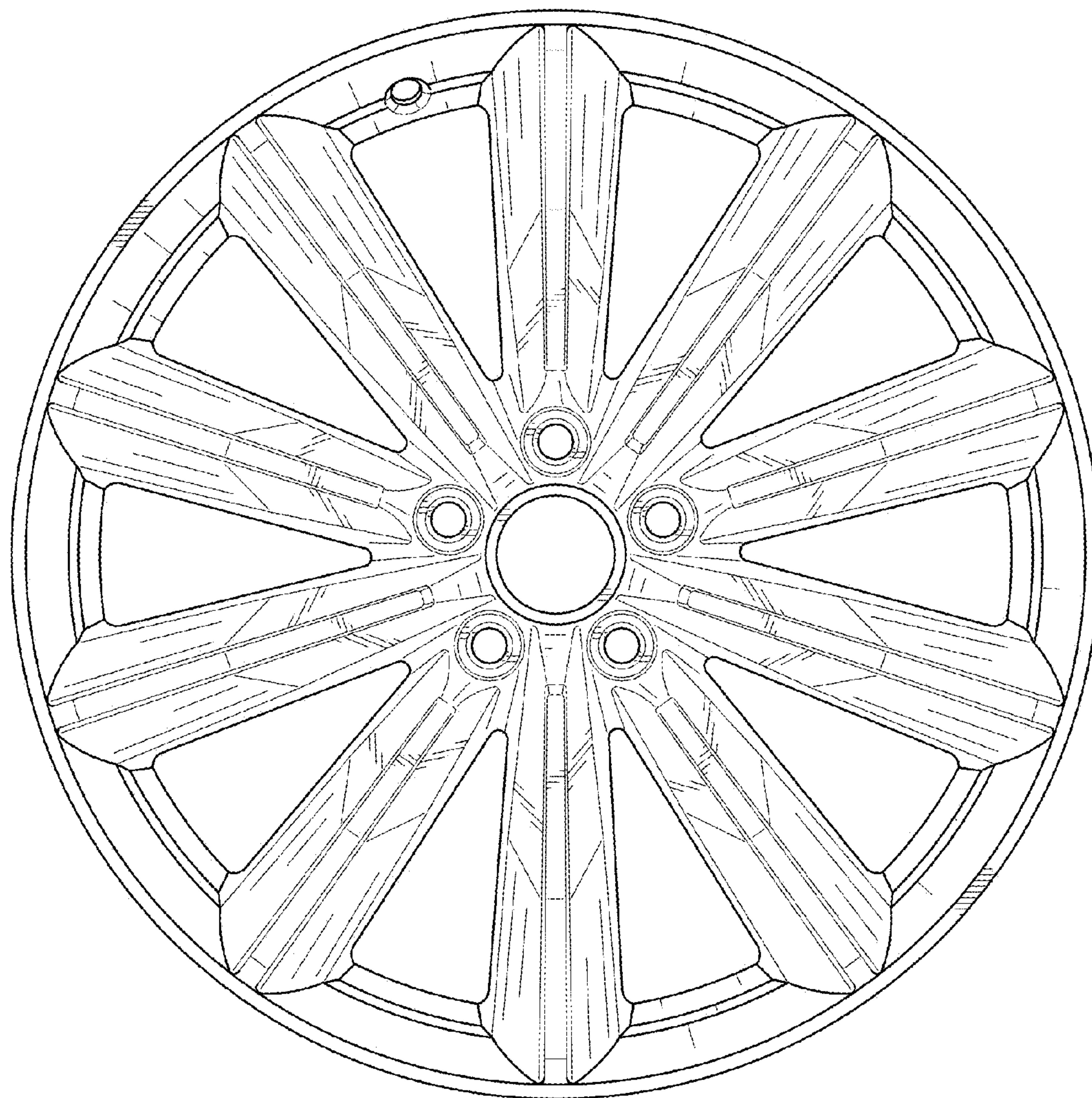


FIG. 1



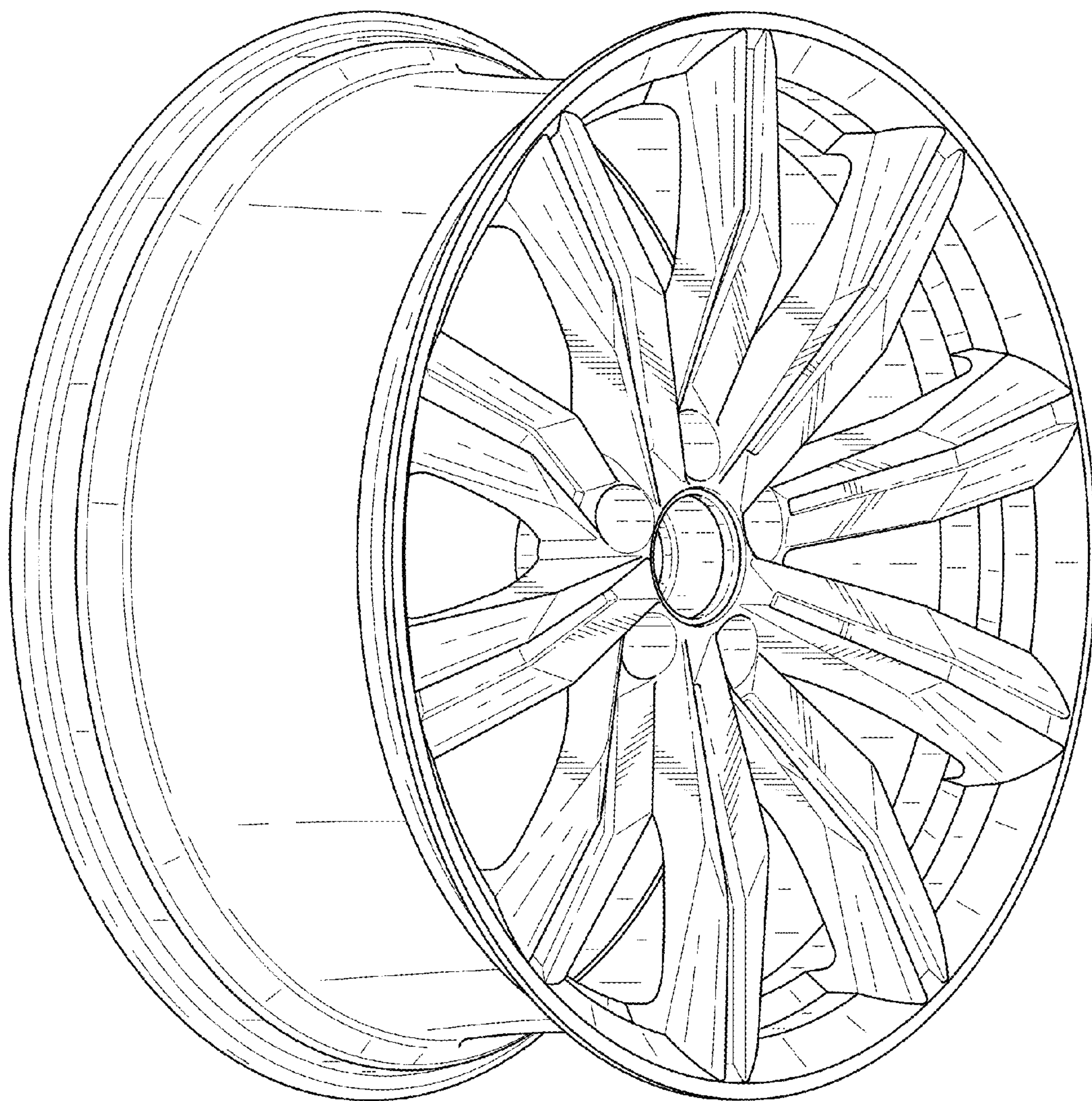


FIG. 2