



US00D754582S

(12) **United States Design Patent**
Kobayashi

(10) **Patent No.:** **US D754,582 S**

(45) **Date of Patent:** **** Apr. 26, 2016**

(54) **WHEEL FOR AN AUTOMOBILE**

(71) Applicant: **Fuji Jukogyo Kabushiki Kaisha**, Tokyo (JP)

(72) Inventor: **Hiroyuki Kobayashi**, Tokyo (JP)

(73) Assignee: **Fuji Jukogyo Kabushiki Kaisha**, Tokyo (JP)

(**) Term: **14 Years**

(21) Appl. No.: **29/494,893**

(22) Filed: **Jun. 25, 2014**

(30) **Foreign Application Priority Data**

Dec. 25, 2013 (JP) 2013-030329

(51) **LOC (10) Cl.** **12-16**

(52) **U.S. Cl.**

USPC **D12/209**

(58) **Field of Classification Search**

USPC D12/204–213

CPC B60B 7/00; B60B 7/02; B60B 7/04;
B60B 7/01; B60B 7/06; B60B 3/02; B60B
3/04; B60B 3/06; B60B 3/10; B60B 1/00;
B60B 1/08; B60B 1/10; B60B 1/12

See application file for complete search history.

(56) **References Cited**

U.S. PATENT DOCUMENTS

D504,097 S *	4/2005	Markefka	D12/209
D512,007 S *	11/2005	Sze	D12/209
D585,805 S *	2/2009	Friedrich et al.	D12/209
D593,018 S *	5/2009	Juergens et al.	D12/209
D593,920 S *	6/2009	Juergens et al.	D12/209
D617,712 S *	6/2010	Juergens et al.	D12/209
D618,152 S *	6/2010	Juergens et al.	D12/209
D660,762 S *	5/2012	Gabath	D12/209
D734,704 S *	7/2015	Juergens et al.	D12/211

* cited by examiner

Primary Examiner — Stacia Cadmus

(74) *Attorney, Agent, or Firm* — Schiff Hardin LLP

(57) **CLAIM**

We claim the ornamental design for a wheel for an automobile thereof, as shown and described.

DESCRIPTION

FIG. 1 is a front perspective view for a “wheel for an automobile” showing my new design, FIG. 2 is a front view thereof, FIG. 3 is a rear view thereof, FIG. 4 is a left-side view thereof, FIG. 5 is a right-side view thereof, FIG. 6 is a top view thereof; and, FIG. 7 is a bottom view thereof.

The rear view of the wheel for an automobile forms no part of the claimed design. The lighter grey scale portions shown in the FIG. 3 illustrate environmental structure for the wheel for an automobile that is non-enabled subject matter of the claimed design.

1 Claim, 7 Drawing Sheets

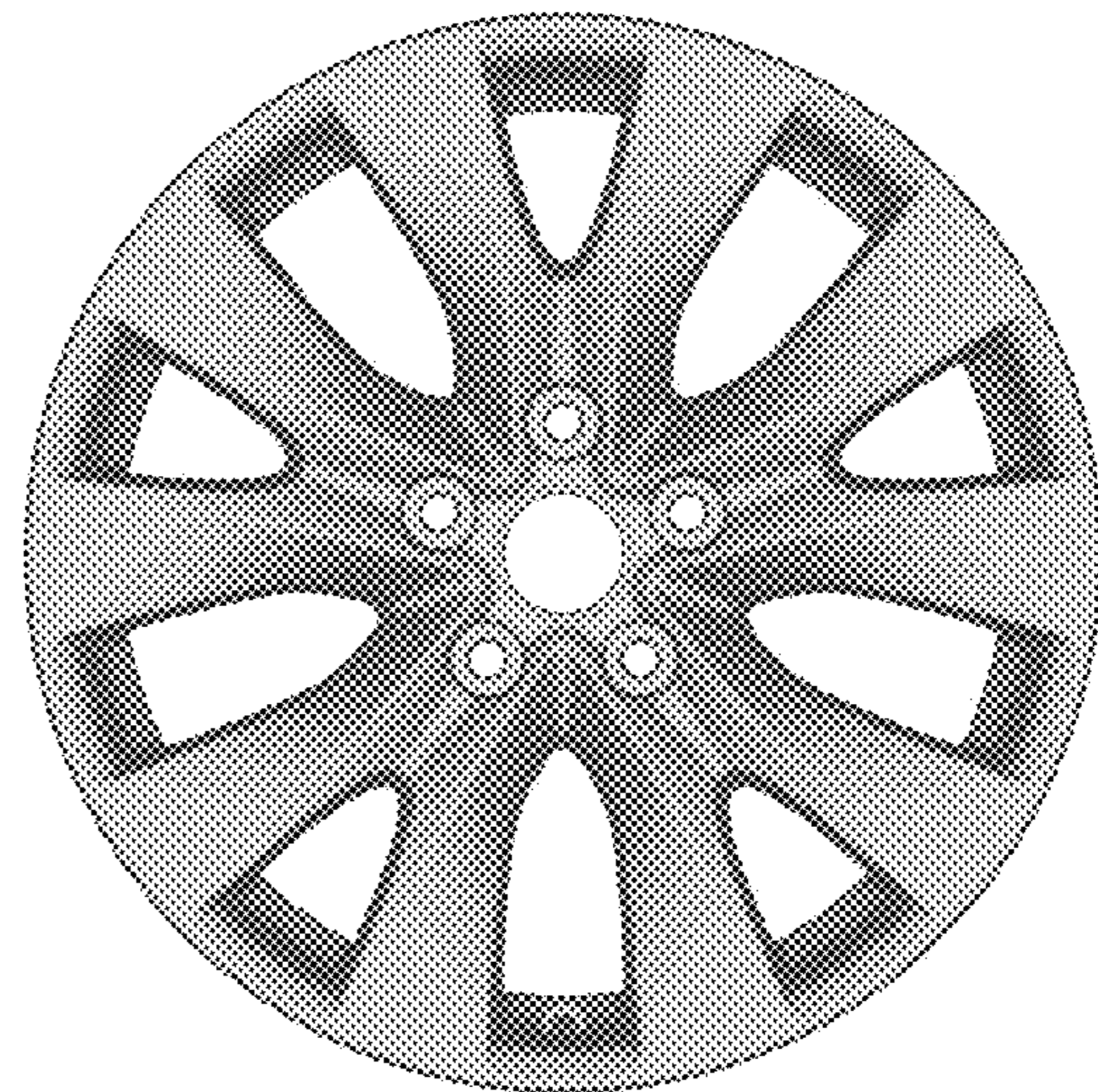


Fig. 1



Fig. 2



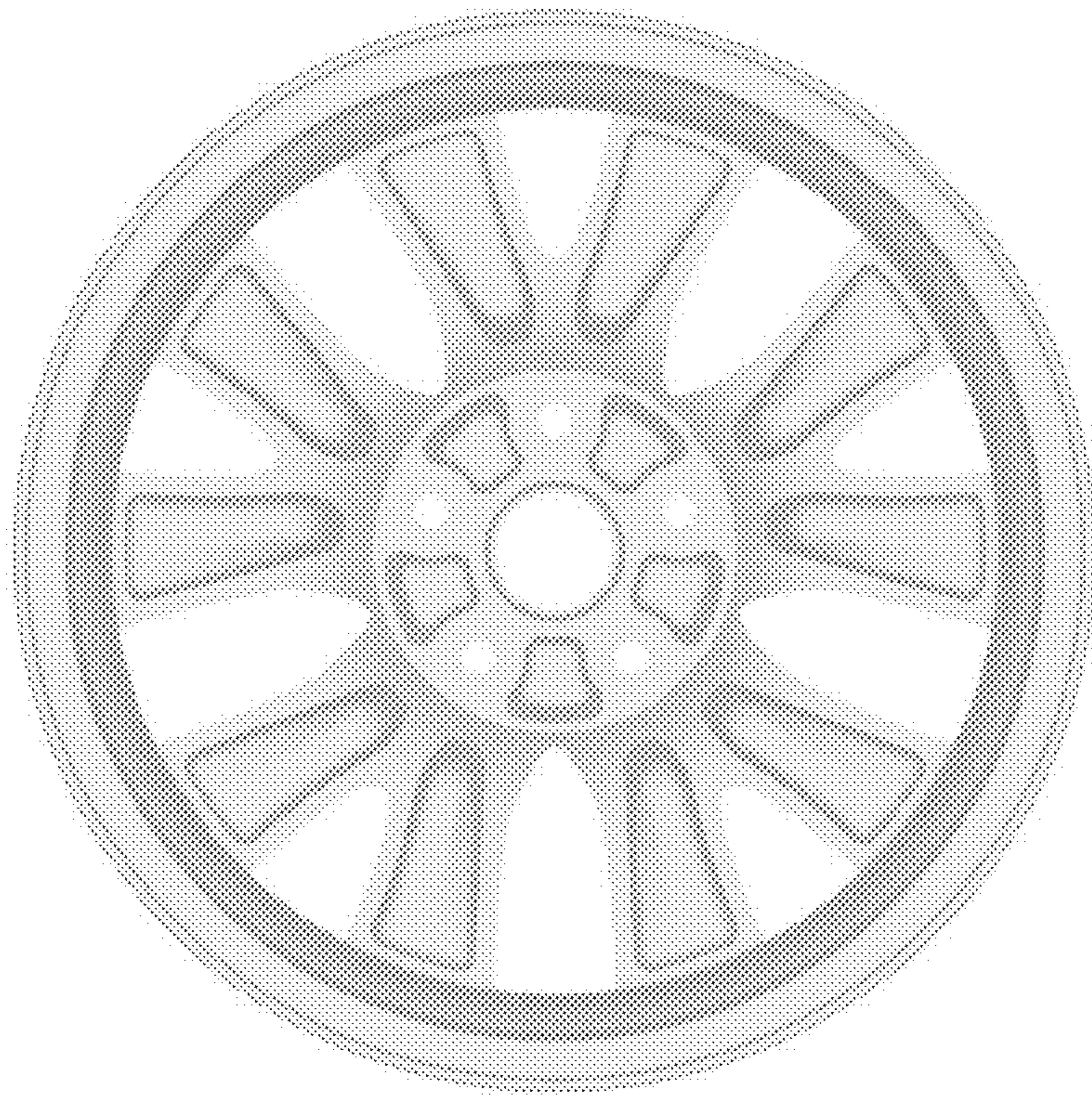


Fig. 3

Fig. 4

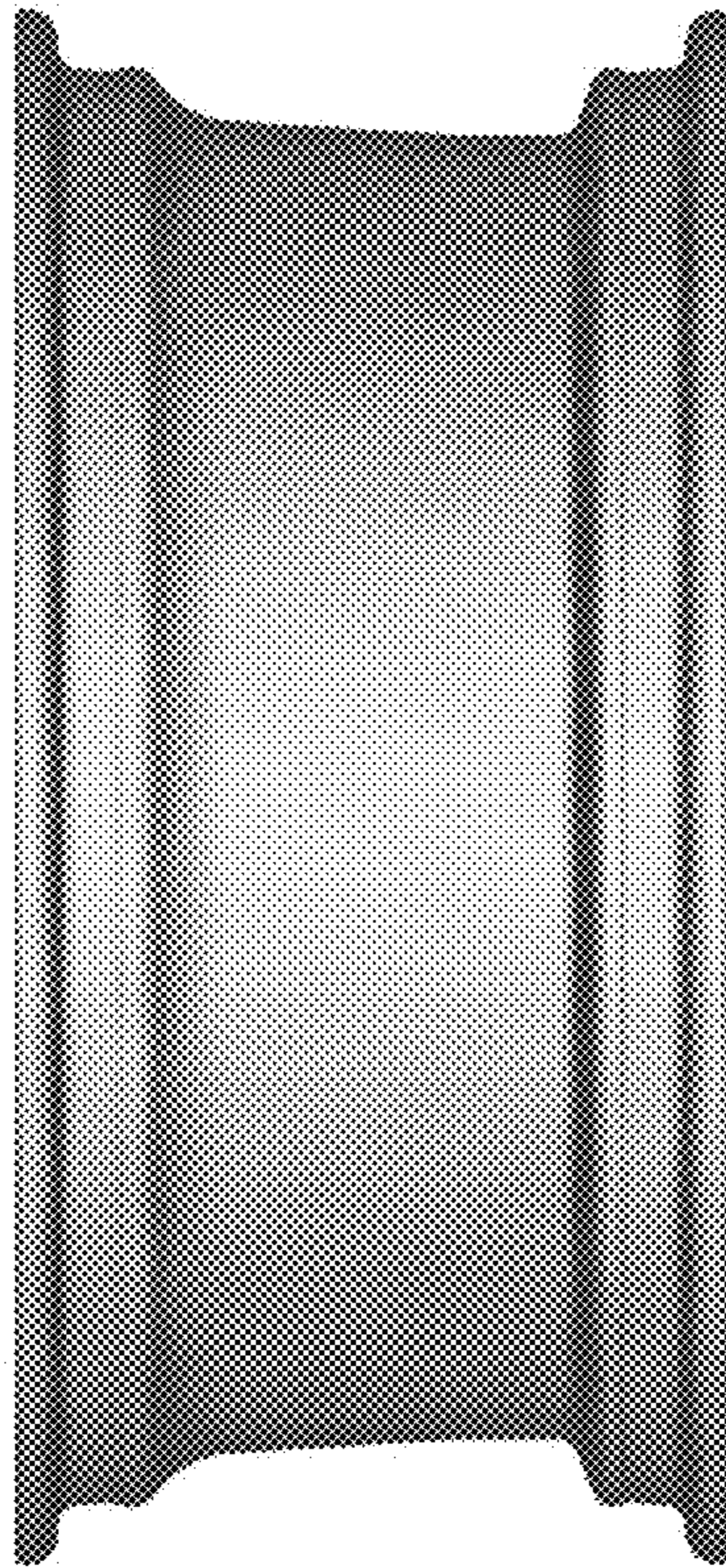


Fig. 5

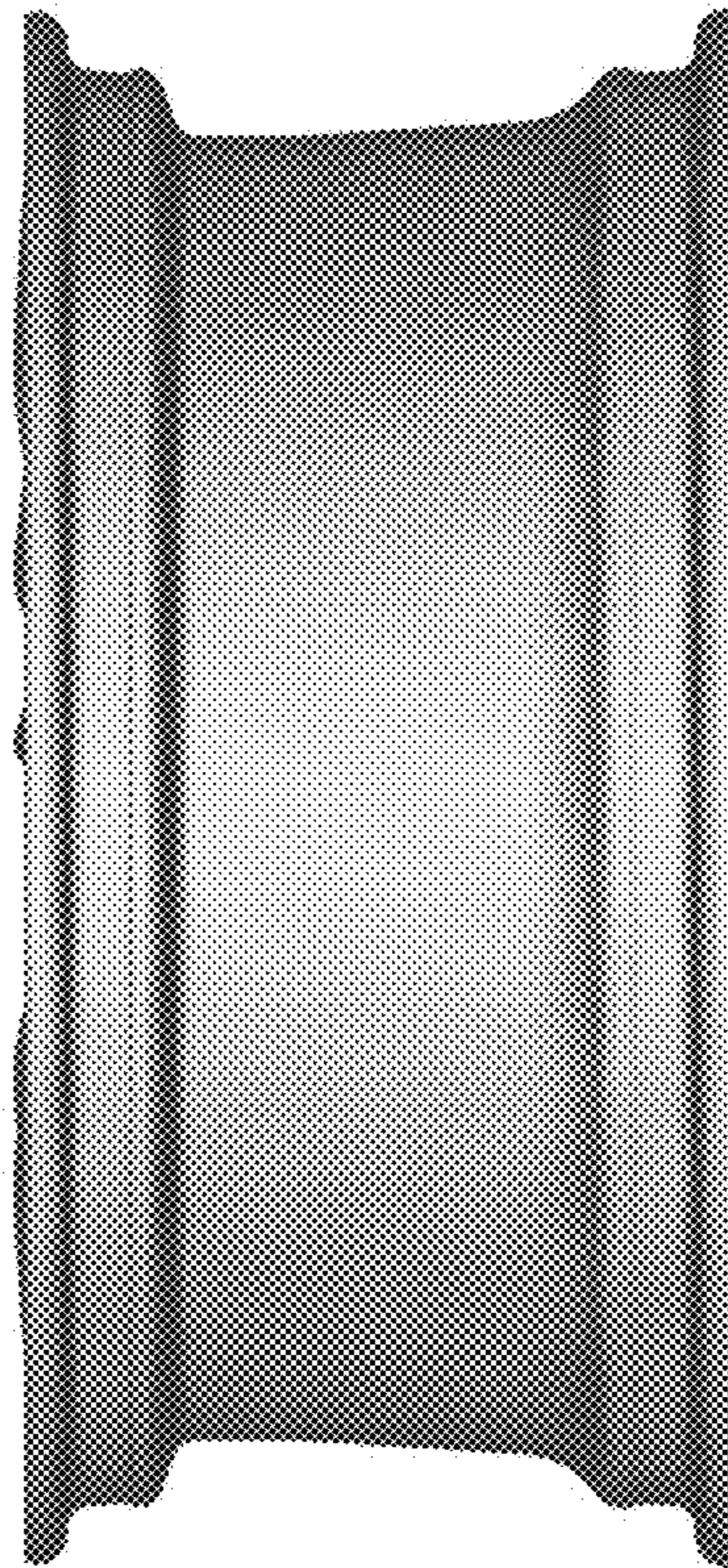


Fig. 6

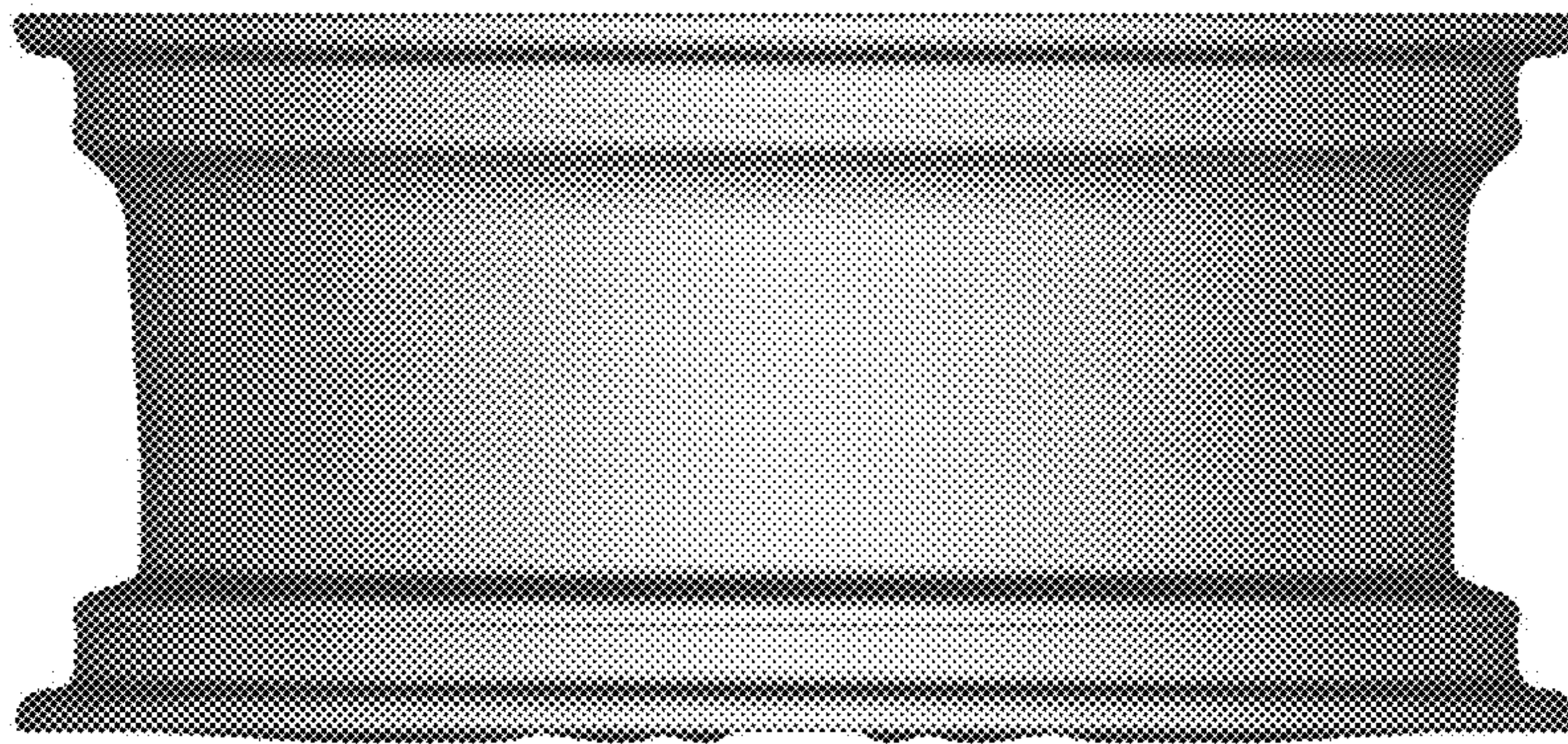


Fig. 7

